

US00D759599S

(12) **United States Design Patent**
Kobayashi

(10) **Patent No.:** **US D759,599 S**

(45) **Date of Patent:** **** Jun. 21, 2016**

(54) **ELECTRICAL CONNECTOR**

(56) **References Cited**

(71) Applicant: **Hosiden Corporation**, Yao-shi, Osaka
(JP)

U.S. PATENT DOCUMENTS

(72) Inventor: **Hideto Kobayashi**, Isesaki (JP)

D655,678 S *	3/2012	Kobayashi	D13/147
D665,358 S *	8/2012	Kobayashi	D13/147
D724,541 S *	3/2015	Endo	D13/147
D742,321 S *	11/2015	Endo	D13/147
D748,587 S *	2/2016	Endo	D13/147

(73) Assignee: **HOSIDEN CORPORATION**, Yao-Shi
(JP)

* cited by examiner

(**) Term: **14 Years**

Primary Examiner — Daniel Bui

(21) Appl. No.: **29/523,165**

(74) *Attorney, Agent, or Firm* — Rankin, Hill & Clark LLP

(22) Filed: **Apr. 7, 2015**

(57) **CLAIM**

The ornamental design for an electrical connector, as shown and described.

(30) **Foreign Application Priority Data**

DESCRIPTION

Nov. 25, 2014	(JP)	2014-026201
Nov. 25, 2014	(JP)	2014-026202
Nov. 25, 2014	(JP)	2014-026203

FIG. 1 is a front, left side and top perspective view of an electrical connector showing my new design;
 FIG. 2 is a rear, right side and top perspective view thereof;
 FIG. 3 is a front elevation view thereof, a rear elevation view being a mirror image thereof;
 FIG. 4 is a left side view thereof;
 FIG. 5 is a right side view thereof;
 FIG. 6 is a top plan view thereof; and,
 FIG. 7 is a bottom plan view thereof.
 The broken line in FIG. 4 represents unclaimed environment only and forms no part of the claimed design.

(51) **LOC (10) Cl.** **13-03**

(52) **U.S. Cl.**
USPC **D13/147**

(58) **Field of Classification Search**
USPC D13/147, 154, 184, 199
See application file for complete search history.

1 Claim, 3 Drawing Sheets

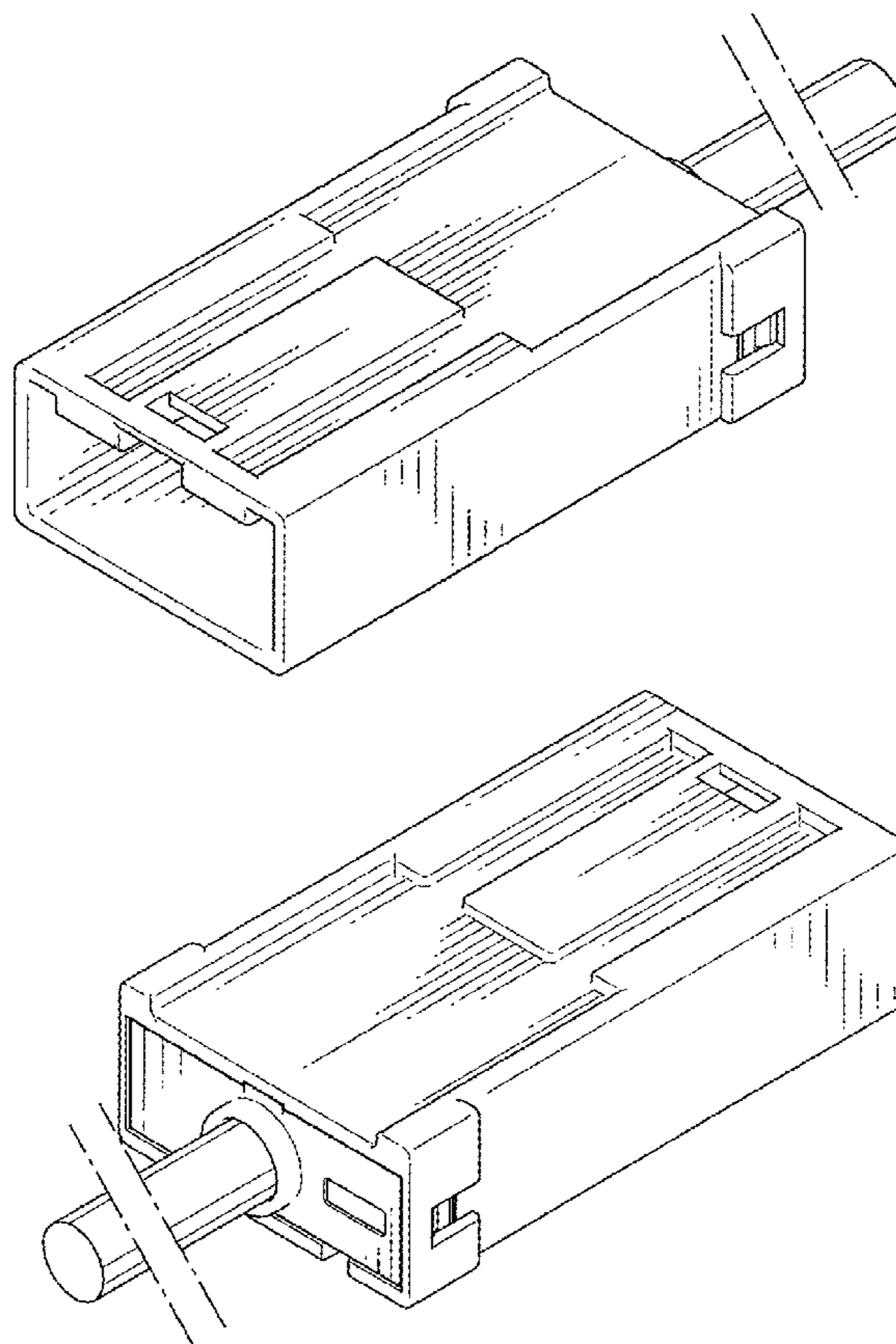


Fig. 1

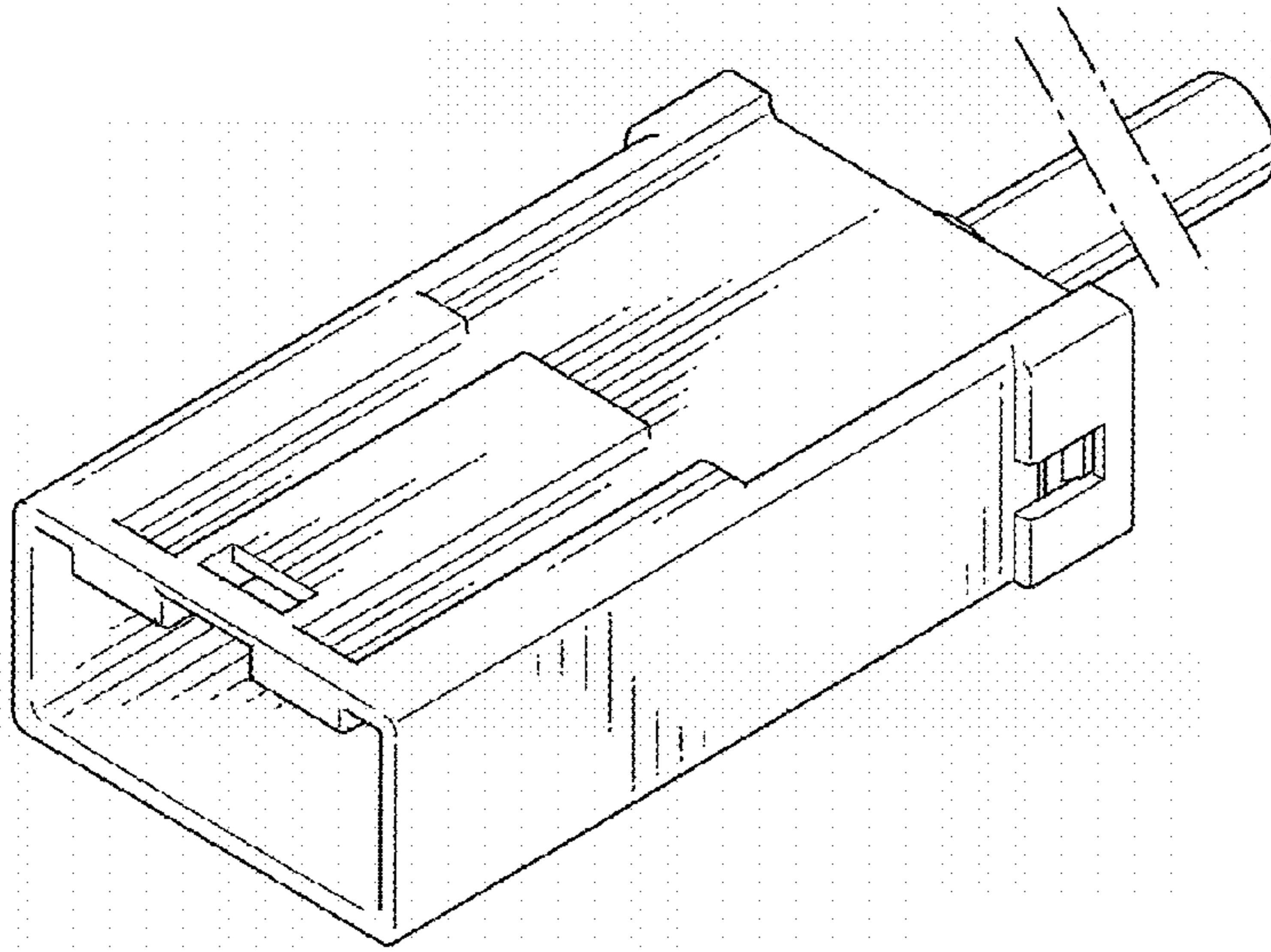


Fig. 2

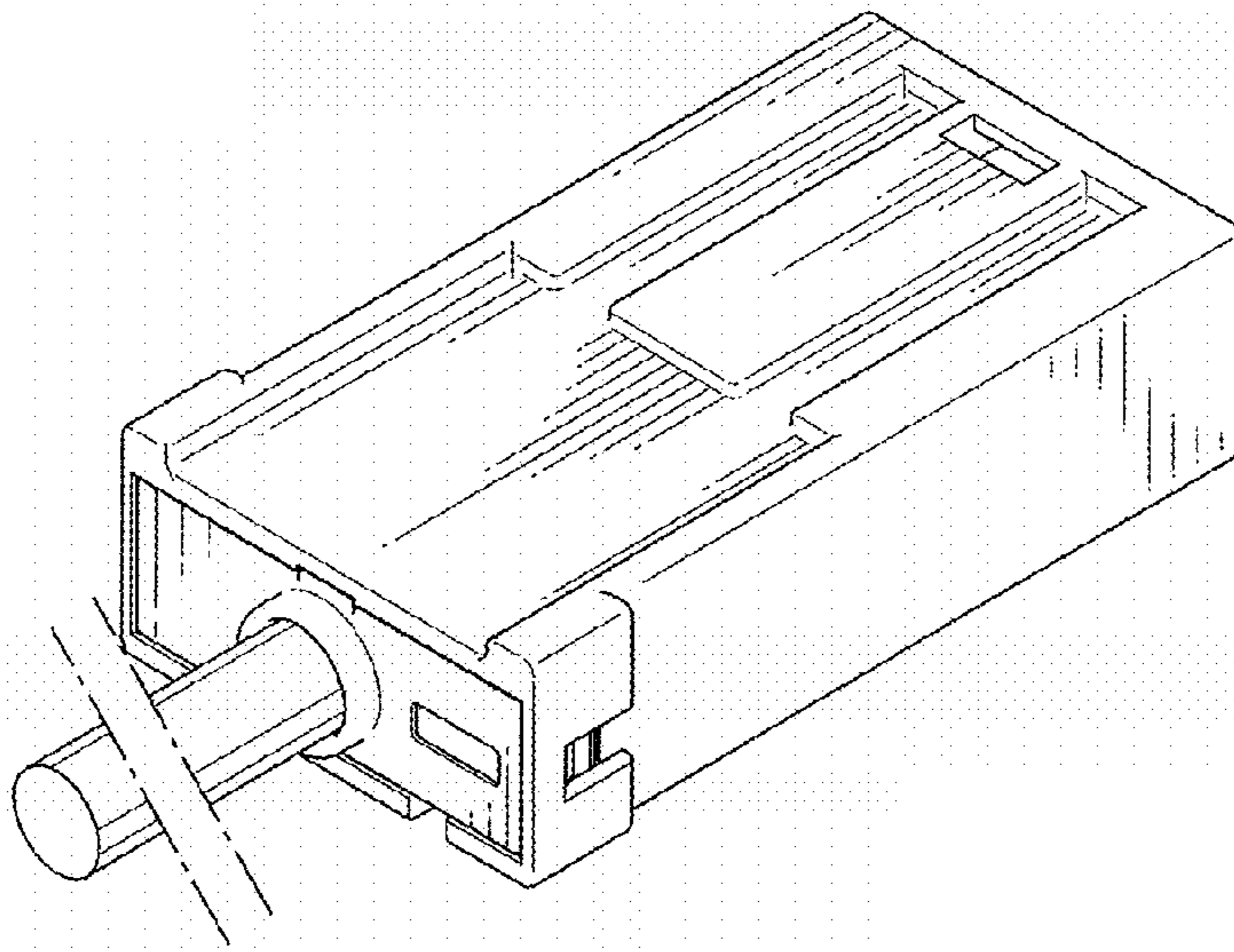


Fig. 3

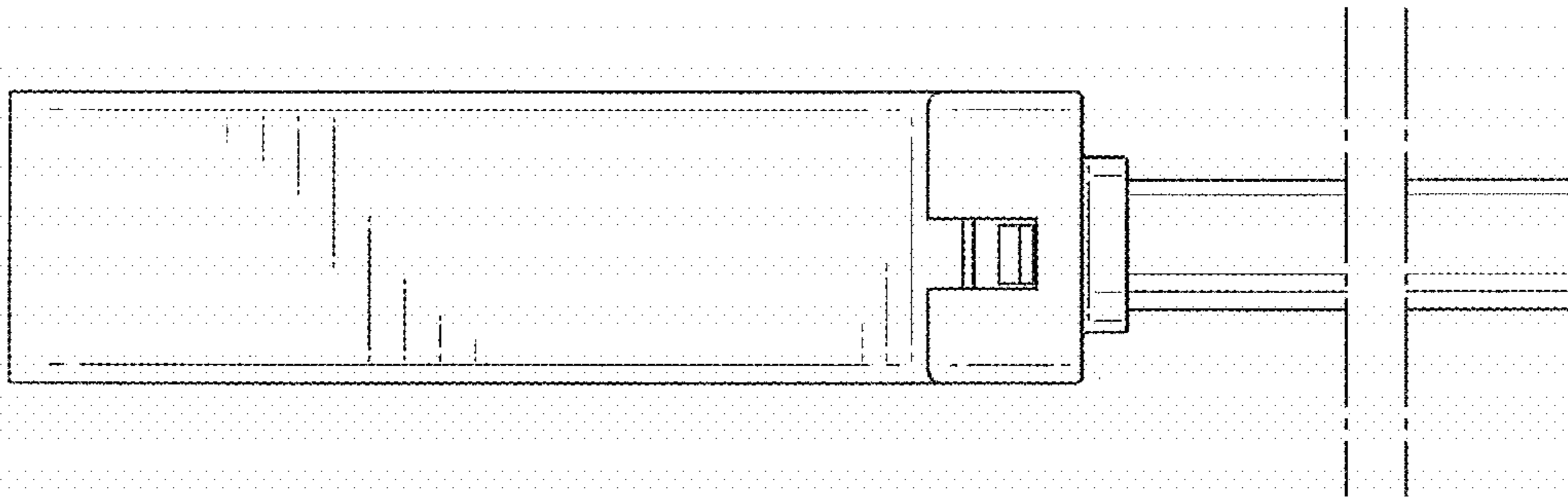


Fig. 4

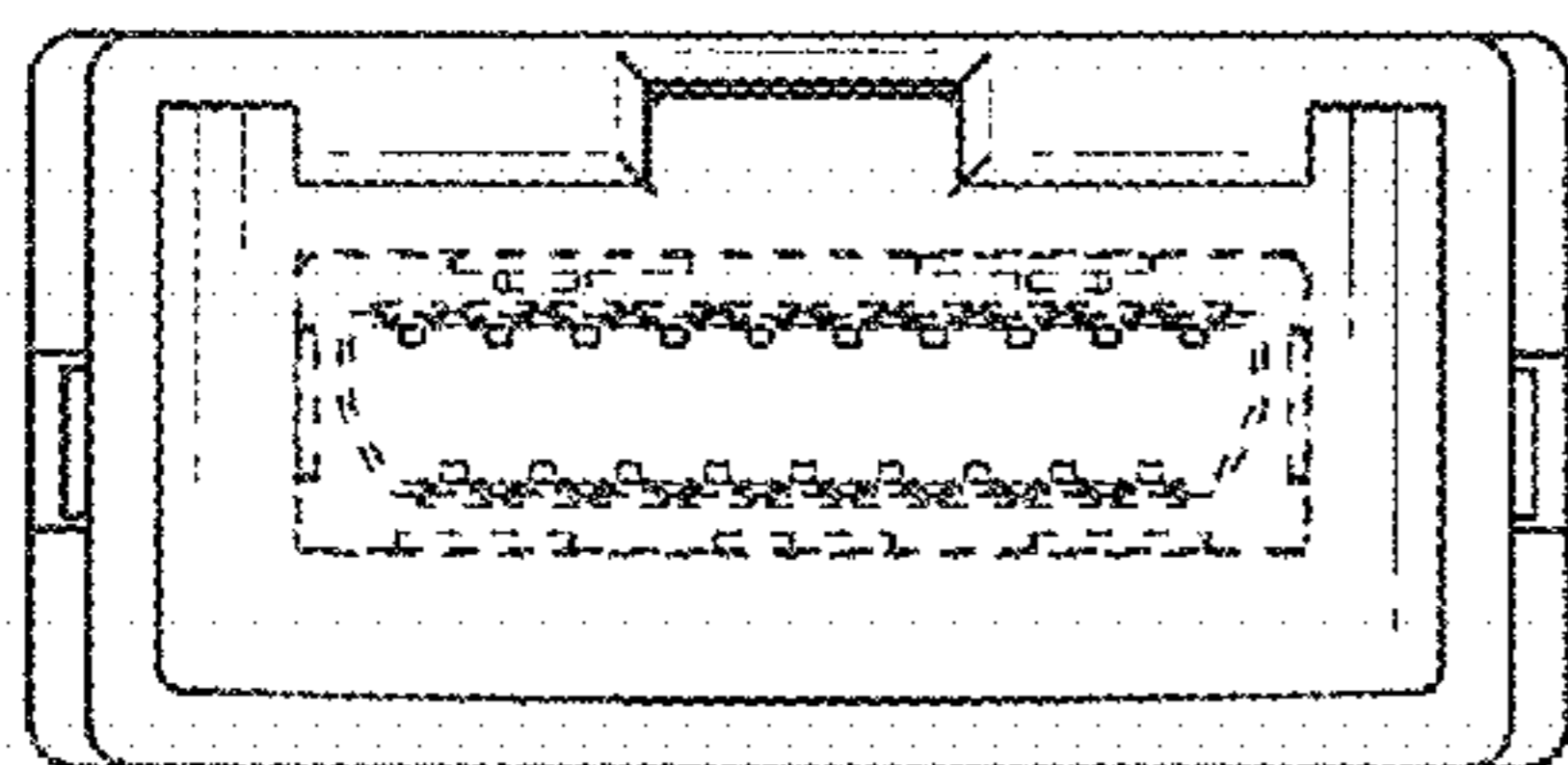


Fig. 5

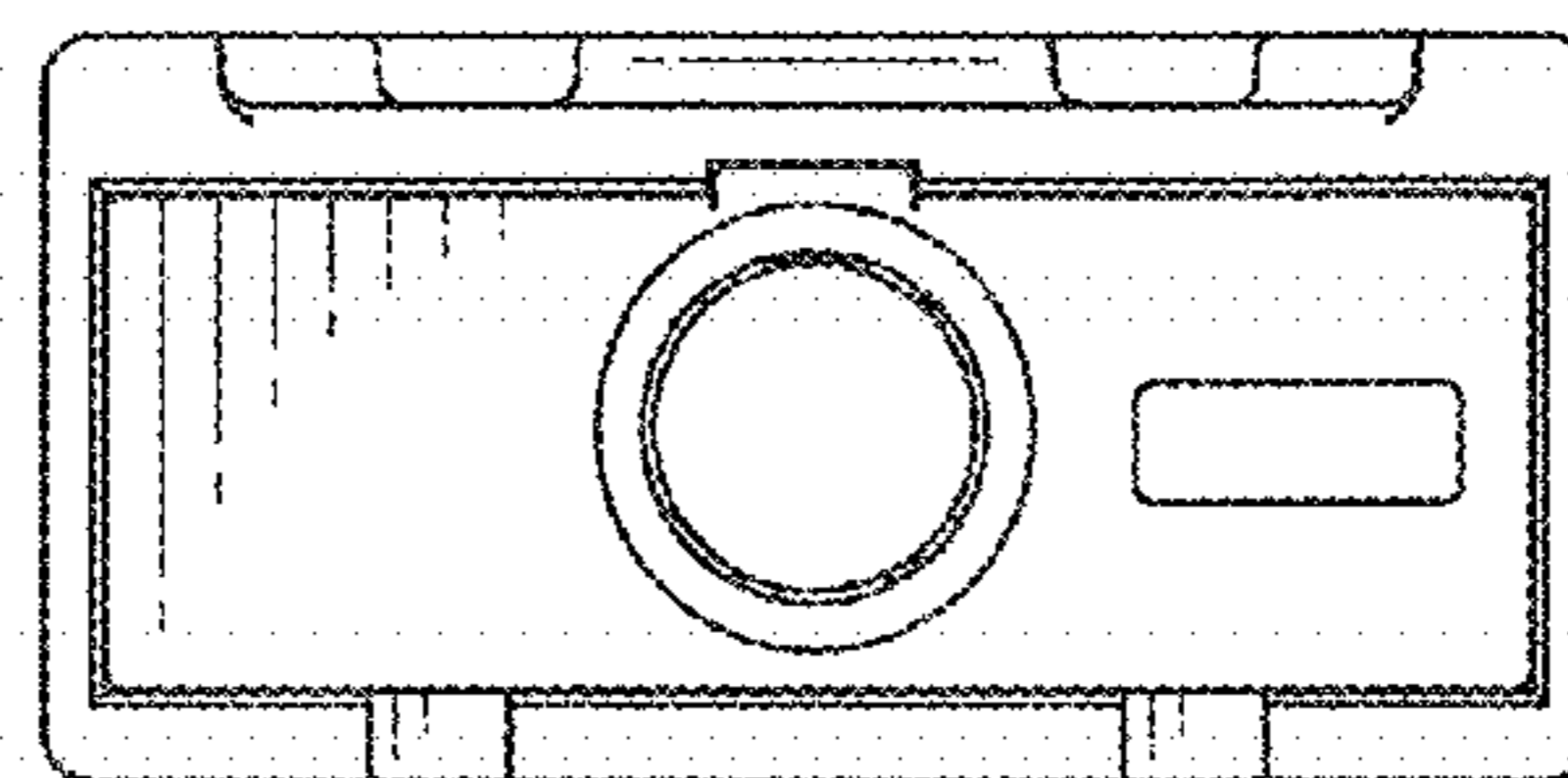


Fig. 6

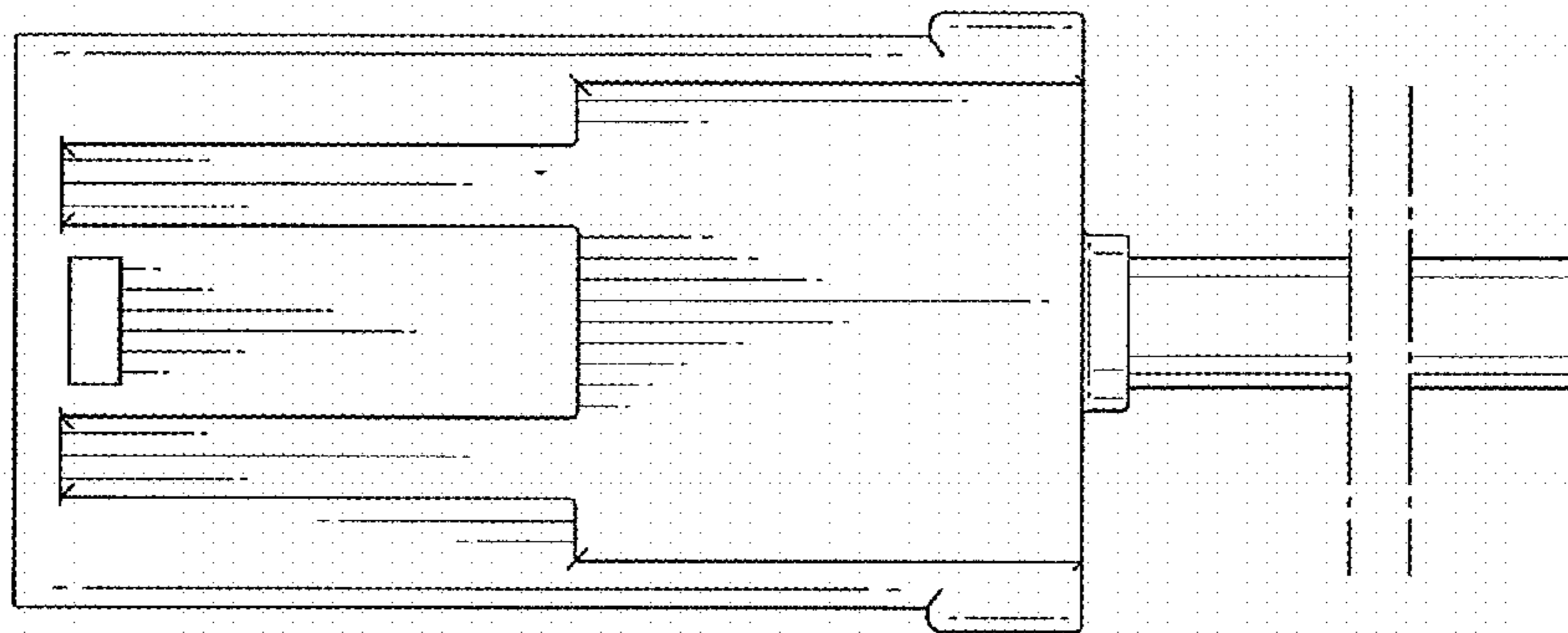


Fig. 7

