



US00D759598S

(12) **United States Design Patent**  
**Aoki**

(10) **Patent No.:** **US D759,598 S**  
(45) **Date of Patent:** **\*\* Jun. 21, 2016**

(54) **ADAPTOR FOR CONNECTING A FLAT  
CIRCUIT DEVICE TO AN ELECTRICAL  
CONNECTOR**

FOREIGN PATENT DOCUMENTS

(71) Applicant: **DAI-ICHI SEIKO CO., LTD.**, Kyoto  
(JP)

JP	D1344944 S	10/2008
JP	D1351217 S	1/2009
JP	D1355630 S	3/2009
JP	D1385597 S	3/2010
JP	D1407136 S	1/2011

(72) Inventor: **Hideki Aoki**, Ogoori (JP)

\* cited by examiner

(73) Assignee: **DAI-ICHI SEIKO CO., LTD.**, Kyoto  
(JP)

*Primary Examiner* — Daniel Bui

(74) *Attorney, Agent, or Firm* — Studebaker & Brackett PC

(\*\*) Term: **14 Years**

(57) **CLAIM**

The ornamental design for an adaptor for connecting a flat circuit device to an electrical connector, as shown and described.

(21) Appl. No.: **29/515,382**

(22) Filed: **Jan. 22, 2015**

**DESCRIPTION**

(30) **Foreign Application Priority Data**

Jul. 23, 2014 (JP) ..... 2014-015923

(51) **LOC (10) Cl.** ..... **13-03**

(52) **U.S. Cl.**  
USPC ..... **D13/147**

(58) **Field of Classification Search**  
USPC ..... D13/147, 154, 184, 199  
See application file for complete search history.

FIG. 1 is a front, top and left side perspective view of an adaptor for connecting a flat circuit device to an electrical coaxial, which shows my new design;  
FIG. 2 is a front, bottom and left side perspective view thereof;  
FIG. 3 is a top plan view thereof;  
FIG. 4 is a bottom plan view thereof;  
FIG. 5 is a front view thereof;  
FIG. 6 is a rear view thereof;  
FIG. 7 is a right side view thereof, the left side view is a mirror image thereof; and,  
FIG. 8 is a front, top and left side perspective view thereof, in use condition.

(56) **References Cited**

U.S. PATENT DOCUMENTS

D480,052 S *	9/2003	Hisamatsu	.....	D13/147
D597,488 S *	8/2009	Kikuchi	.....	D13/147
D624,506 S *	9/2010	Yotsutani	.....	D13/147
D688,209 S *	8/2013	Nakajima	.....	D13/147

The broken line shown in the figure drawing views is included to show unclaimed subject matter only and forms no part of the claimed design.

**1 Claim, 8 Drawing Sheets**

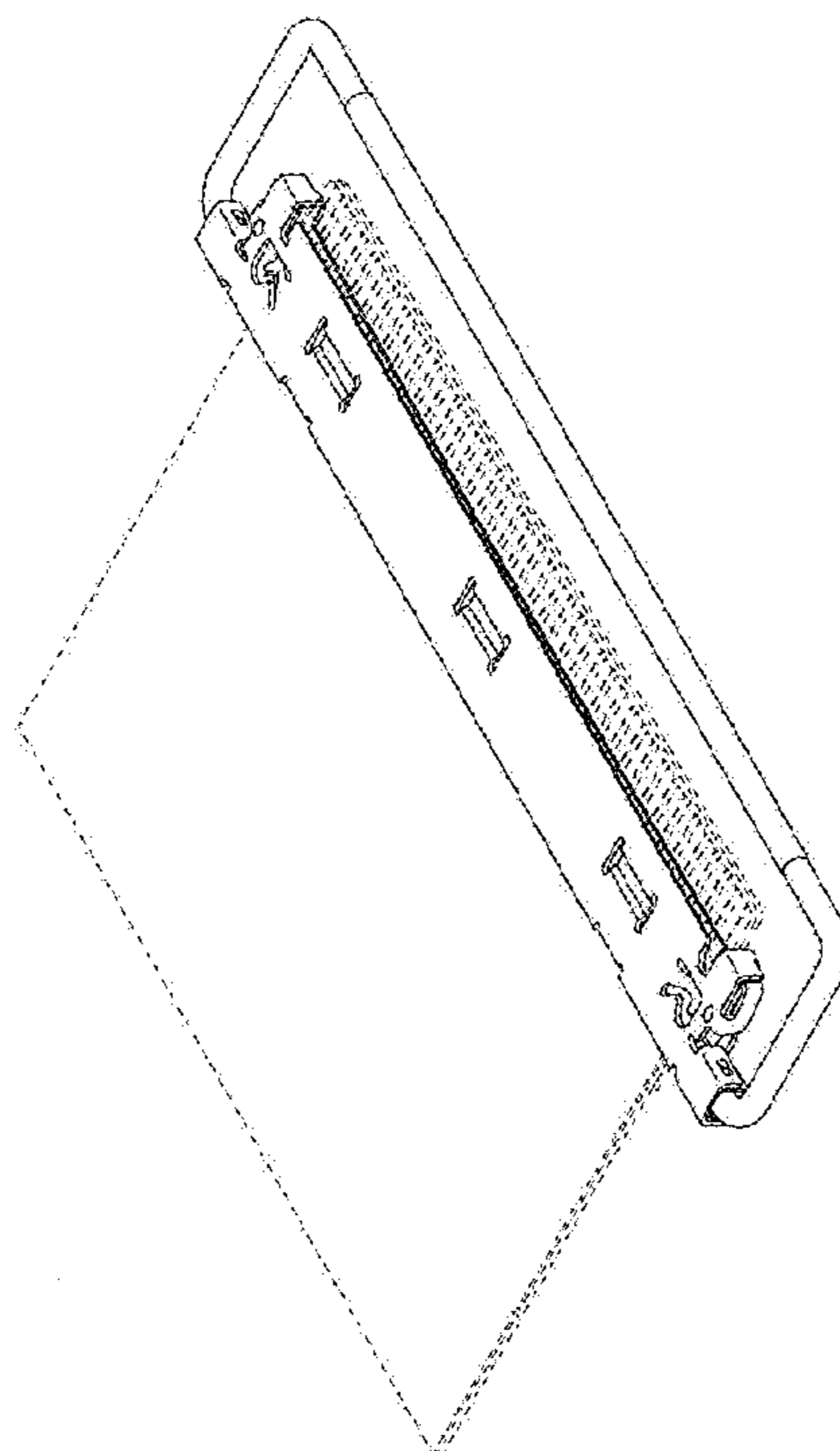


FIG. 1

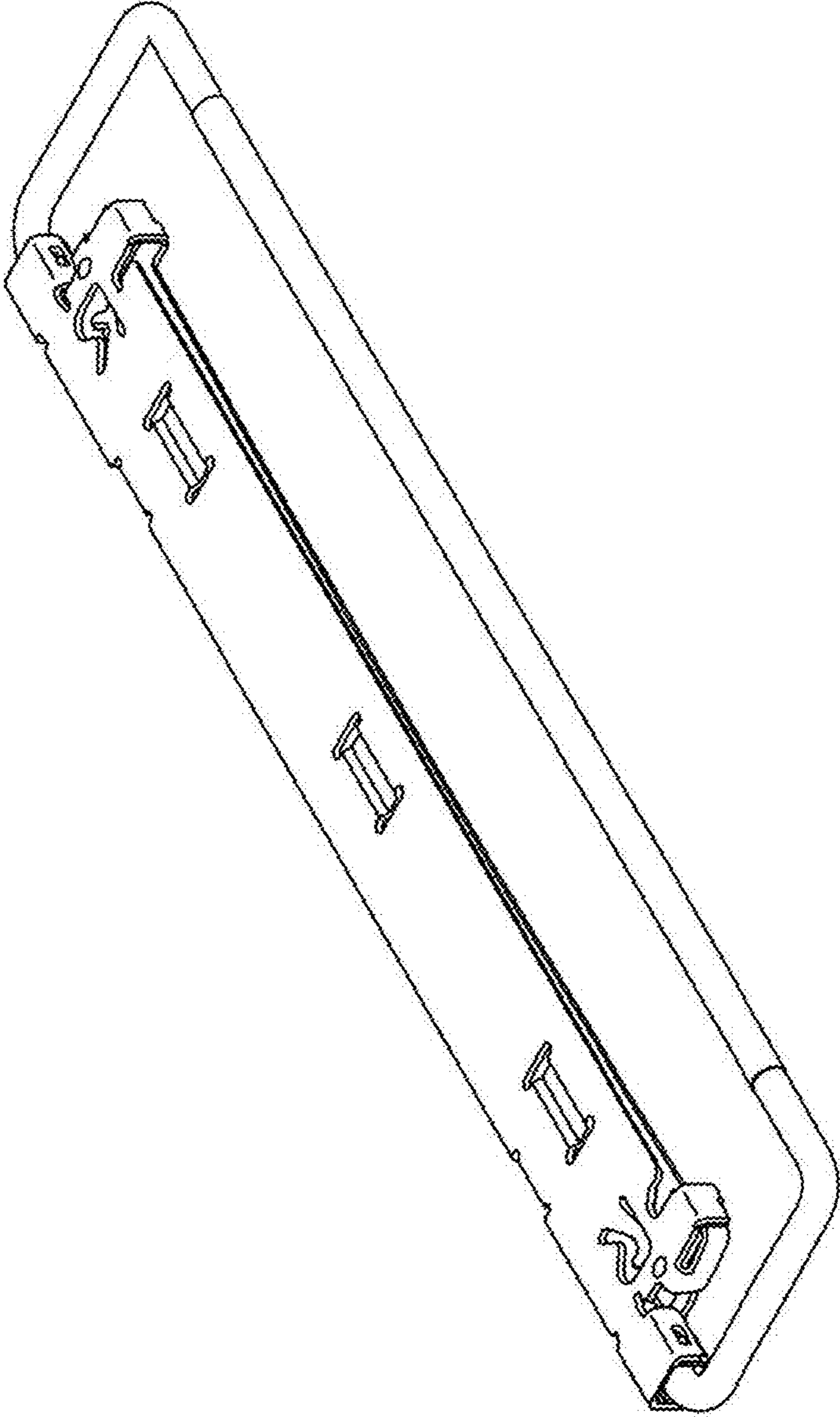


FIG. 2

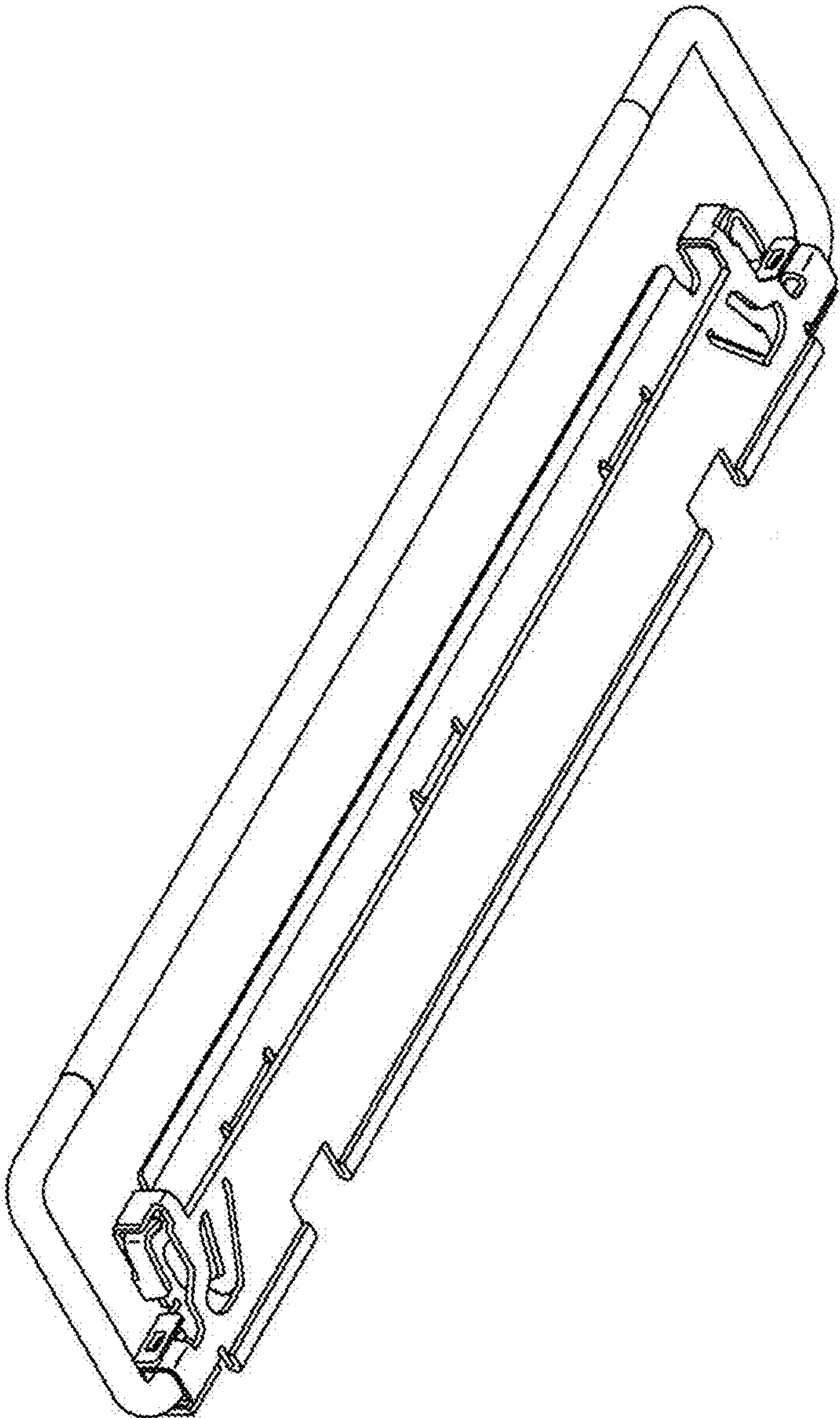


FIG. 3

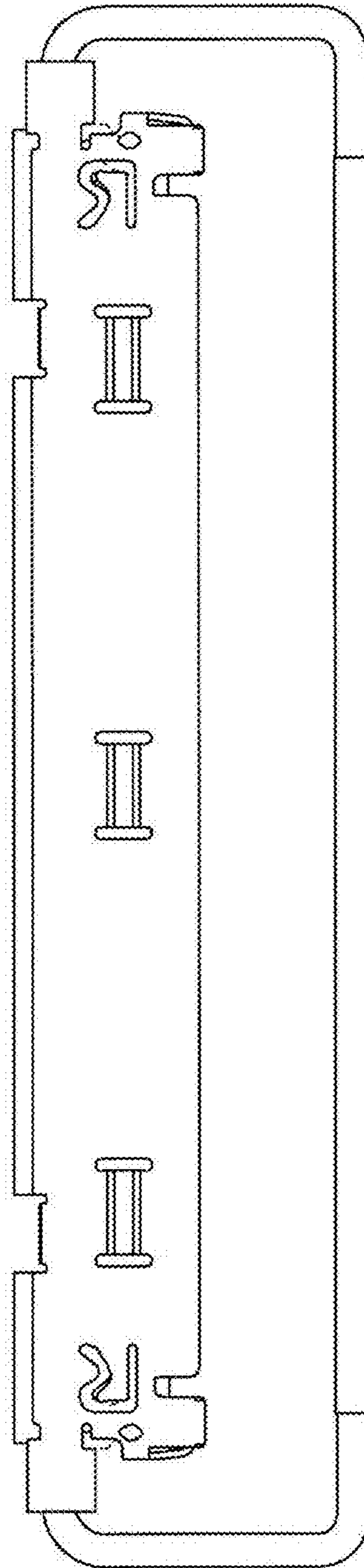


FIG. 4

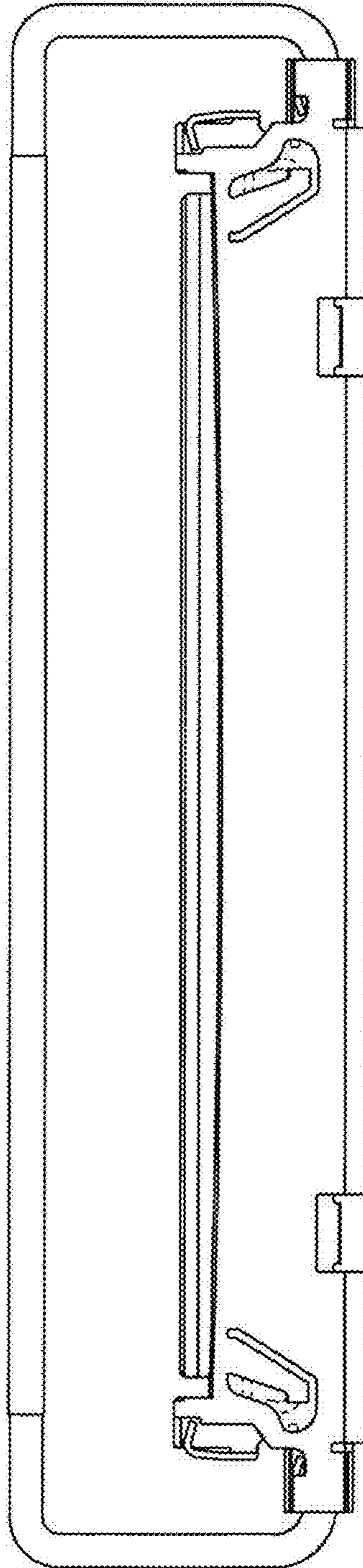




FIG. 5

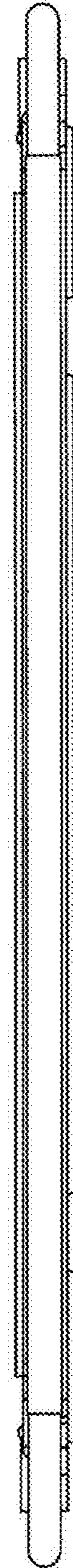


FIG. 6



FIG. 7





FIG. 8

