

US00D759597S

(12) **United States Design Patent**  
**Andre et al.**

(10) **Patent No.:** **US D759,597 S**  
(45) **Date of Patent:** **\*\* Jun. 21, 2016**

- (54) **ELECTRONIC DEVICE**
- (71) Applicant: **Apple Inc.**, Cupertino, CA (US)
- (72) Inventors: **Bartley K. Andre**, Palo Alto, CA (US); **Zheng Gao**, San Jose, CA (US); **Paul Joseph Hack**, San Jose, CA (US); **Bradley Joseph Hamel**, Redwood City, CA (US); **William Francis Leggett**, San Jose, CA (US); **Timothy Roger Milberger**, Sunnyvale, CA (US); **Mikael Silvano**, San Francisco, CA (US)
- (73) Assignee: **Apple Inc.**, Cupertino, CA (US)
- (\*\*) Term: **14 Years**
- (21) Appl. No.: **29/510,715**
- (22) Filed: **Dec. 2, 2014**

**Related U.S. Application Data**

- (63) Continuation of application No. 29/424,272, filed on Jun. 10, 2012, now Pat. No. Des. 721,331.
- (51) **LOC (10) Cl.** ..... **13-03**
- (52) **U.S. Cl.**  
USPC ..... **D13/147**
- (58) **Field of Classification Search**  
USPC ..... D13/147, 154, 184, 194  
See application file for complete search history.

(56) **References Cited**

**U.S. PATENT DOCUMENTS**

2,034,273 A	3/1936	Smith
4,600,810 A	7/1986	Feldman et al.
D330,704 S	11/1992	Wagner
5,179,501 A	1/1993	Ocken et al.
D333,293 S	2/1993	Ashida
5,267,882 A	12/1993	Davis
D348,909 S	7/1994	Nakanishi
D349,099 S	7/1994	Robertson, Jr. et al.
D349,526 S	8/1994	Nakanishi

5,364,292 A	11/1994	Bethurum
D354,315 S	1/1995	Nakanishi
D366,242 S	1/1996	Goto
D372,460 S	8/1996	Aramaki
D381,629 S	7/1997	Goto
D409,574 S	5/1999	Shimojo et al.
D415,111 S	10/1999	Lee
D422,559 S	4/2000	Tsai
D422,560 S	4/2000	Lok

(Continued)

**OTHER PUBLICATIONS**

Apple Inc., MacBook Pro, www.apple.com, available as early as Jan. 14, 2006.

(Continued)

*Primary Examiner* — Daniel Bui

(74) *Attorney, Agent, or Firm* — Saidman DesignLaw Group, LLC

(57) **CLAIM**

The ornamental design for an electronic device, as shown and described.

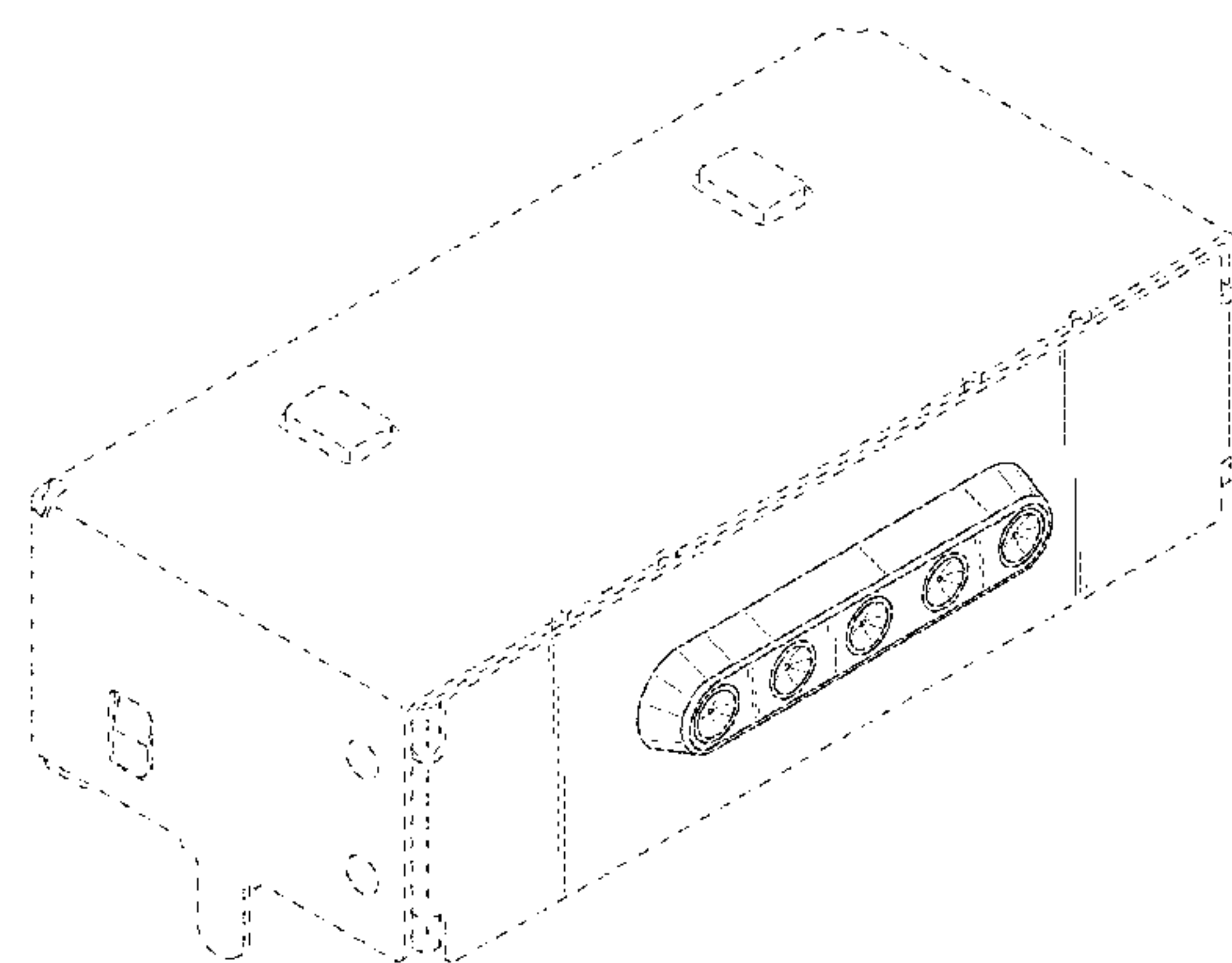
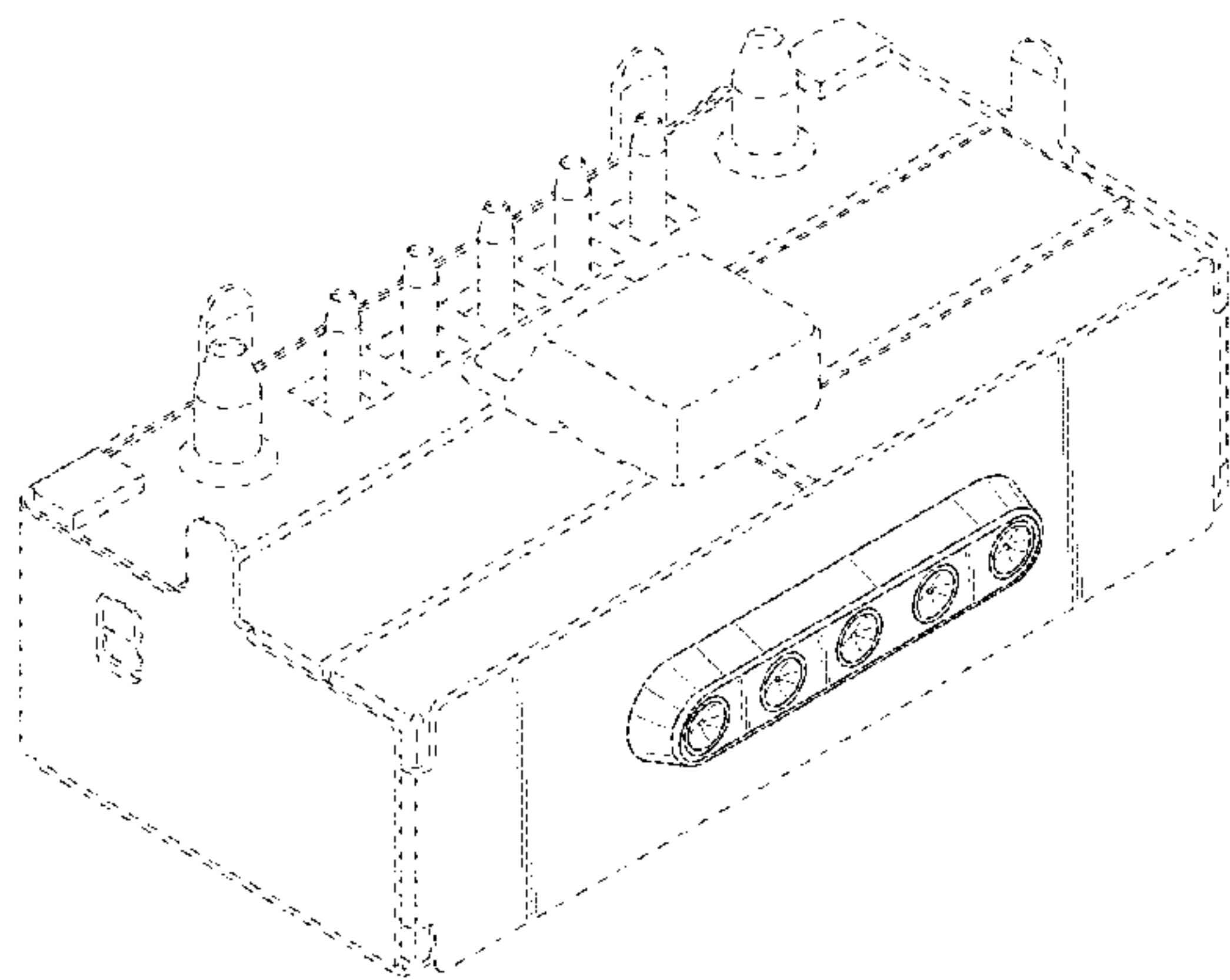
**DESCRIPTION**

FIG. 1 is a front, top perspective view of an electronic device showing our new design;  
 FIG. 2 is a front, bottom perspective view thereof;  
 FIG. 3 is a rear, top perspective view thereof;  
 FIG. 4 is a rear, bottom perspective view thereof;  
 FIG. 5 is a front view thereof;  
 FIG. 6 is a rear view thereof;  
 FIG. 7 is a left side view thereof;  
 FIG. 8 is a right side view thereof;  
 FIG. 9 is a bottom view thereof; and,  
 FIG. 10 is a top view thereof.

The broken lines illustrate structure that forms no part of the claimed design.

The drawings include surface shading that represents contour and not surface ornamentation.

**1 Claim, 4 Drawing Sheets**



(56)

References Cited

U.S. PATENT DOCUMENTS

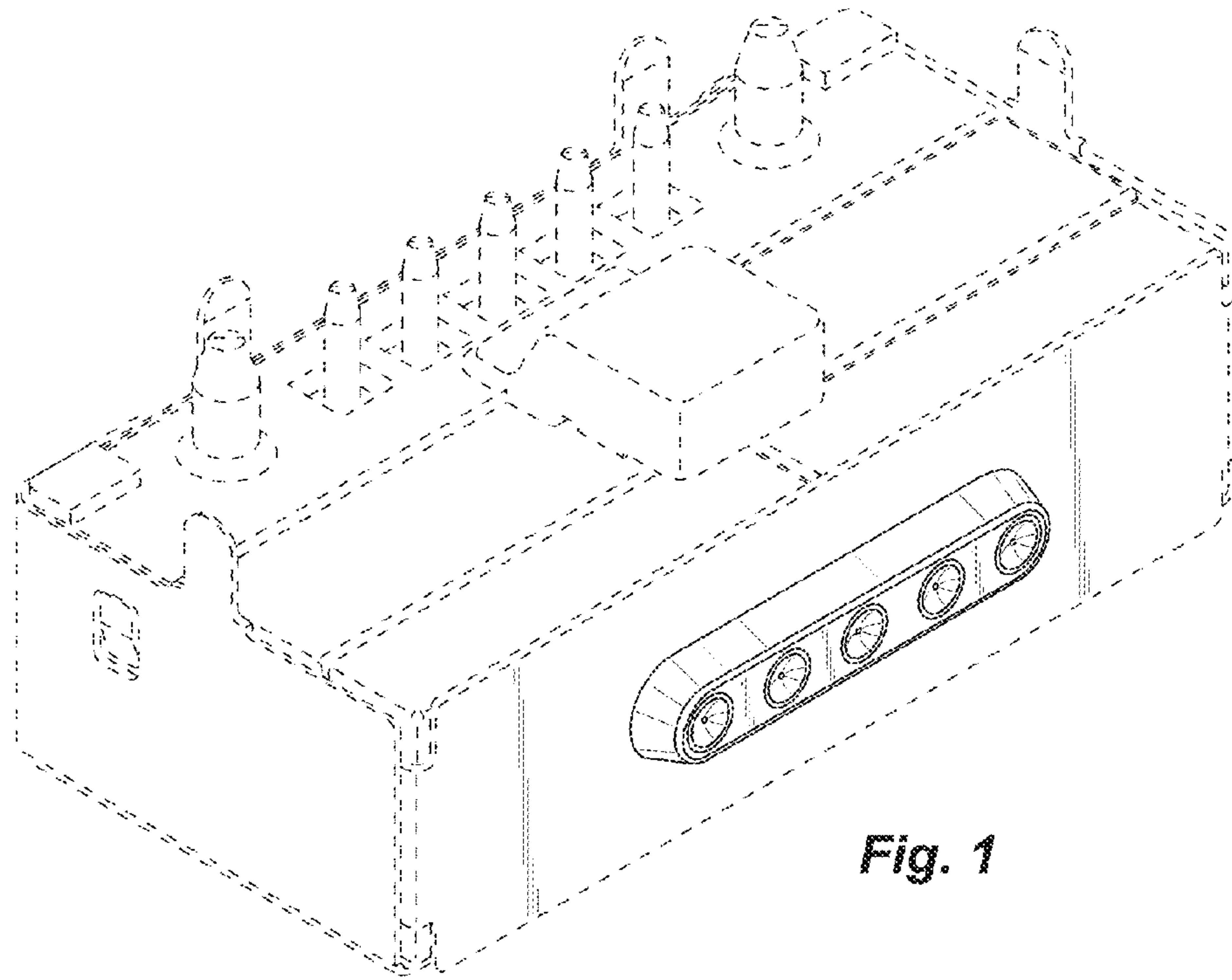
D437,290 S 2/2001 Goto  
 D442,553 S 5/2001 Urban et al.  
 D447,121 S 8/2001 Yim  
 D447,467 S 9/2001 Hisada et al.  
 D449,275 S 10/2001 Goto  
 D457,194 S 5/2002 Goto  
 D464,997 S 10/2002 Goto  
 D471,156 S 3/2003 Sass et al.  
 D493,144 S 7/2004 Cheng et al.  
 6,921,284 B2 7/2005 Sirichai et al.  
 D514,524 S 2/2006 Suckle  
 D515,510 S 2/2006 Huang  
 D531,127 S 10/2006 Zhong et al.  
 7,210,943 B1 5/2007 Chang et al.  
 D549,660 S 8/2007 Zenri et al.  
 D550,158 S 9/2007 Victor  
 D552,546 S 10/2007 Nishio et al.  
 D553,087 S 10/2007 Ashida et al.  
 D553,092 S 10/2007 Arai et al.  
 D563,883 S 3/2008 Dever  
 D563,884 S 3/2008 Dever  
 D563,885 S 3/2008 Dever  
 D563,886 S 3/2008 Dever  
 D563,887 S 3/2008 Dever  
 D563,888 S 3/2008 Dever  
 D563,890 S 3/2008 Dever  
 D563,891 S 3/2008 Dever  
 D566,656 S 4/2008 Dever  
 D569,808 S 5/2008 Dever  
 D571,296 S 6/2008 Kuo et al.  
 D574,778 S 8/2008 Szeto et al.  
 7,429,188 B2 9/2008 Wu  
 D579,880 S 11/2008 Birmingham et al.  
 D580,861 S 11/2008 Amidon  
 D588,545 S 3/2009 Andre et al.  
 7,517,222 B2 4/2009 Rohrbach et al.  
 7,540,733 B2 6/2009 Rossanese  
 7,540,773 B2 6/2009 Ko  
 7,632,134 B2 12/2009 Su et al.

D607,831 S 1/2010 Andre et al.  
 D618,178 S 6/2010 Andre et al.  
 7,727,031 B2 6/2010 Lord  
 D619,963 S 7/2010 Hou  
 D620,450 S 7/2010 Andre et al.  
 7,841,776 B2 11/2010 DiFonzo et al.  
 D629,752 S 12/2010 Akana et al.  
 D632,261 S 2/2011 Andre et al.  
 D639,748 S 6/2011 Akana et al.  
 D647,854 S \* 11/2011 Lin ..... D13/146  
 D671,898 S 12/2012 Andre et al.  
 D684,538 S 6/2013 Akana et al.  
 D685,742 S 7/2013 Akana et al.  
 D691,128 S 10/2013 Akana et al.  
 D691,129 S 10/2013 Akana et al.  
 D699,684 S 2/2014 Akana et al.  
 D703,616 S \* 4/2014 Akana ..... D13/147  
 D721,331 S \* 1/2015 Andre ..... D13/147  
 2002/0142665 A1 10/2002 Nishio et al.  
 2003/0207611 A1 11/2003 Lin et al.  
 2007/0072442 A1 3/2007 DiFonzo et al.  
 2007/0072443 A1 3/2007 Rohrbach et al.  
 2008/0003841 A1 1/2008 Su et al.  
 2010/0080563 A1 4/2010 DiFonzo et al.  
 2011/0038582 A1 2/2011 DiFonzo et al.  
 2012/0148195 A1 6/2012 Umeno  
 2012/0252231 A1 10/2012 Kall  
 2013/0329324 A1 12/2013 Tziviskos et al.

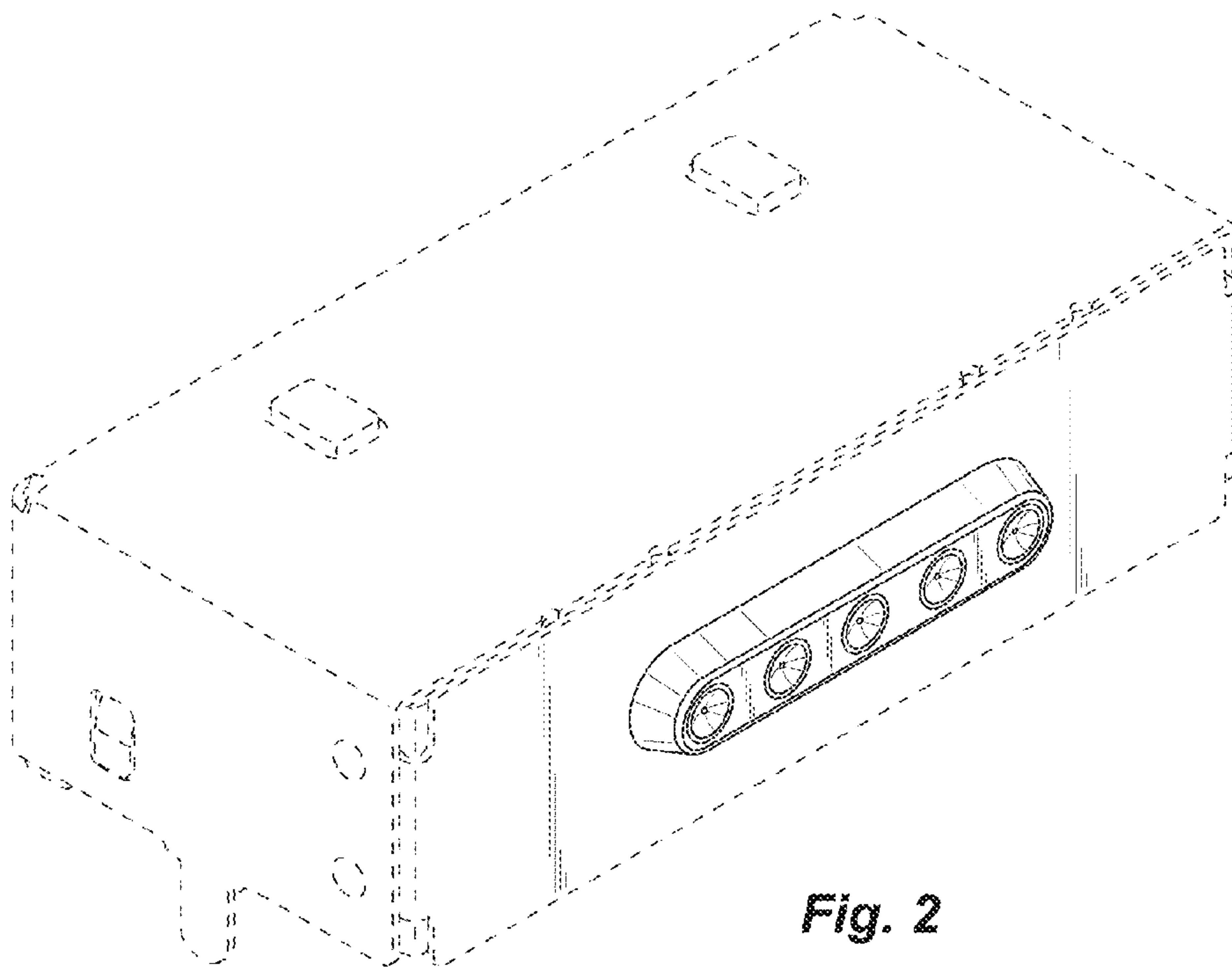
OTHER PUBLICATIONS

U.S. Appl. No. 12/891,794 titled "Cable Connector Assembly With Status Indicator Means" filed Sep. 27, 2010. (unpublished).  
 U.S. Appl. No. 29/375,909 titled "Connector" filed Sep. 29, 2010. (unpublished).  
 U.S. Appl. No. 29/424,257 titled "Connector" filed Jun. 8, 2012. (unpublished).  
 Office action dated Nov. 7, 2012 in U.S. Appl. No. 29/424,257, titled "Connector." (unpublished).  
 U.S. Appl. No. 29/482,550 titled "Adapter" filed Feb. 19, 2014. (unpublished).

\* cited by examiner

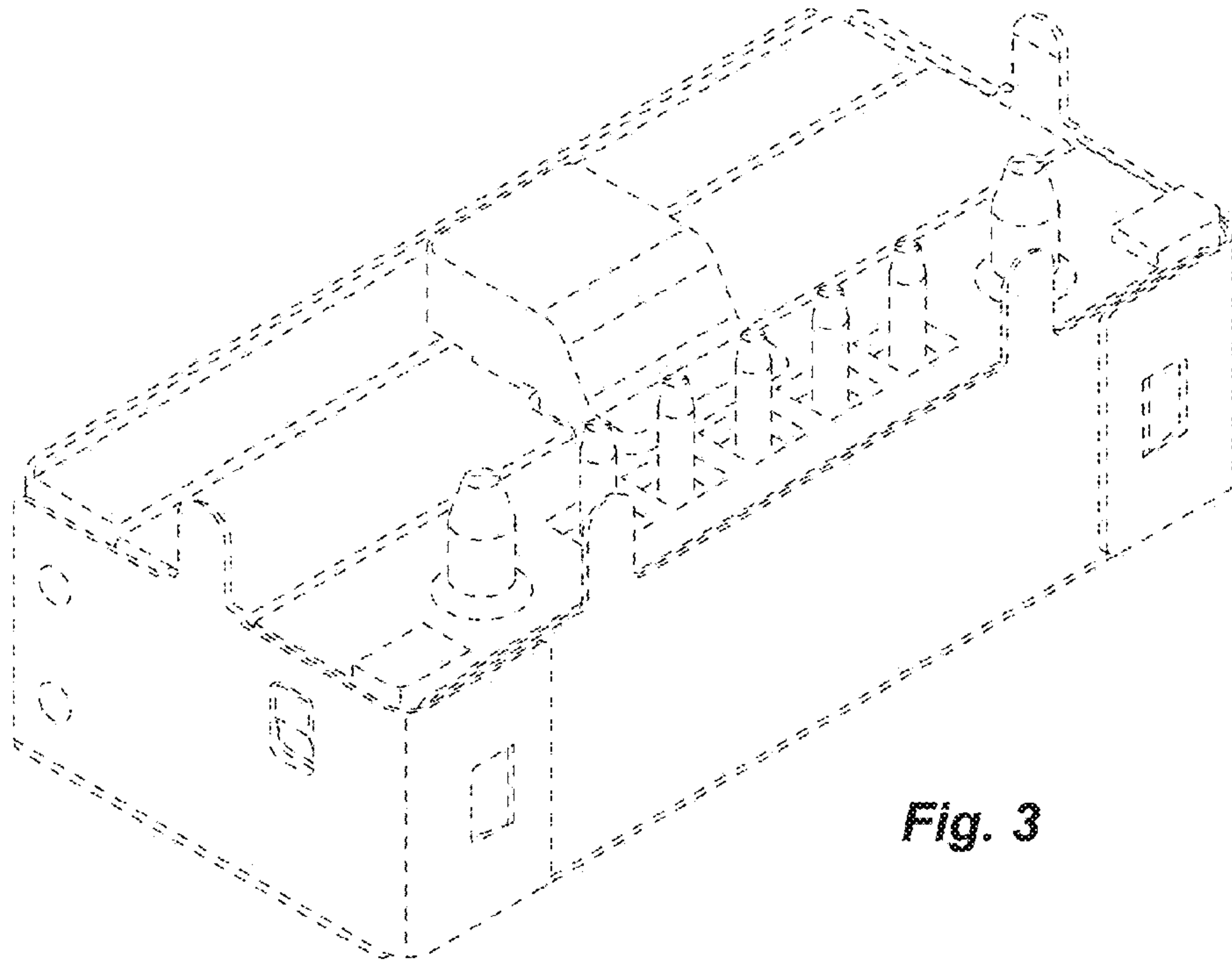


**Fig. 1**

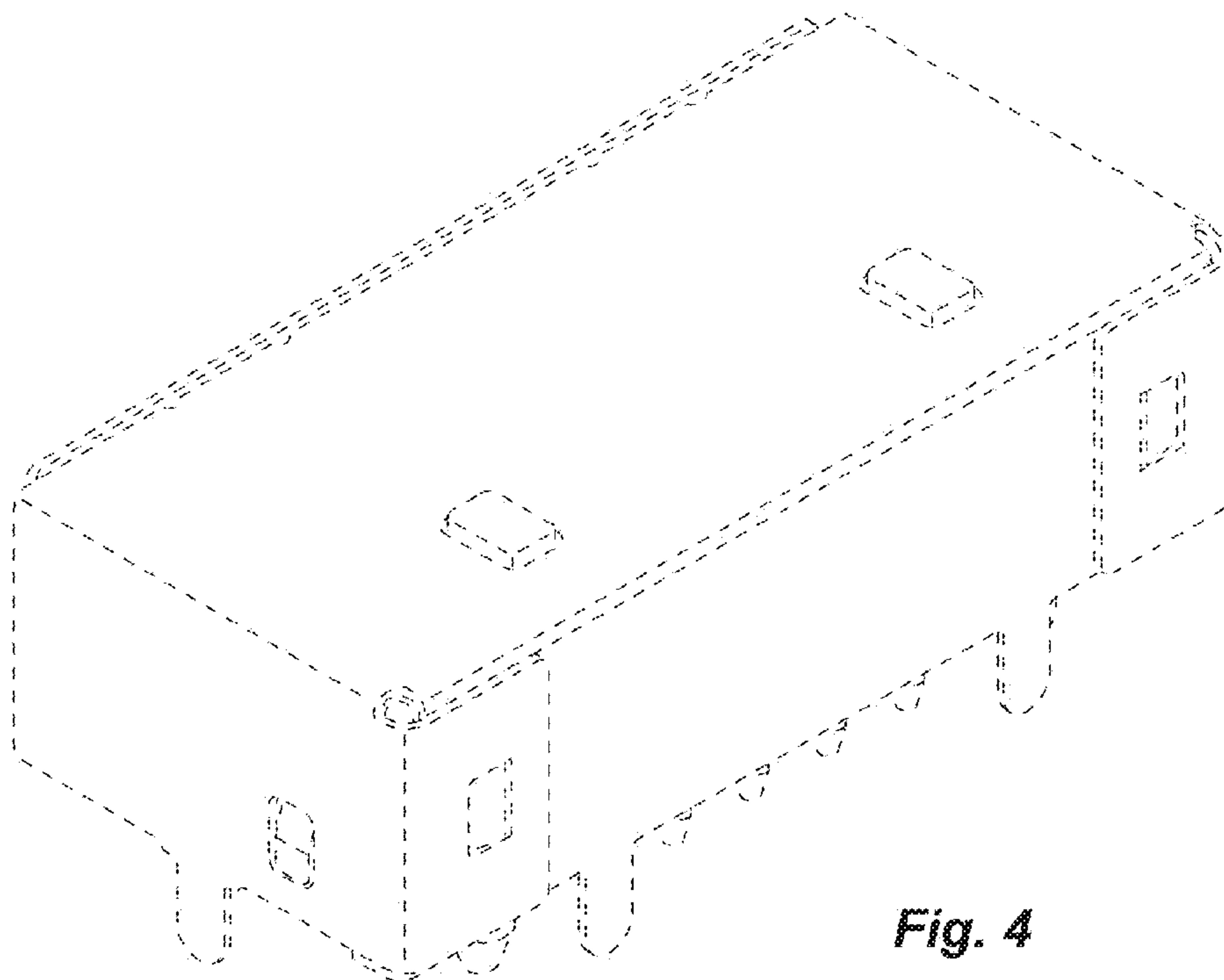


**Fig. 2**

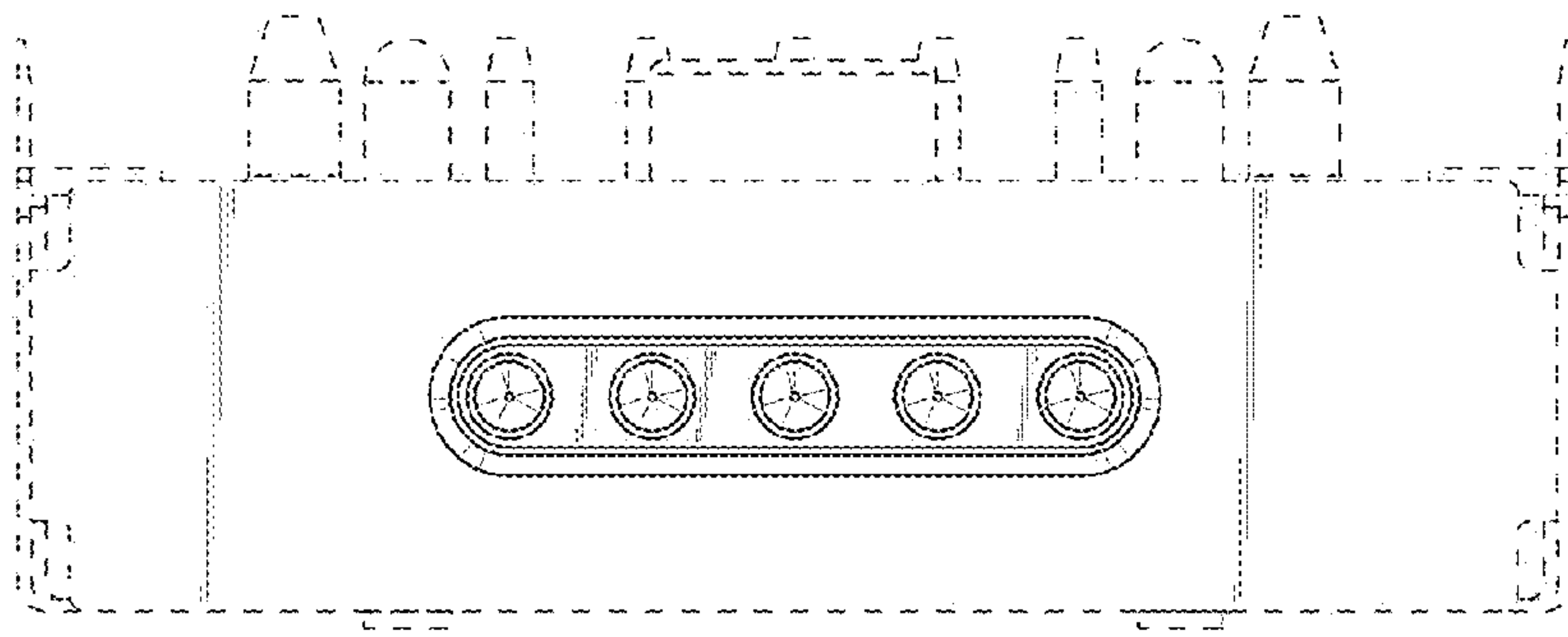




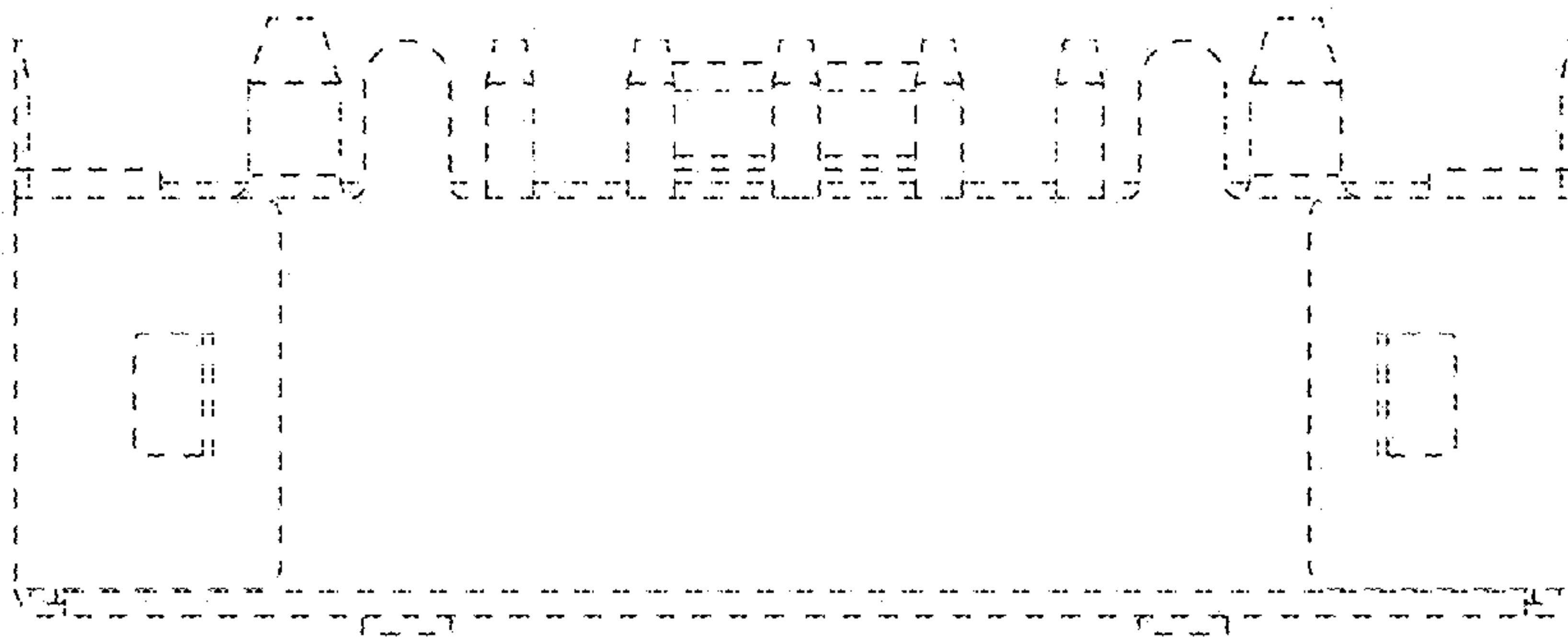
**Fig. 3**



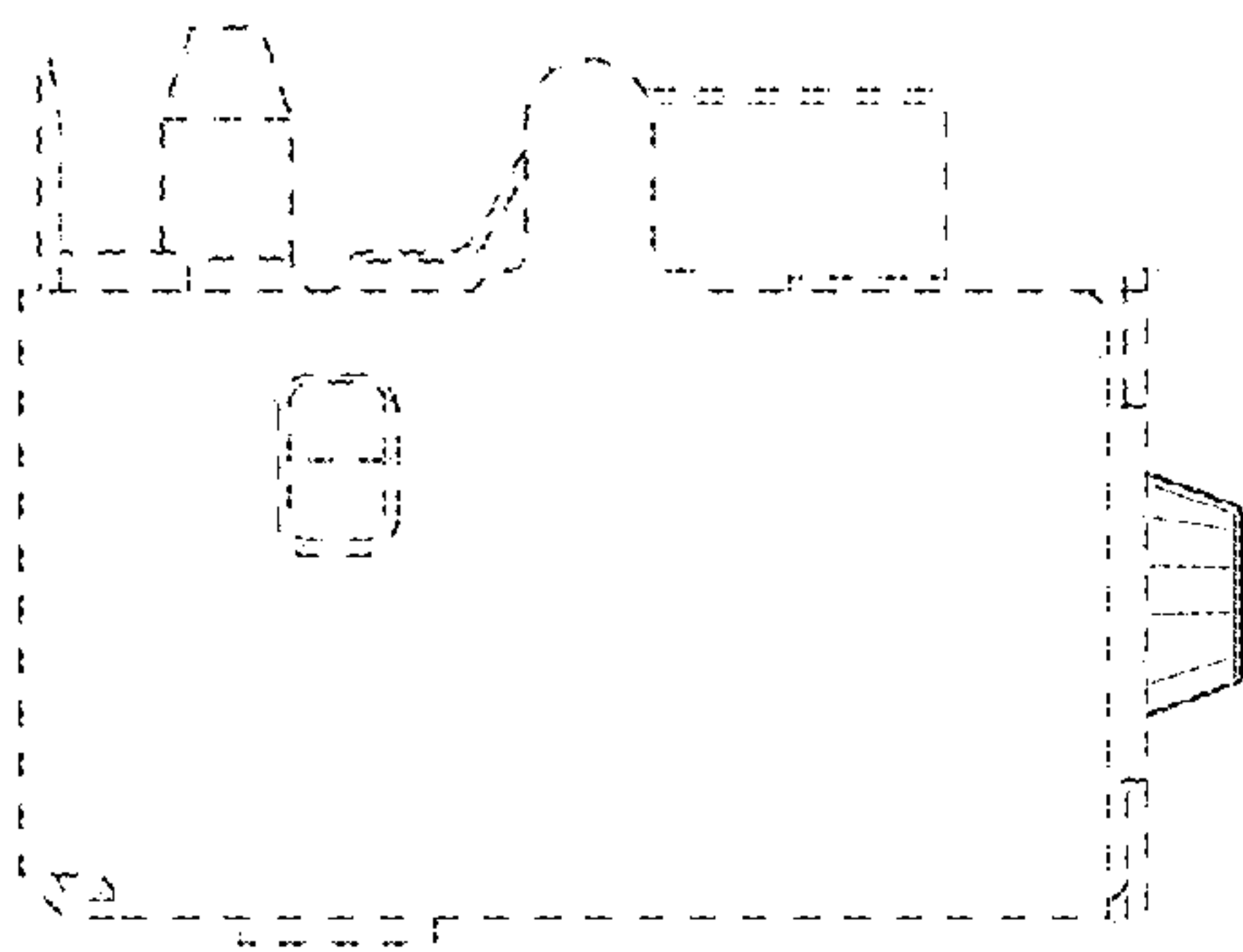
**Fig. 4**



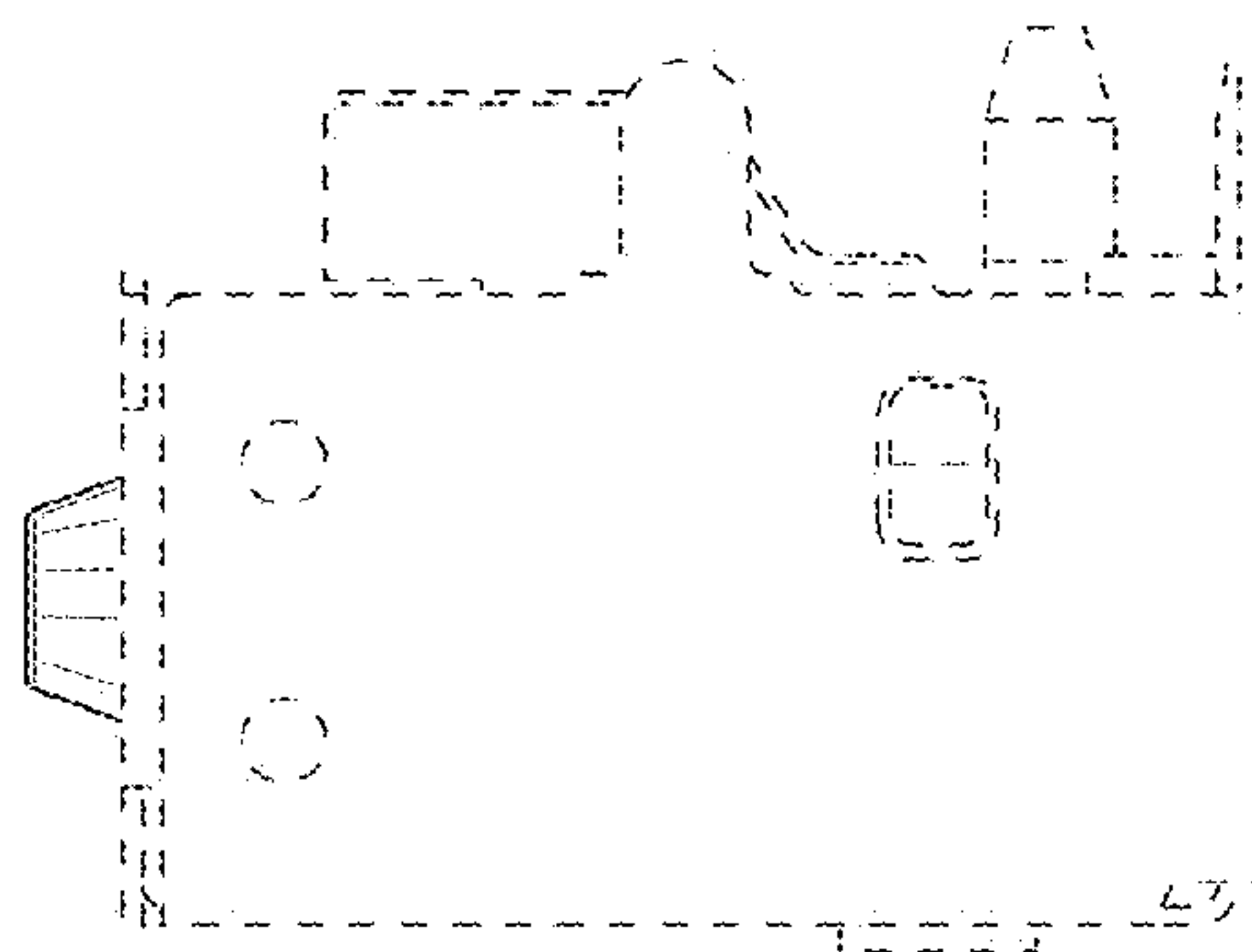
**Fig. 5**



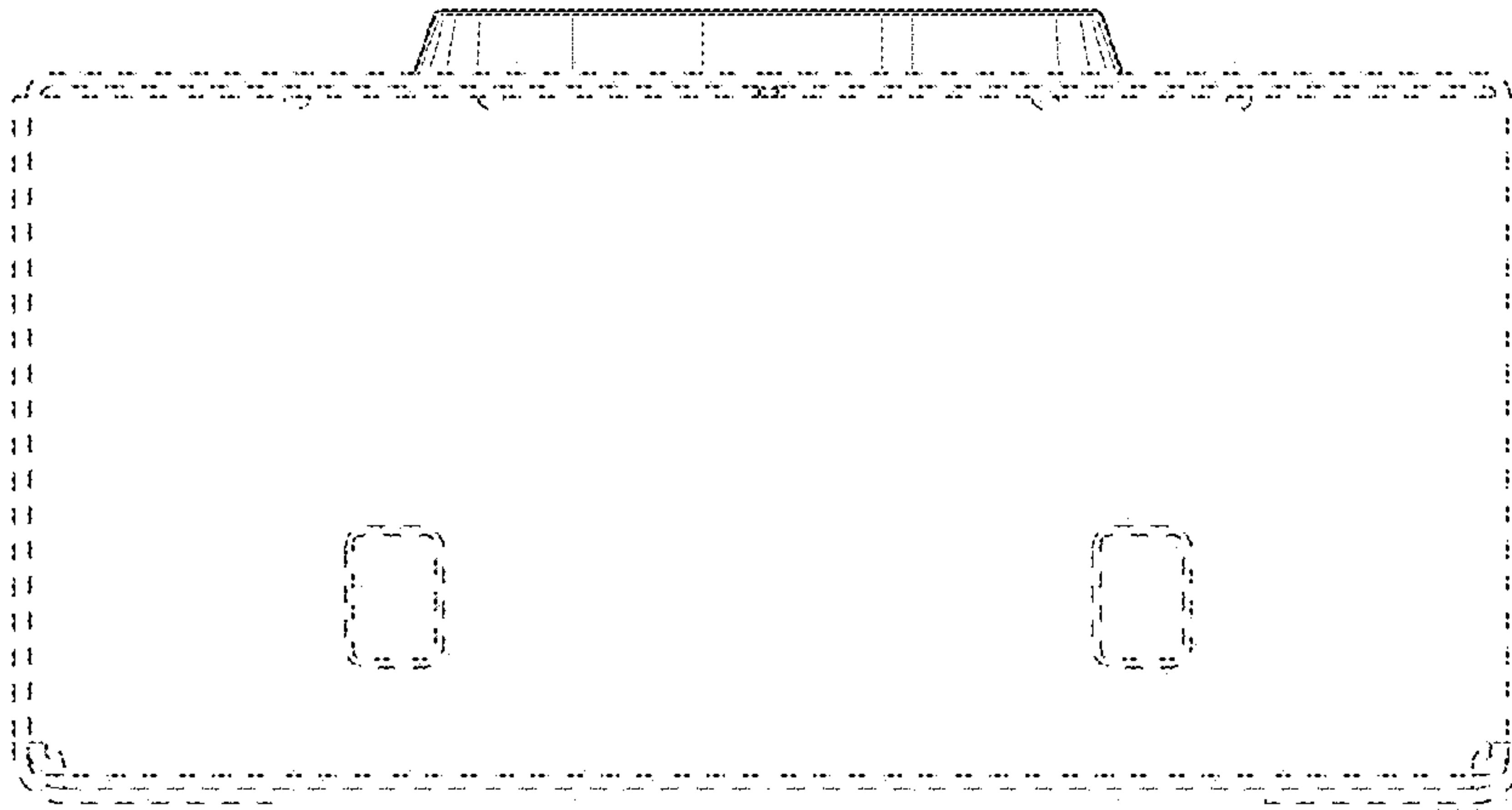
**Fig. 6**



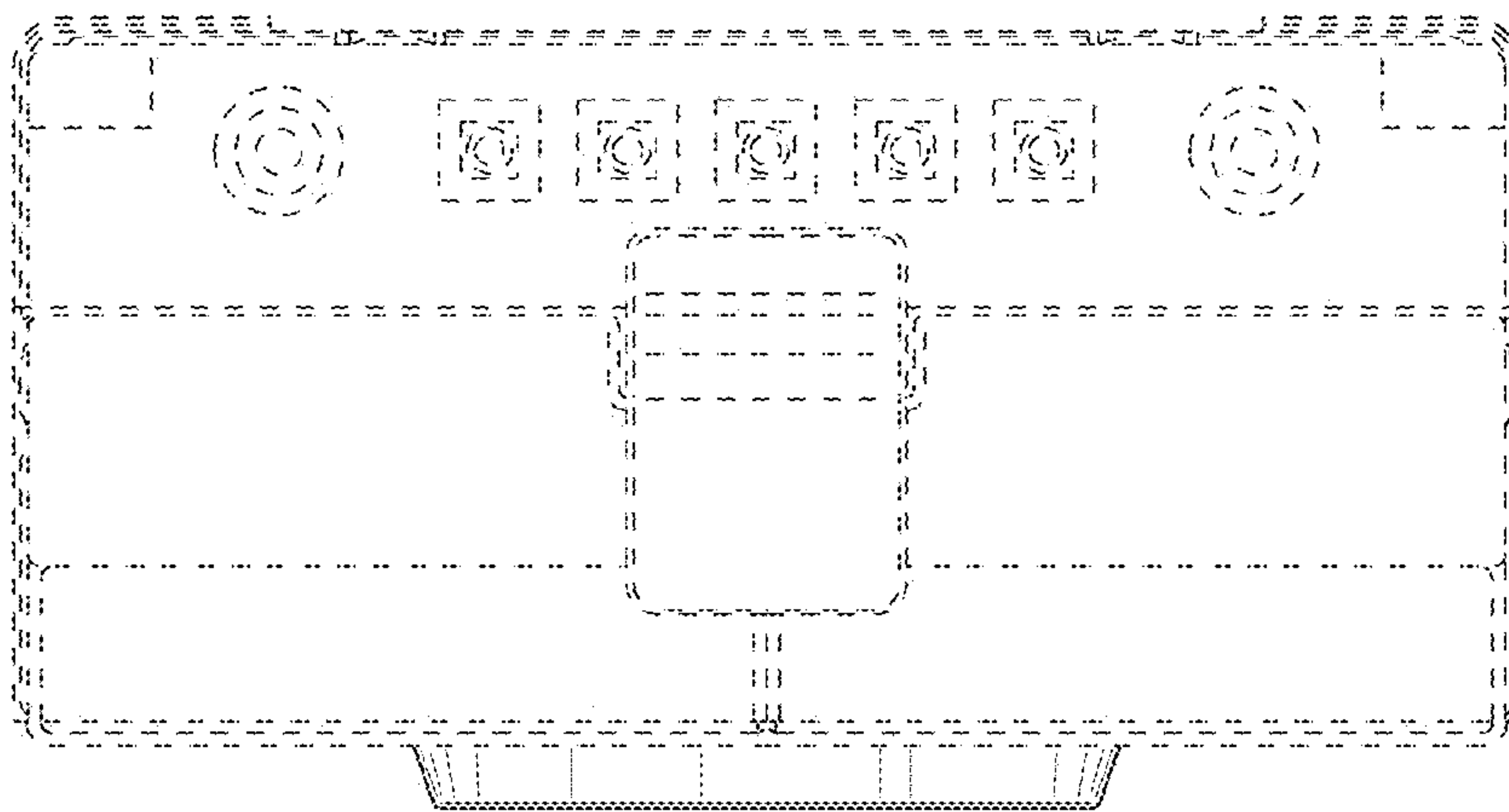
**Fig. 7**



**Fig. 8**



**Fig. 9**



**Fig. 10**