



US00D759595S

(12) **United States Design Patent**
Enomoto et al.

(10) **Patent No.:** **US D759,595 S**
(45) **Date of Patent:** **** Jun. 21, 2016**

(54) **WIRE CONNECTOR**
(71) Applicant: **Sumitomo Wiring Systems, Ltd.**,
Yokkaichi-shi (JP)
(72) Inventors: **Keisuke Enomoto**, Yokkaichi (JP);
Kenichi Inokoshi, Yokkaichi (JP);
Hisayoshi Yaita, Yokkaichi (JP);
Keisuke Yoshida, Yokkaichi (JP);
Atsushi Sakatani, Yokkaichi (JP)
(73) Assignee: **Sumitomo Wiring Systems, Ltd.** (JP)
(**) Term: **15 Years**

6,166,327 A * 12/2000 Saito H02G 3/088
174/135
6,527,574 B1 * 3/2003 Murakami H01R 13/502
439/275
D651,171 S * 12/2011 Yamauchi D13/133
D654,434 S * 2/2012 Ishigami D13/123
D701,833 S * 4/2014 Carlucci D13/133
D730,832 S * 6/2015 Siddiqui D13/133
2003/0017739 A1 * 1/2003 Sawayanagi H01R 13/5202
439/357
2004/0253871 A1 * 12/2004 Sakatani H01R 4/70
439/606
2014/0370744 A1 * 12/2014 Rimke H01R 13/506
439/521
2015/0122544 A1 * 5/2015 Shiba H01R 4/70
174/72 A

(21) Appl. No.: **29/526,870**
(22) Filed: **May 13, 2015**
(30) **Foreign Application Priority Data**
Nov. 25, 2014 (JP) 2014-026292
(51) **LOC (10) Cl.** **13-03**
(52) **U.S. Cl.**
USPC **D13/133**
(58) **Field of Classification Search**
USPC D13/110, 118, 123, 133, 145-149, 151,
D13/154-156, 173, 184, 199
CPC H01R 13/00; H01R 13/52; H01R 13/5202;
H01R 13/5208; H01R 13/58; H01R 4/00;
H01R 4/58; H01R 4/50
See application file for complete search history.

* cited by examiner

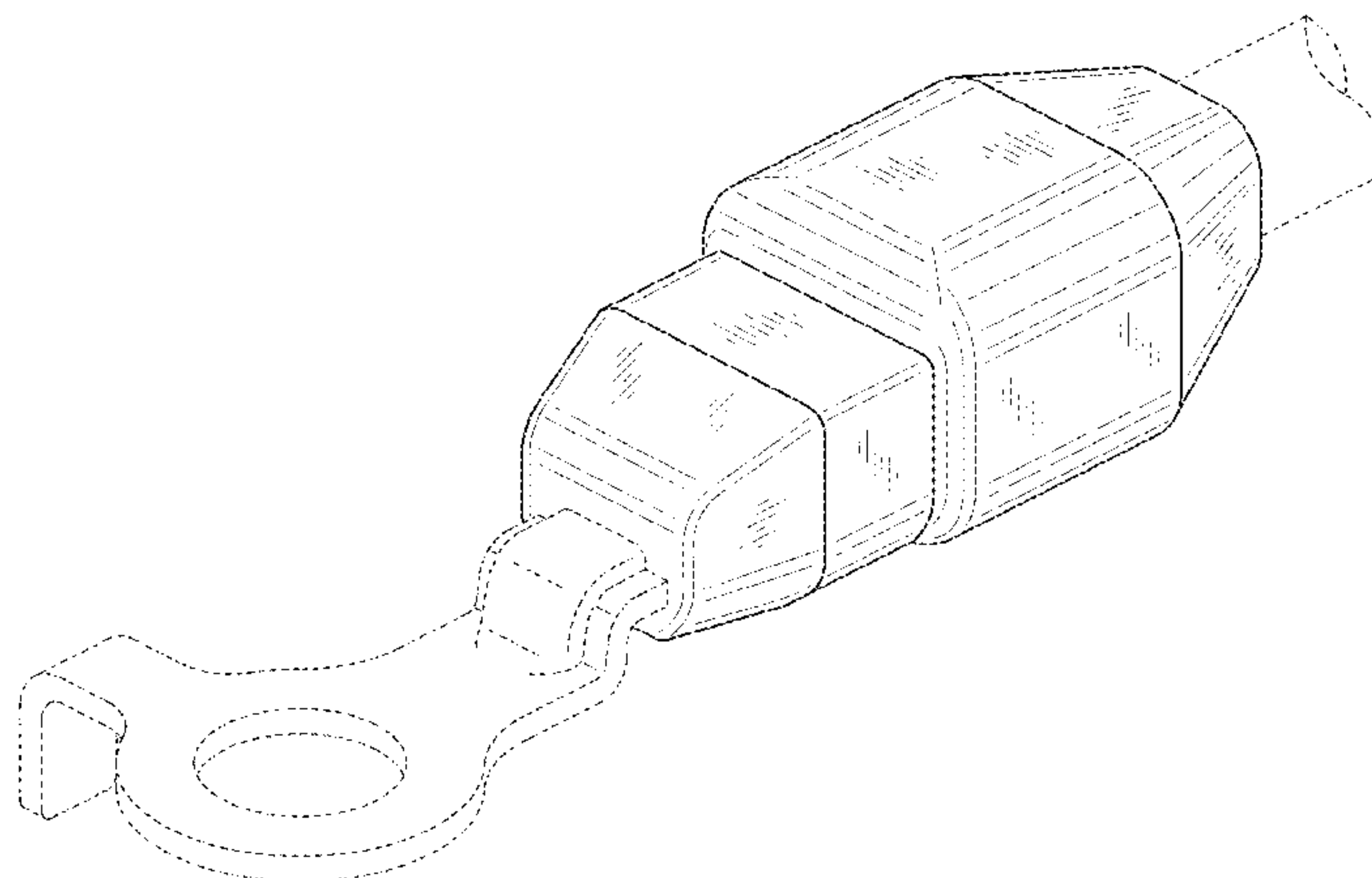
Primary Examiner — Thomas Johannes
Assistant Examiner — Shawn T Gingrich
(74) *Attorney, Agent, or Firm* — Schwegman Lundberg &
Woessner, P.A.

(56) **References Cited**
U.S. PATENT DOCUMENTS
D345,145 S * 3/1994 Fogg D10/103
D381,622 S * 7/1997 Gorton D13/110
6,116,938 A * 9/2000 Myer H01R 13/5208
439/271

(57) **CLAIM**
The ornamental design for a wire connector, as shown and
described.

DESCRIPTION
FIG. 1 is a rear, top, and right side perspective view of a wire
connector showing our new design;
FIG. 2 is a front view thereof;
FIG. 3 is a rear view thereof;
FIG. 4 is a top plan view thereof;
FIG. 5 is a bottom plan view thereof;
FIG. 6 is a right side view thereof; and,
FIG. 7 is a left side view thereof.
The features shown in broken lines in the drawings depict
environmental subject matter only and form no part of the
claimed design.

1 Claim, 7 Drawing Sheets



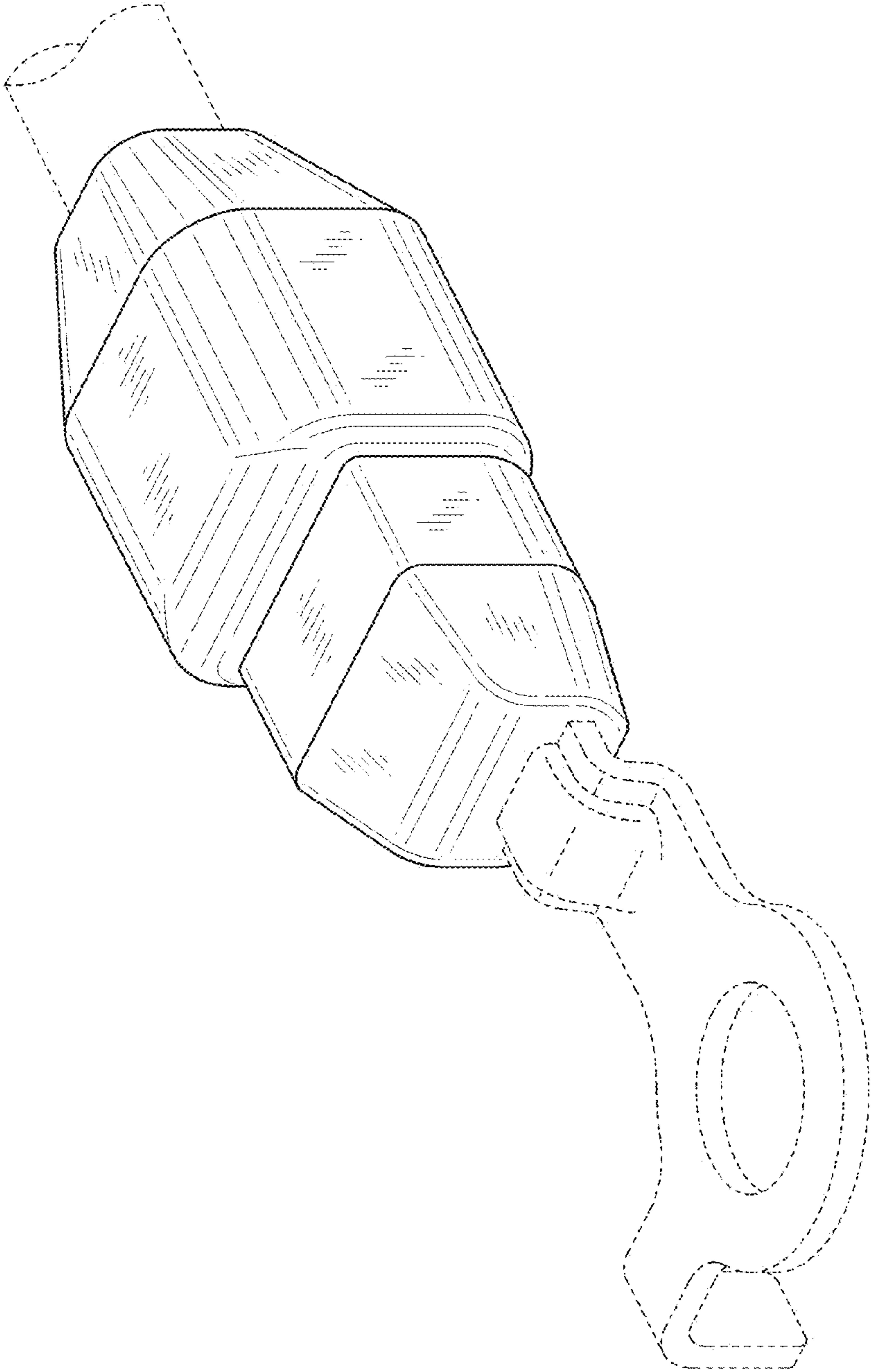


Fig. 1

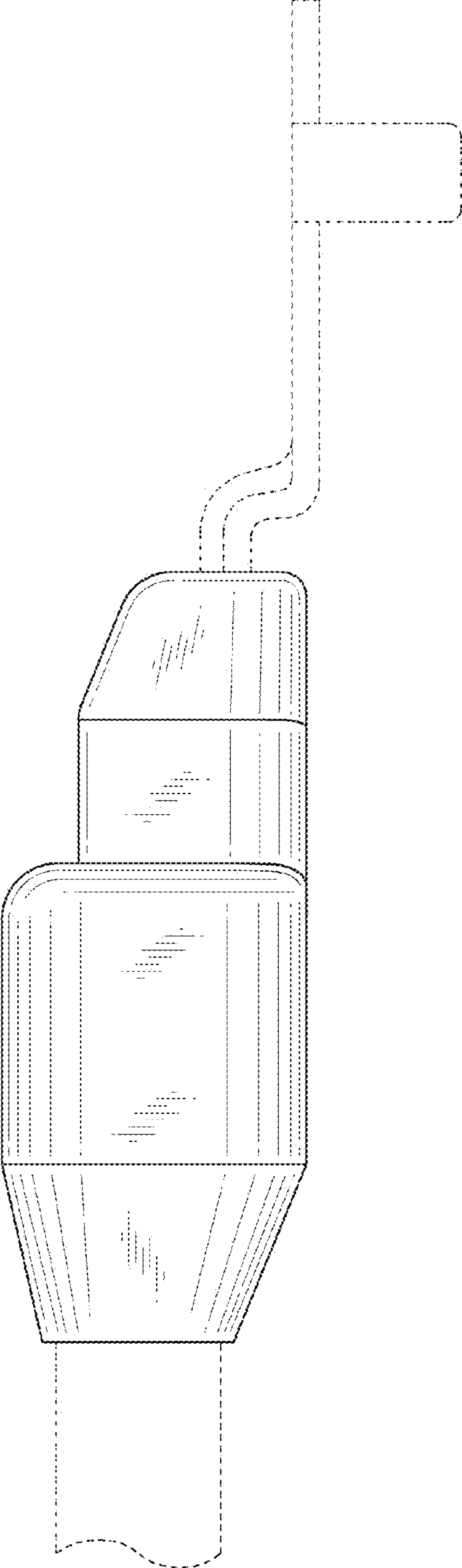


Fig.2

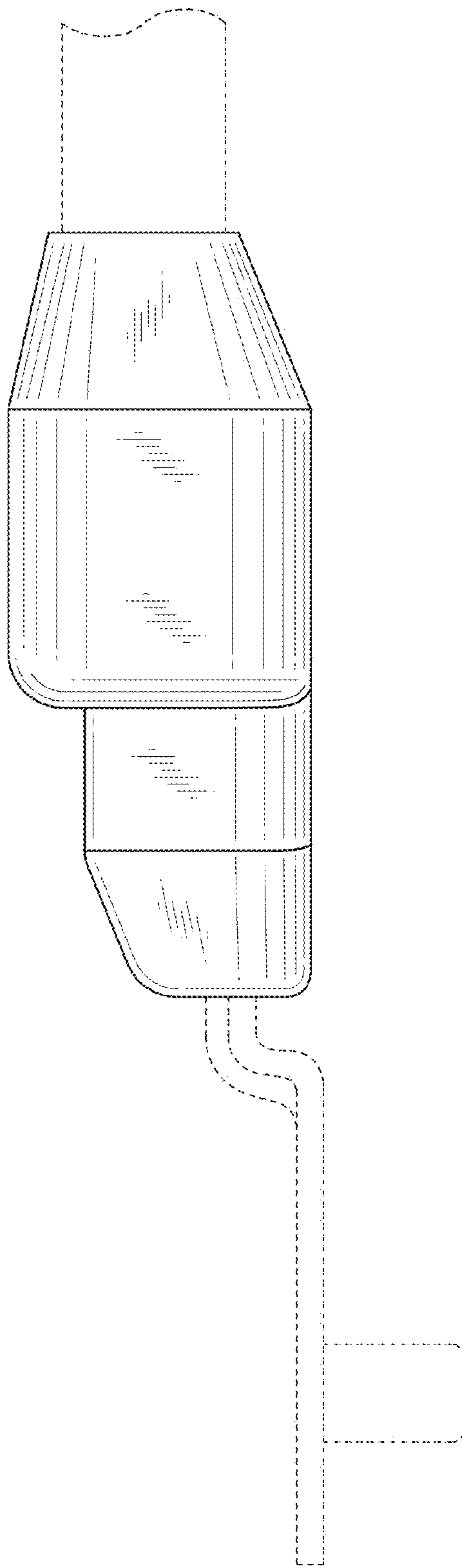


Fig. 3

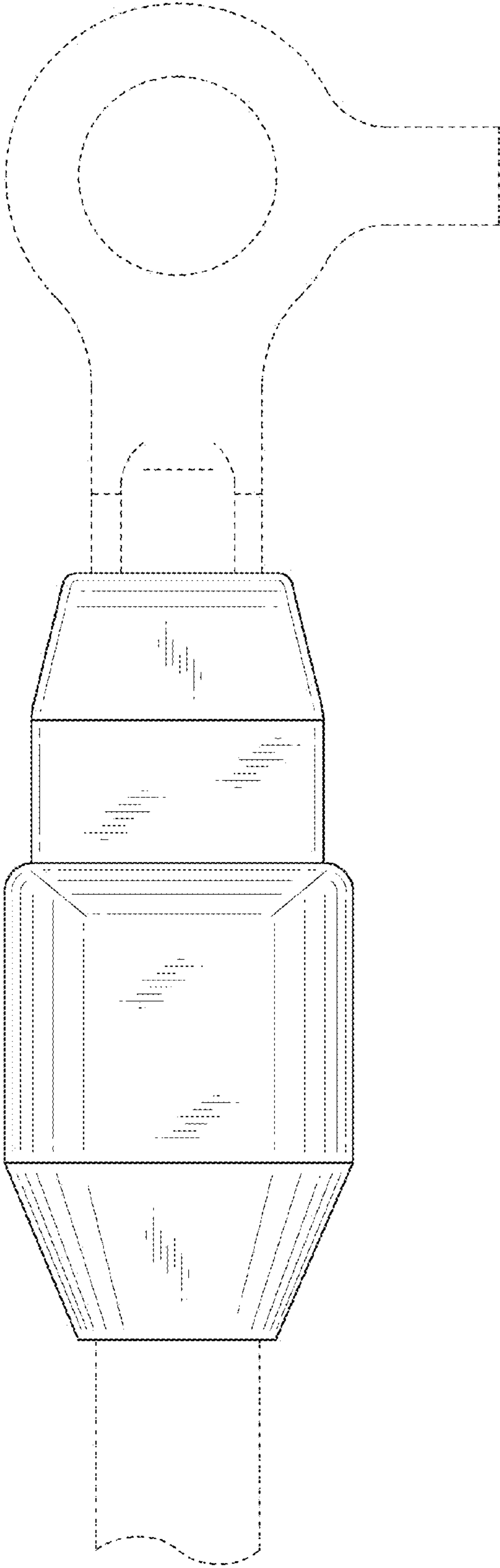


Fig.4

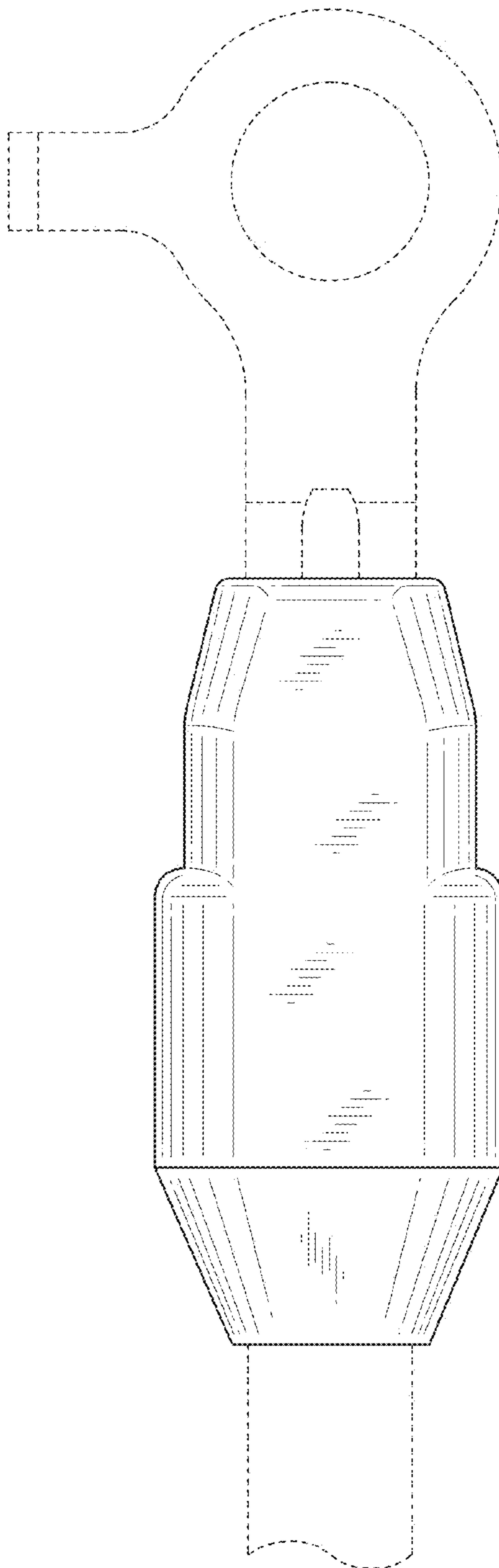


Fig.5

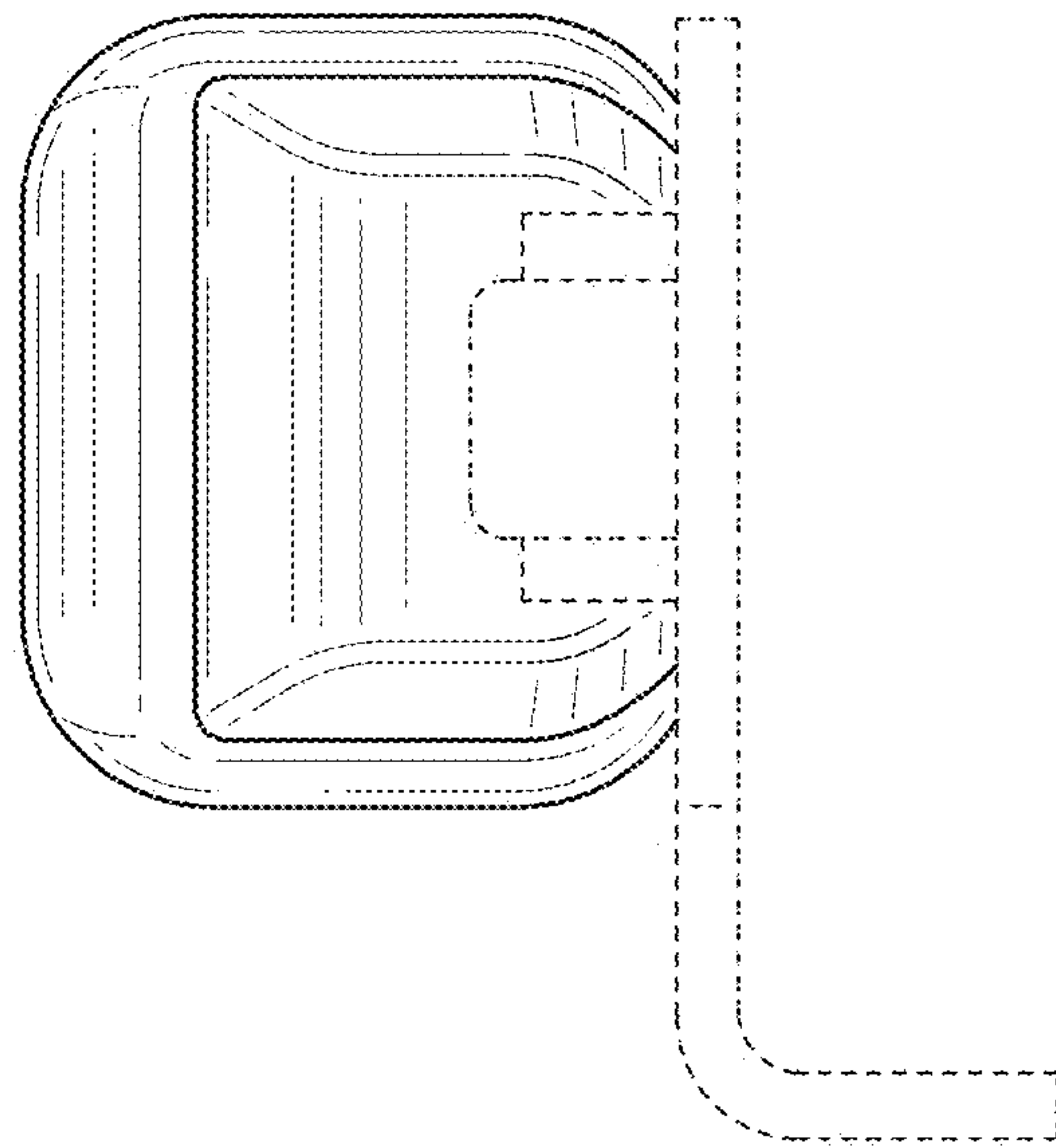


Fig. 6

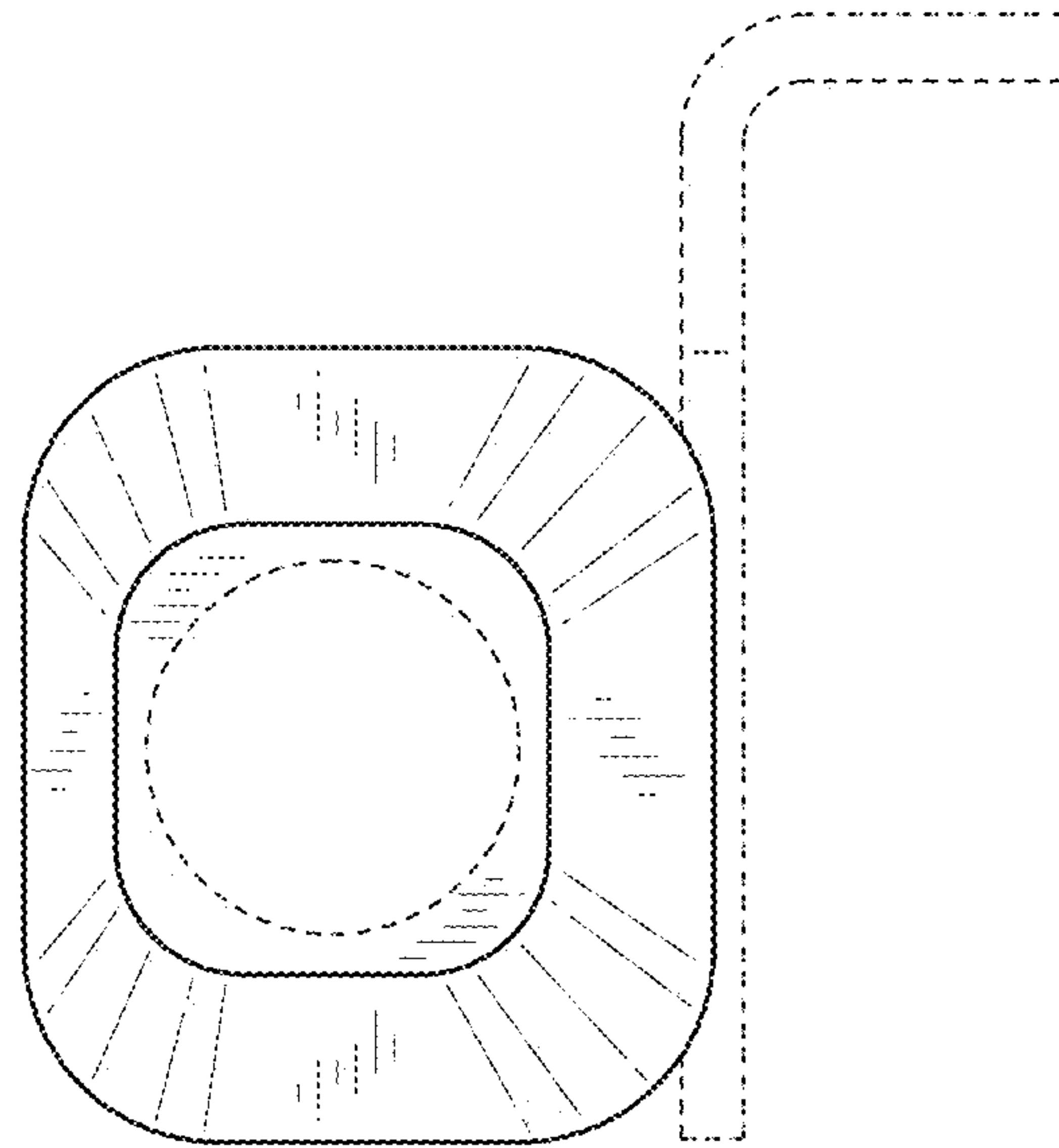


Fig. 7