



US00D759594S

(12) **United States Design Patent**  
**Kato**

(10) **Patent No.:** **US D759,594 S**  
(45) **Date of Patent:** **\*\* Jun. 21, 2016**

(54) **OPTICAL RECEPTACLE HOUSING**

(71) Applicant: **FUJIKURA LTD.**, Koto-ku, Tokyo (JP)

(72) Inventor: **Seiji Kato**, Sakura (JP)

(73) Assignee: **FUJIKURA LTD.**, Tokyo (JP)

(\*\*) Term: **14 Years**

(21) Appl. No.: **29/490,887**

(22) Filed: **May 15, 2014**

(30) **Foreign Application Priority Data**

Nov. 15, 2013 (JP) ..... 2013-026770

(51) **LOC (10) Cl.** ..... **13-03**

(52) **U.S. Cl.**  
USPC ..... **D13/133**

(58) **Field of Classification Search**  
USPC ..... D13/110, 118, 123, 133, 146, 147, 149,  
D13/154, 184, 199  
CPC ..... G02B 6/36; G02B 642/46; G02B 6/38;  
G02B 6/381; H01H 2219/002; H01H  
2219/054; H01H 9/0044; H01H 3/00  
See application file for complete search history.

(56) **References Cited**

**U.S. PATENT DOCUMENTS**

D331,910 S *	12/1992	Sato	.....	D13/133
D555,594 S *	11/2007	So	.....	D13/133
D590,773 S *	4/2009	Suematsu	.....	D13/147
D611,418 S *	3/2010	Kato	.....	D13/147
D684,118 S *	6/2013	Yang	.....	D13/133
D732,478 S *	6/2015	Kang	.....	D13/147
2004/0076378 A1 *	4/2004	Takeda	.....	G02B 6/3849 385/77

2004/0151439 A1 *	8/2004	Ohtsuka	.....	G02B 6/3834 385/78
2012/0082416 A1 *	4/2012	Katoh	.....	G02B 6/3831 385/72
2012/0243831 A1 *	9/2012	Chen	.....	G02B 6/3825 385/55
2014/0133807 A1 *	5/2014	Katoh	.....	G02B 6/3821 385/78
2014/0348472 A1 *	11/2014	Kondo	.....	G02B 6/4256 385/89
2015/0055928 A1 *	2/2015	Yoshizaki	.....	G02B 6/3849 385/139

\* cited by examiner

*Primary Examiner* — Thomas Johannes

*Assistant Examiner* — Shawn T Gingrich

(74) *Attorney, Agent, or Firm* — Sughrue Mion, PLLC

(57) **CLAIM**

The ornamental design for an optical receptacle housing, as shown and described.

**DESCRIPTION**

FIG. 1 is a right, front perspective view of an optical receptacle housing showing my new design;  
FIG. 2 is a left, rear perspective view thereof;  
FIG. 3 is a front side elevational view thereof;  
FIG. 4 is a rear side elevational view thereof;  
FIG. 5 is a left side elevational view thereof;  
FIG. 6 is a right side elevational view thereof;  
FIG. 7 is a top plan view thereof;  
FIG. 8 is a cross sectional view thereof taken along line 8-8 of FIG. 3; and,  
FIG. 9 is a cross sectional view thereof taken along line 9-9 of FIG. 7.  
The broken lines depict environmental subject matter only and form no part of the claimed design.

**1 Claim, 9 Drawing Sheets**

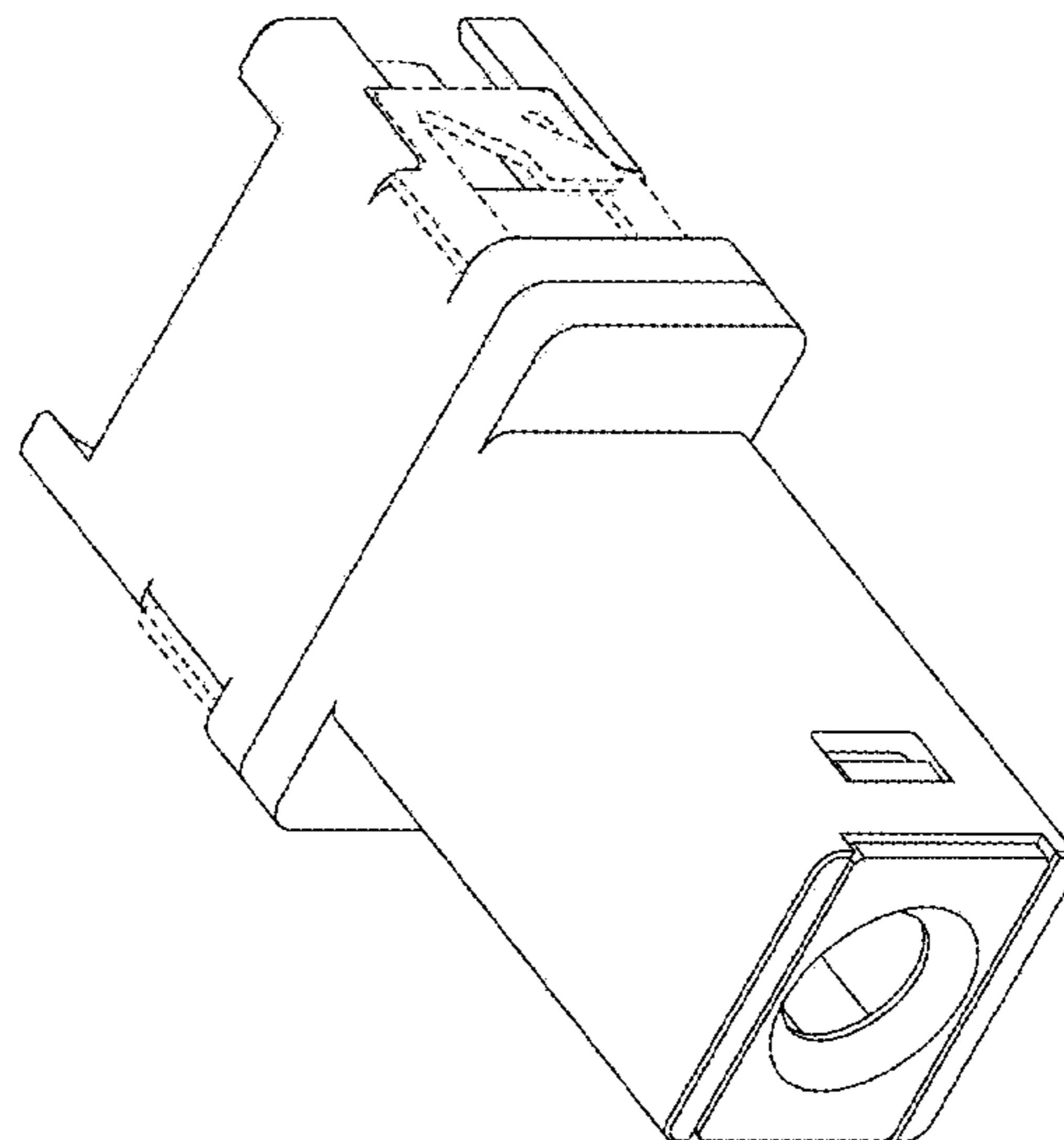
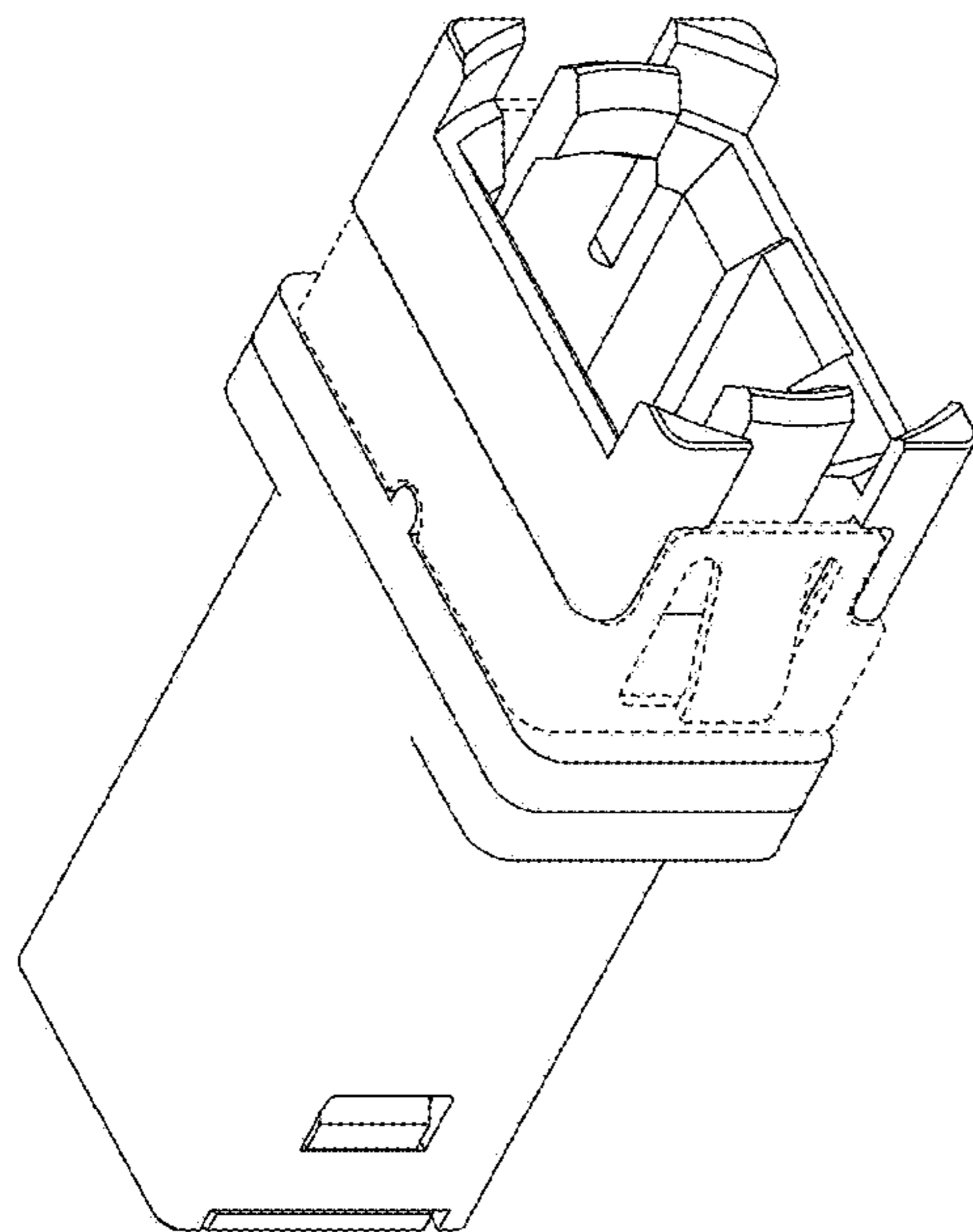


Fig. 1

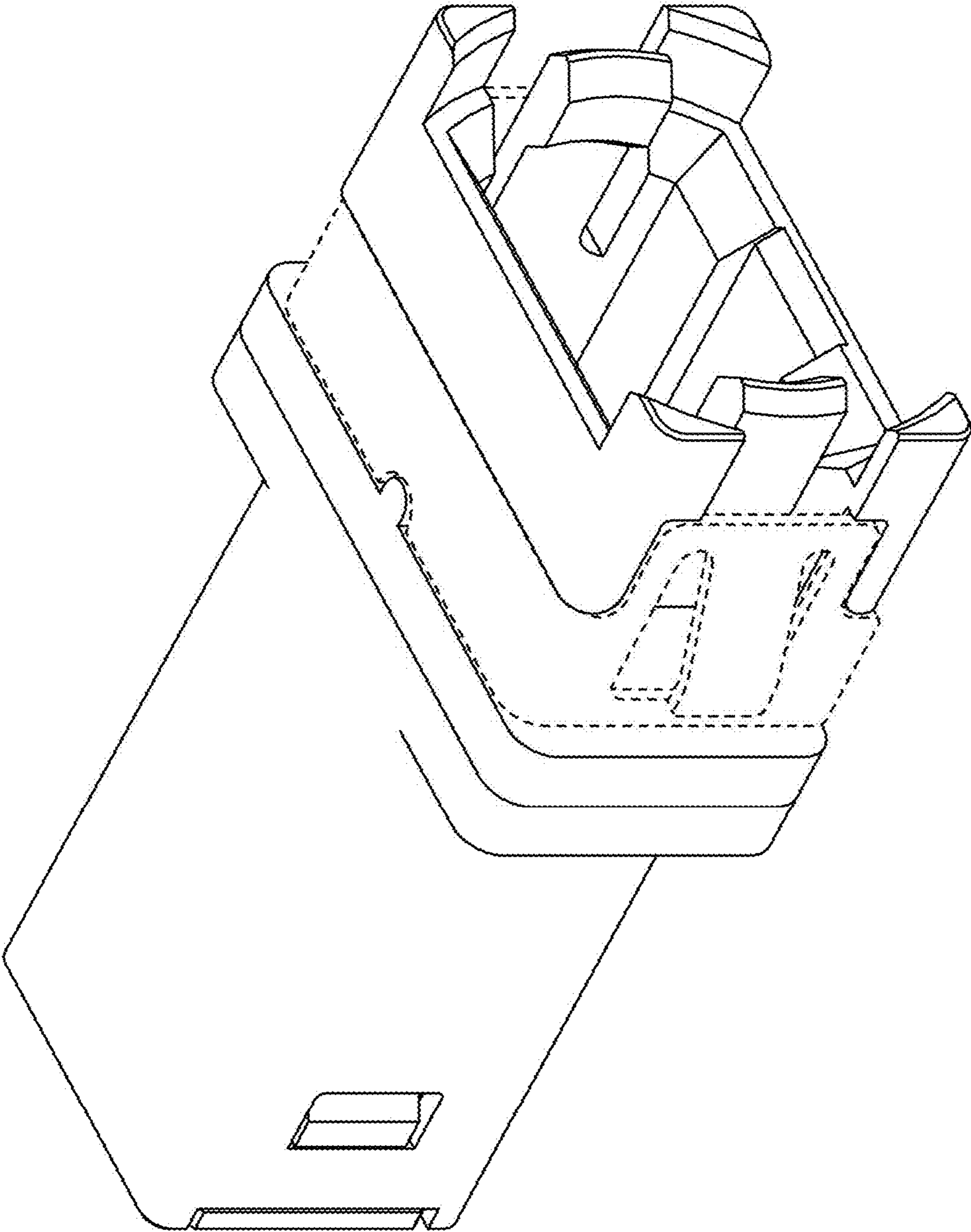


Fig. 2

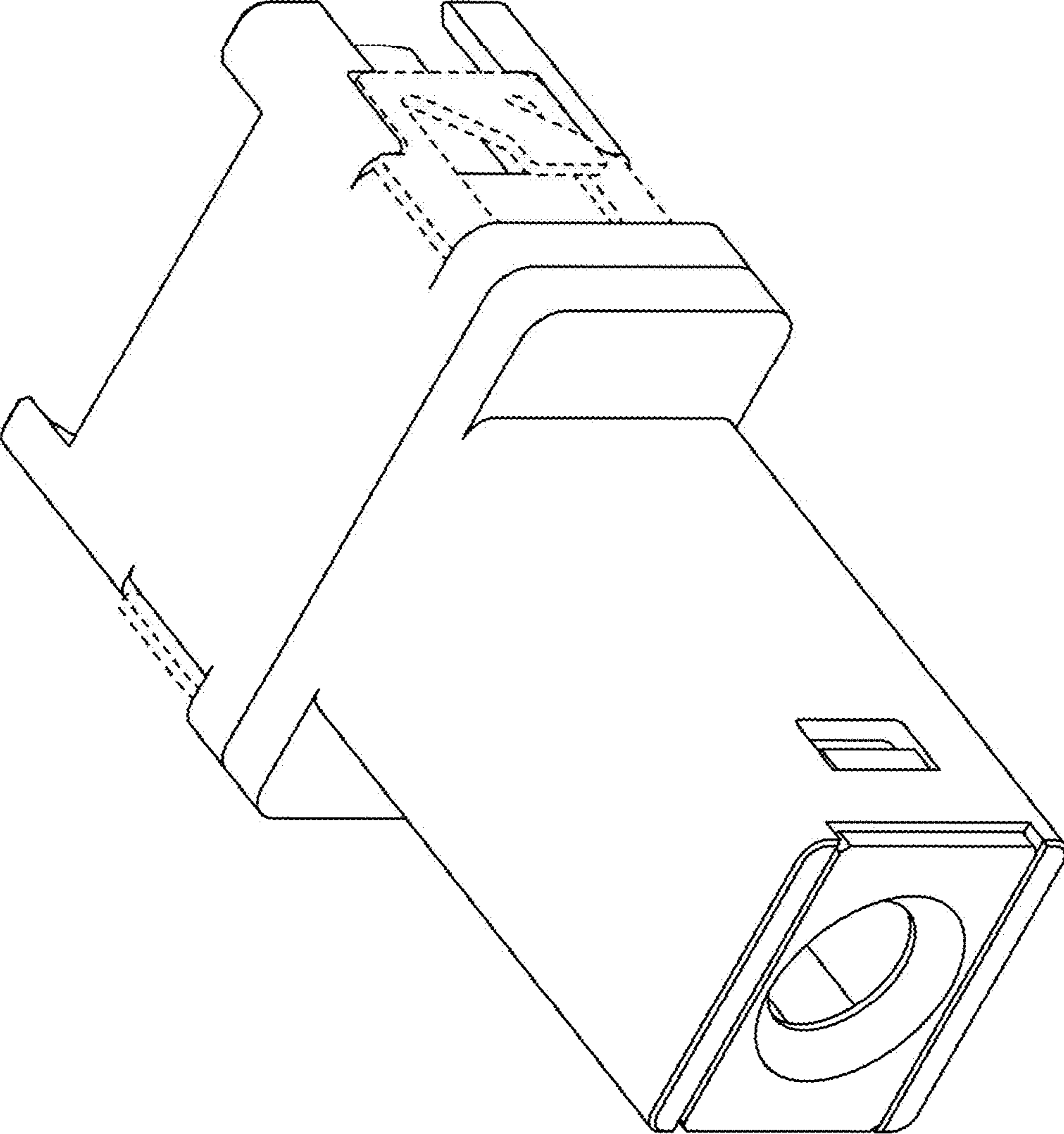


Fig. 3

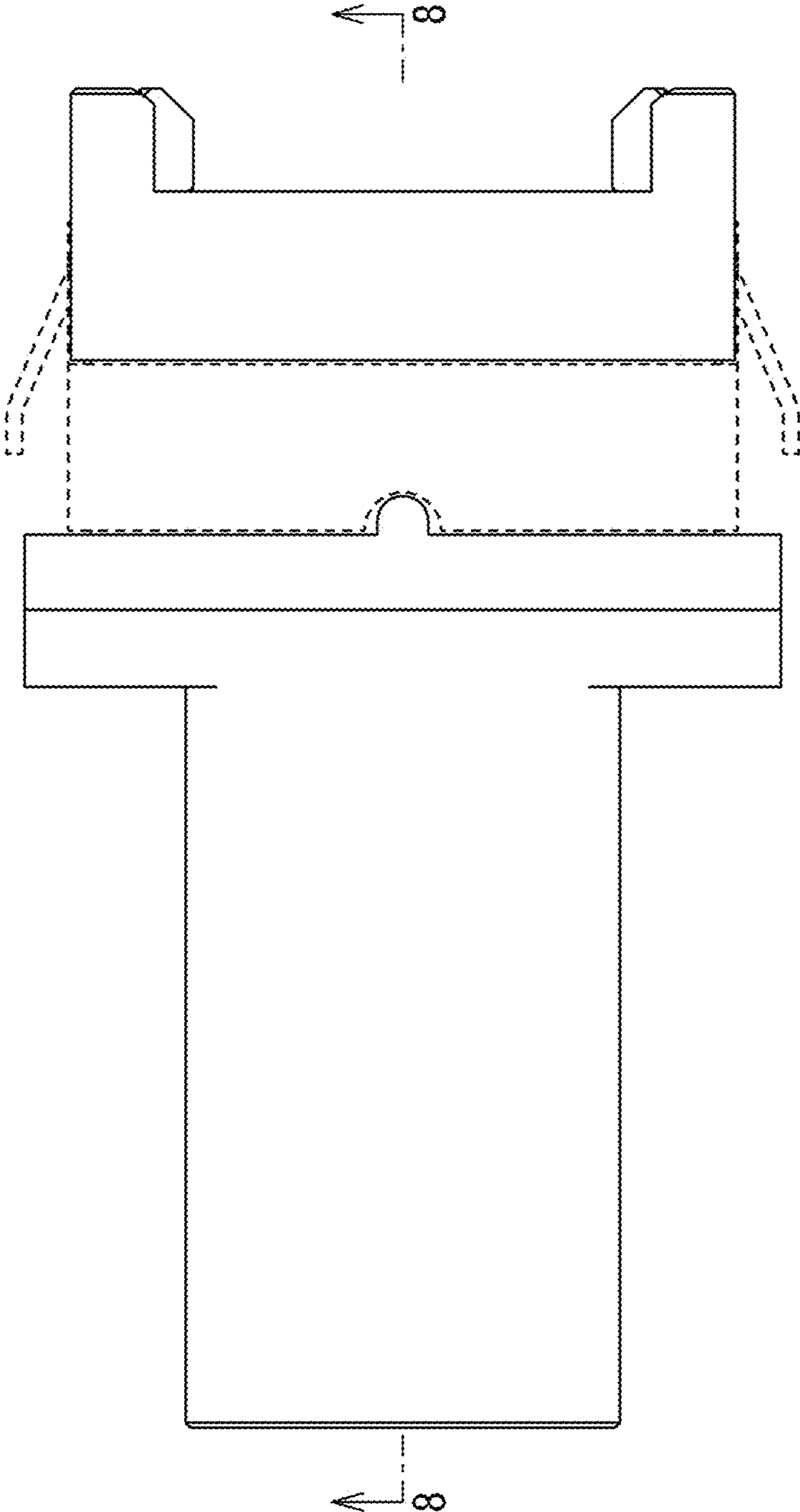


Fig. 4

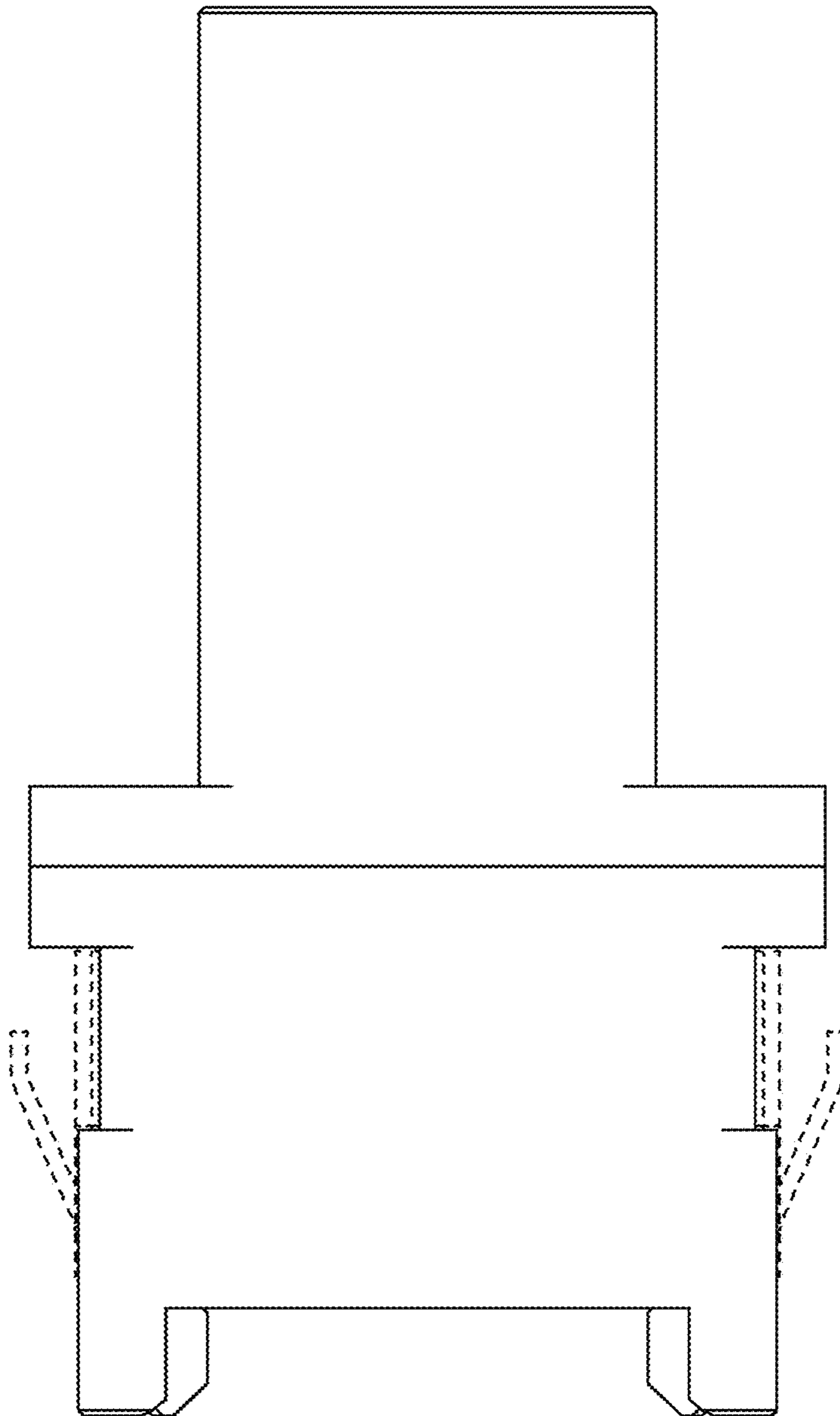


Fig. 5

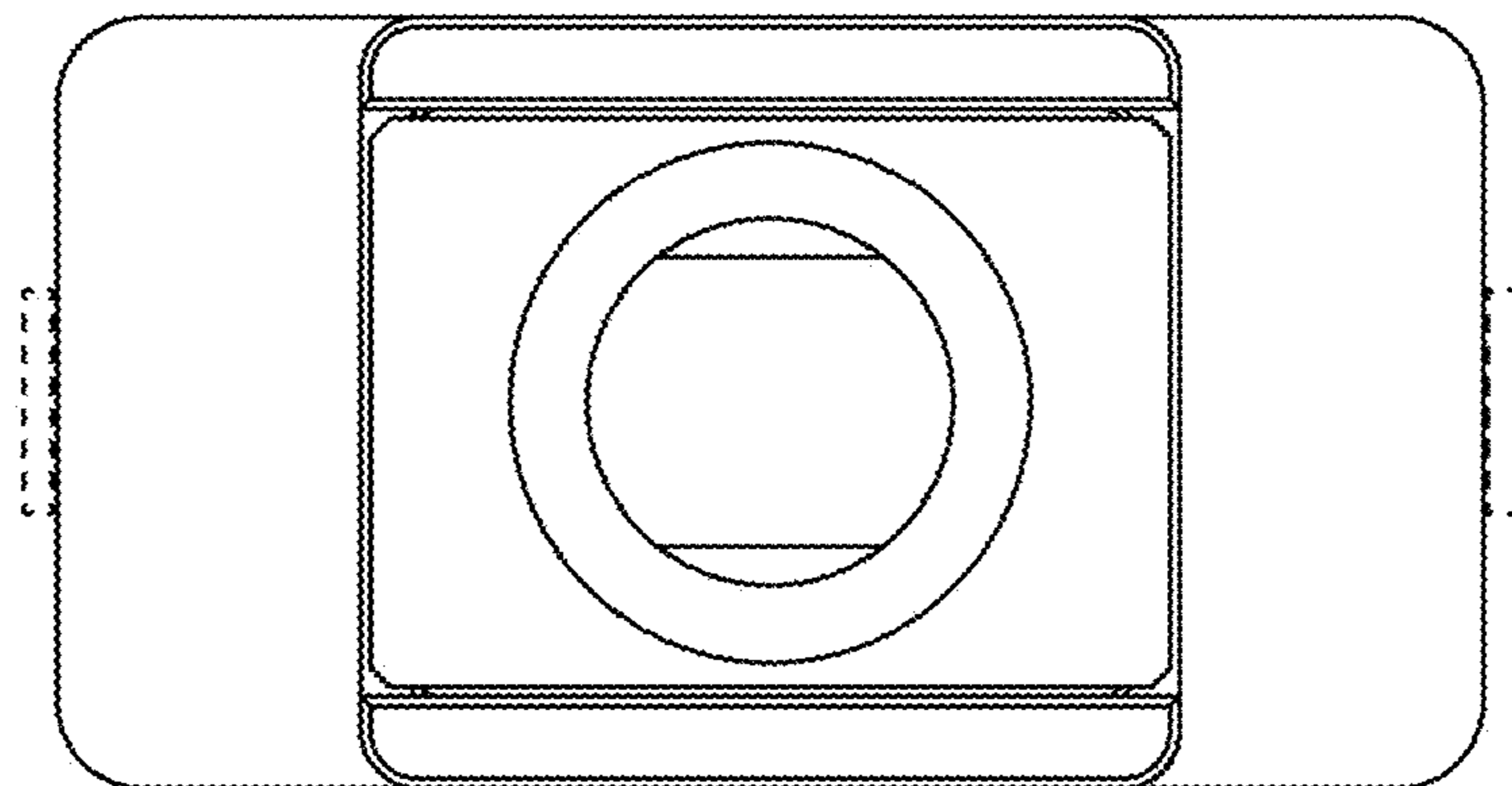


Fig. 6

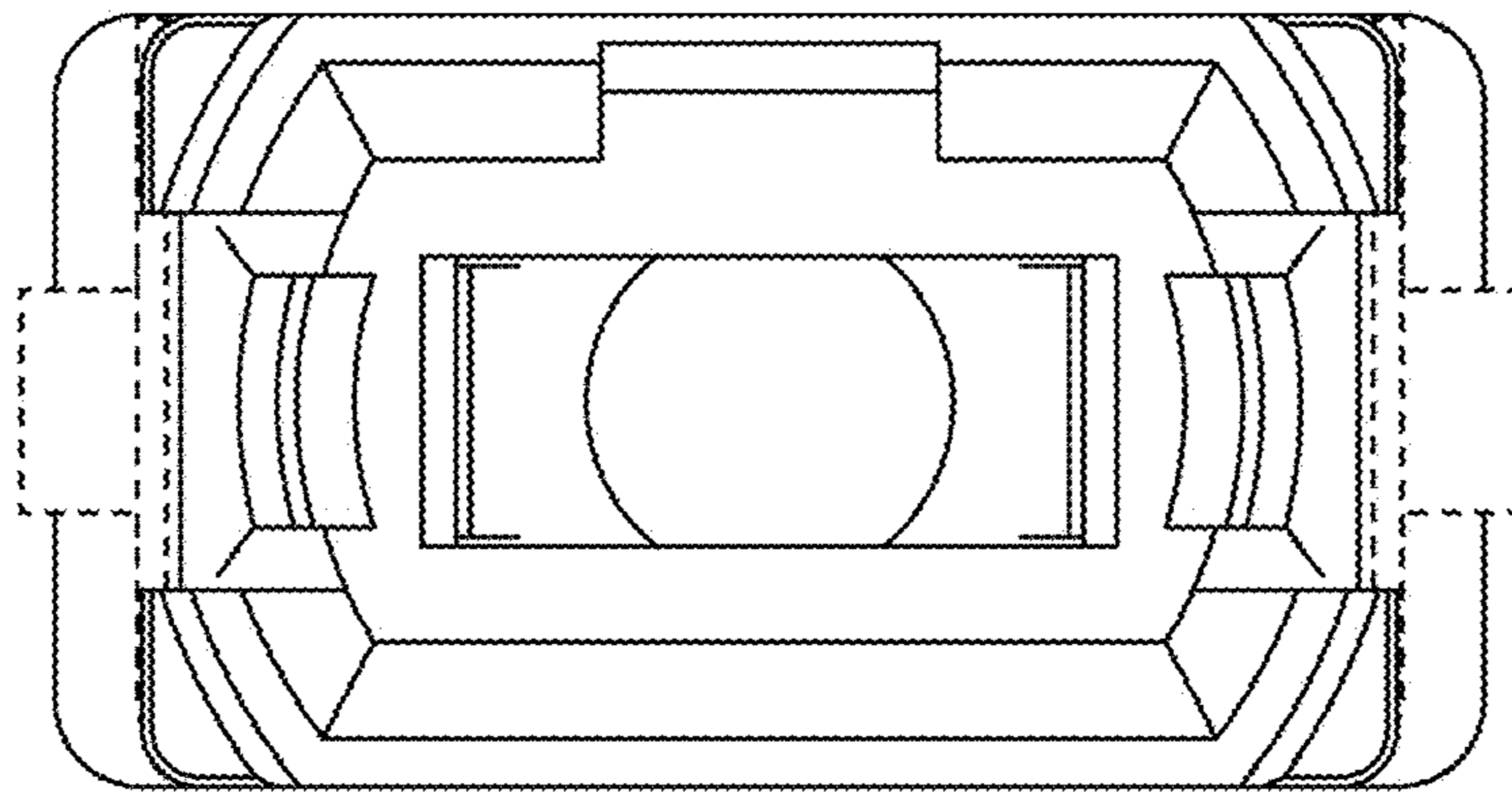


Fig. 7

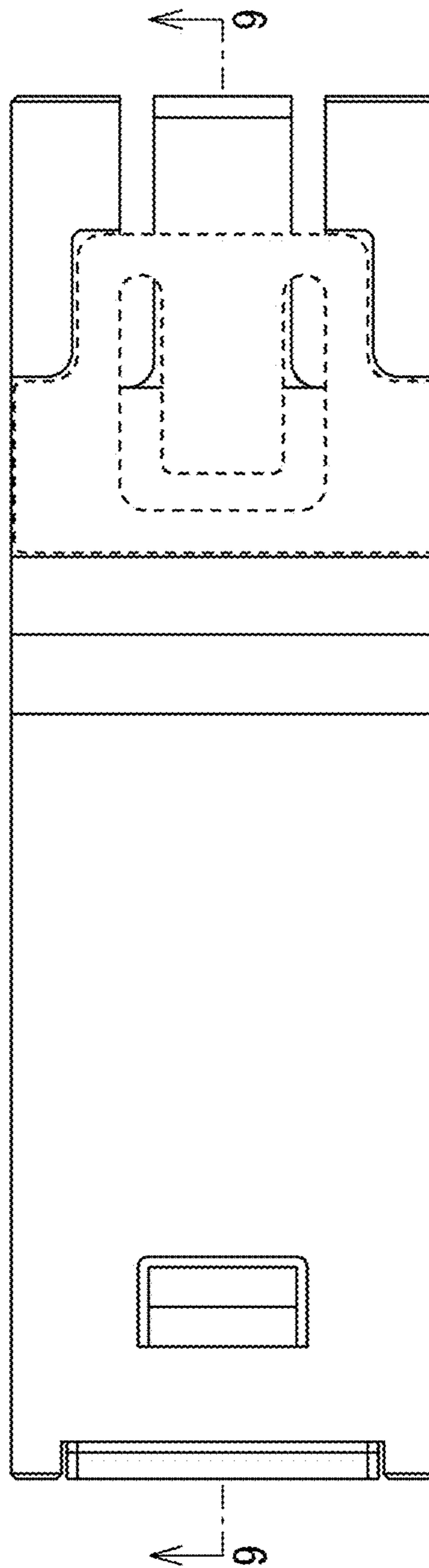




Fig. 8

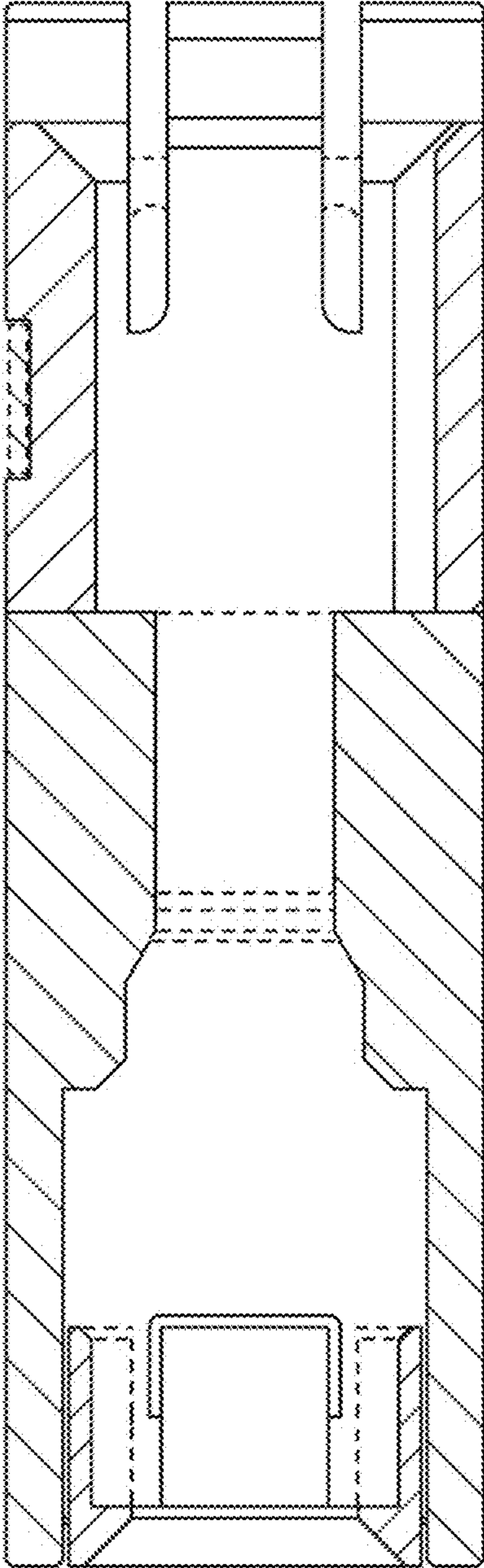


Fig. 9

