



US00D759593S

(12) **United States Design Patent**  
**Stone et al.**

(10) **Patent No.:** **US D759,593 S**  
(45) **Date of Patent:** **\*\* Jun. 21, 2016**

(54) **ULTRACAPACITOR MODULE**

(71) Applicant: **Maxwell Technologies, Inc.**, San Diego, CA (US)

(72) Inventors: **Kevin T. Stone**, San Diego, CA (US);  
**Steven Watts**, San Diego, CA (US);  
**Steven Shelton**, Escondido, CA (US);  
**Ishmael Rahimian**, San Diego, CA (US)

(73) Assignee: **Maxwell Technologies, Inc.**, San Diego, CA (US)

(\*\*) Term: **14 Years**

(21) Appl. No.: **29/519,359**

(22) Filed: **Mar. 4, 2015**

(51) **LOC (10) Cl.** ..... **13-03**

(52) **U.S. Cl.**  
USPC ..... **D13/125**

(58) **Field of Classification Search**  
USPC ..... D13/101, 118, 122, 123–125, 133, 148,  
D13/149, 154, 158–161, 184, 199  
CPC ..... H01G 4/00; H01G 4/06; H01G 4/38;  
H01G 9/00; H02N 1/00; H05K 7/20  
See application file for complete search history.

(56) **References Cited**

**U.S. PATENT DOCUMENTS**

D212,361 S	*	10/1968	Schuler et al.	.....	D13/179
D241,340 S	*	9/1976	Jones et al.	.....	D13/112
D332,443 S	*	1/1993	Sharpe	.....	D13/184
D402,640 S	*	12/1998	Witte	.....	D13/184
D453,139 S	*	1/2002	Yang	.....	D13/110
D553,566 S	*	10/2007	Katoh	.....	D13/125

2006/0262482	A1*	11/2006	Yamamoto	.....	H01G 9/008 361/329
2007/0053140	A1*	3/2007	Soliz	.....	H01G 2/02 361/502
2012/0206877	A1*	8/2012	Park	.....	H01G 2/08 361/689
2015/0351280	A1*	12/2015	Gonzalez Inda	...	H05K 7/20172 361/695

**OTHER PUBLICATIONS**

Maxwell 48 volt Modules, dated Oct. 11, 2014, [online], [site visited Dec. 10, 2015]. Available from Internet, <URL: <http://www.maxwell.com/products/ultracapacitors/48v-modules>>.\*

\* cited by examiner

*Primary Examiner* — Thomas Johannes

*Assistant Examiner* — Shawn T Gingrich

(74) *Attorney, Agent, or Firm* — Knobbe Martens Olson & Bear LLP

(57) **CLAIM**

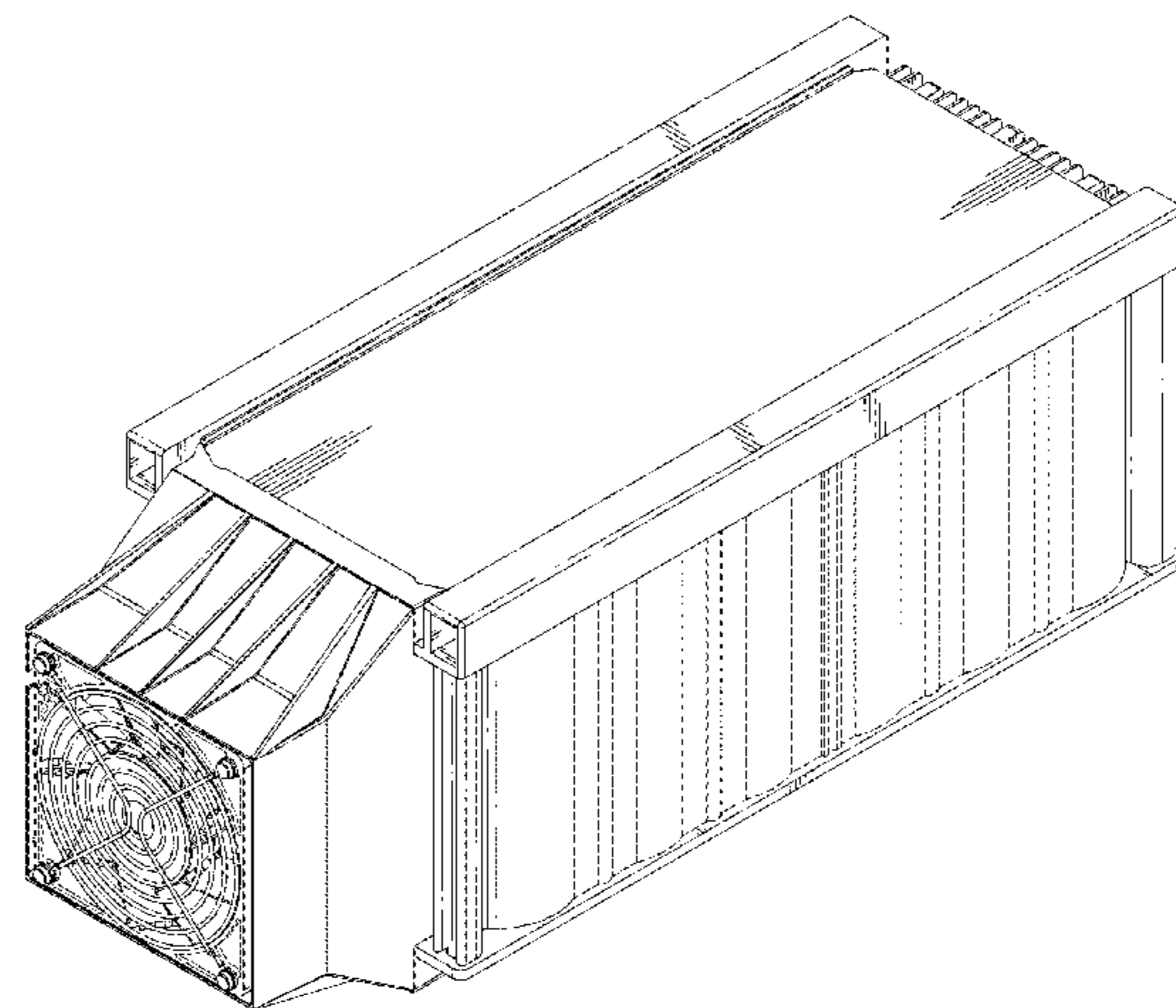
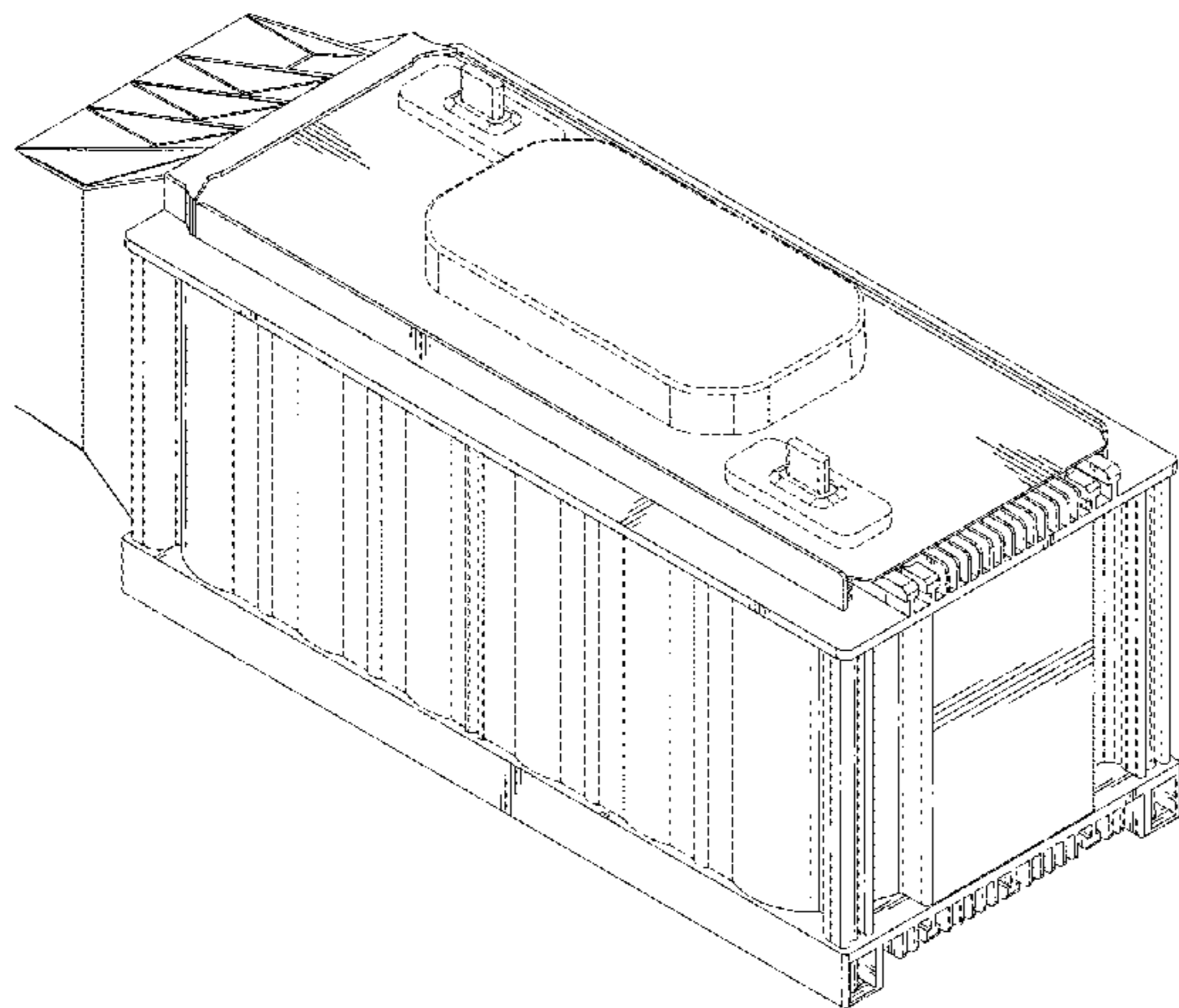
The ornamental design for ultracapacitor module, as shown and described.

**DESCRIPTION**

FIG. 1 is a top perspective view of an ultracapacitor module showing our new design;  
FIG. 2 is a bottom perspective view of the module of FIG. 1;  
FIG. 3 is a front view of the module of FIG. 1;  
FIG. 4 is a rear view of the module of FIG. 1;  
FIG. 5 is a left side view of the module of FIG. 1;  
FIG. 6 is a right side view of the module of FIG. 1;  
FIG. 7 is a top view of the module of FIG. 1; and,  
FIG. 8 is a bottom view of the module of FIG. 1.

The broken line portion of the figure drawings is included to show portions of the ultracapacitor module that form no part of the claimed design.

**1 Claim, 7 Drawing Sheets**



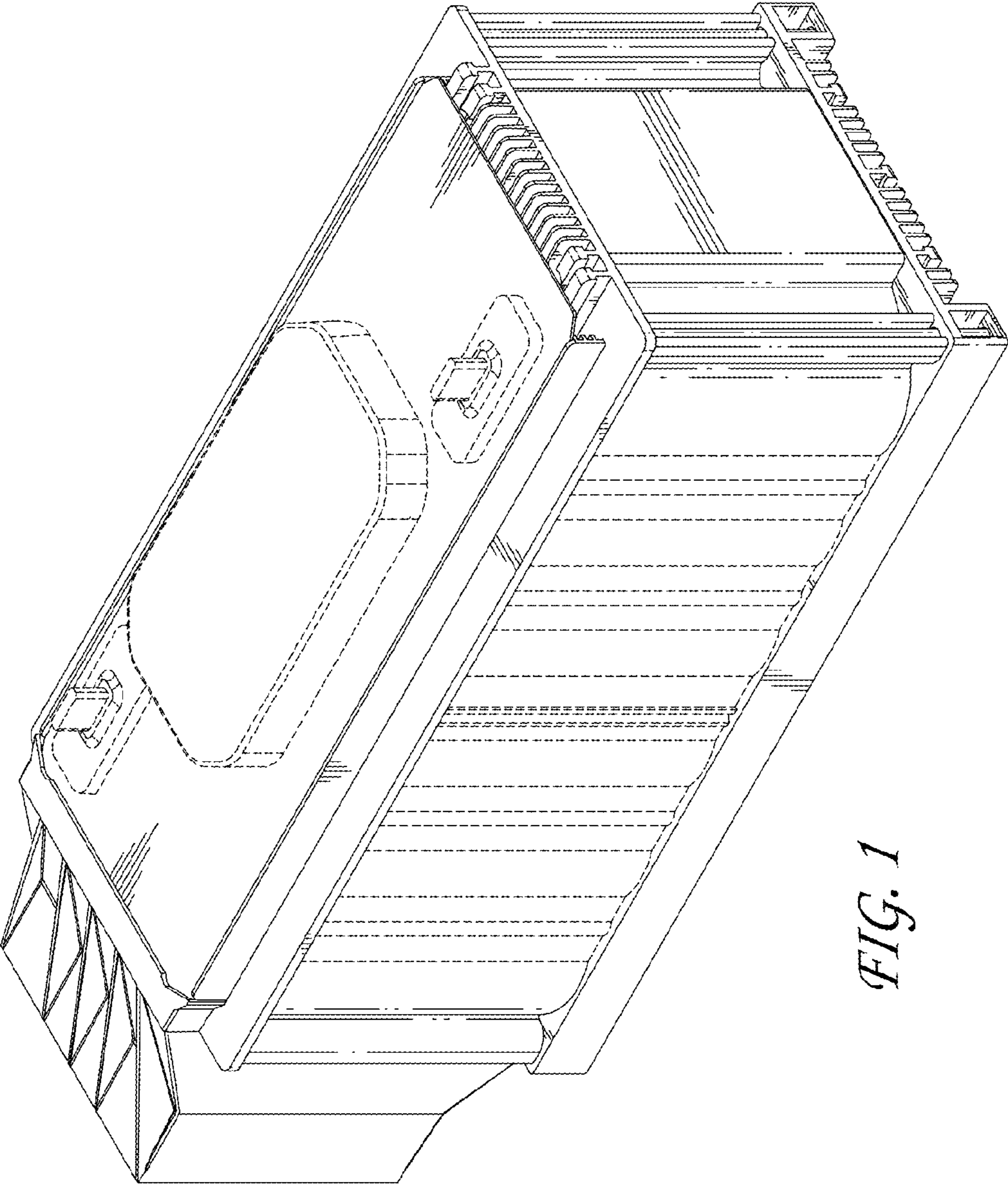


FIG. 1

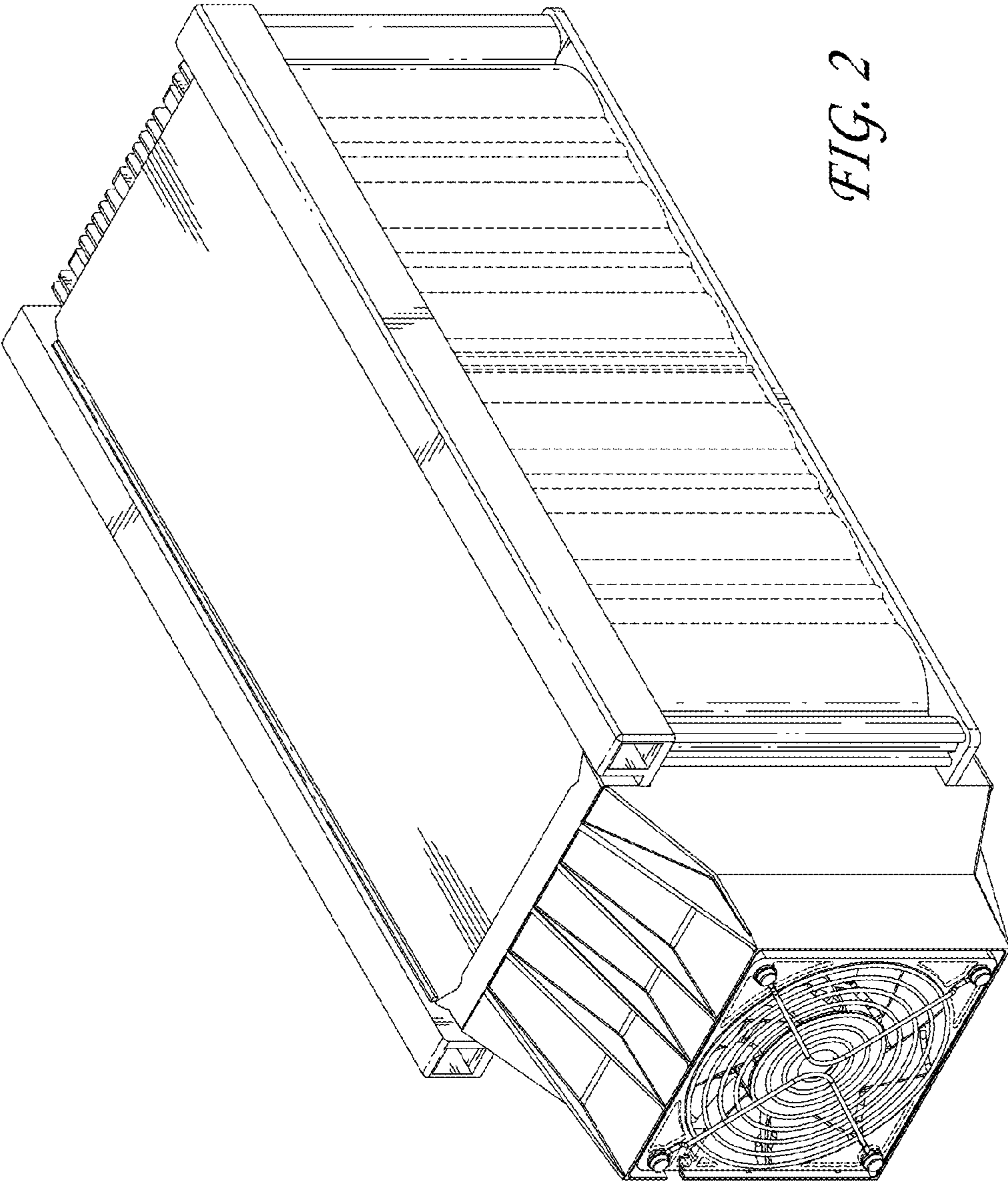
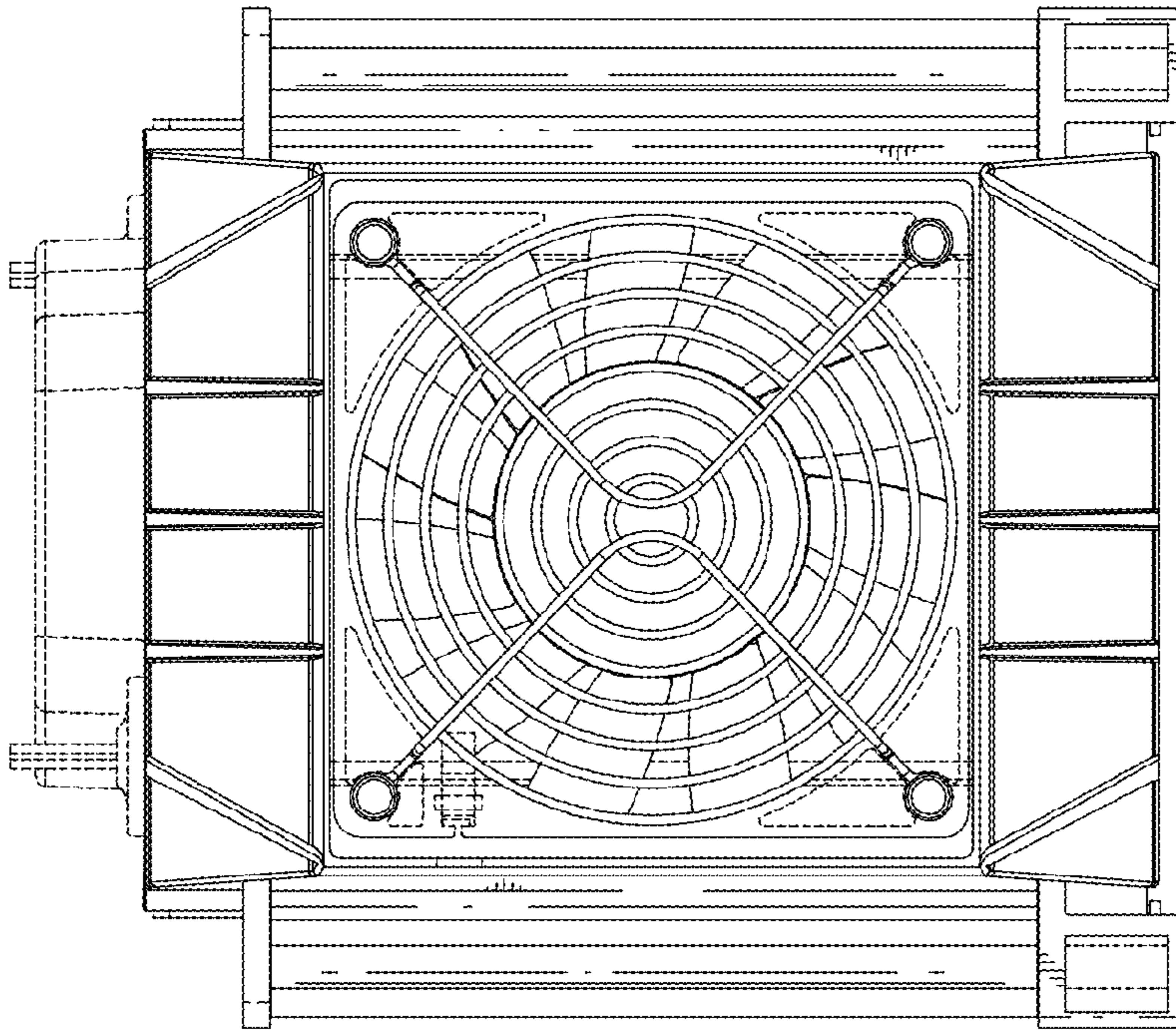
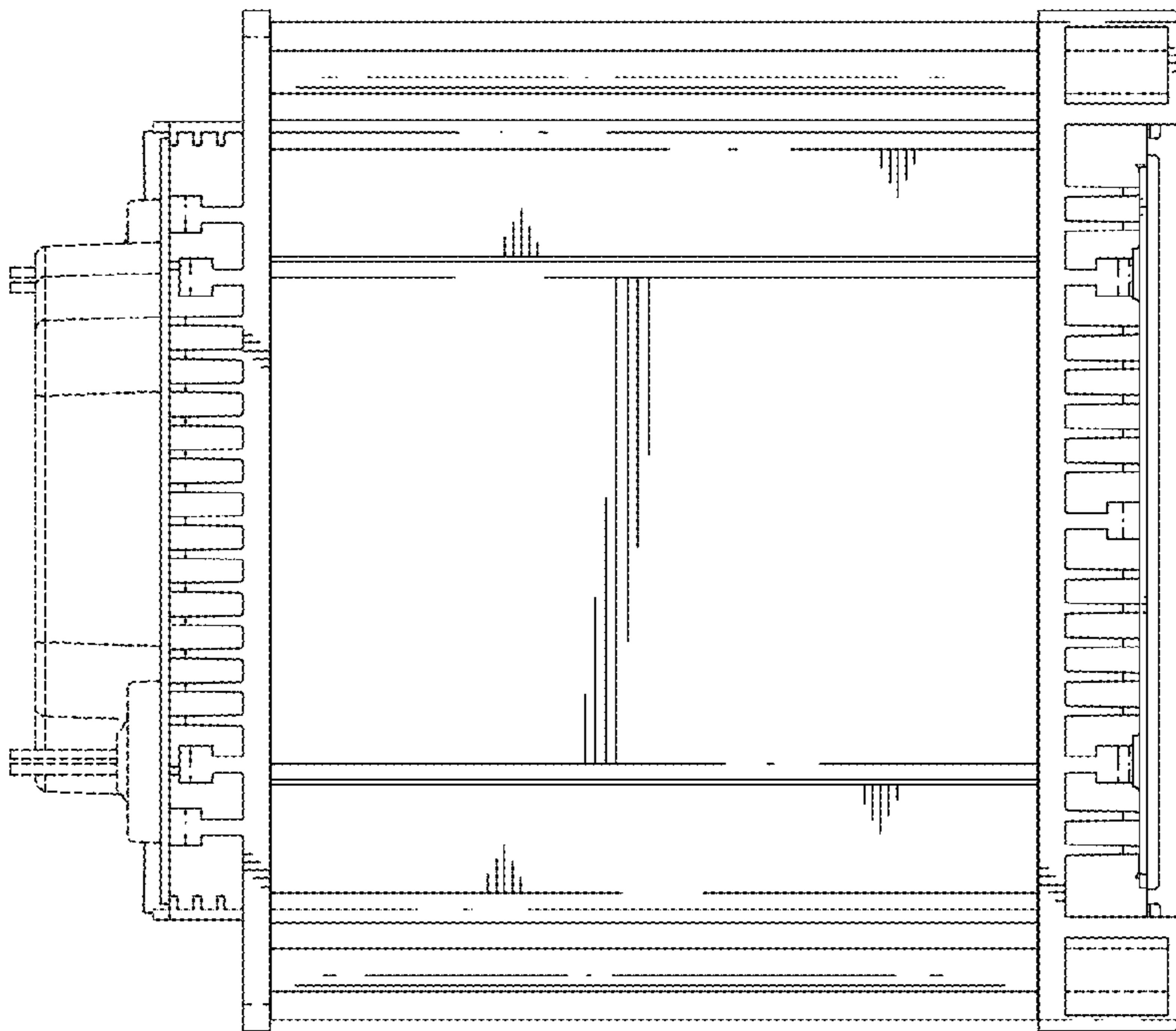


FIG. 2

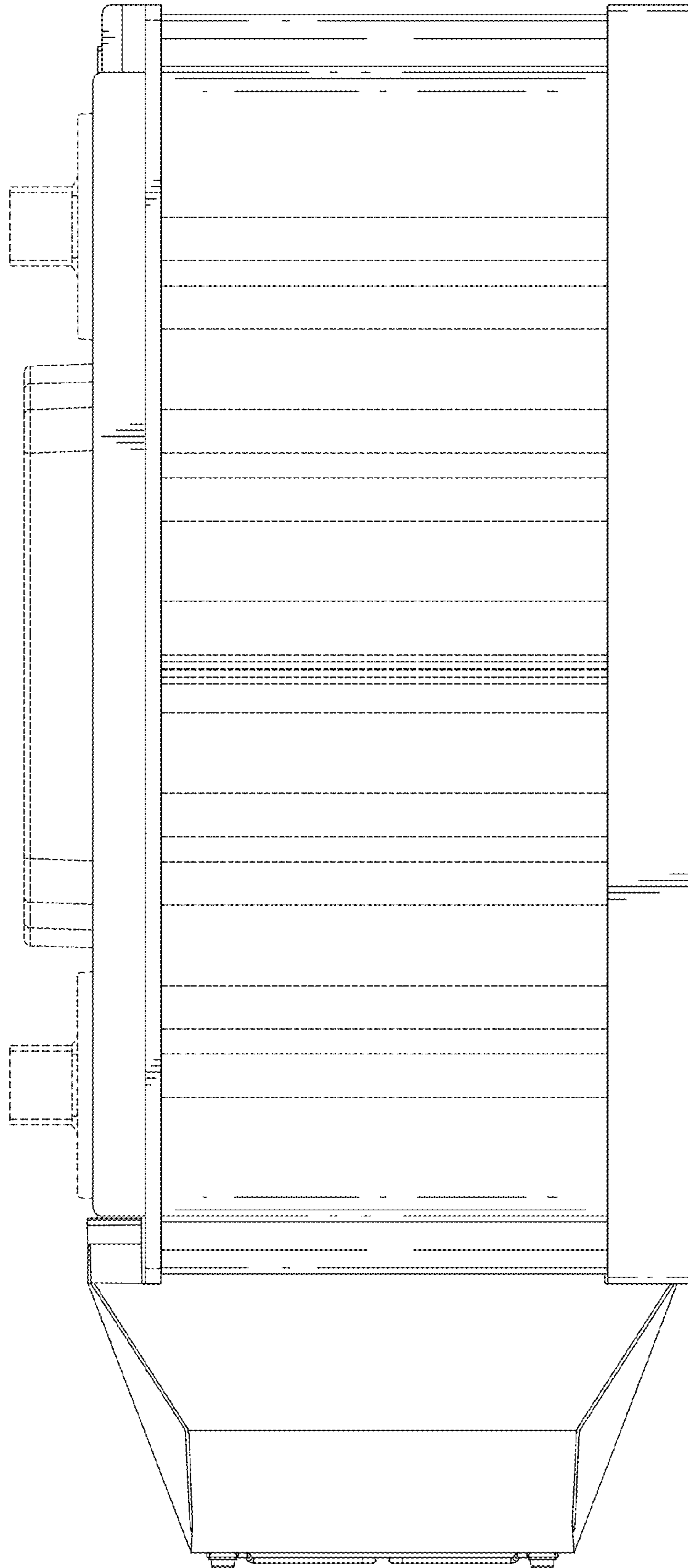




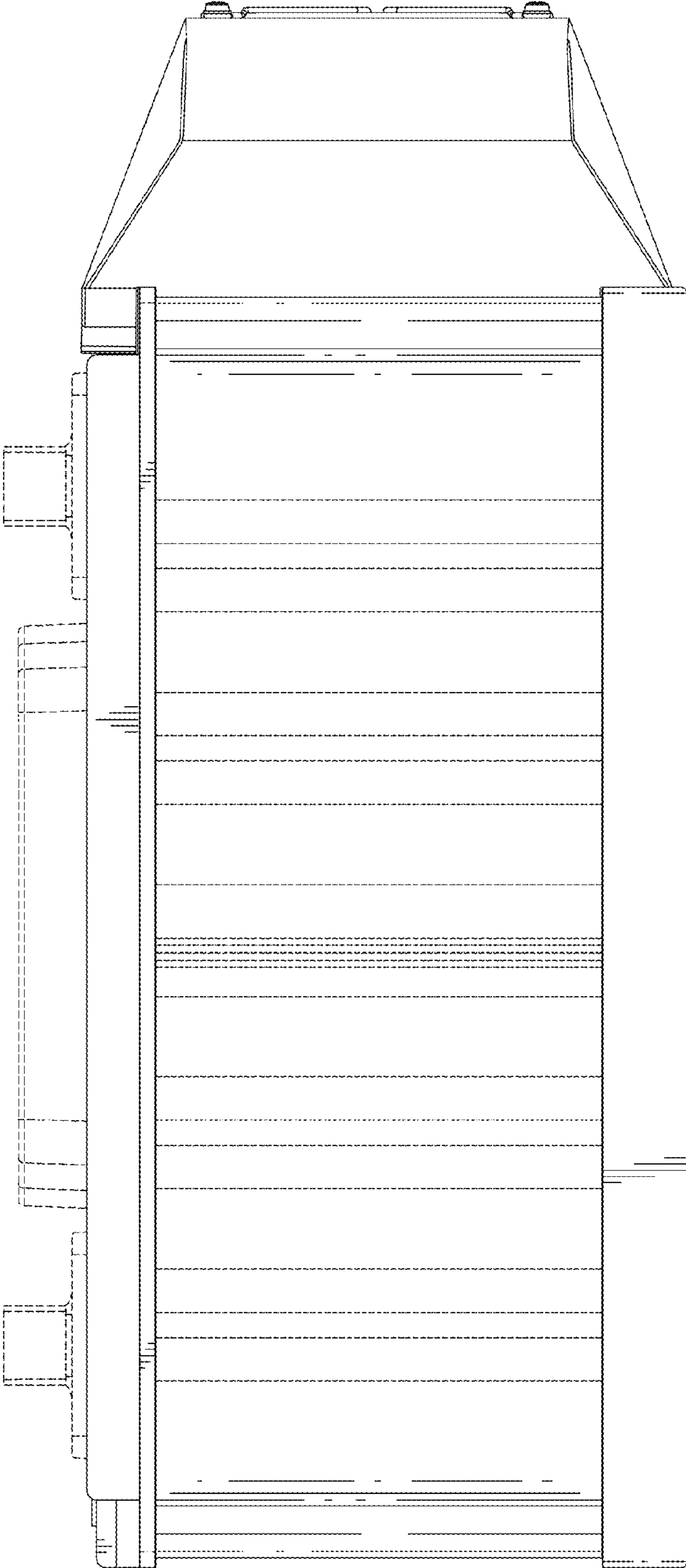
*FIG. 4*



*FIG. 3*



*FIG. 5*



*FIG. 6*

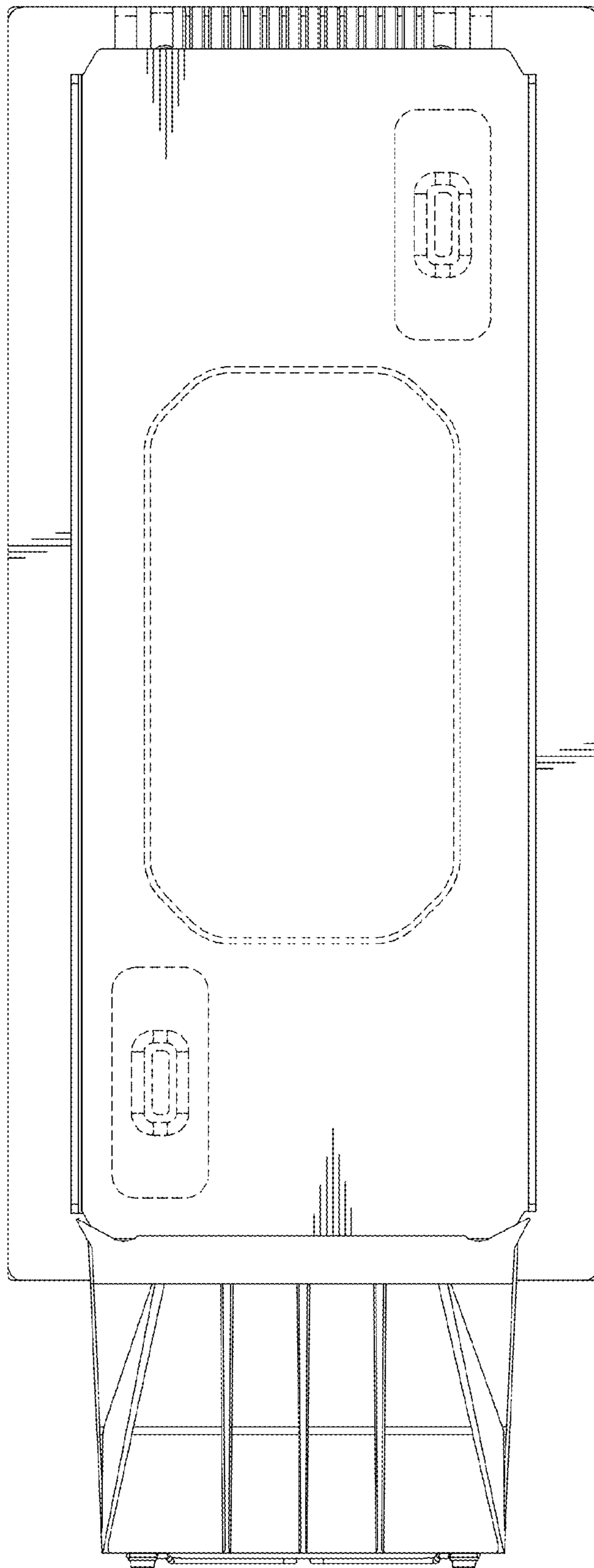


FIG. 7

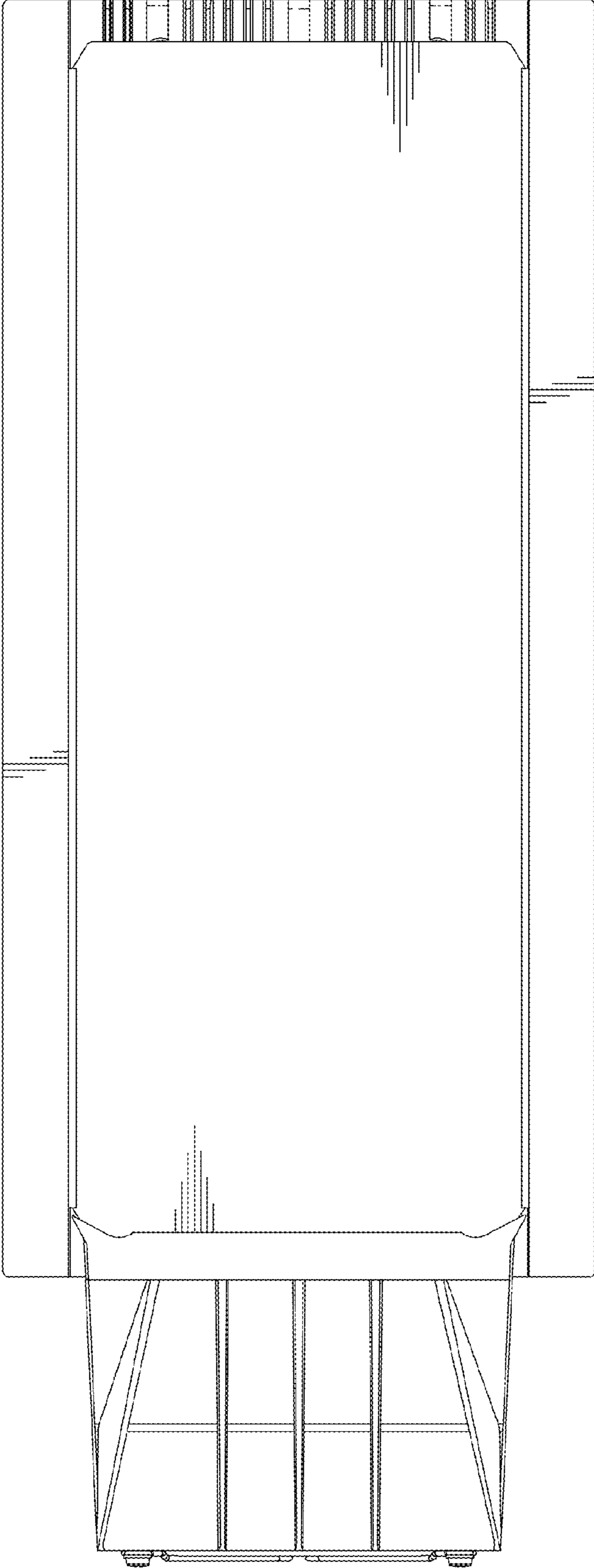


FIG. 8