



US00D759592S

(12) **United States Design Patent**  
**Santos et al.**

(10) **Patent No.:** **US D759,592 S**  
(45) **Date of Patent:** **\*\* Jun. 21, 2016**

(54) **BATTERY PACK LID**

(71) Applicant: **FLIR Surveillance, Inc.**, Wilsonville,  
OR (US)

(72) Inventors: **Carlos Santos**, Dracut, MA (US); **Irina Puscasu**, Winchester, MA (US)

(73) Assignee: **FLIR Surveillance, Inc.**, Wilsonville,  
OR (US)

(\*\*) Term: **15 Years**

(21) Appl. No.: **29/531,992**

(22) Filed: **Jun. 30, 2015**

(51) **LOC (10) Cl.** ..... **13-02**

(52) **U.S. Cl.**  
USPC ..... **D13/119**

(58) **Field of Classification Search**  
USPC ..... D13/103, 104, 133, 110, 120, 107, 119,  
D13/156; 429/175; D9/435  
CPC ..... H01R 13/641; H01M 2/1027; H01M  
2/1022; H01M 2/1072; H01M 2/105; H01M  
2/1077

See application file for complete search history.

(56) **References Cited**

**U.S. PATENT DOCUMENTS**

D121,225 S *	6/1940	Rolph	429/175
D306,830 S *	3/1990	DeCoster	D9/435
D352,498 S *	11/1994	Beidler	D13/104
D408,351 S *	4/1999	Shim	D13/103
D490,056 S *	5/2004	Johnson	D13/119
D491,888 S *	6/2004	Lee	D13/103
D586,739 S *	2/2009	Zaremba	D13/103
D606,938 S *	12/2009	Mack	D13/119
D619,961 S *	7/2010	Eilertsen	D13/120
D621,353 S *	8/2010	Mack	D13/119

D654,021 S *	2/2012	Sweeney	D13/110
D654,850 S *	2/2012	Obata	D13/103
D719,095 S *	12/2014	Oota	D13/103
D740,753 S *	10/2015	Vanbecelaere	D13/120
2011/0293979 A1 *	12/2011	Igarashi	H01M 2/1072 429/99
2012/0006719 A1 *	1/2012	Celona	H01M 2/1022 206/703
2012/0045675 A1 *	2/2012	Hain	H01M 2/105 429/99
2012/0219846 A1 *	8/2012	Chan	H01M 2/0242 429/159
2013/0136971 A1 *	5/2013	Igarashi	H01M 2/1072 429/99
2013/0183562 A1 *	7/2013	Workman	H01M 2/204 429/100

\* cited by examiner

*Primary Examiner* — Derrick Holland

*Assistant Examiner* — Jennifer O King

(74) *Attorney, Agent, or Firm* — Wolf, Greenfield & Sacks, P.C.

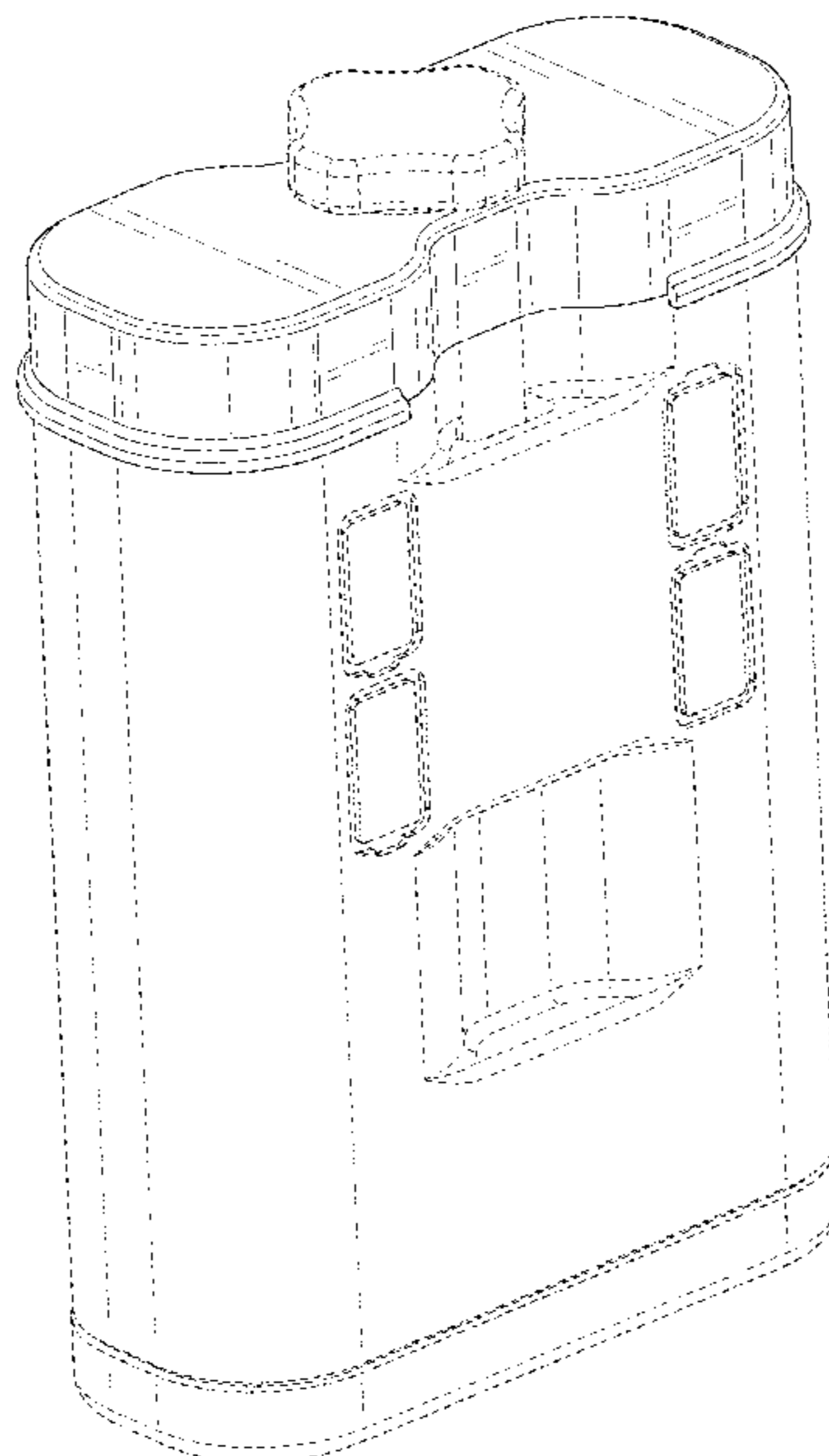
(57) **CLAIM**

The ornamental design for a battery pack lid, as shown and described.

**DESCRIPTION**

FIG. 1 is a front, top perspective view of a battery pack lid; FIG. 2 is a front, bottom perspective view thereof; FIG. 3 is a front elevation view thereof; FIG. 4 is a back elevation view thereof; FIG. 5 is a right side elevation view thereof; FIG. 6 is a left side elevation view thereof; FIG. 7 is a top plan view thereof; and, FIG. 8 is a bottom plan view thereof. The broken lines shown represent unclaimed subject matter and form no part of the claimed design.

**1 Claim, 6 Drawing Sheets**



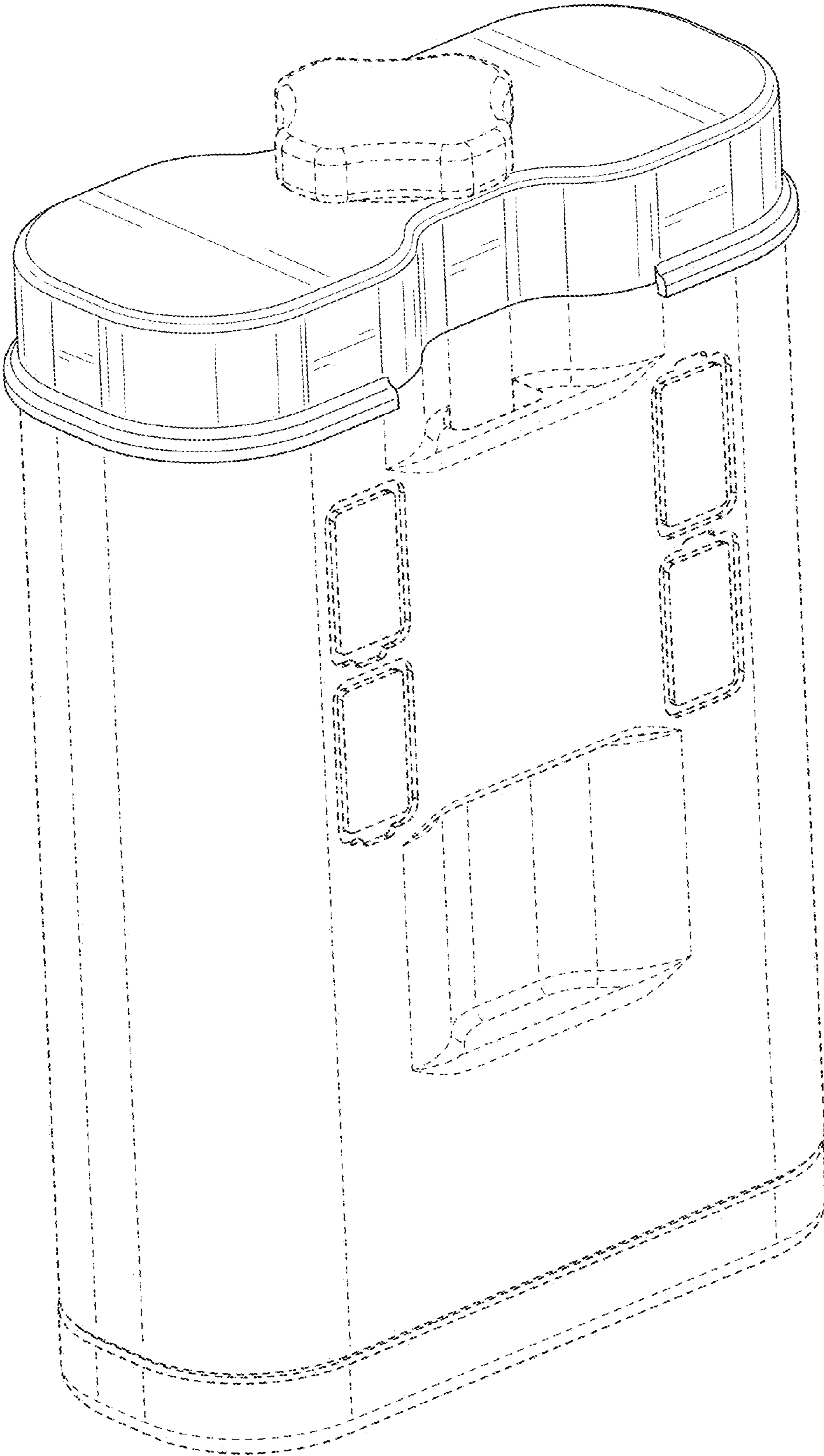


FIG. 1

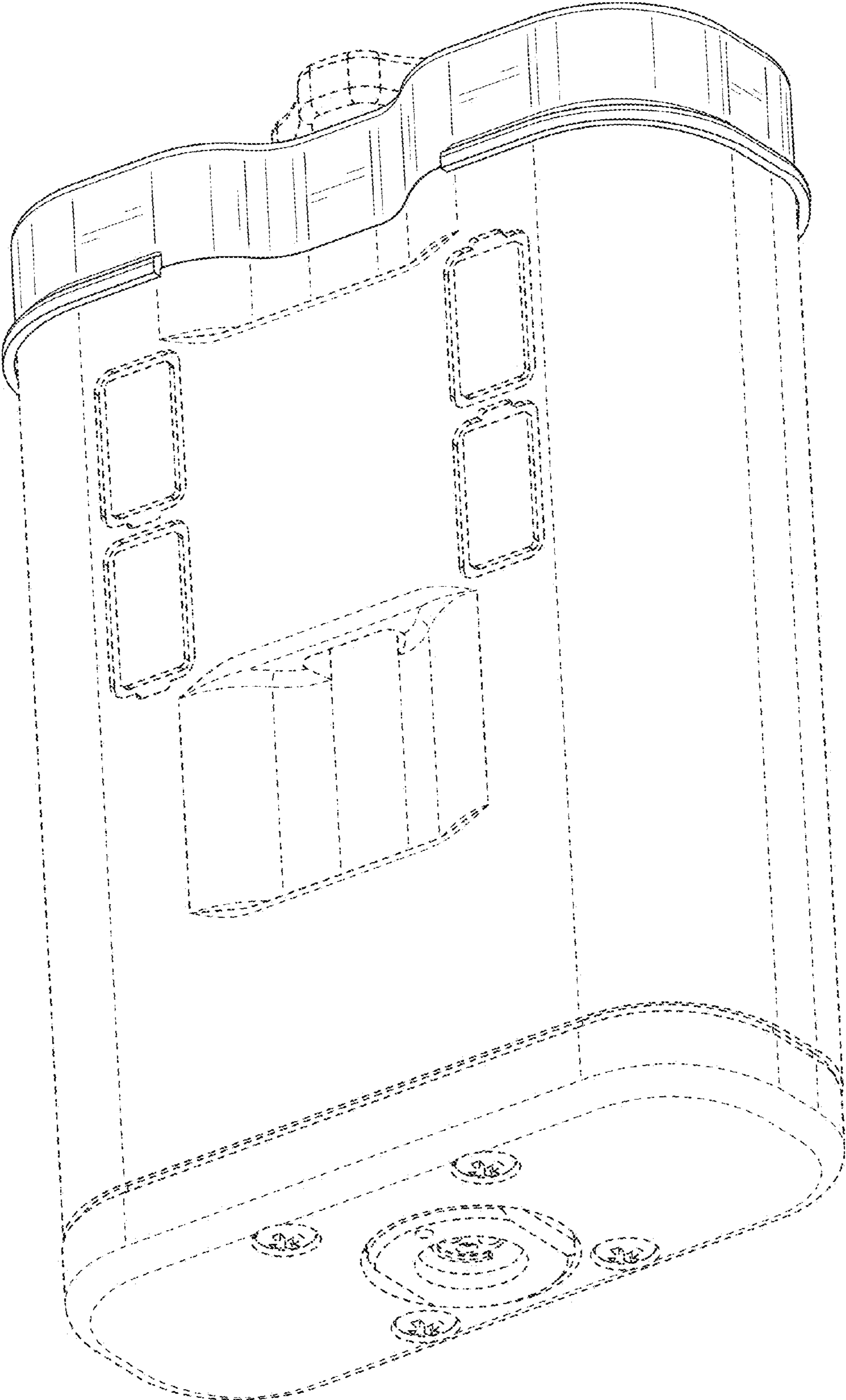


FIG. 2

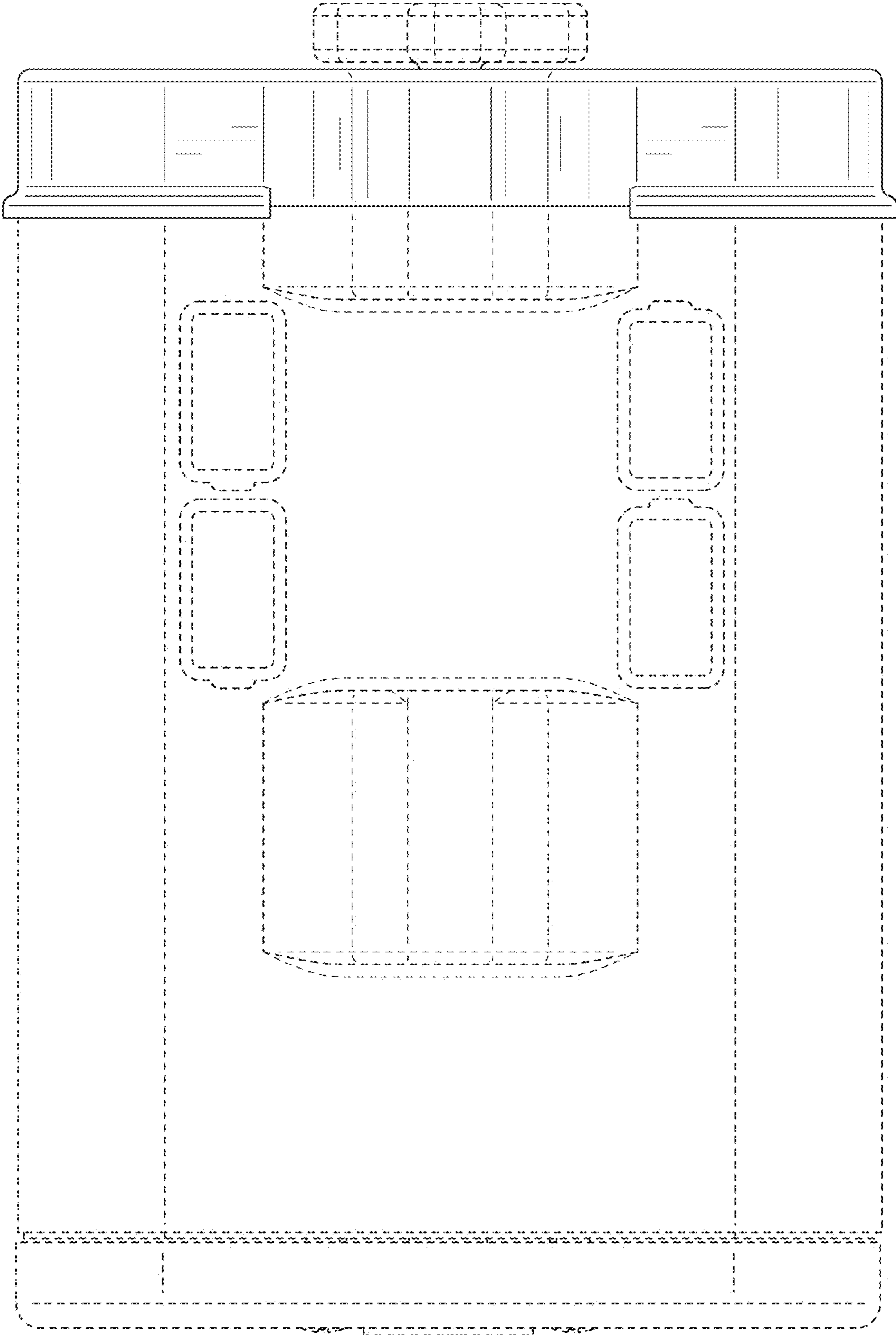


FIG. 3

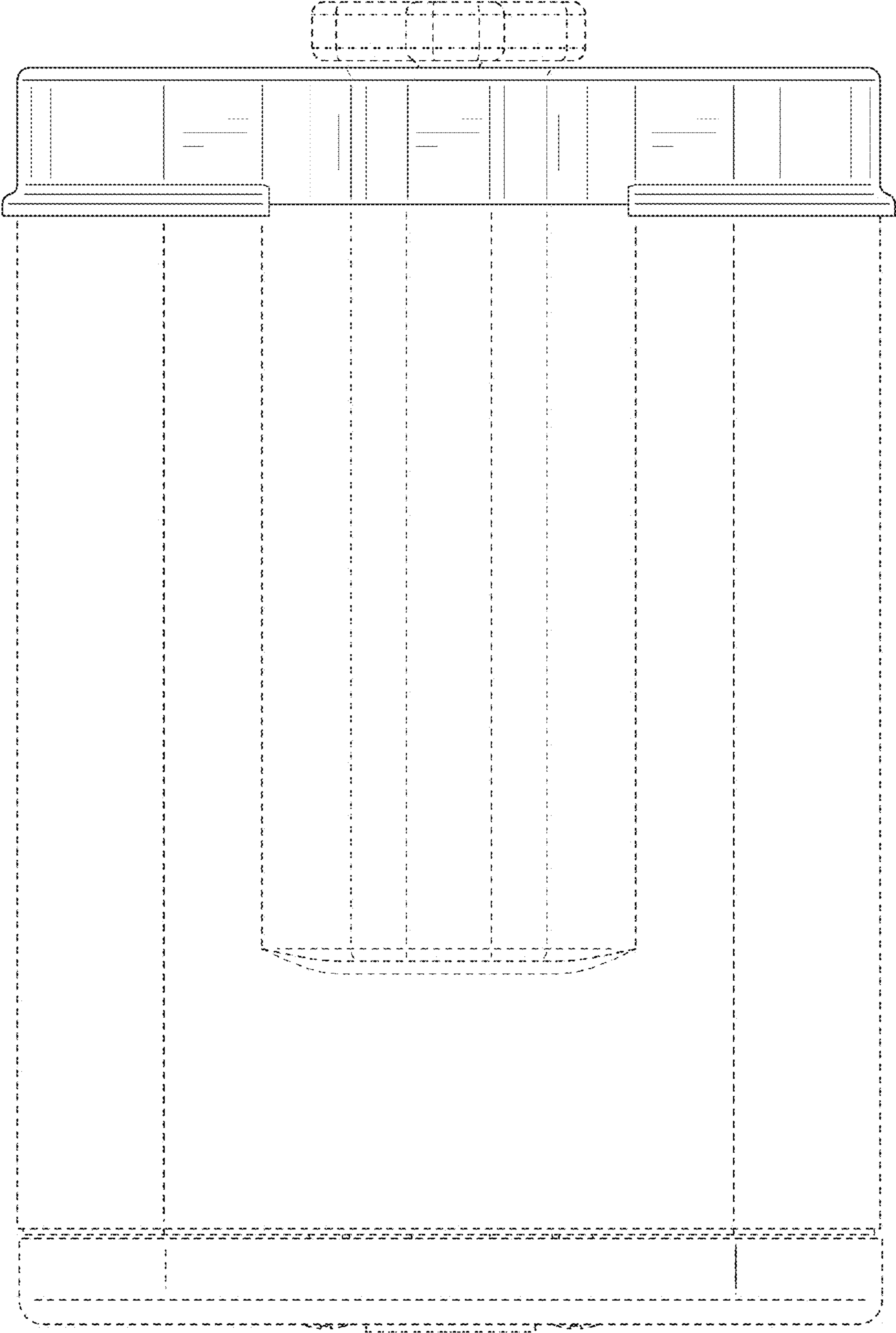


FIG. 4

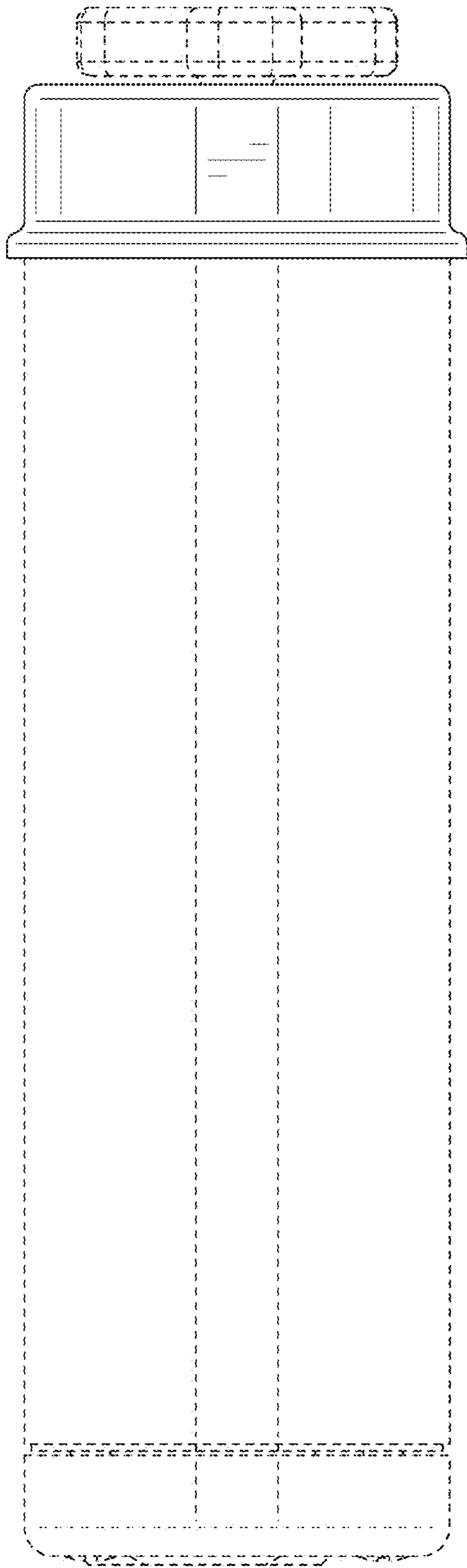


FIG. 5

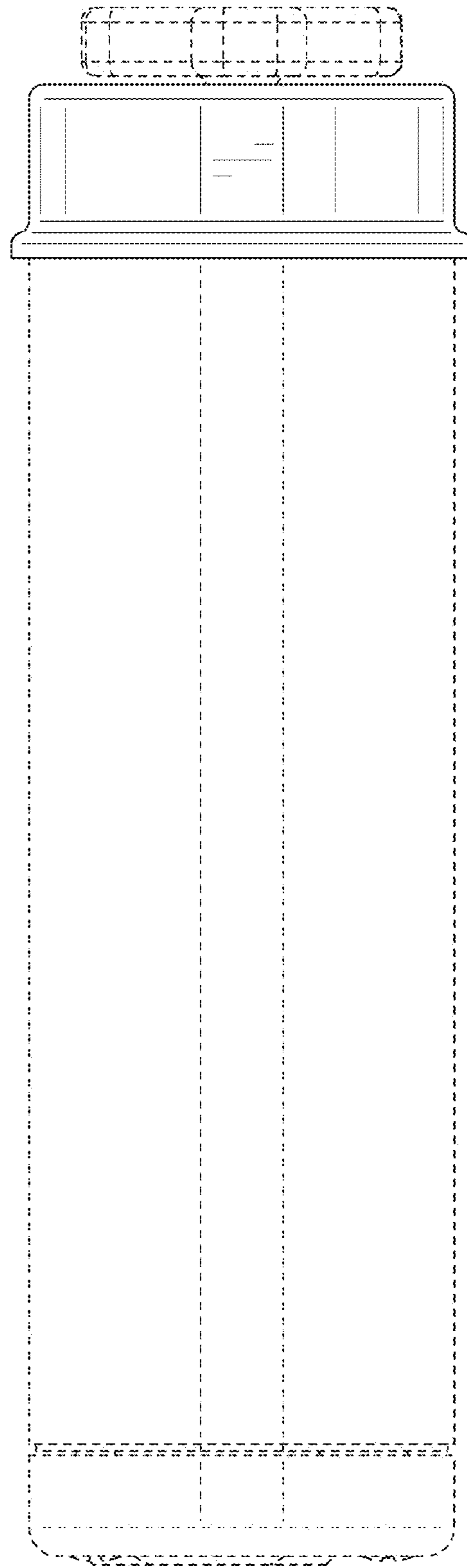


FIG. 6

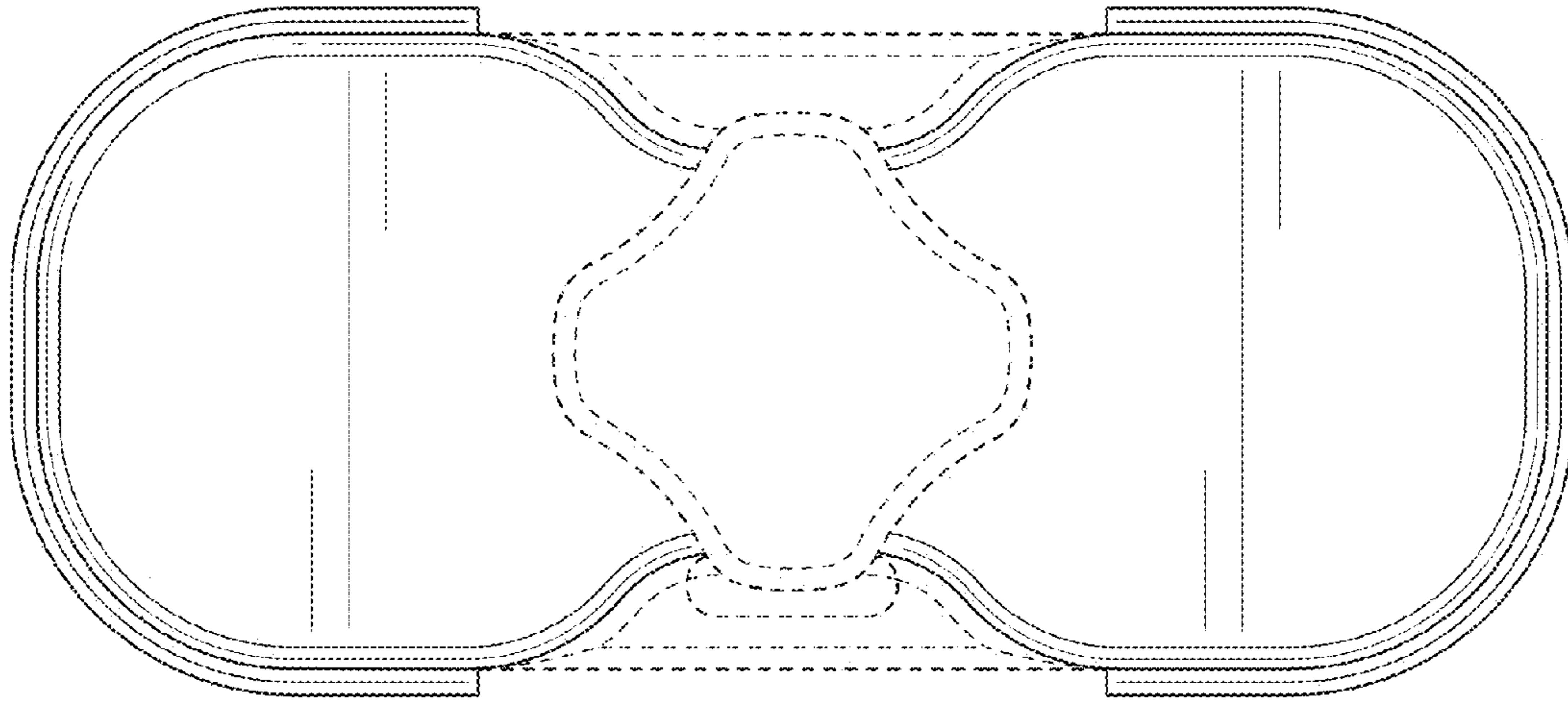


FIG. 7

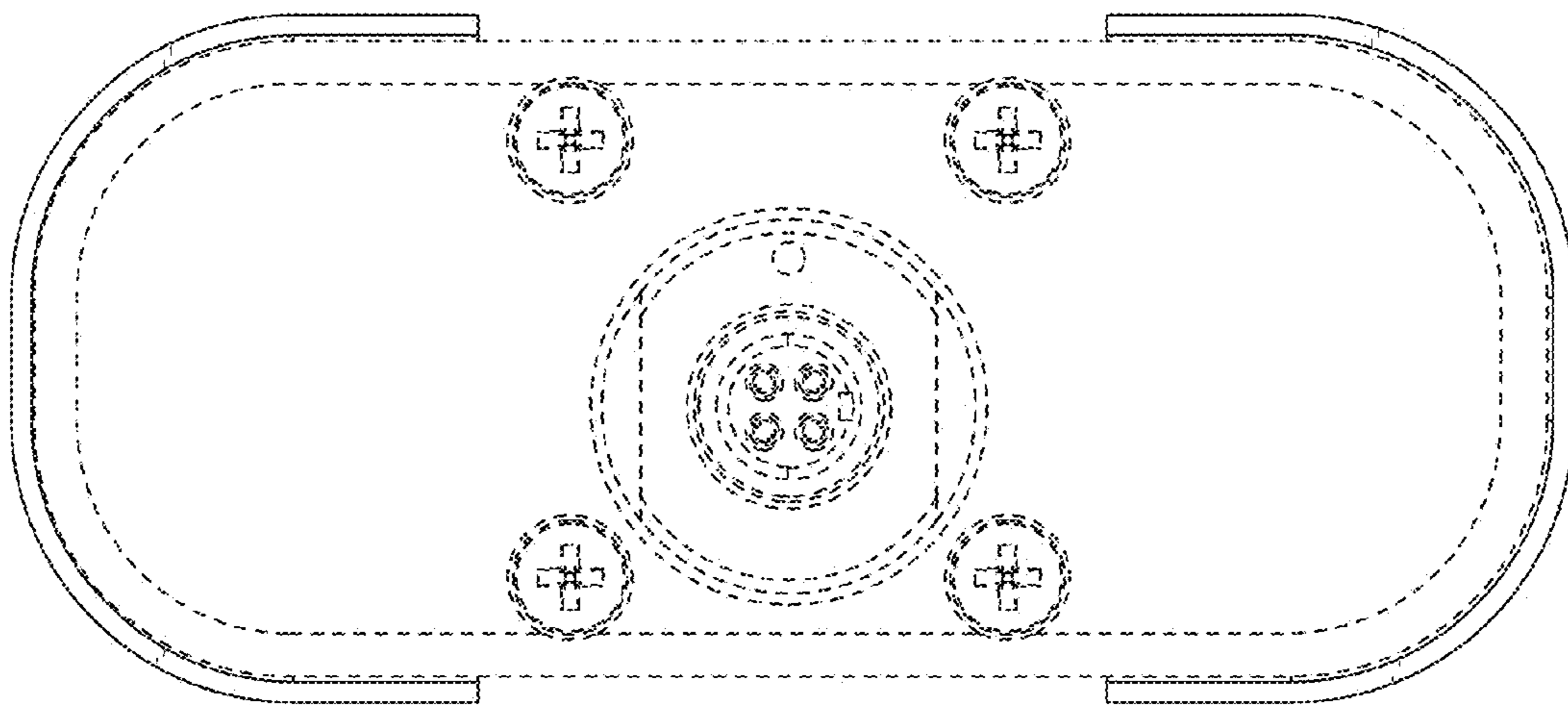


FIG. 8