



US00D759591S

(12) **United States Design Patent**
Swett et al.

(10) **Patent No.:** **US D759,591 S**
(45) **Date of Patent:** **** Jun. 21, 2016**

- (54) **BATTERY**
- (71) Applicant: **iRobot Corporation**, Bedford, MA (US)
- (72) Inventors: **David Orrin Swett**, Waltham, MA (US);
Rogelio Manfred Neumann,
Somerville, MA (US); **Adam Daniel**
Leech, Melrose, MA (US)
- (73) Assignee: **iRobot Corporation**, Bedford, MA (US)
- (**) Term: **15 Years**
- (21) Appl. No.: **29/528,770**
- (22) Filed: **Jun. 1, 2015**
- (51) **LOC (10) Cl.** **13-02**
- (52) **U.S. Cl.**
USPC **D13/119**
- (58) **Field of Classification Search**
USPC D13/103, 104, 133, 110, 107, 119, 120,
D13/156; 429/175; D9/435
CPC H01R 13/641; H01M 2/1027; H01M
2/1022; H01M 2/1072; H01M 2/105; H01M
2/1077
See application file for complete search history.

- D654,850 S * 2/2012 Obata D13/103
- D654,856 S * 2/2012 Inskeep D13/107
- D674,751 S * 1/2013 Ito D13/120
- D678,186 S * 3/2013 Horiuchi D13/103
- D718,237 S * 11/2014 Asakura D13/110
- D740,752 S * 10/2015 Kitsugi D13/119

* cited by examiner

Primary Examiner — Derrick Holland

Assistant Examiner — Jennifer O King

(74) *Attorney, Agent, or Firm* — Fish & Richardson P.C.

(57) **CLAIM**

The ornamental design for a battery, substantially as shown and described.

DESCRIPTION

FIG. 1 is a top, front perspective view of our battery.
 FIG. 2 is a top, rear perspective view of our battery.
 FIG. 3 is a bottom, front perspective view of our battery.
 FIG. 4 is a bottom, rear perspective view of our battery.
 FIG. 5 is a front view of our battery.
 FIG. 6 is a rear view of our battery.
 FIG. 7 is a right side view of our battery.
 FIG. 8 is a left side view of our battery.
 FIG. 9 is a top view of our battery; and,
 FIG. 10 is a bottom view of our battery.

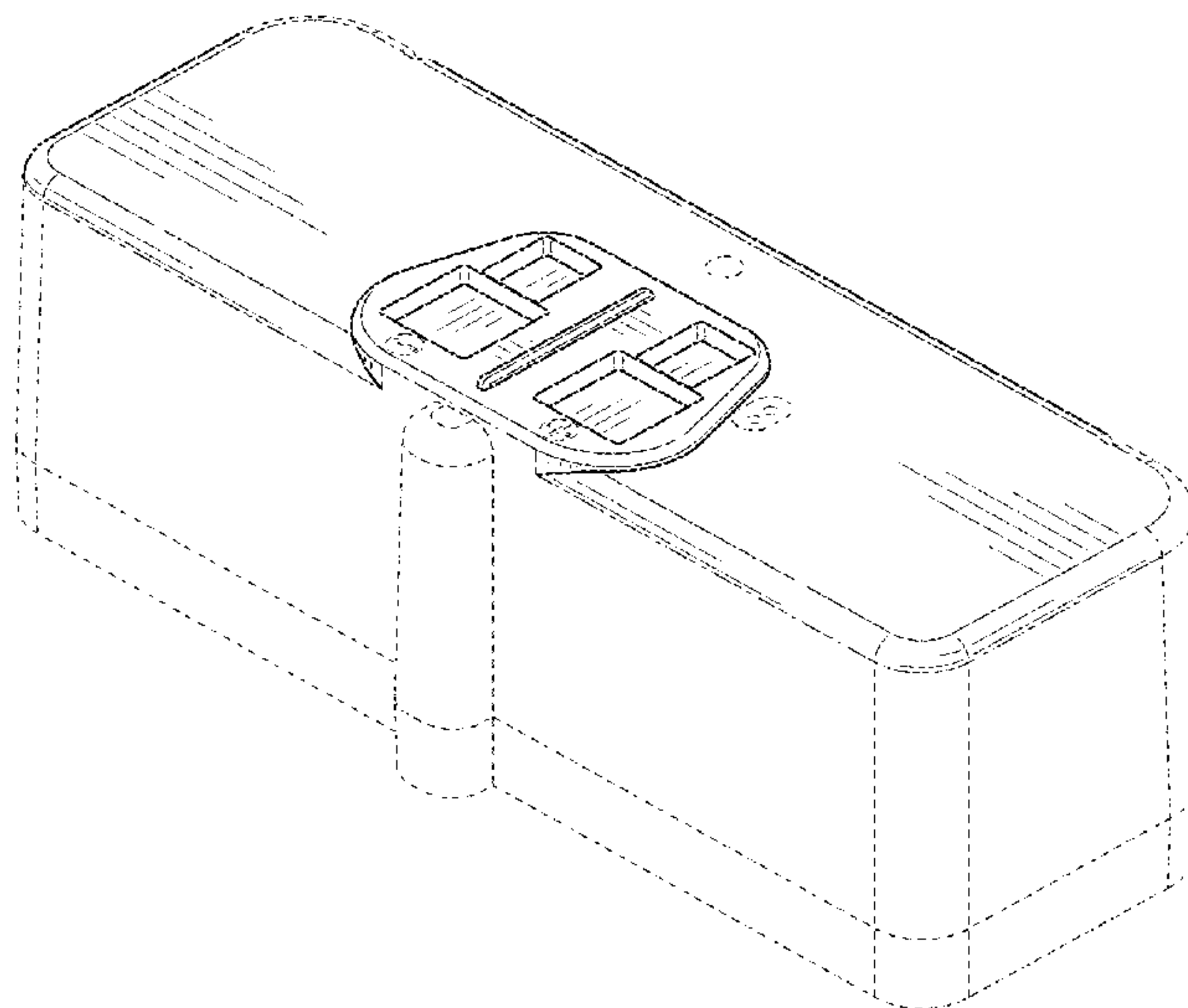
The broken lines shown represent unclaimed subject matter only and form no part of the claim. Where the dot-dash broken lines abut the shaded surface it is understood that those broken lines represent an unclaimed boundary between claimed and unclaimed surfaces. None of the broken lines form any part of the claimed design.

1 Claim, 5 Drawing Sheets

(56) **References Cited**

U.S. PATENT DOCUMENTS

- D121,225 S * 6/1940 Rolph 429/175
- D352,498 S * 11/1994 Beidler D13/104
- D426,190 S * 6/2000 Higgins D13/103
- D619,961 S * 7/2010 Eilertsen D13/120
- D635,512 S * 4/2011 Tatehata D13/119
- D644,176 S * 8/2011 Sato D13/119



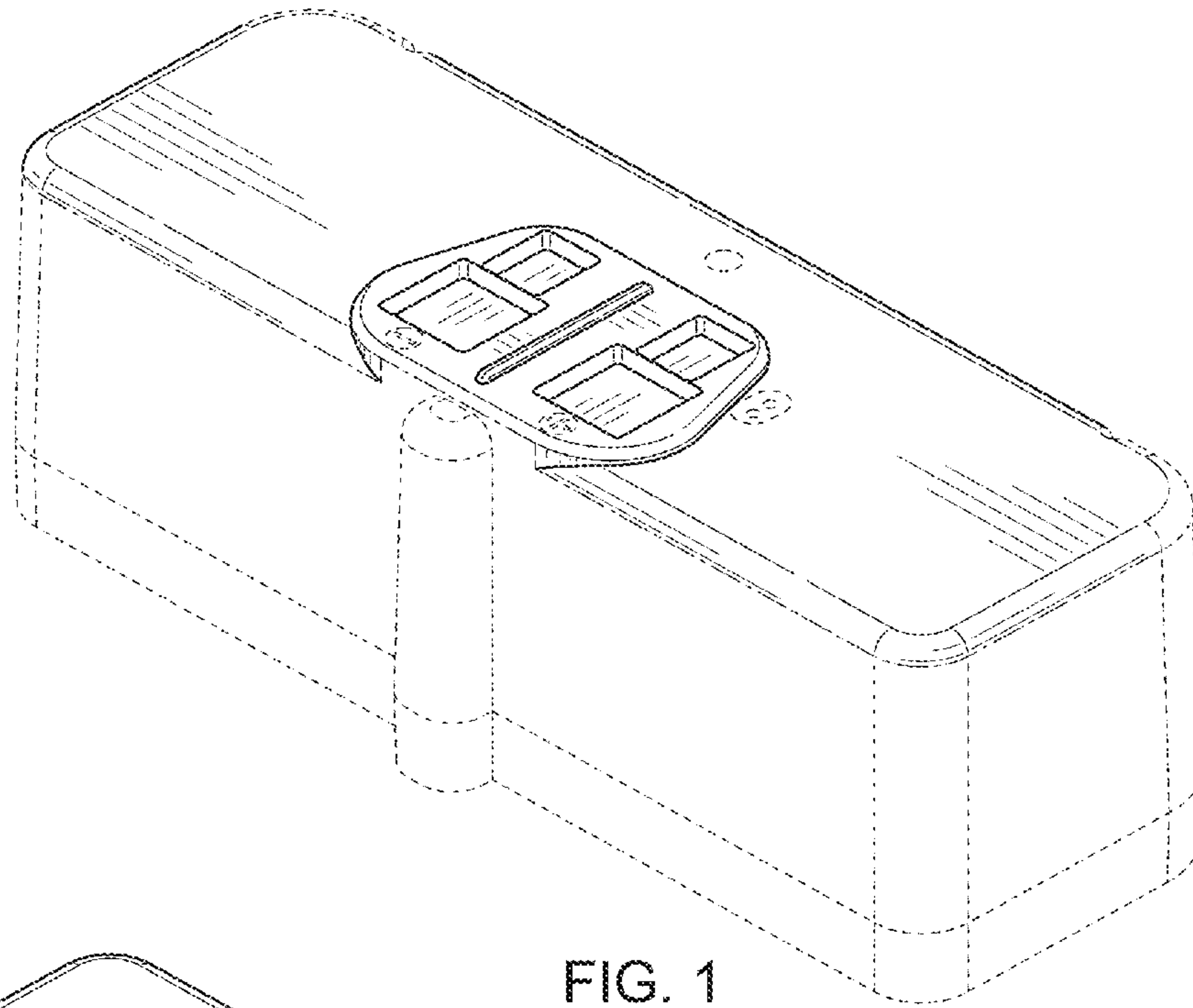


FIG. 1

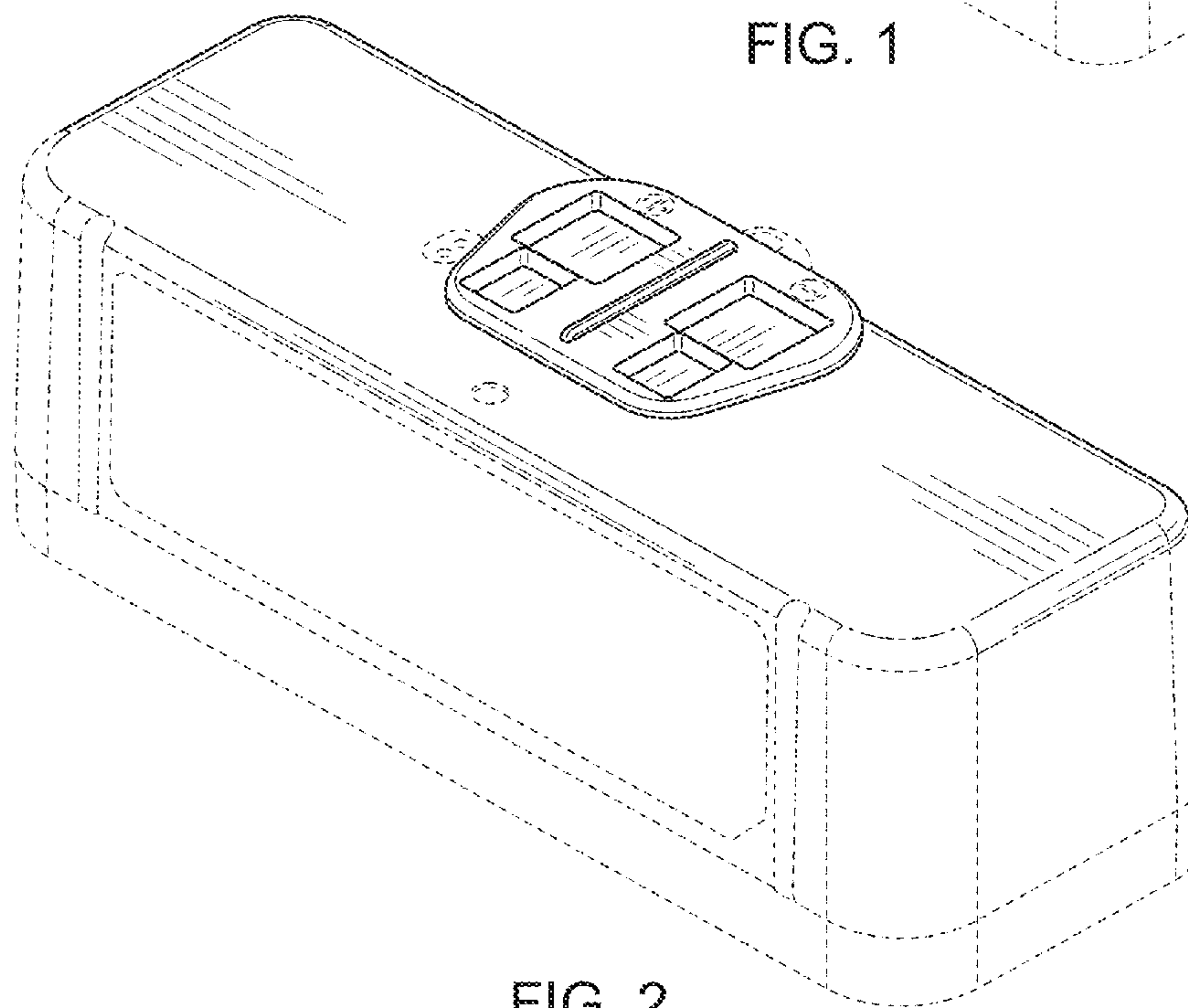


FIG. 2

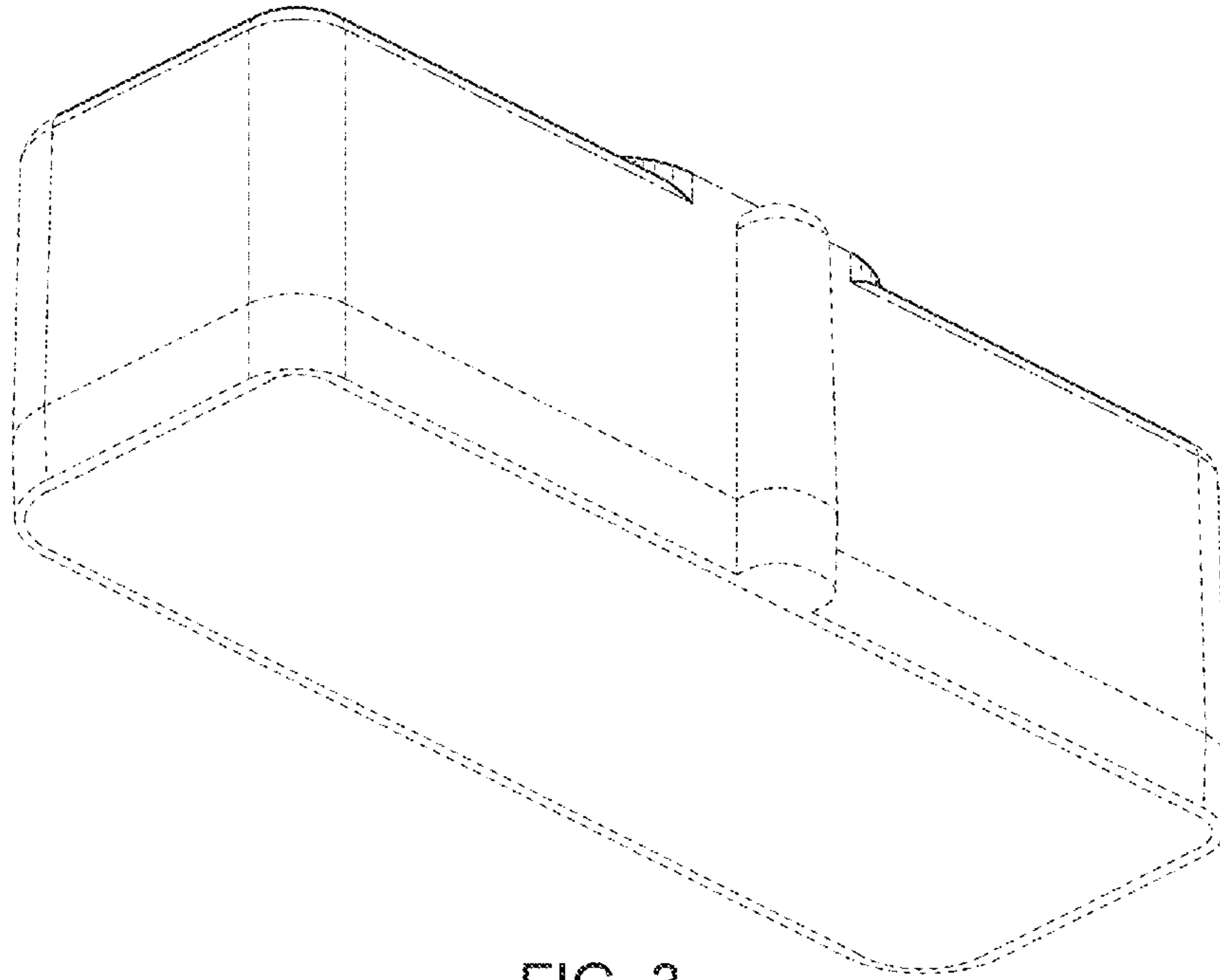


FIG. 3

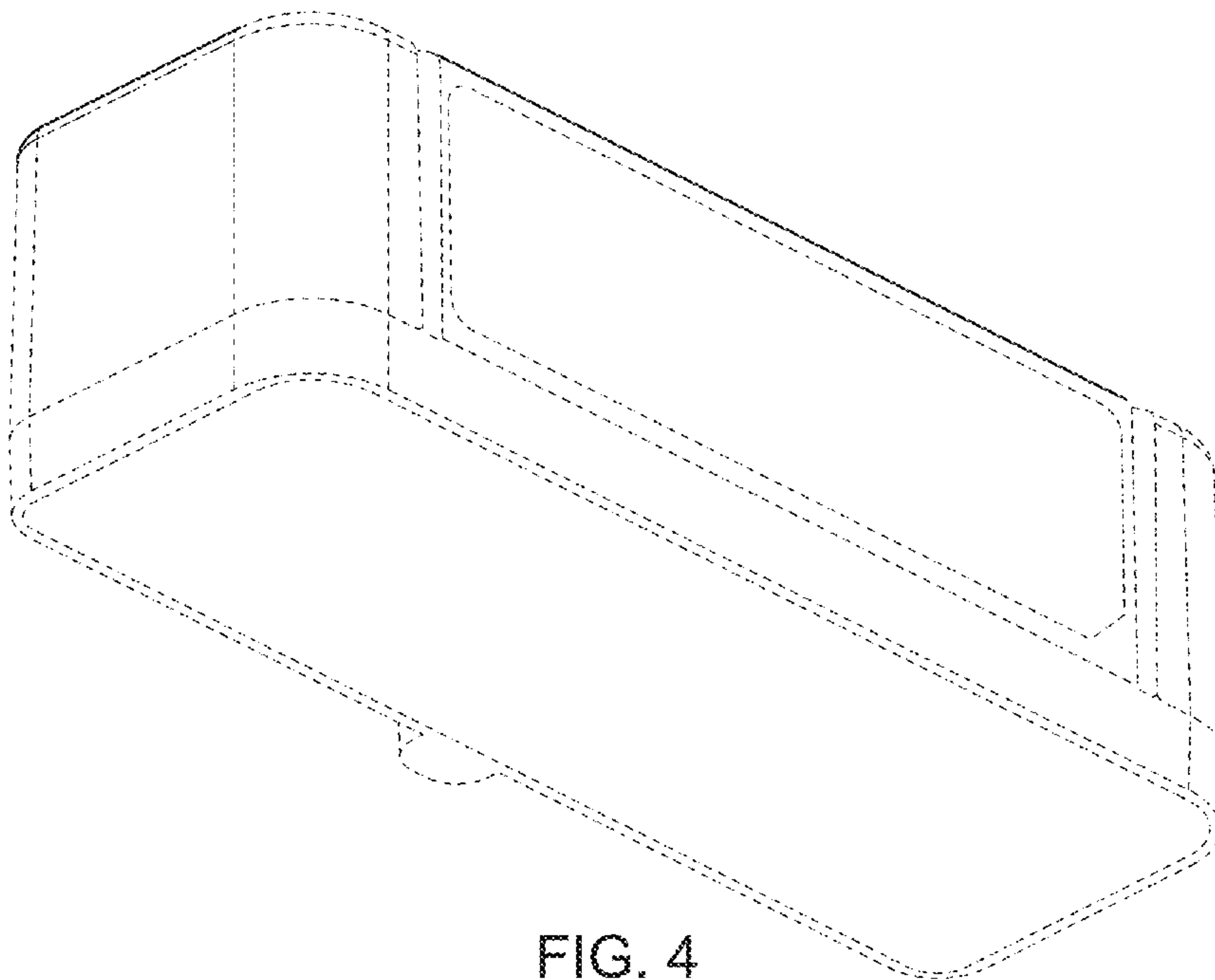


FIG. 4

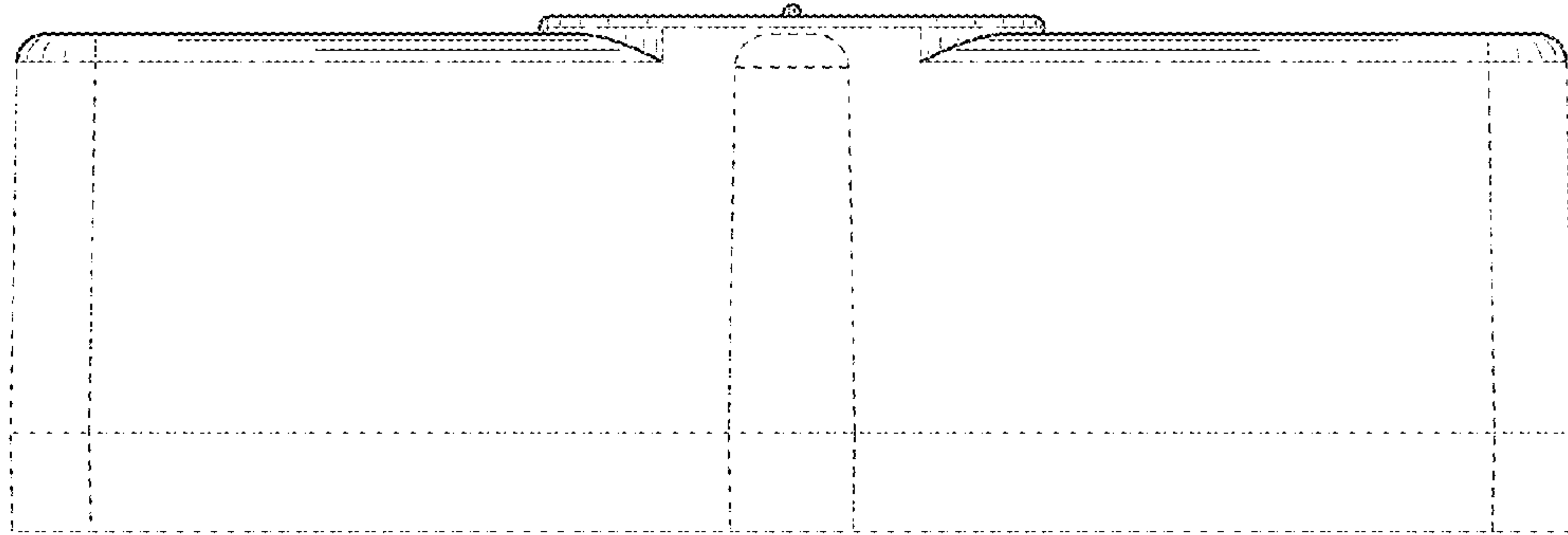


FIG. 5

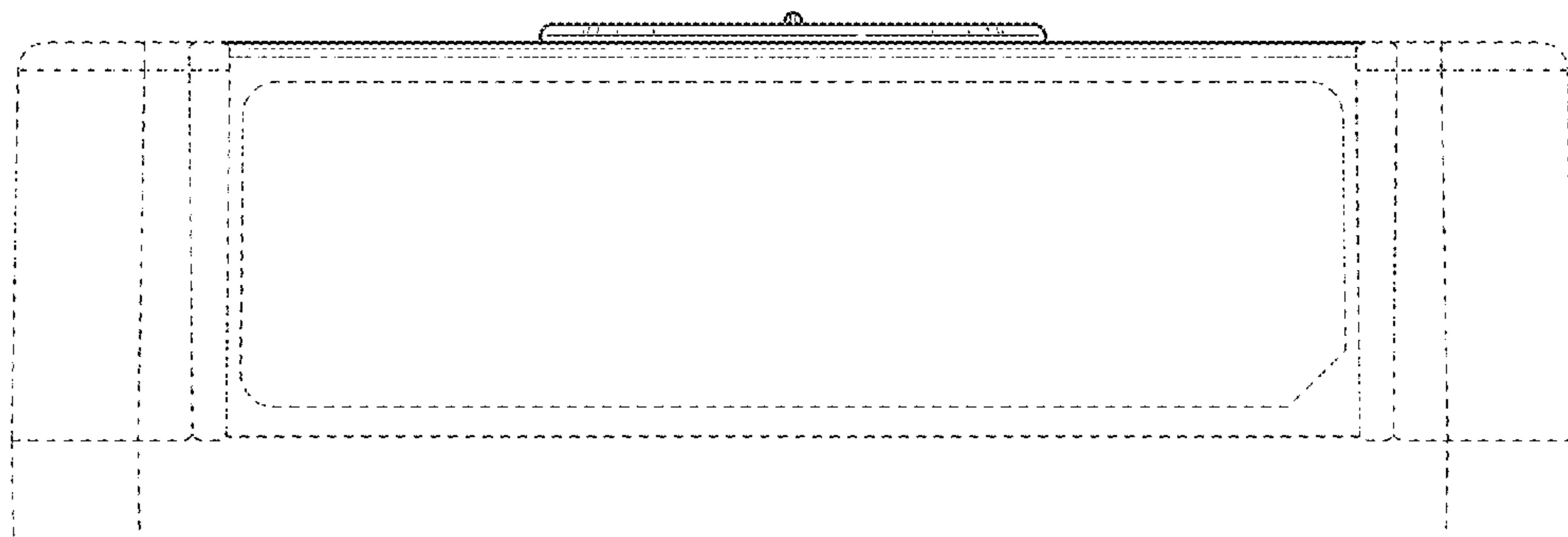


FIG. 6

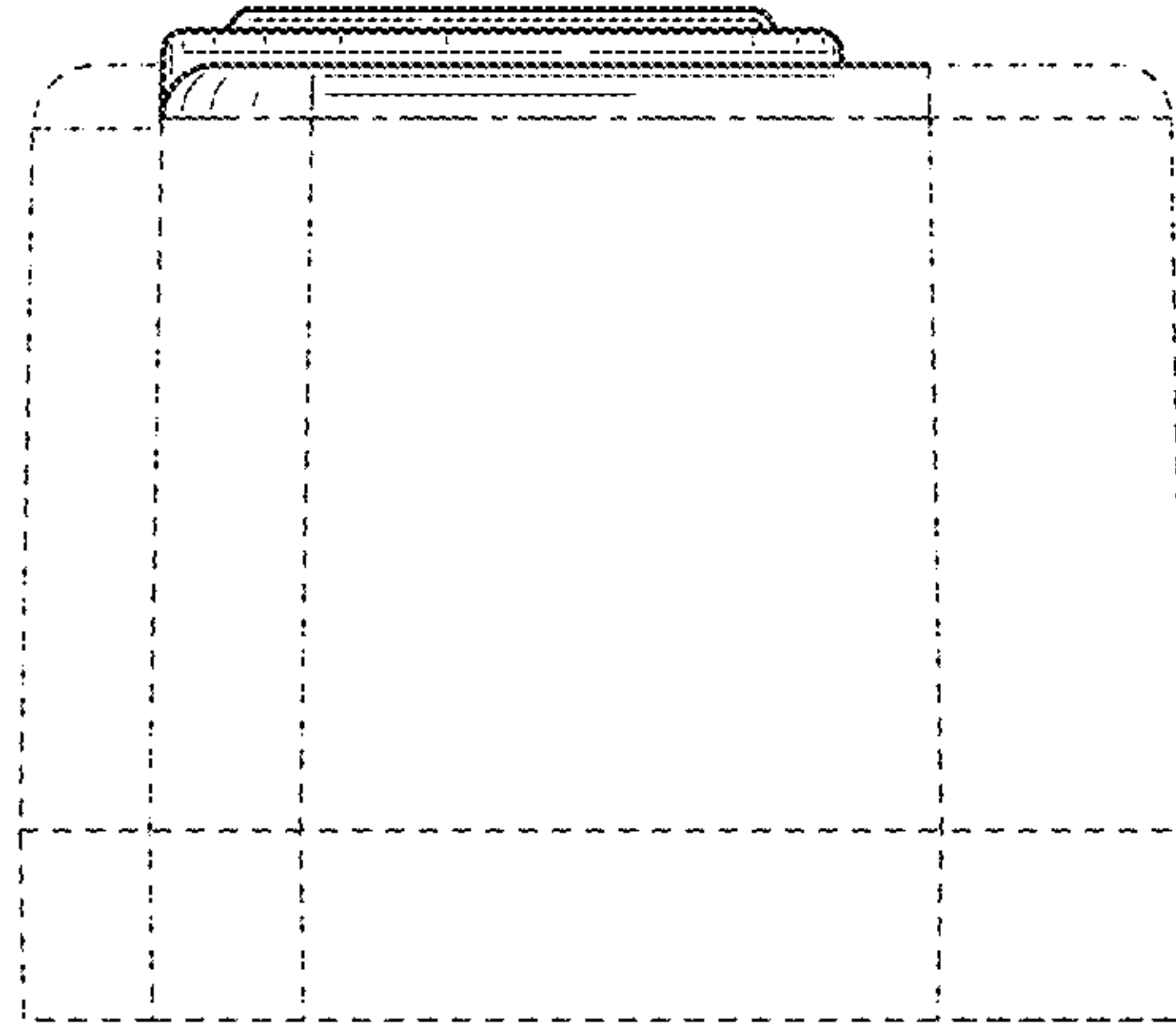


FIG. 7

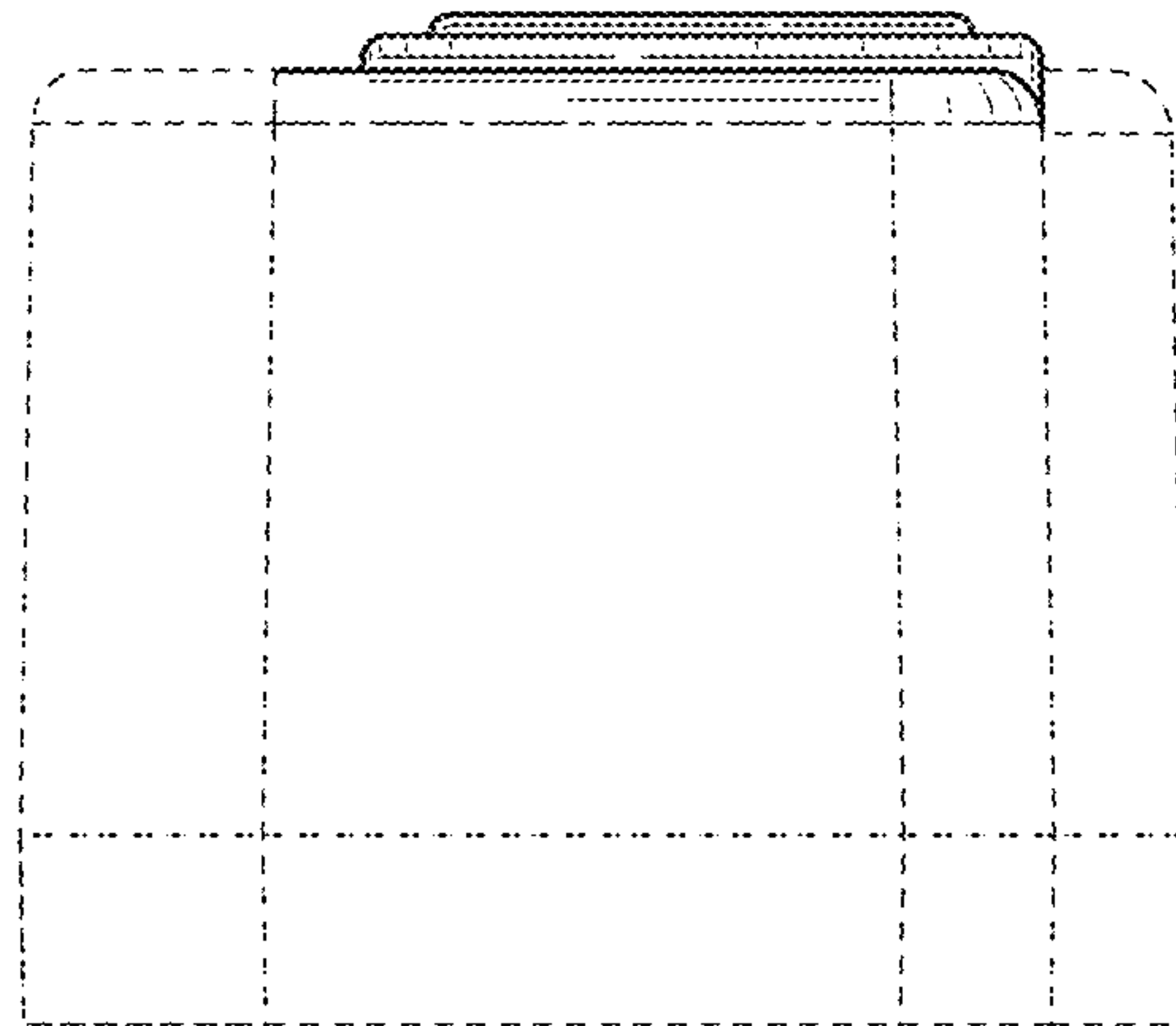


FIG. 8

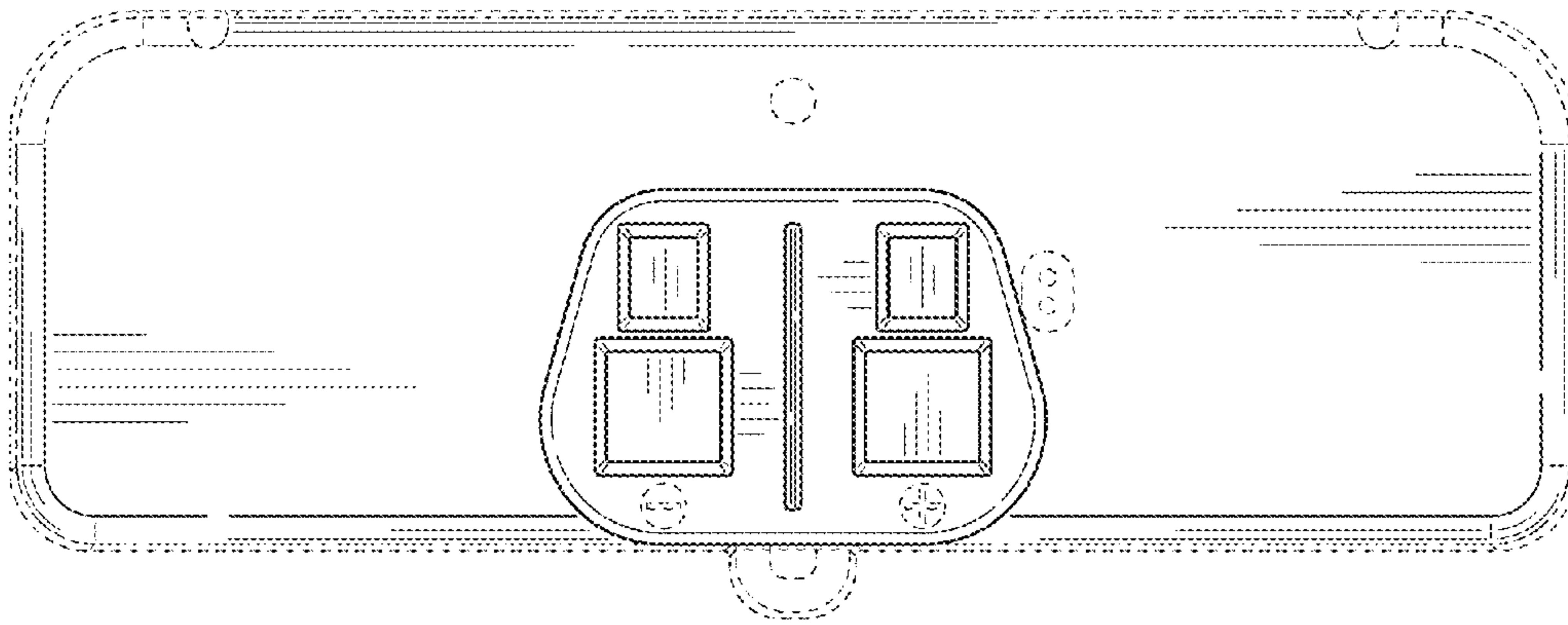


FIG. 9

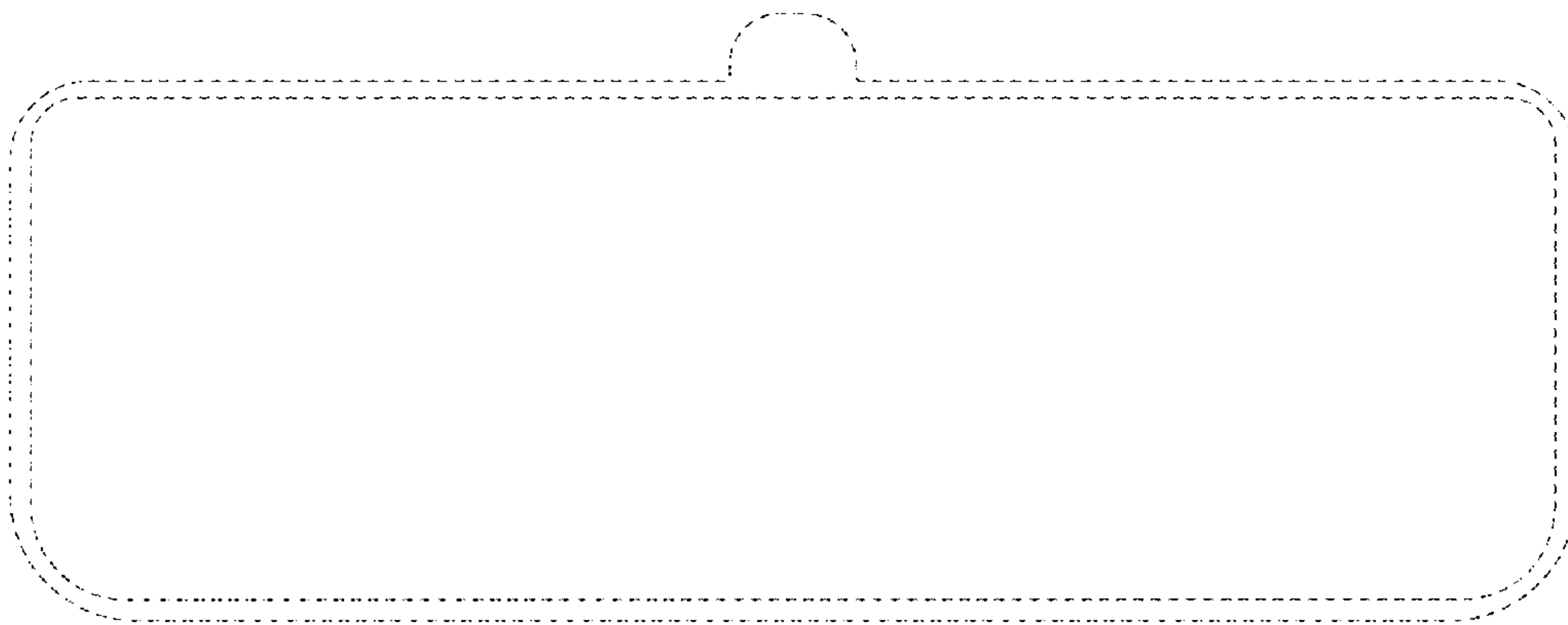


FIG. 10