



US00D759590S

(12) **United States Design Patent**  
**Wang**

(10) **Patent No.:** **US D759,590 S**  
(45) **Date of Patent:** **\*\* Jun. 21, 2016**

- (54) **BATTERY CASE**
- (71) Applicant: **Fang Wang**, Dongguan (CN)
- (72) Inventor: **Fang Wang**, Dongguan (CN)
- (\*\*) Term: **14 Years**
- (21) Appl. No.: **29/517,681**
- (22) Filed: **Feb. 16, 2015**
- (51) **LOC (10) Cl.** ..... **13-02**
- (52) **U.S. Cl.**  
USPC ..... **D13/119; D8/331**
- (58) **Field of Classification Search**  
USPC ..... 206/703, 470-471, 485.1; 429/96, 99,  
429/163, 176; D13/102-106, 110, 118,  
D13/184, 119; D8/331  
CPC ..... E05B 65/52; H01M 2/02; H01M 2/022;  
Y02E 60/12  
See application file for complete search history.

- D689,017 S \* 9/2013 Ambrose ..... D13/103
- D717,152 S \* 11/2014 Weinerman ..... D8/331
- D719,095 S \* 12/2014 Oota ..... D13/103
- D722,951 S \* 2/2015 Parsons ..... D13/103
- D743,773 S \* 11/2015 Shah ..... D8/331
- D750,953 S \* 3/2016 Jacobsen ..... D8/331
- D751,368 S \* 3/2016 Alley ..... D8/331
- 2008/0308568 A1 \* 12/2008 Grenier ..... A45C 13/1084  
220/810
- 2011/0011760 A1 \* 1/2011 Habersetzer ..... G06F 1/1628  
206/320
- 2012/0132657 A1 \* 5/2012 Seiders ..... B65D 81/3816  
220/592.2

\* cited by examiner

*Primary Examiner* — Rosemary K Tarcza  
*Assistant Examiner* — James Thorn, Sr.

(57) **CLAIM**  
The ornamental design for a battery case, as shown and described.

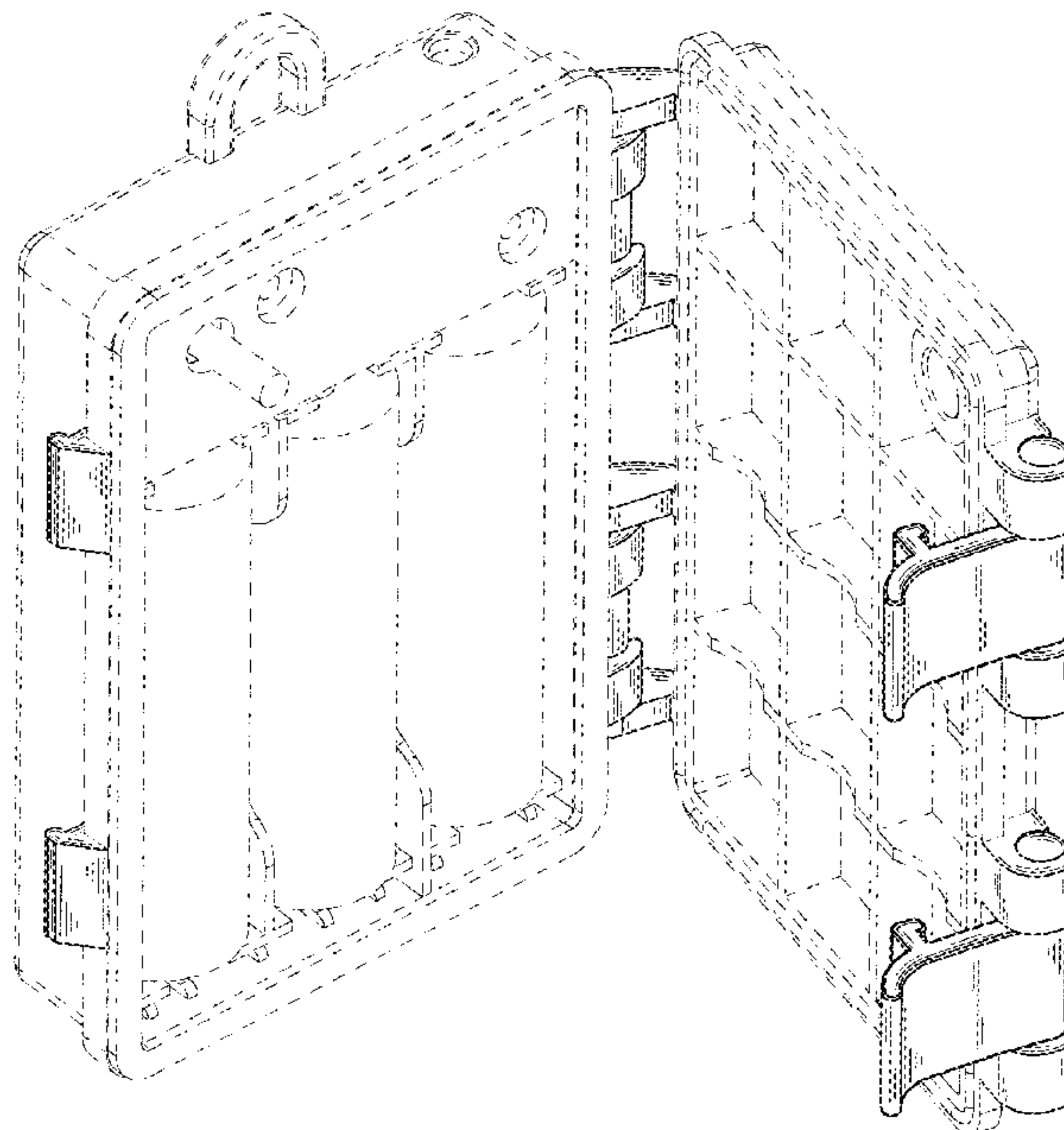
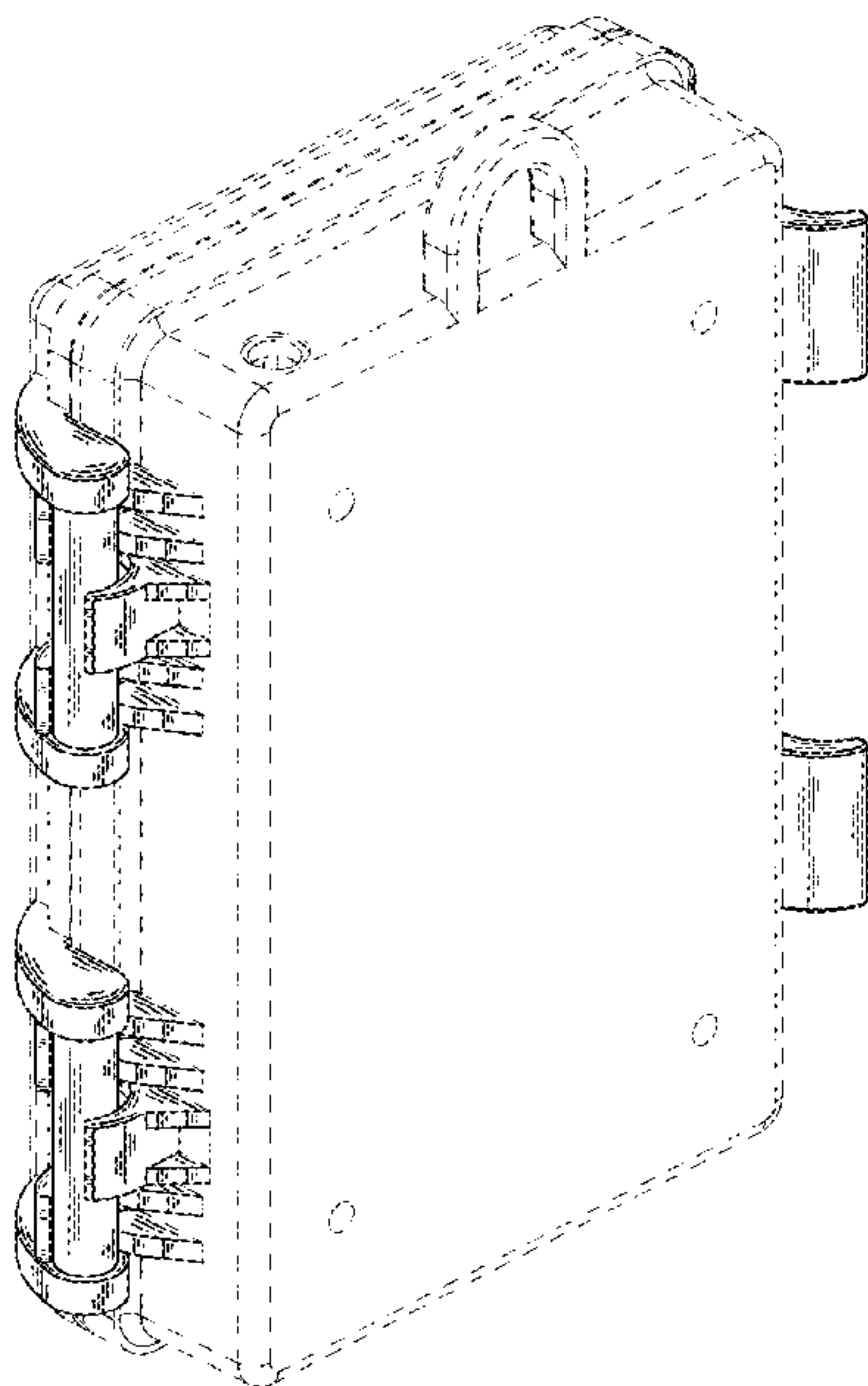
**DESCRIPTION**

FIG. 1 is a front elevational view of a battery case showing my new design;  
FIG. 2 is a top plan view thereof;  
FIG. 3 is a bottom plan view thereof;  
FIG. 4 is a first perspective view thereof;  
FIG. 5 is a second perspective view thereof;  
FIG. 6 is a third perspective view thereof;  
FIG. 7 is a fourth perspective view thereof, showing the battery case in an open position; and,  
FIG. 8 is a fifth perspective view thereof, showing the battery case in an open position.  
The broken lines are for illustrative purposes only and form no part of the claimed design.

**1 Claim, 8 Drawing Sheets**

(56) **References Cited**  
U.S. PATENT DOCUMENTS

- D468,688 S \* 1/2003 Helman ..... D13/119
- D495,994 S \* 9/2004 Arakelian ..... D13/103
- D516,505 S \* 3/2006 Niitsuma ..... D13/106
- D517,479 S \* 3/2006 Schemm ..... D13/103
- D517,987 S \* 3/2006 Castagnola ..... D13/103
- D517,988 S \* 3/2006 Ihde ..... D13/103
- D527,344 S \* 8/2006 Rajpara ..... D13/119
- D580,851 S \* 11/2008 Kumthampinij ..... D13/103
- D592,134 S \* 5/2009 Brockington ..... D13/119
- D631,835 S \* 2/2011 Neidhart ..... D13/103
- D654,016 S \* 2/2012 Neidhart ..... D13/103
- D656,092 S \* 3/2012 Nomi ..... D13/107
- D656,093 S \* 3/2012 Nomi ..... D13/107
- D680,062 S \* 4/2013 Lien ..... D13/103



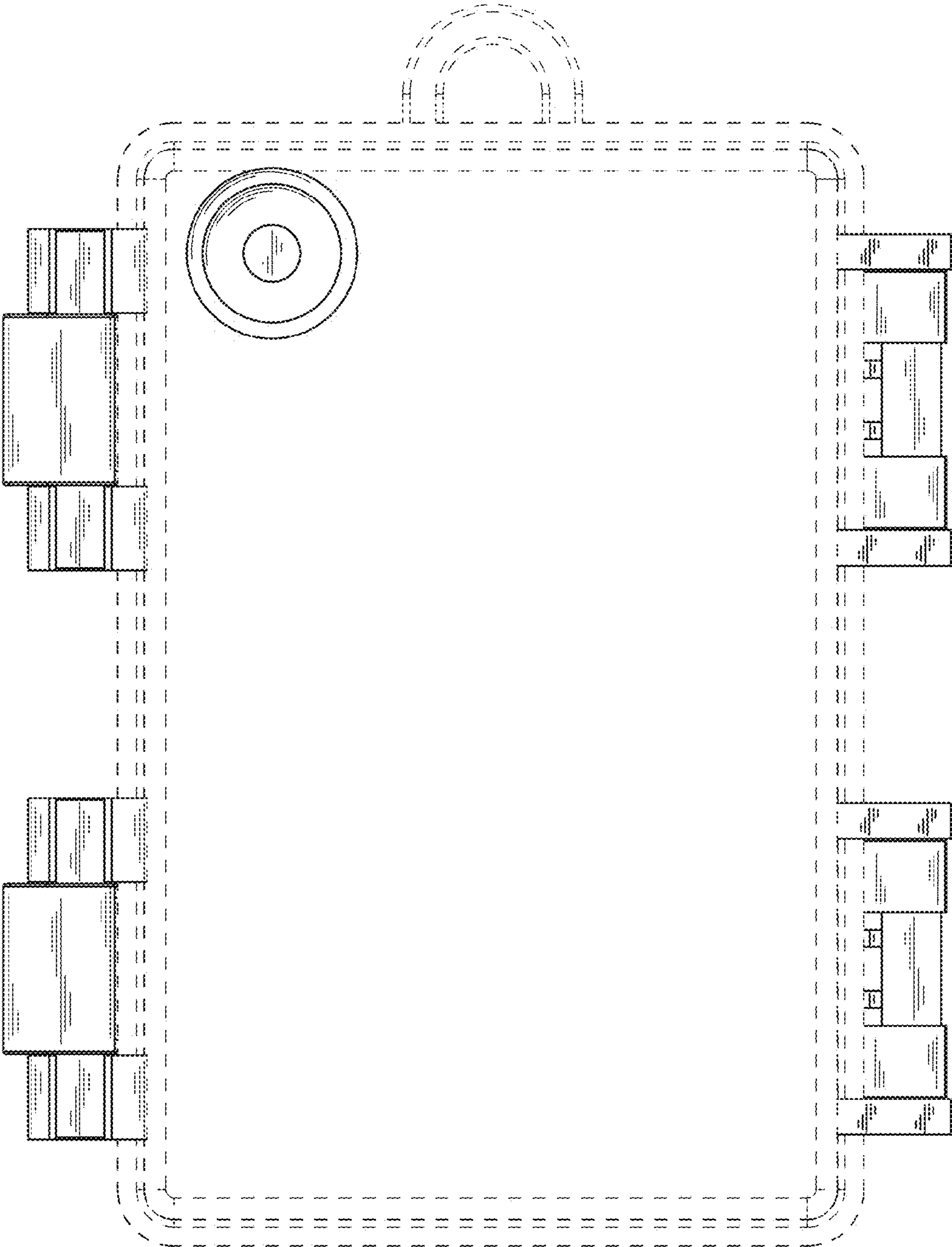


FIG. 1

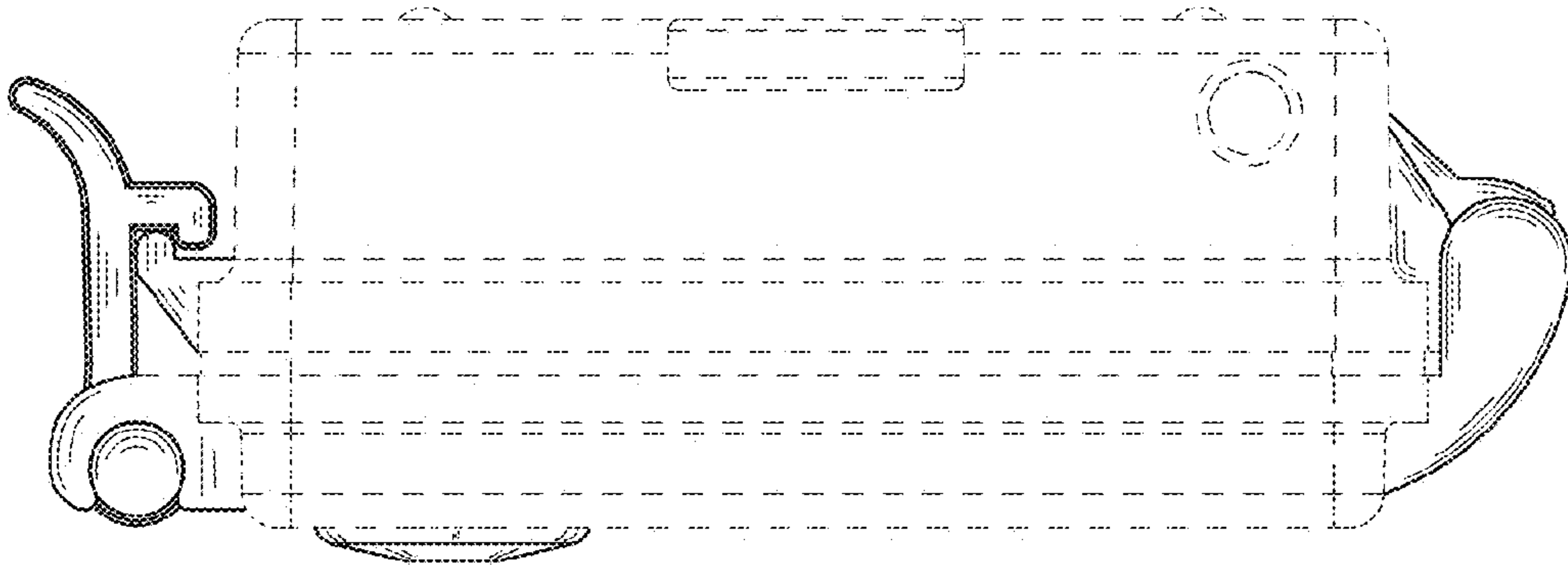


FIG. 2

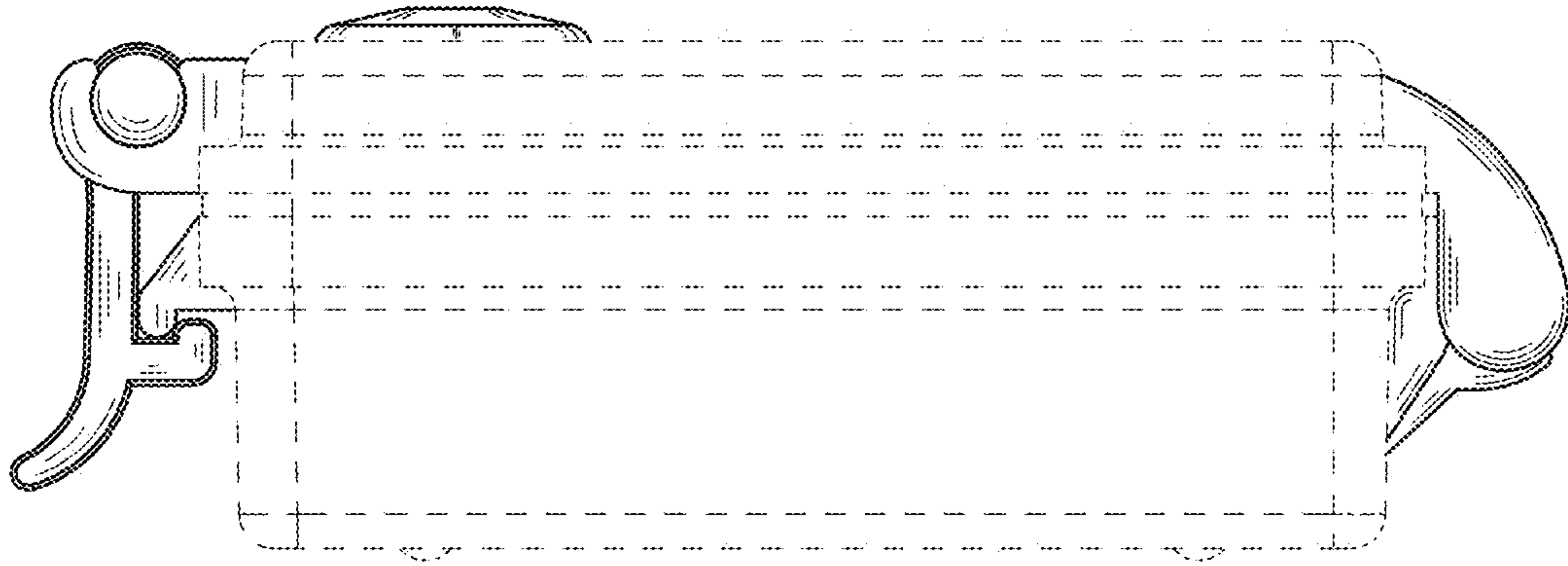


FIG. 3

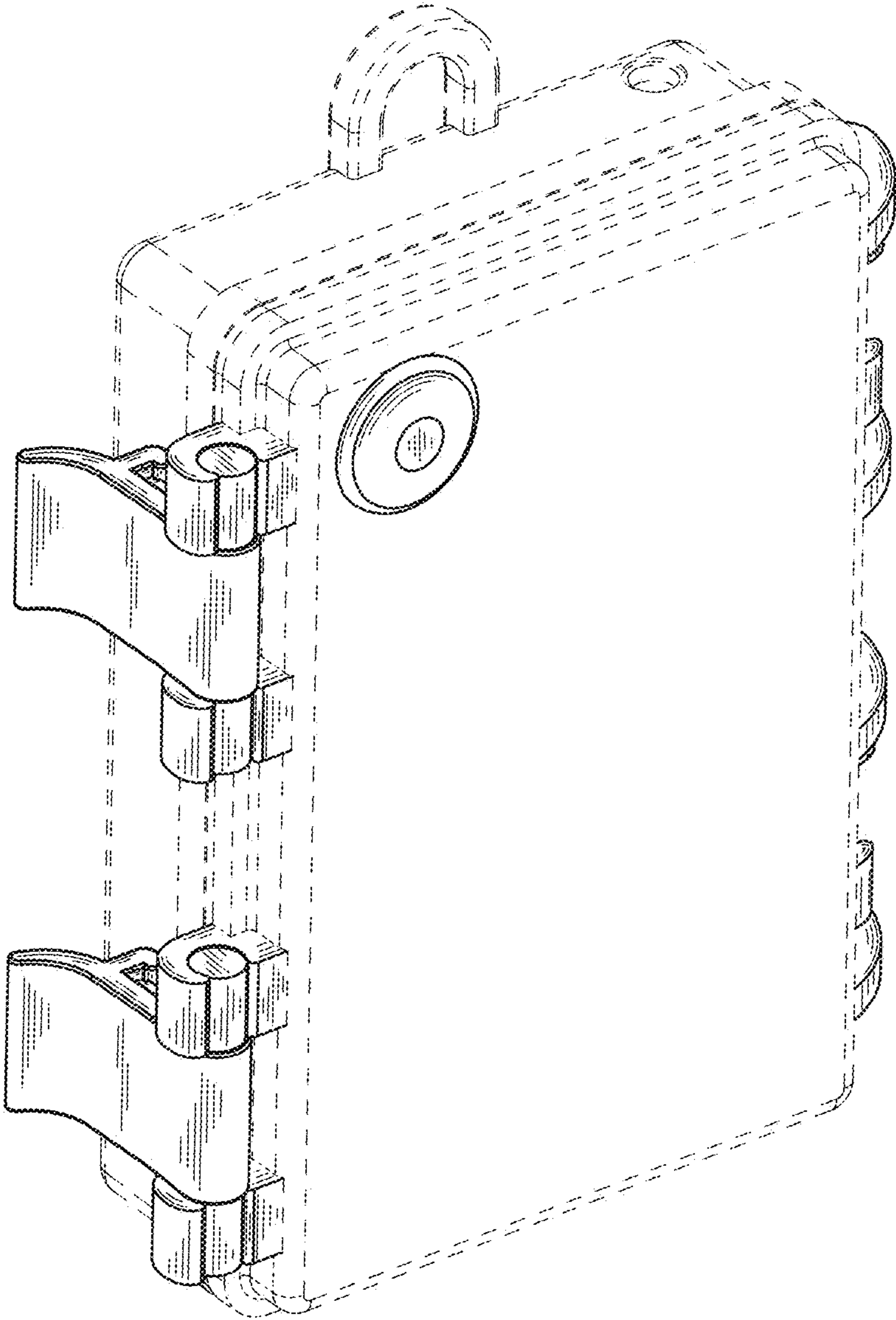


FIG. 4



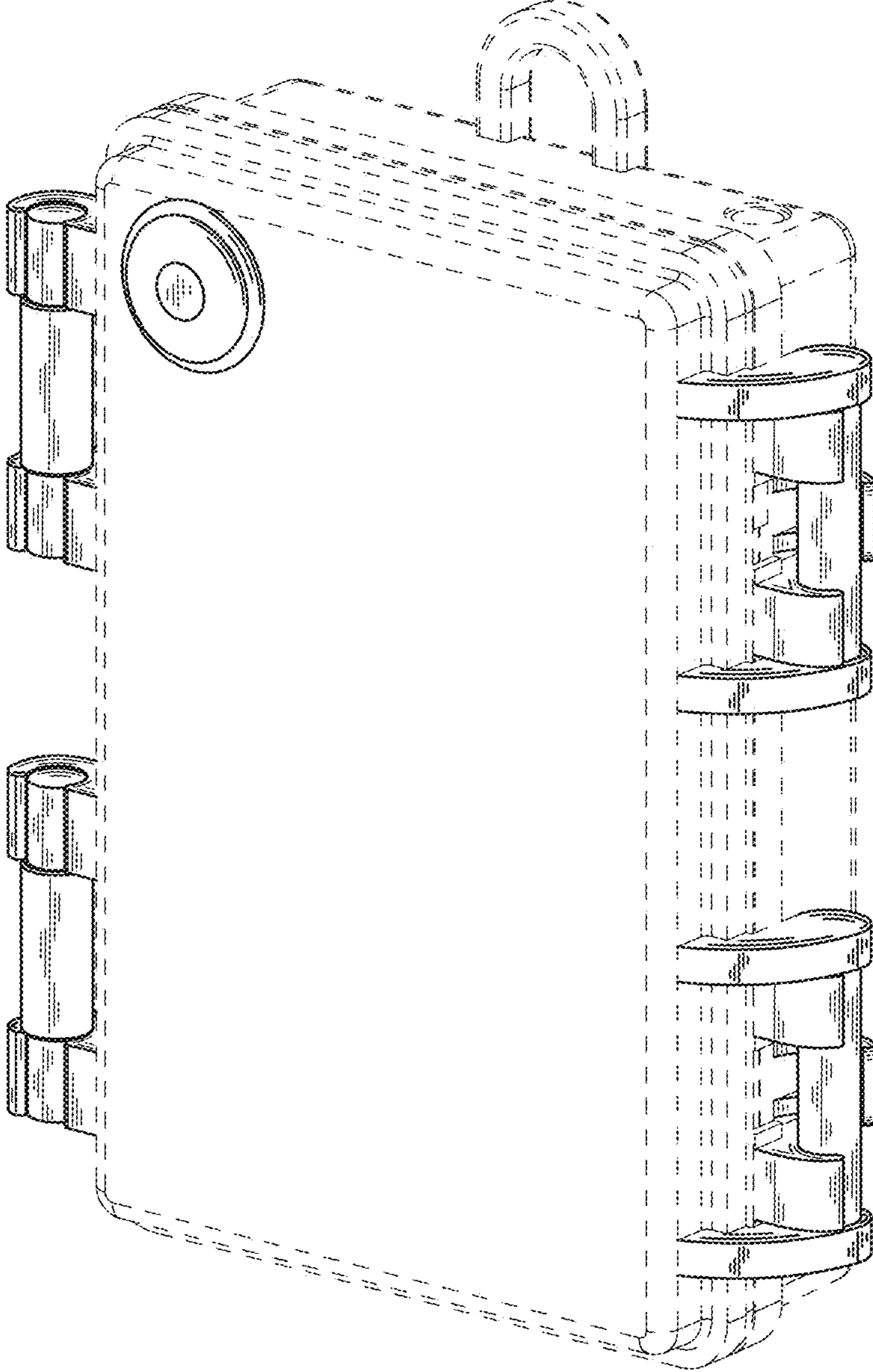


FIG. 5

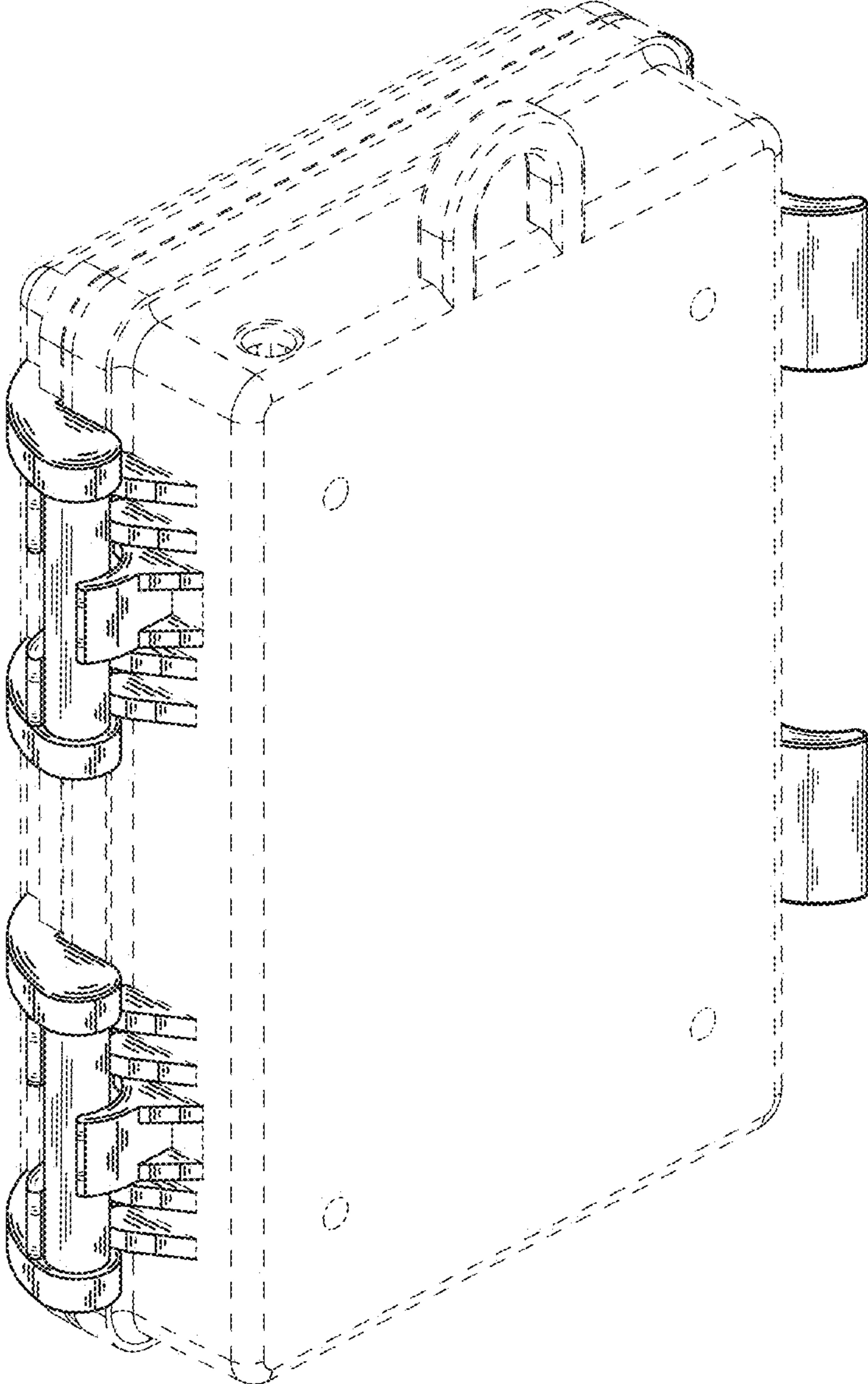


FIG. 6

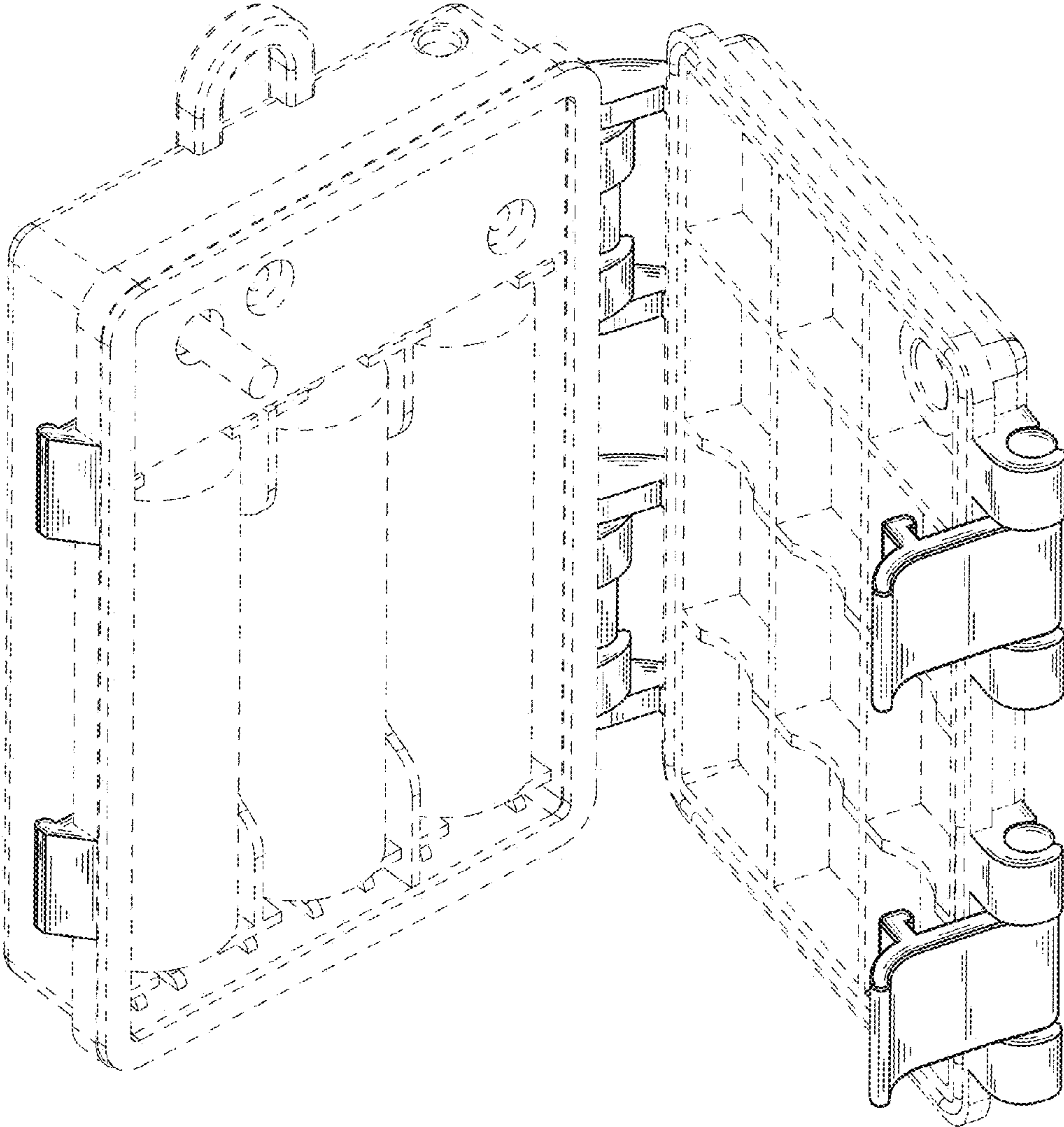


FIG. 7



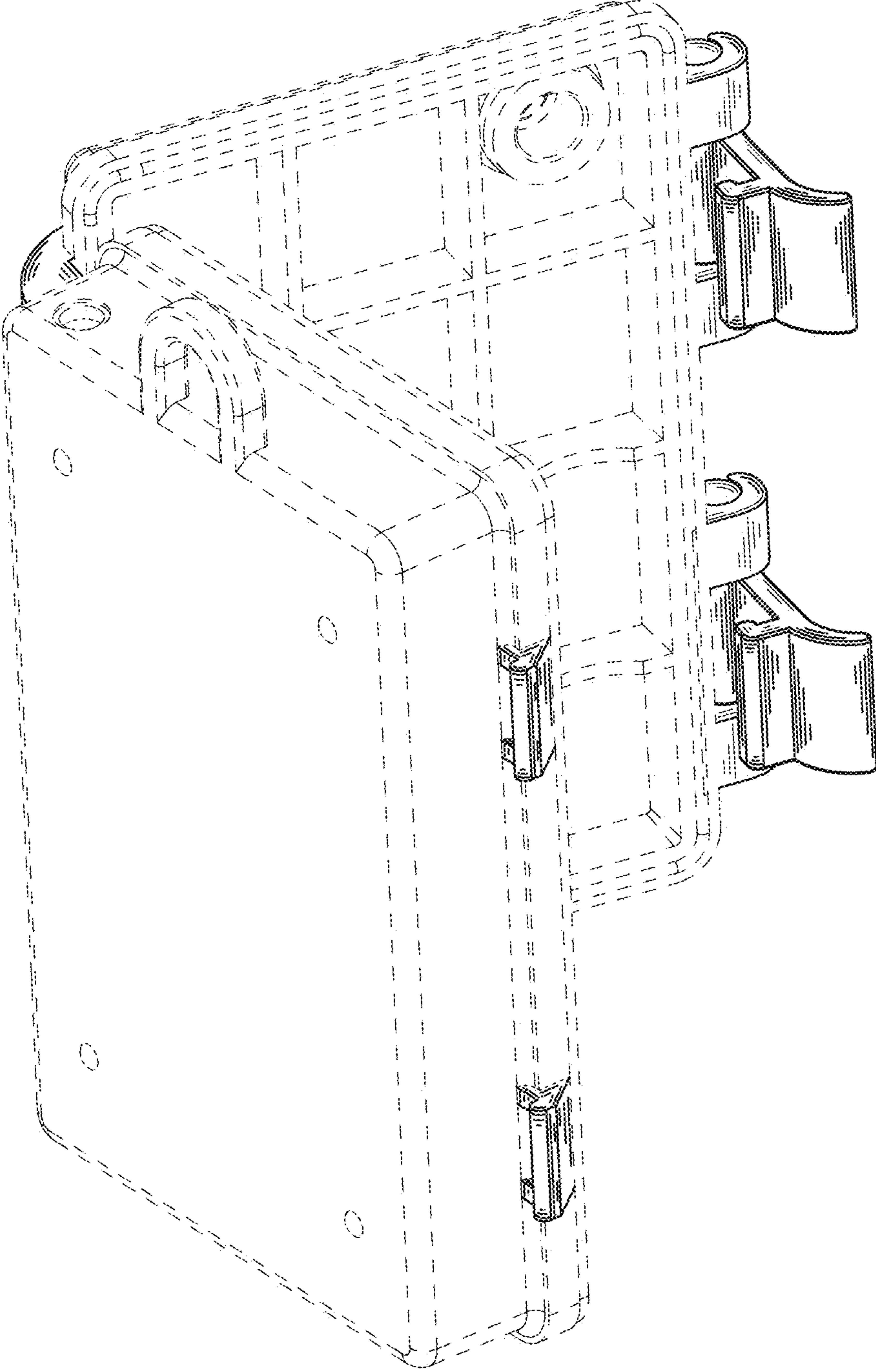


FIG. 8