



US00D759589S

(12) **United States Design Patent**
Shimura et al.

(10) **Patent No.:** **US D759,589 S**
(45) **Date of Patent:** **** Jun. 21, 2016**

(54) **POWER MODULE FOR POWER INVERTER**

(56) **References Cited**

(71) Applicant: **Hitachi Automotive Systems, Ltd.**,
Hitachinaka-shi, Ibaraki (JP)
(72) Inventors: **Takahiro Shimura**, Hitachinaka (JP);
Yusuke Takagi, Hitachinaka (JP); **Akira**
Matsushita, Hitachinaka (JP); **Yosei**
Hara, Hitachinaka (JP)
(73) Assignee: **Hitachi Automotive Systems, Ltd.**,
Hitachinaka-shi (JP)

U.S. PATENT DOCUMENTS

D365,081 S * 12/1995 Rodriguez D13/110
D466,076 S * 11/2002 Nagashima D13/110
D598,846 S * 8/2009 Satoh D13/110
D651,565 S * 1/2012 Yura D13/110
8,659,130 B2 * 2/2014 Takagi H01L 23/3675
257/675
2008/0251909 A1 * 10/2008 Tokuyama H01L 23/473
257/706

* cited by examiner

(**) Term: **14 Years**

Primary Examiner — Derrick Holland

(21) Appl. No.: **29/520,813**

(74) *Attorney, Agent, or Firm* — Crowell & Moring LLP

(22) Filed: **Mar. 18, 2015**

(57) **CLAIM**

We claim the ornamental design for a power module for power inverter, as shown.

(51) **LOC (10) Cl.** **13-02**

(52) **U.S. Cl.**
USPC **D13/110**

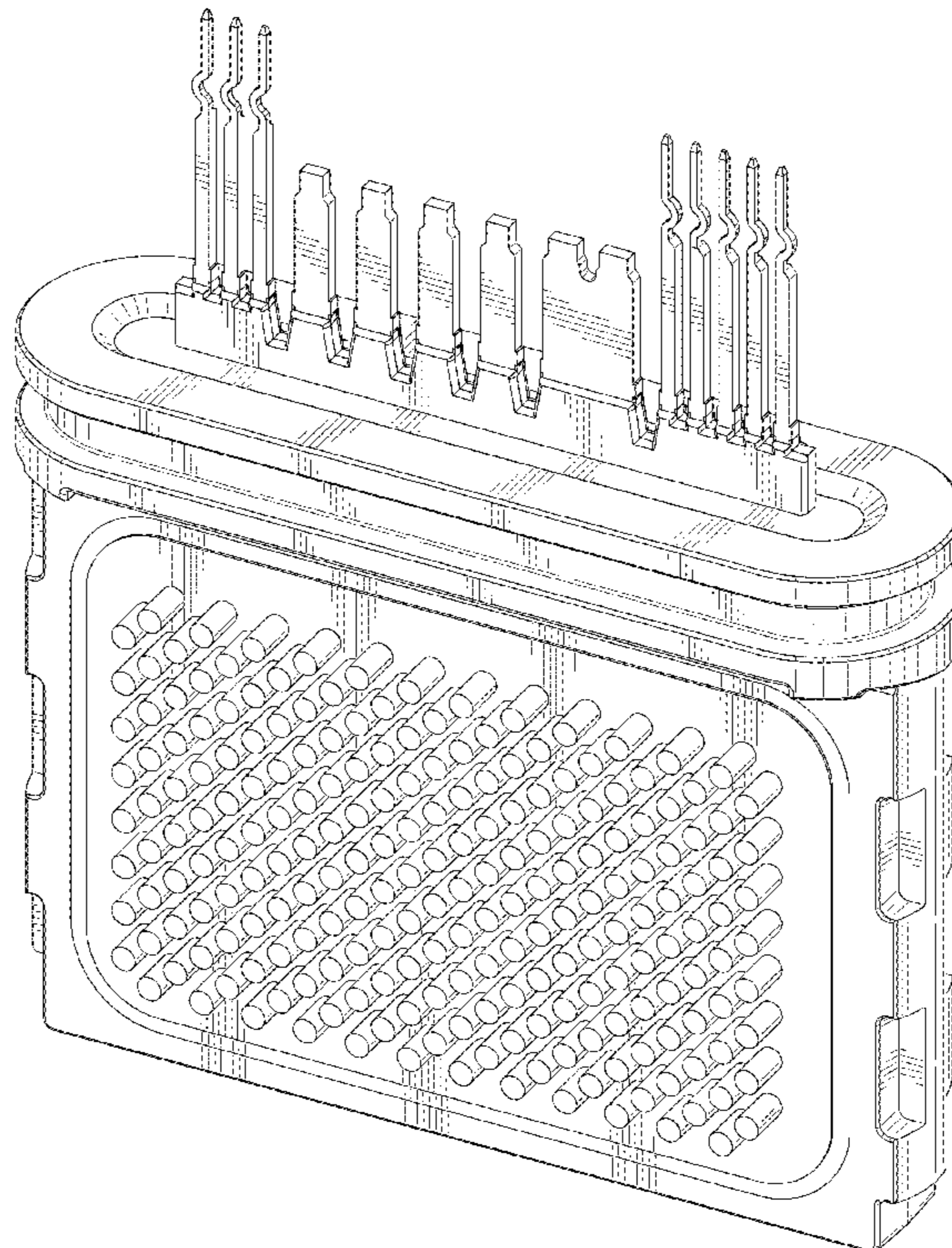
DESCRIPTION

(58) **Field of Classification Search**
USPC D13/110, 101, 118, 121, 125, 162, 182,
D13/199; 307/89, 91, 150; 361/679, 707,
361/717, 718, 719, 720, 736, 752, 775, 777,
361/815; 363/36, 37, 55, 56.01, 131, 141,
363/142, 144; 368/76
CPC . H01L 23/62; H01L 23/3675; H01L 23/3677;
H01L 23/473; H01L 23/4334; H01L 24/34;
H01L 25/18; H01L 2924/00; H01L 2924/181;
H01L 2924/13091; H01L 2924/13055

FIG. 1 is a front, top and left side perspective view of a power module for power inverter showing our/my new design;
FIG. 2 is a front elevational view thereof;
FIG. 3 is a rear elevational view thereof;
FIG. 4 is a left side elevational view thereof;
FIG. 5 is a right side elevational view thereof;
FIG. 6 is a top plan view thereof; and,
FIG. 7 is a bottom plan view thereof.

See application file for complete search history.

1 Claim, 5 Drawing Sheets



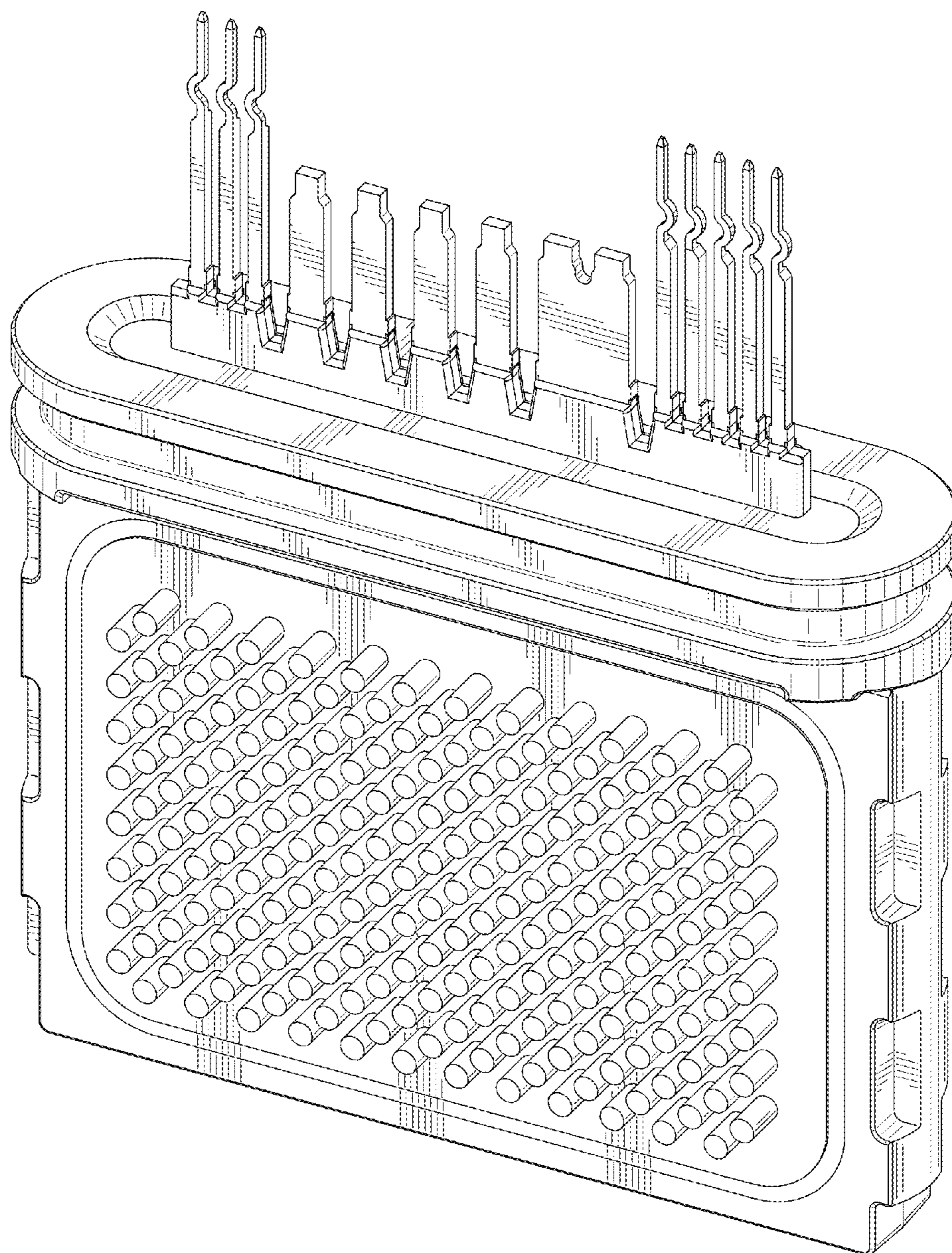


FIG. 1

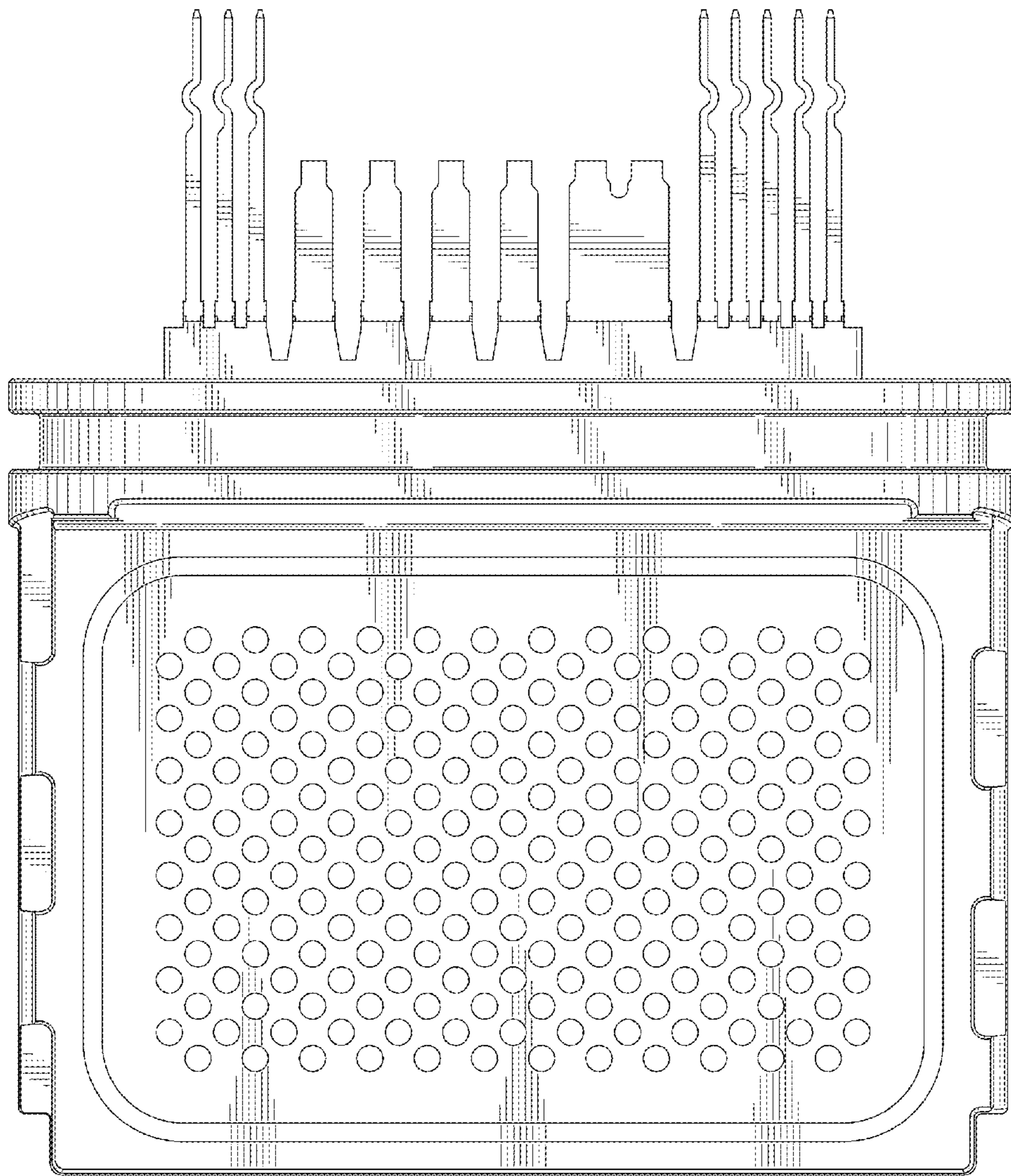


FIG. 2

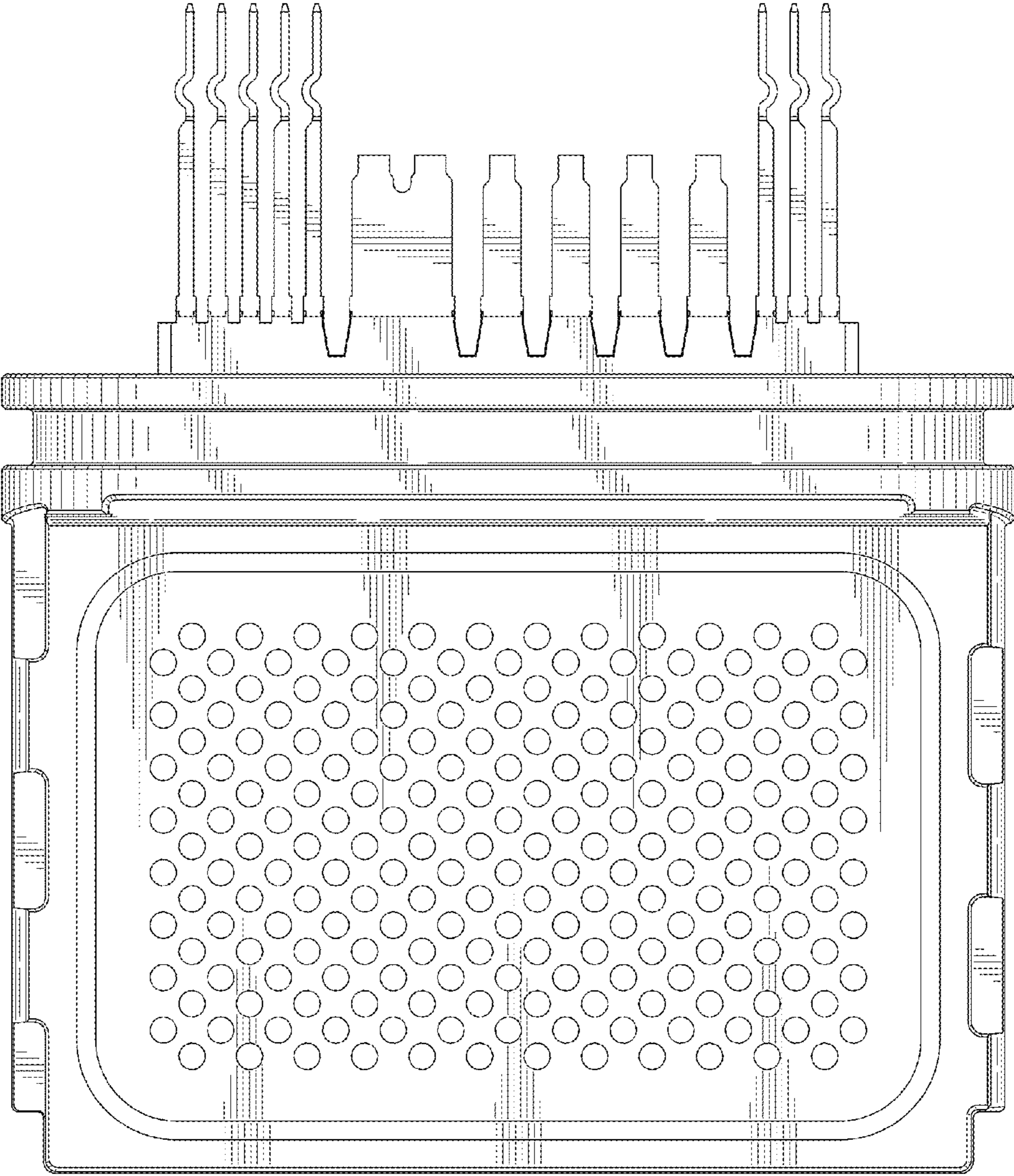


FIG. 3

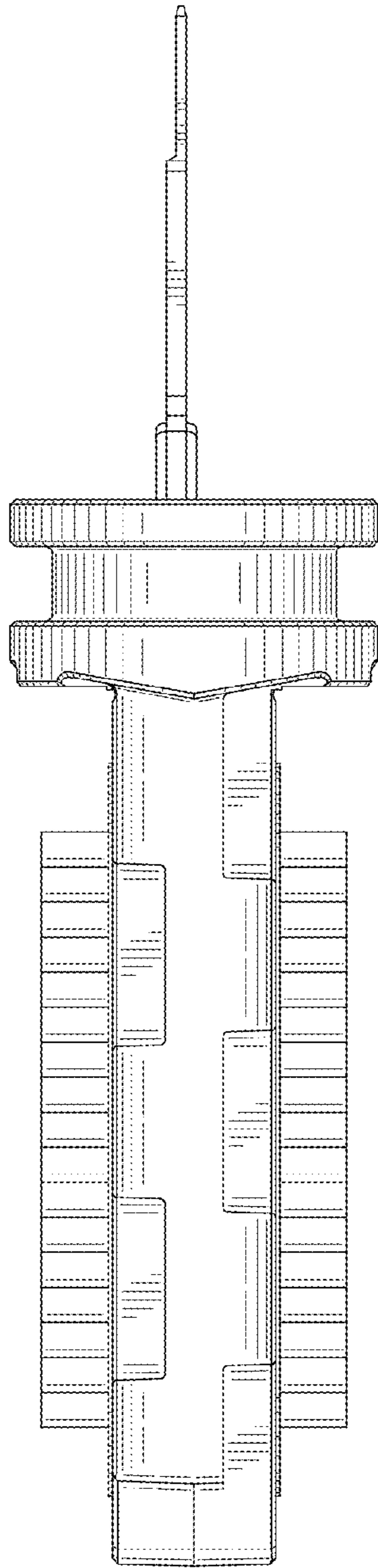


FIG. 4

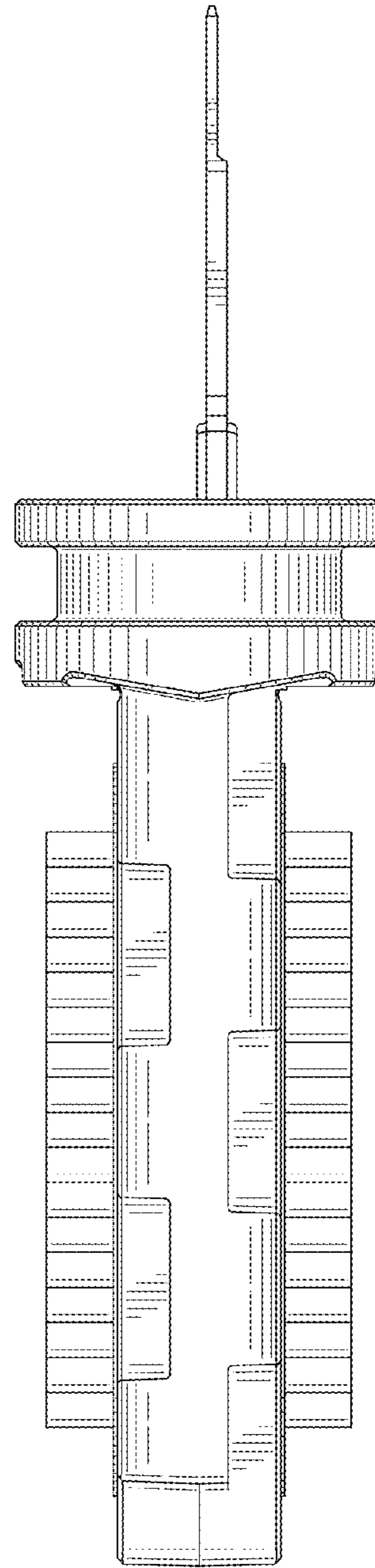


FIG. 5

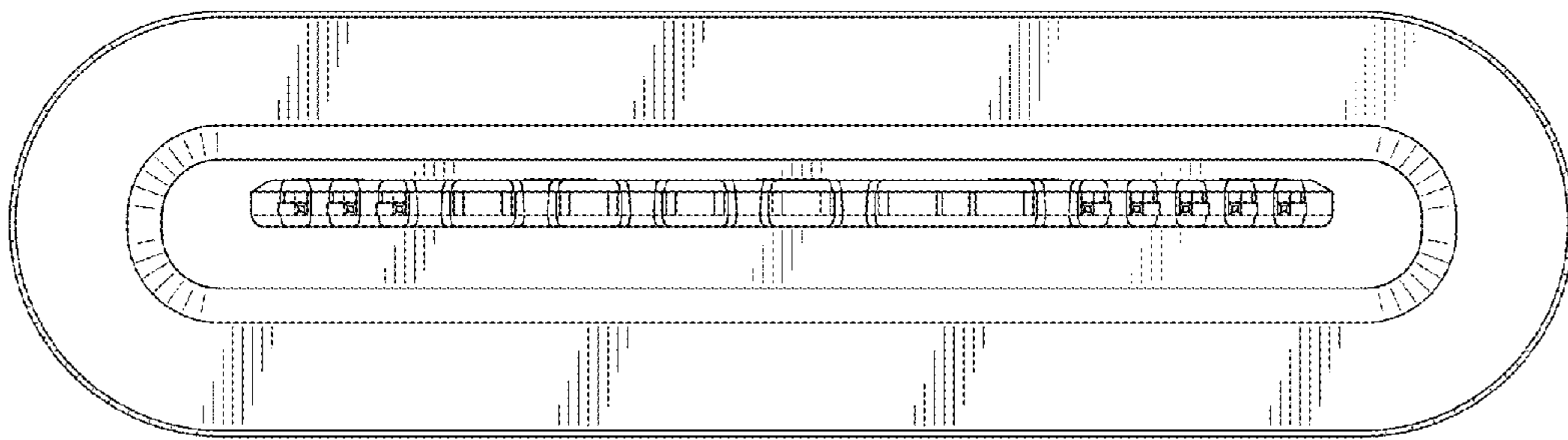


FIG. 6

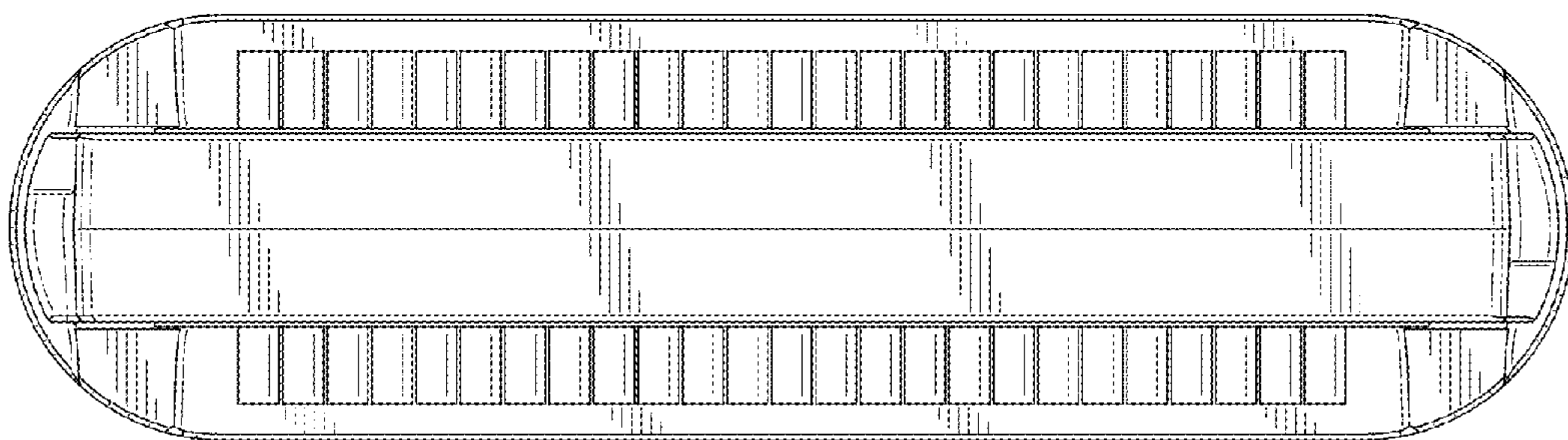


FIG. 7