



US00D759588S

(12) **United States Design Patent**
De Klein

(10) **Patent No.:** **US D759,588 S**
(45) **Date of Patent:** **** Jun. 21, 2016**

(54) **CHARGING STAND FOR GROOMING APPARATUS**

(71) Applicant: **KONINKLIJKE PHILIPS N.V.**,
Eindhoven (NL)
(72) Inventor: **Nicole Louisa De Klein**, Amsterdam
(NL)
(73) Assignee: **KONINKLIJKE PHILIPS N.V.**,
Eindhoven (NL)
(**) Term: **14 Years**
(21) Appl. No.: **29/513,580**
(22) Filed: **Jan. 2, 2015**

(30) **Foreign Application Priority Data**

Jul. 4, 2014 (EM) 002496497-0007

(51) **LOC (10) Cl.** **13-02**
(52) **U.S. Cl.**
USPC **D13/108**

(58) **Field of Classification Search**
USPC D13/102–105, 107–110, 118, 119, 133,
D13/144, 184, 199; D14/251, 253, 356,
D14/432, 434; 320/197–115, 135, 138, 140;
D28/44, 49, 52, 53
CPC Y02E 60/12; Y02T 90/14; Y02T 90/122;
Y02T 90/128; Y02T 90/163; H02J 7/025;
H02J 7/042; H02J 7/044; H02J 7/0027;
H02J 7/0013; H02J 7/0054; H02J 2001/08;
H02J 3/32; H02J 3/008; B60R 16/03; B60L
11/1809; B60L 11/1825; H01M 2/02; H01M
2/022; H01M 2/0202; H01M 2/0207; H01M
2/0212; H01M 2/1061; H01M 2/1022; H01M
2/1055; H01M 2/1066; H01M 2/105; H01M
2/20; H01M 2/202; H01M 2/204; H01M
2/206

See application file for complete search history.

(56) **References Cited**

U.S. PATENT DOCUMENTS

| | | | |
|-------------------|---------|------------------|-----------------------|
| D289,996 S * | 5/1987 | Oord | D13/108 |
| D319,896 S * | 9/1991 | Ullmann | D28/49 |
| D434,377 S * | 11/2000 | Bussett | D13/133 |
| D455,397 S * | 4/2002 | Weiner | D13/108 |
| D485,234 S * | 1/2004 | Katayama | D13/108 |
| D508,019 S * | 8/2005 | Lamason | D13/108 |
| D524,730 S * | 7/2006 | Vu | D13/108 |
| D532,746 S * | 11/2006 | Meyers | D13/108 |
| D543,315 S * | 5/2007 | Hansen | D28/44 |
| D578,061 S * | 10/2008 | Kristensen | D13/110 |
| D588,985 S * | 3/2009 | O'Hern | D13/107 |
| D615,491 S * | 5/2010 | Emminger | D13/108 |
| D621,347 S * | 8/2010 | Aulwes | D13/108 |
| D637,155 S * | 5/2011 | Jeon | D13/108 |
| D640,194 S * | 6/2011 | Kim | D13/108 |
| D669,028 S * | 10/2012 | Ino | D13/108 |
| D677,622 S * | 3/2013 | Cole | D13/108 |
| D697,476 S * | 1/2014 | Jeong | D13/108 |
| D707,624 S * | 6/2014 | Morrison | D13/108 |
| D736,210 S * | 8/2015 | Paradise | D14/434 |
| 2002/0117996 A1 * | 8/2002 | Cheng | H02G 11/02 320/114 |

* cited by examiner

Primary Examiner — Rosemary K Tarcza
Assistant Examiner — Christy Nemeth

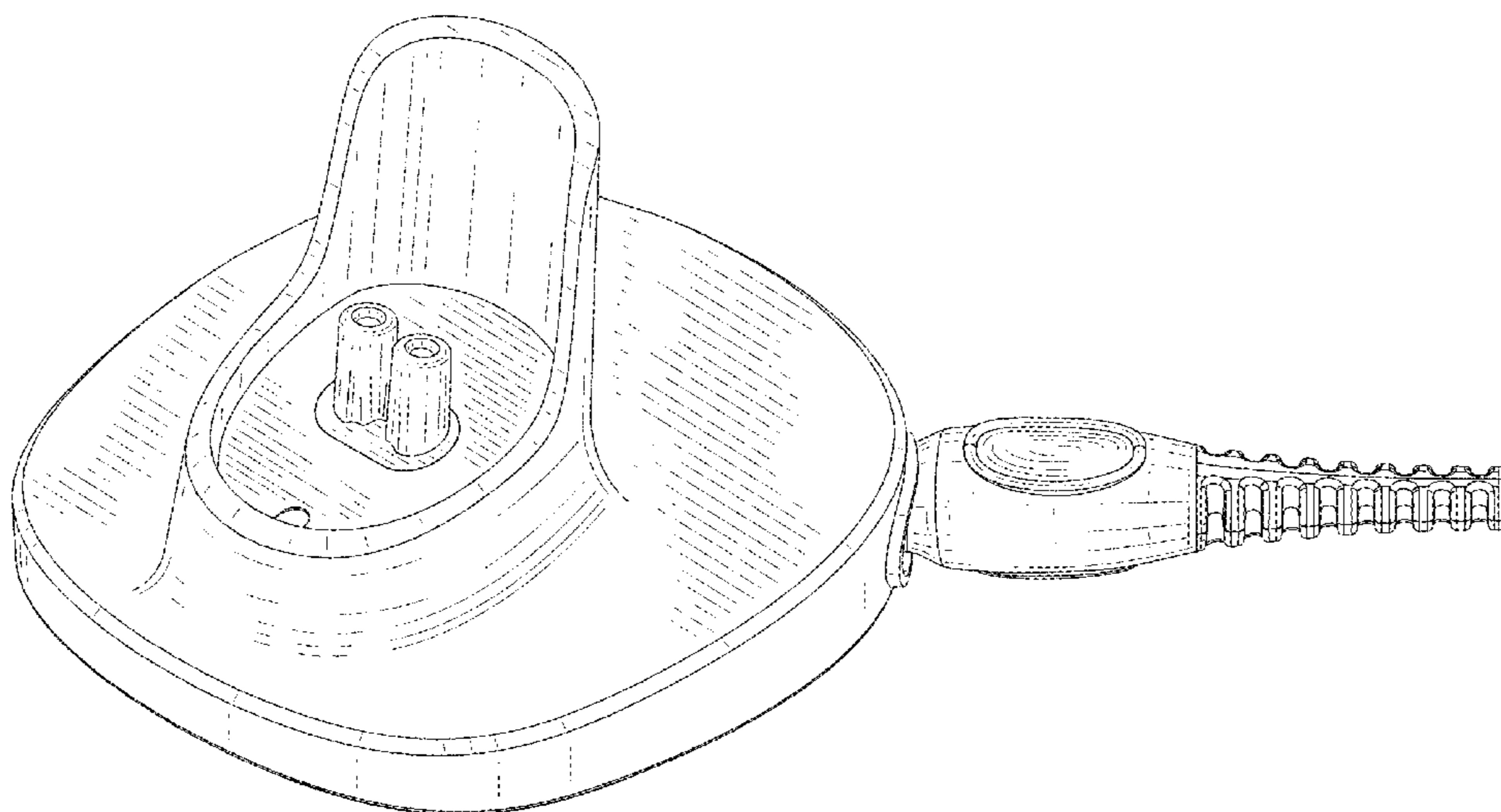
(57) **CLAIM**

The ornamental design for a charging stand for grooming apparatus, as shown.

DESCRIPTION

FIG. 1 is a perspective view showing my design;
FIG. 2 is a front elevational view thereof;
FIG. 3 is a rear elevational view thereof;
FIG. 4 is a right side elevational view thereof;
FIG. 5 is a left side elevational view thereof;
FIG. 6 is a top plan view thereof; and,
FIG. 7 is a bottom plan view thereof.

1 Claim, 5 Drawing Sheets



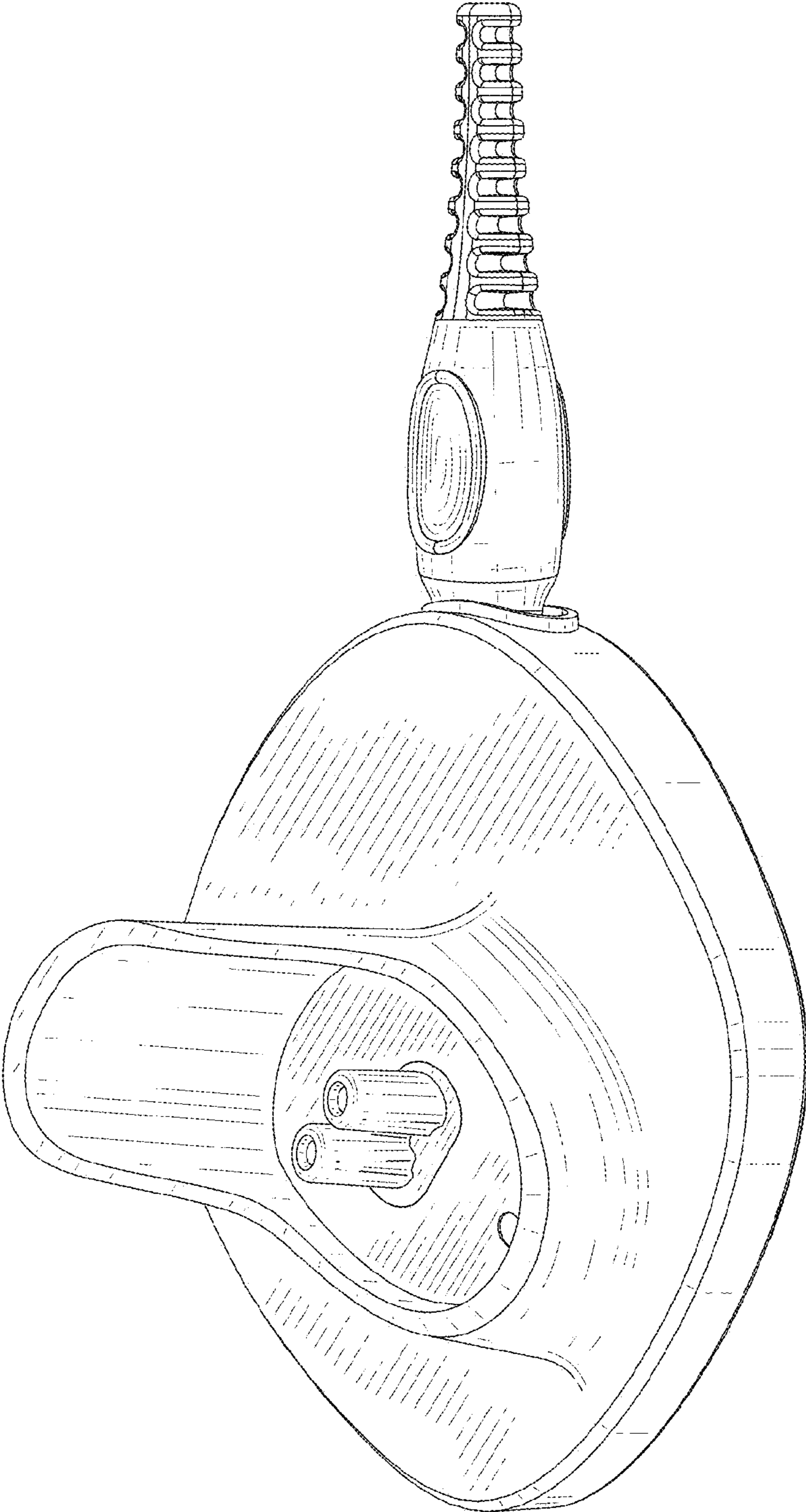


FIG. 1

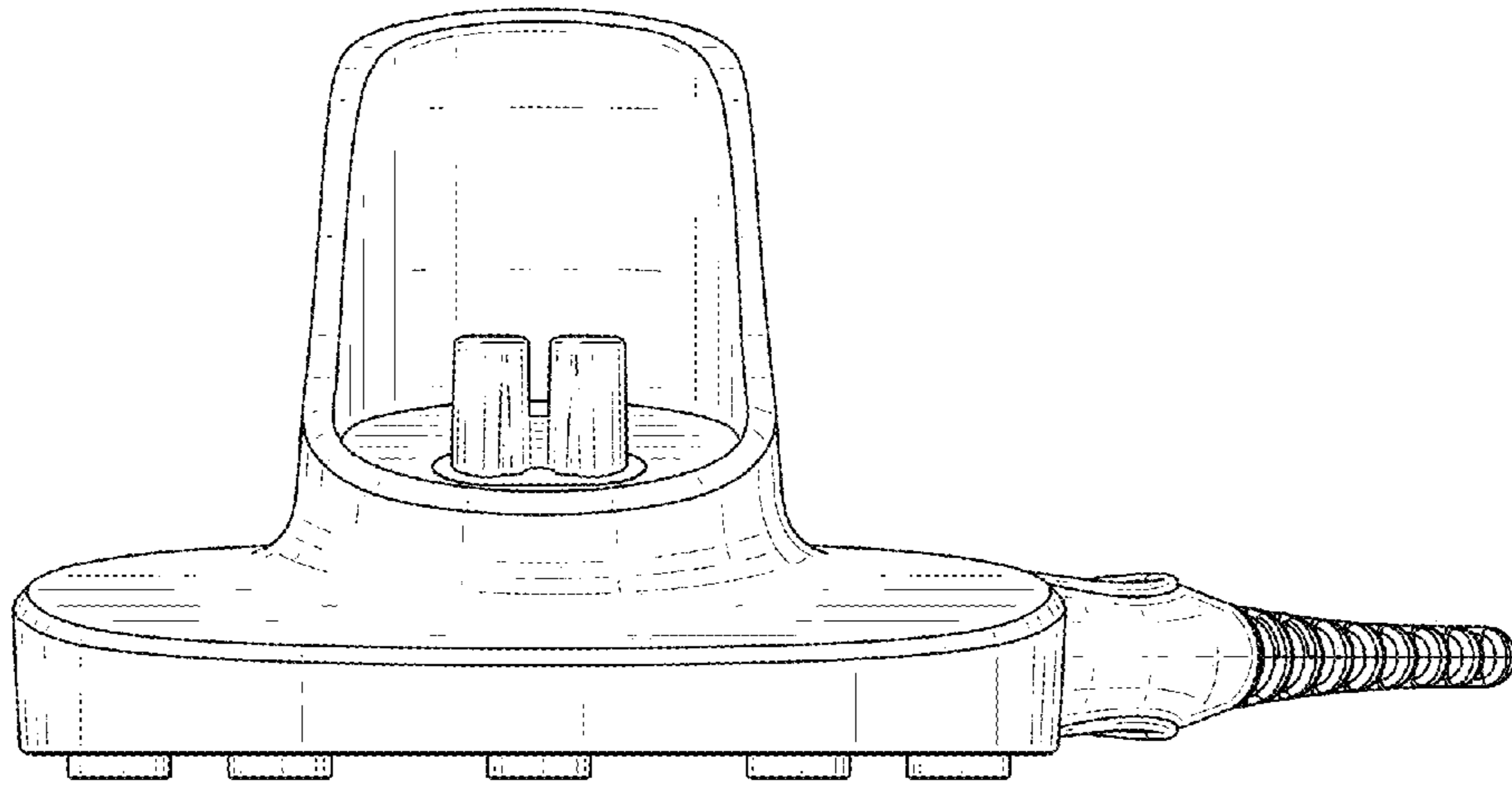


FIG. 2

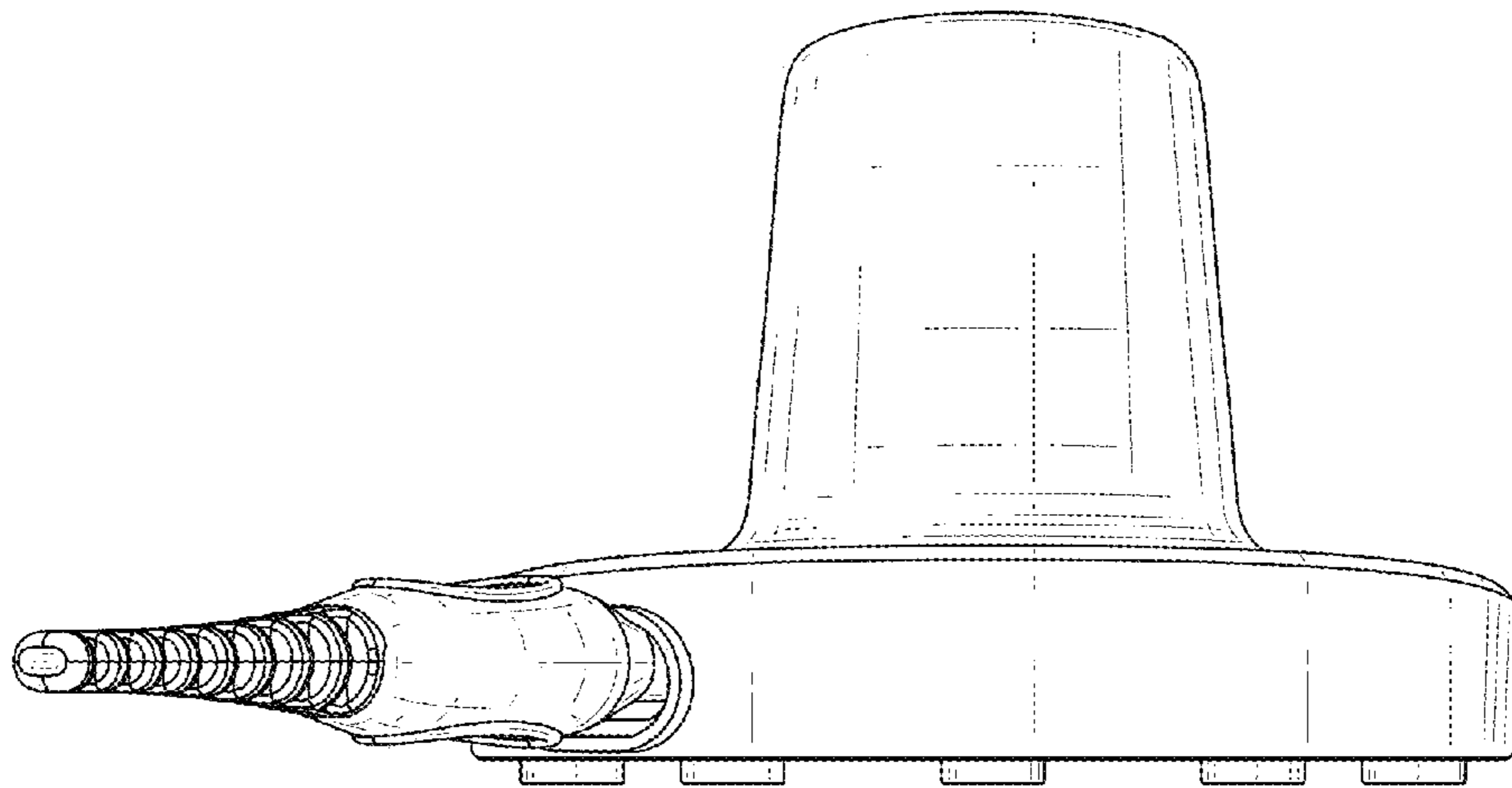


FIG. 3

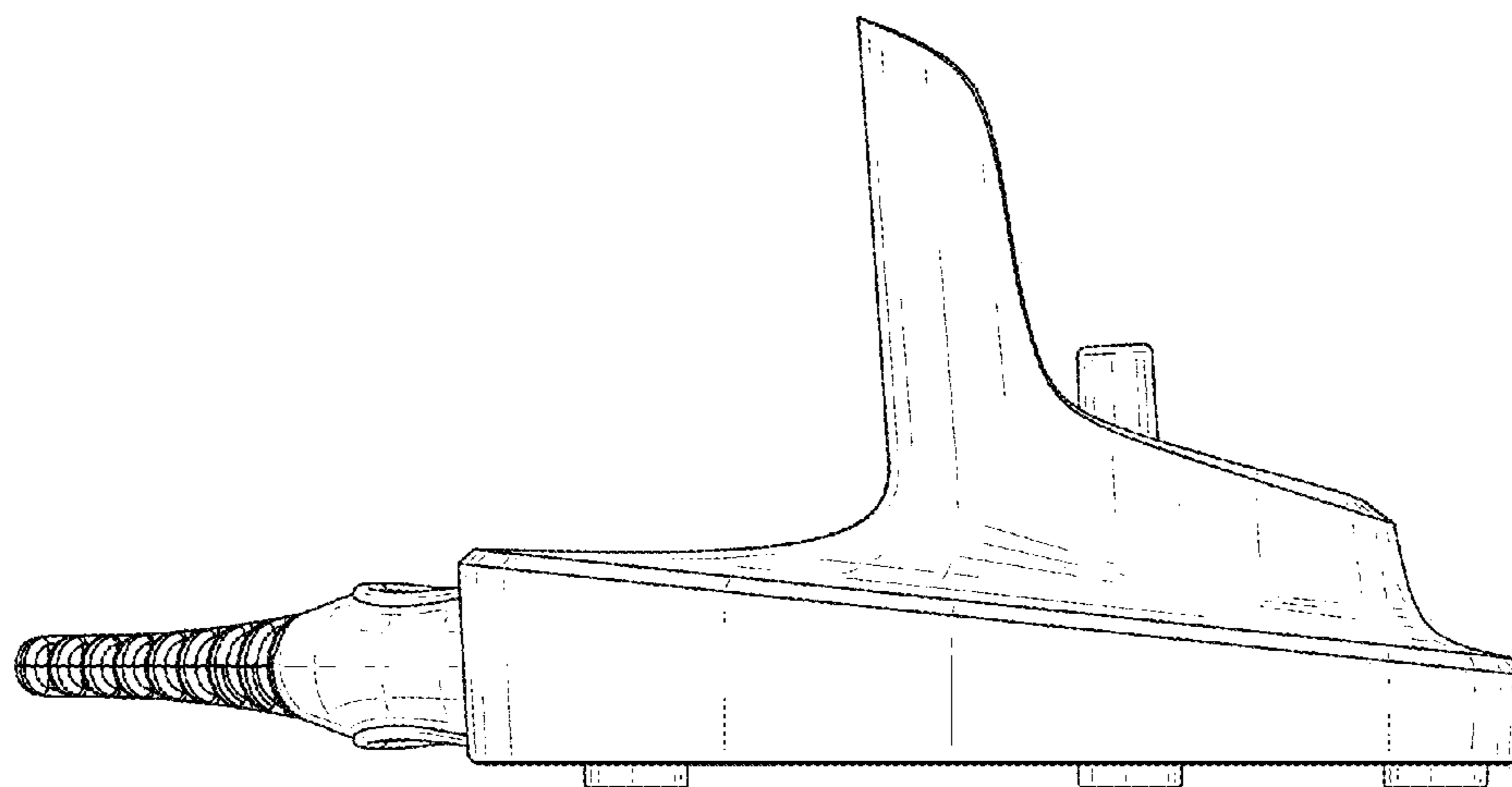


FIG. 4

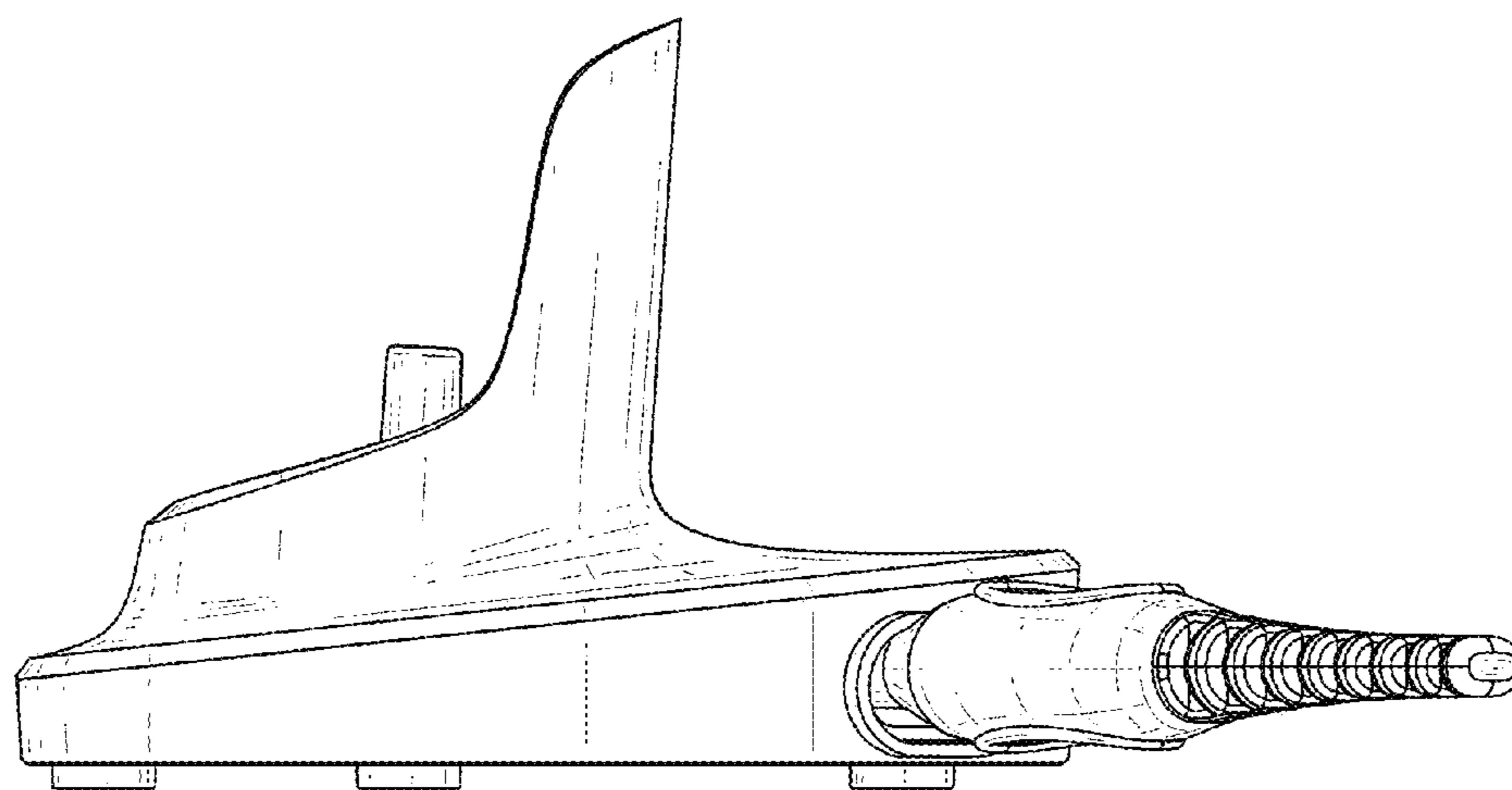


FIG. 5

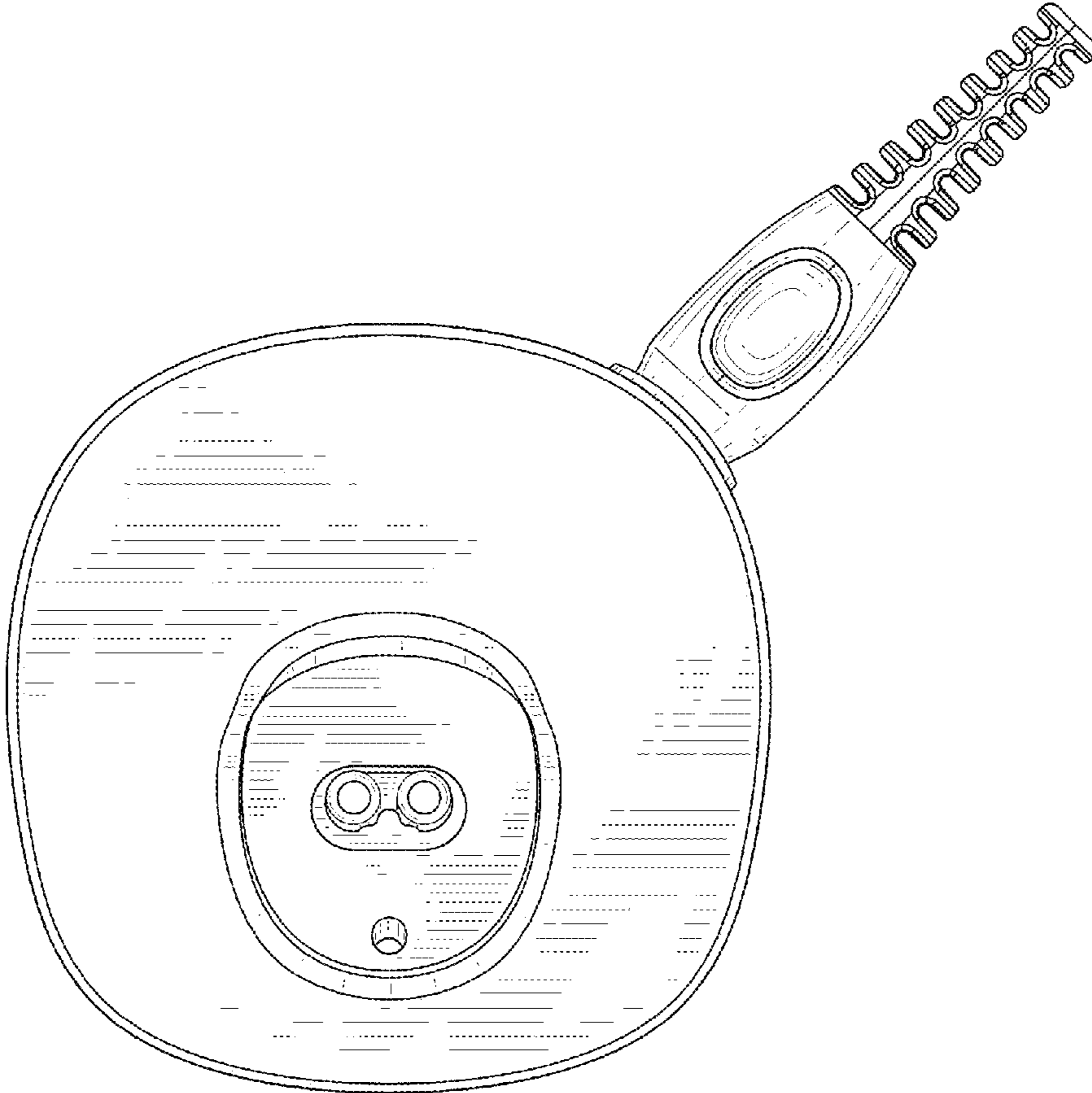


FIG. 6

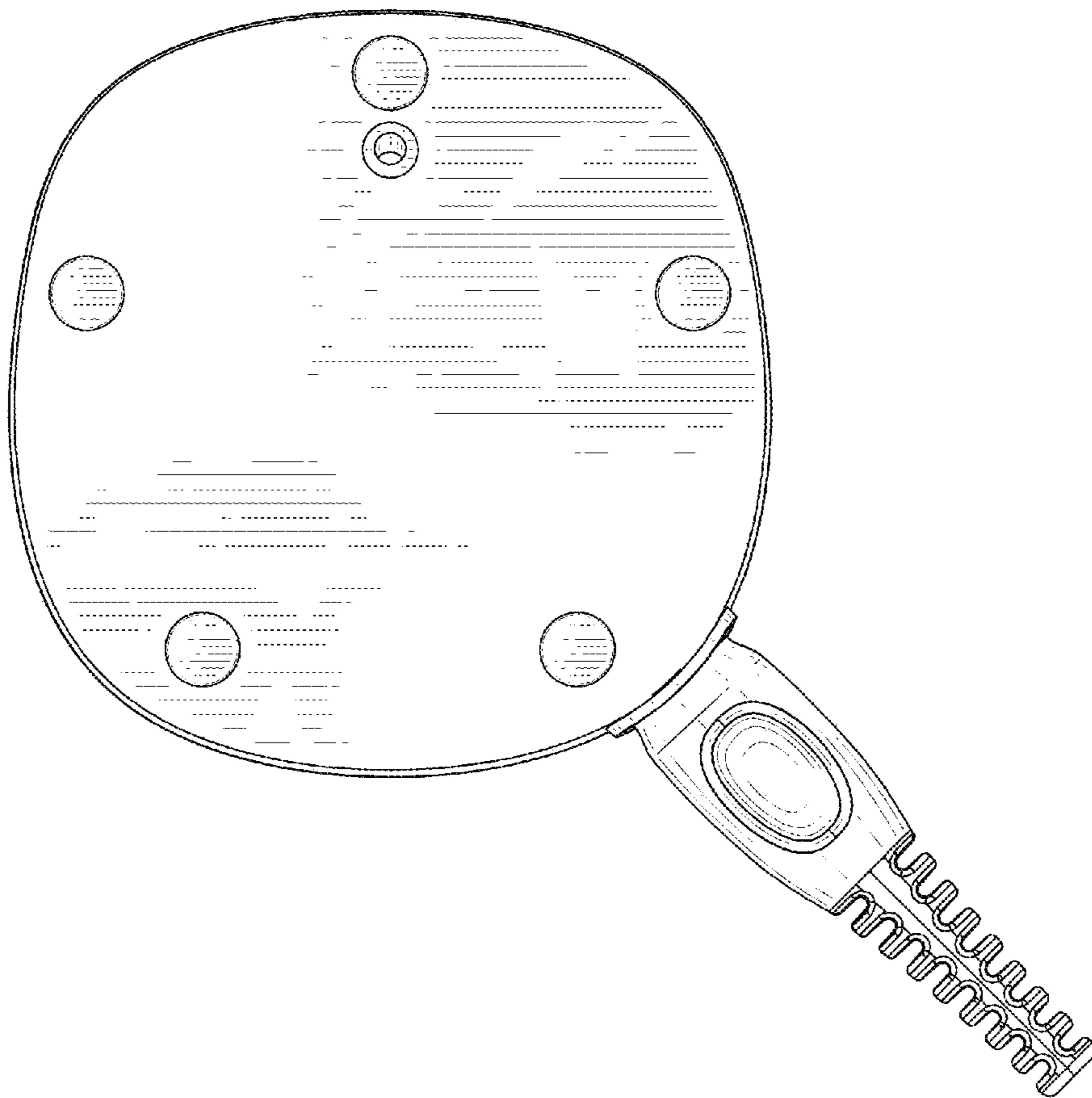


FIG. 7