



US00D759586S

(12) **United States Design Patent**
Swett et al.

(10) **Patent No.:** **US D759,586 S**
(45) **Date of Patent:** **** Jun. 21, 2016**

(54) **BATTERY**

(71) Applicant: **iRobot Corporation**, Bedford, MA (US)

(72) Inventors: **David Orrin Swett**, Waltham, MA (US);
Rogelio Manfred Neumann,
Somerville, MA (US); **Adam Daniel**
Leech, Melrose, MA (US)

(73) Assignee: **iRobot Corporation**, Bedford, MA (US)

(**) Term: **15 Years**

(21) Appl. No.: **29/528,771**

(22) Filed: **Jun. 1, 2015**

(51) **LOC (10) Cl.** **13-02**

(52) **U.S. Cl.**

USPC **D13/103**

(58) **Field of Classification Search**

USPC D13/102-110, 118, 119, 184, 199;
429/96-100, 149, 159, 163, 176, 177,
429/186; 206/703-705, 461-463, 471, 485,
206/485.1, 493; D14/203.3-203.8, 217,
D14/248, 250-253, 432, 434, 440, 450,
D14/496; 320/101, 102, 107-115, 120;
D3/201, 218, 269, 301, 273, 303;
361/679.56; 379/426, 433.11-433.13,
379/455; 455/575.1, 575.8

CPC Y02E 60/12; Y02E 60/122; Y02E 60/124;
Y02E 60/50; H01M 2/02; H01M 2/022;
H01M 2/0202; H01M 2/0207; H01M 2/0212;
H01M 2/1061; H01M 2/1022; H01M 2/1055;
H01M 2/1066; H01M 2/105; H01M 2/204;
H01M 10/4257; H01M 10/0436; H01M 10/48

See application file for complete search history.

(56) **References Cited**

U.S. PATENT DOCUMENTS

D428,384	S	*	7/2000	Maeyama	D13/103
D538,226	S	*	3/2007	Lyman	D13/103
8,399,128	B2	*	3/2013	Kim	H01M 2/1077
						429/158
D719,088	S	*	12/2014	Koebler	D13/104
D742,307	S	*	11/2015	DeKeuster	D13/103
D746,770	S	*	1/2016	Nook	D13/103
D750,558	S	*	3/2016	Yamachi	D13/103
2016/0072163	A1	*	3/2016	Tsuruta	H01M 10/658
						429/156

* cited by examiner

Primary Examiner — Rosemary K Tarcza

Assistant Examiner — Christy Nemeth

(74) *Attorney, Agent, or Firm* — Fish & Richardson P.C.

(57) **CLAIM**

The ornamental design for a battery, as shown and described.

DESCRIPTION

FIG. 1 is a top, front perspective view of a battery;

FIG. 2 is a top, rear perspective view thereof;

FIG. 3 is a bottom, front perspective view thereof;

FIG. 4 is a bottom, rear perspective view thereof;

FIG. 5 is a front view thereof;

FIG. 6 is a rear view thereof;

FIG. 7 is a right side view thereof;

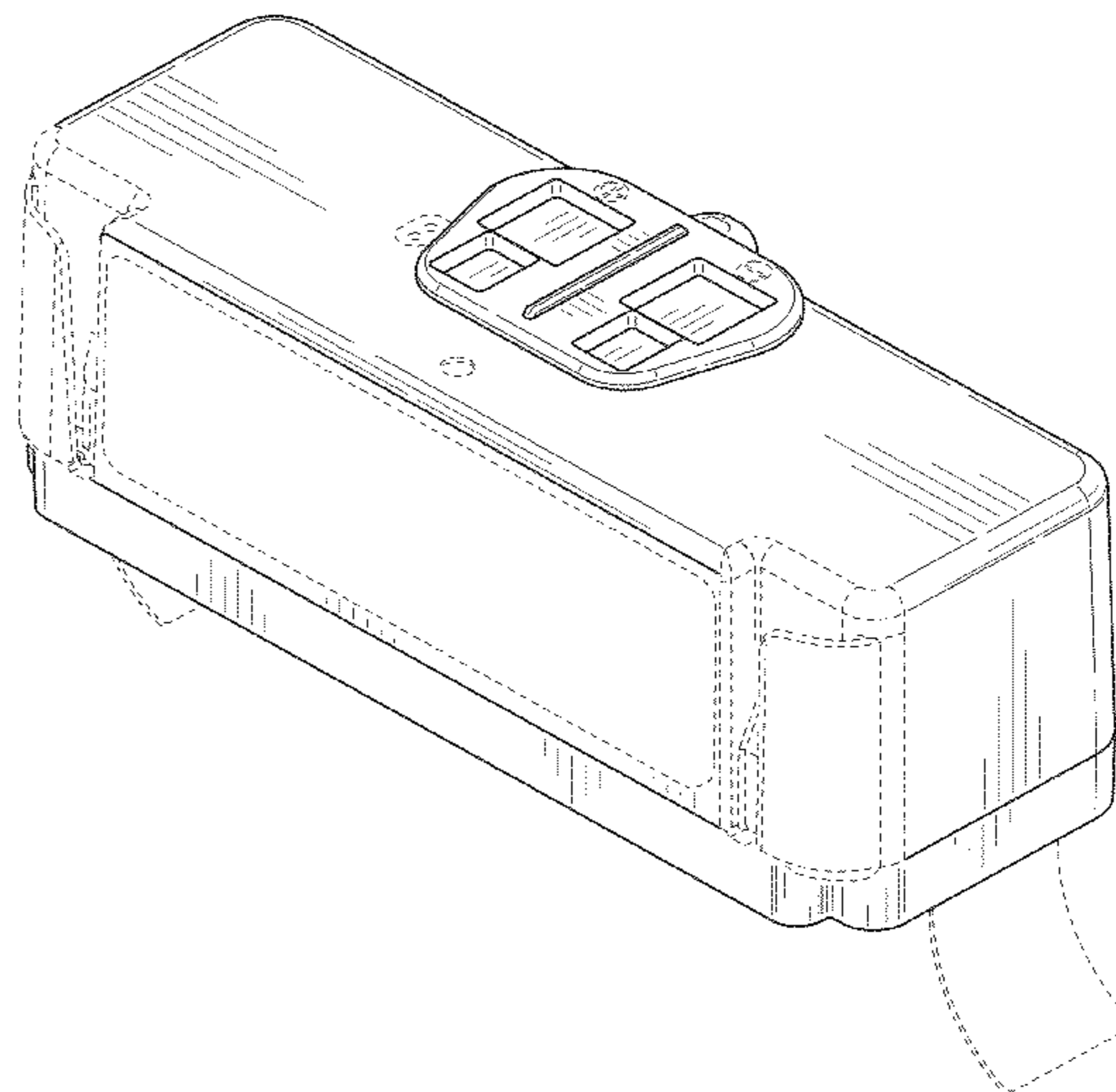
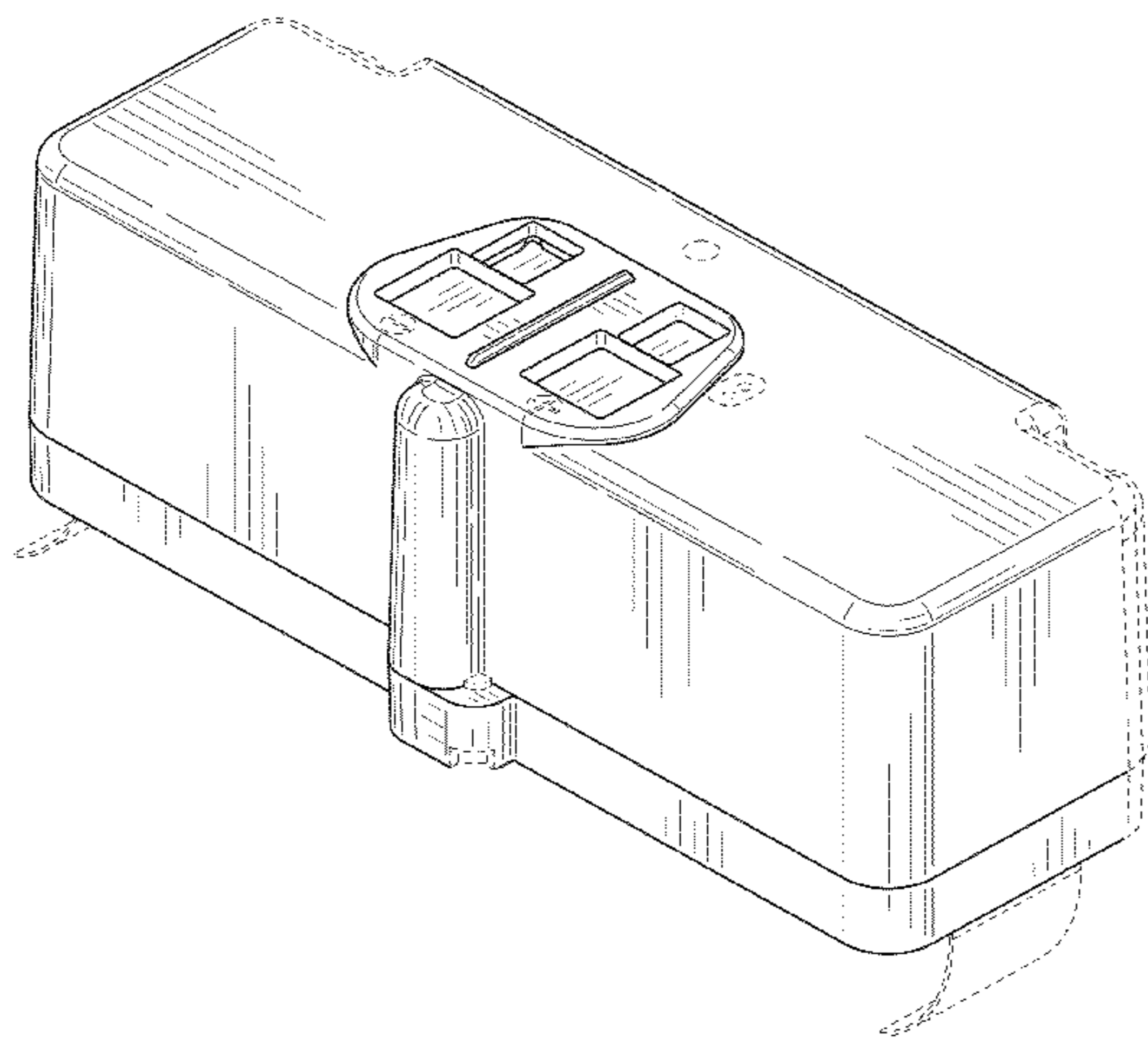
FIG. 8 is a left side view thereof;

FIG. 9 is a top view thereof; and,

FIG. 10 is a bottom view thereof.

The broken lines in the drawings illustrate elements of the battery which form no part of the claimed design.

1 Claim, 5 Drawing Sheets



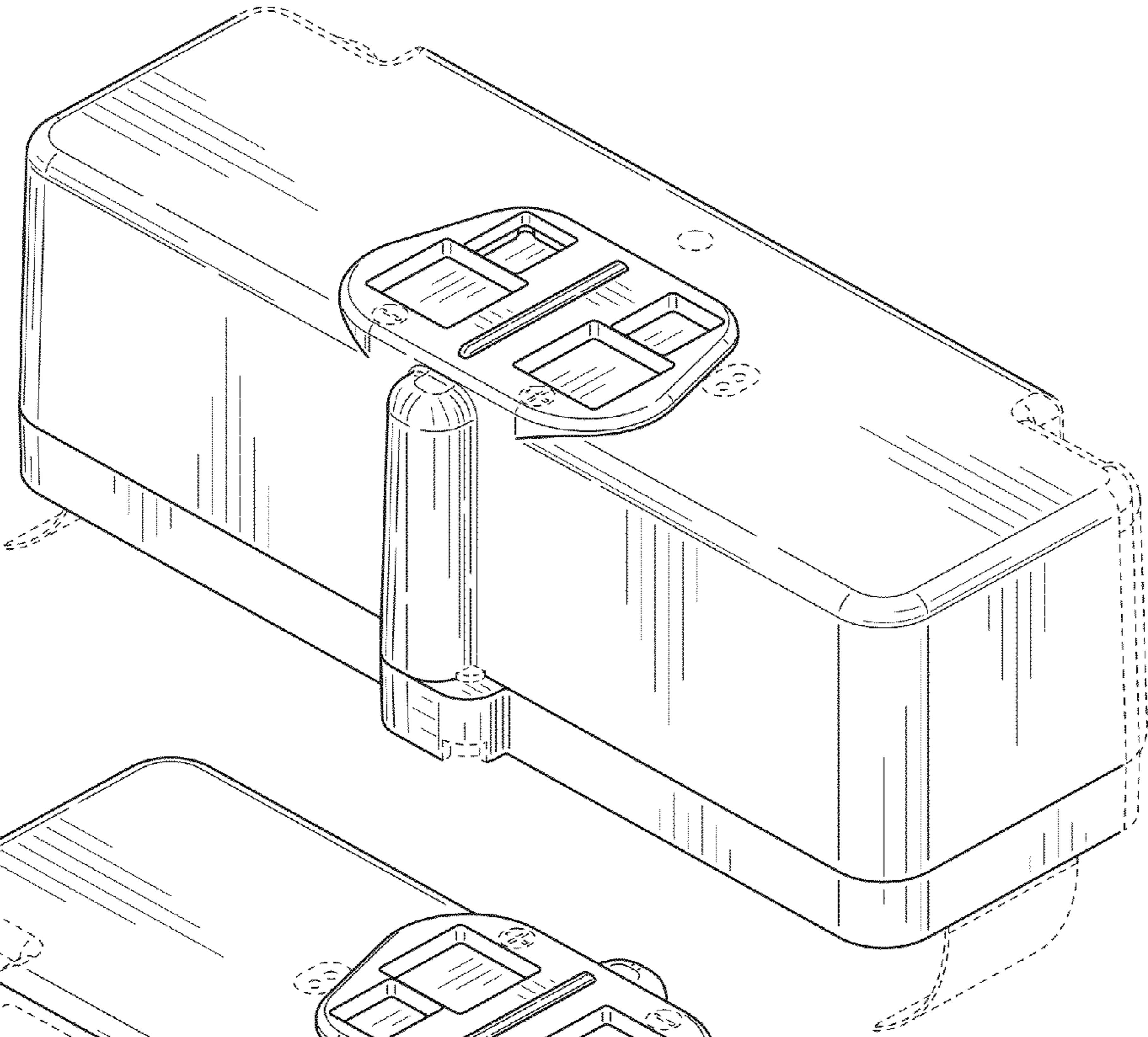


FIG. 1

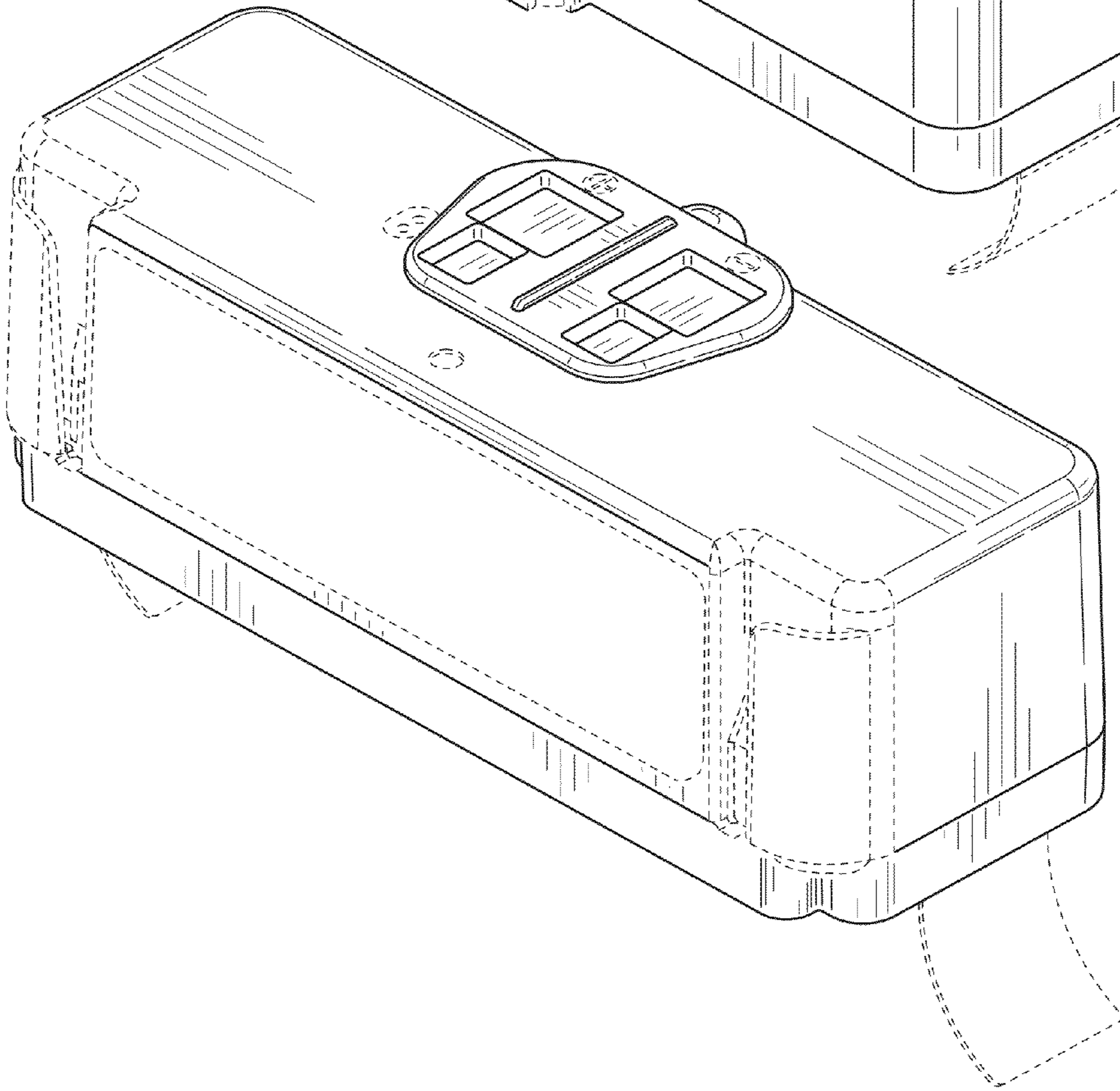


FIG. 2

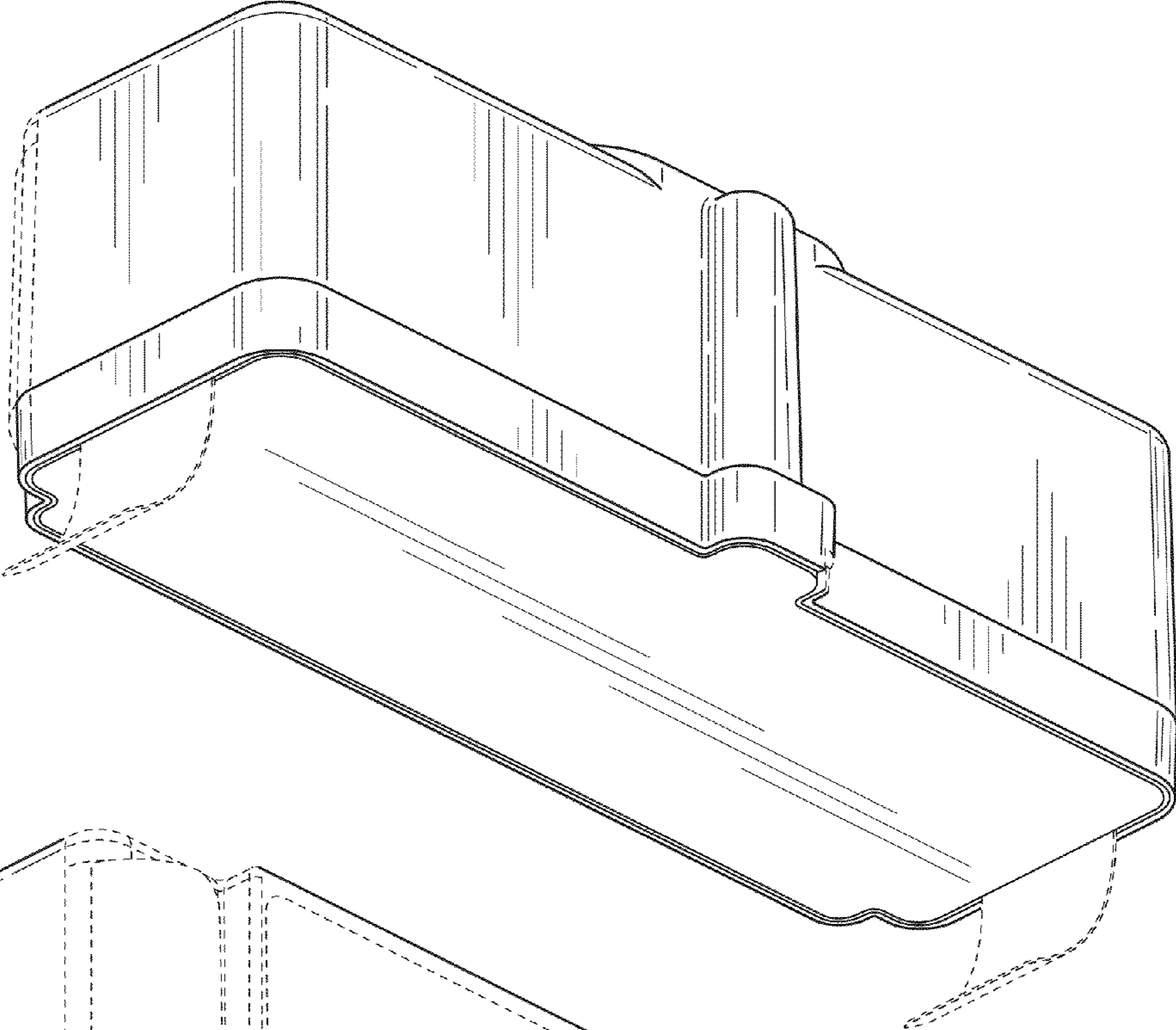


FIG. 3

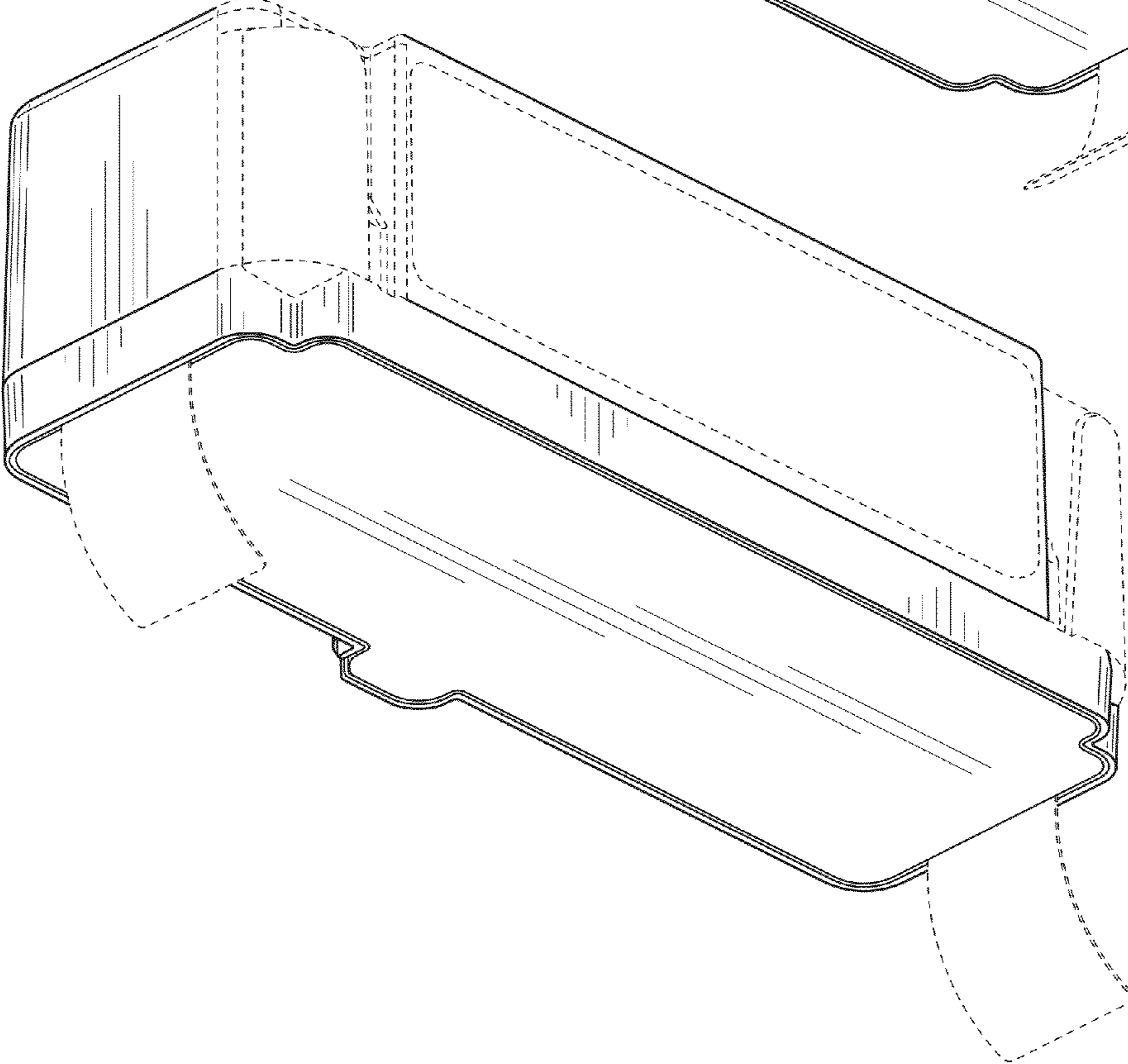


FIG. 4

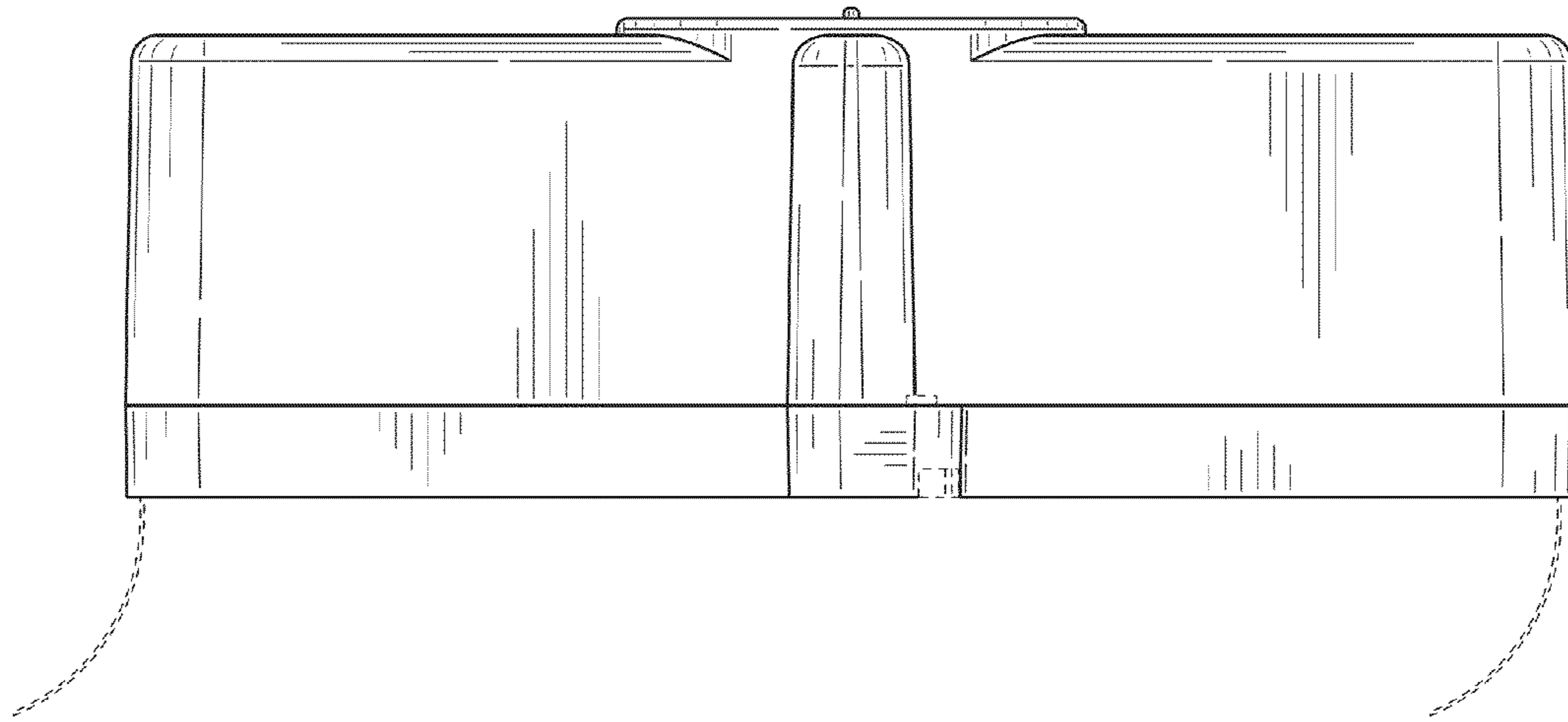


FIG. 5

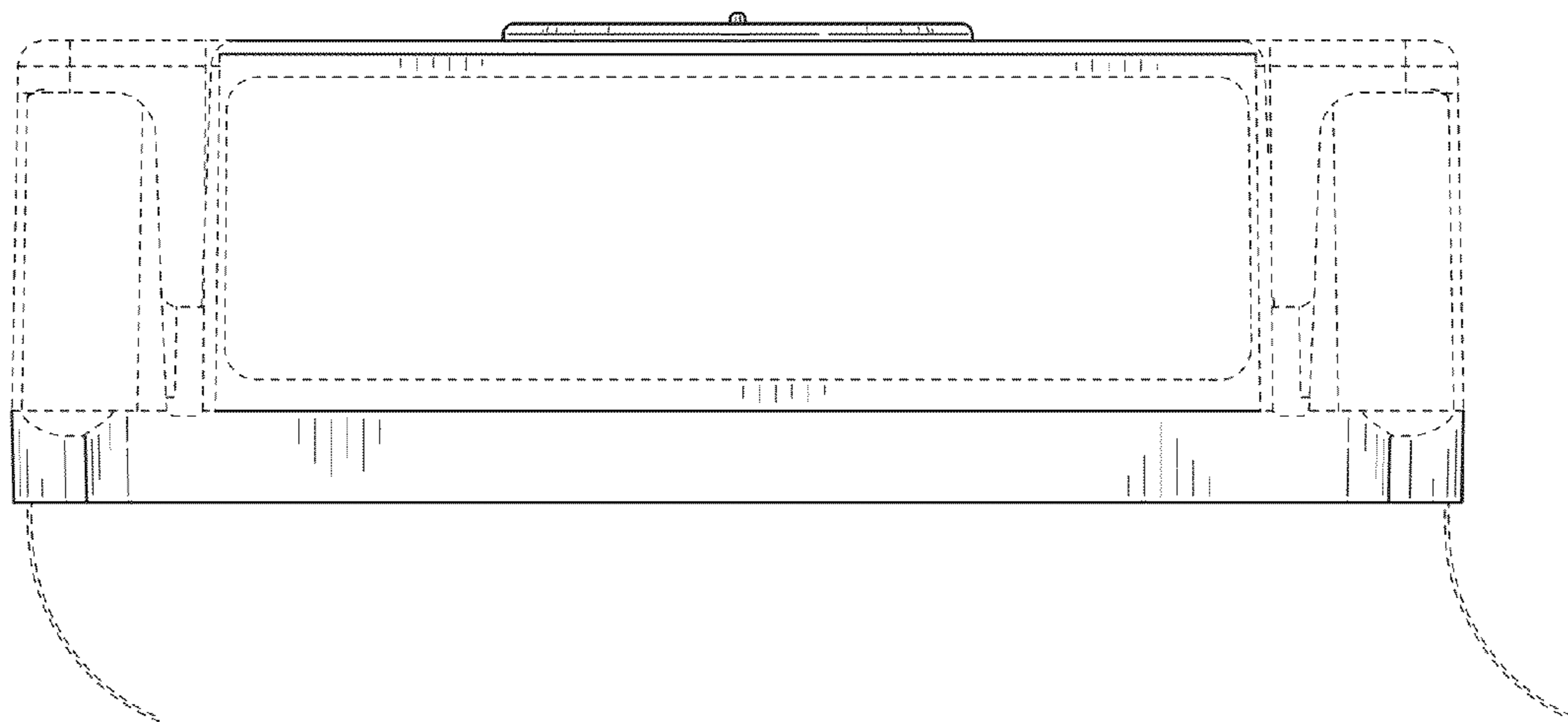


FIG. 6

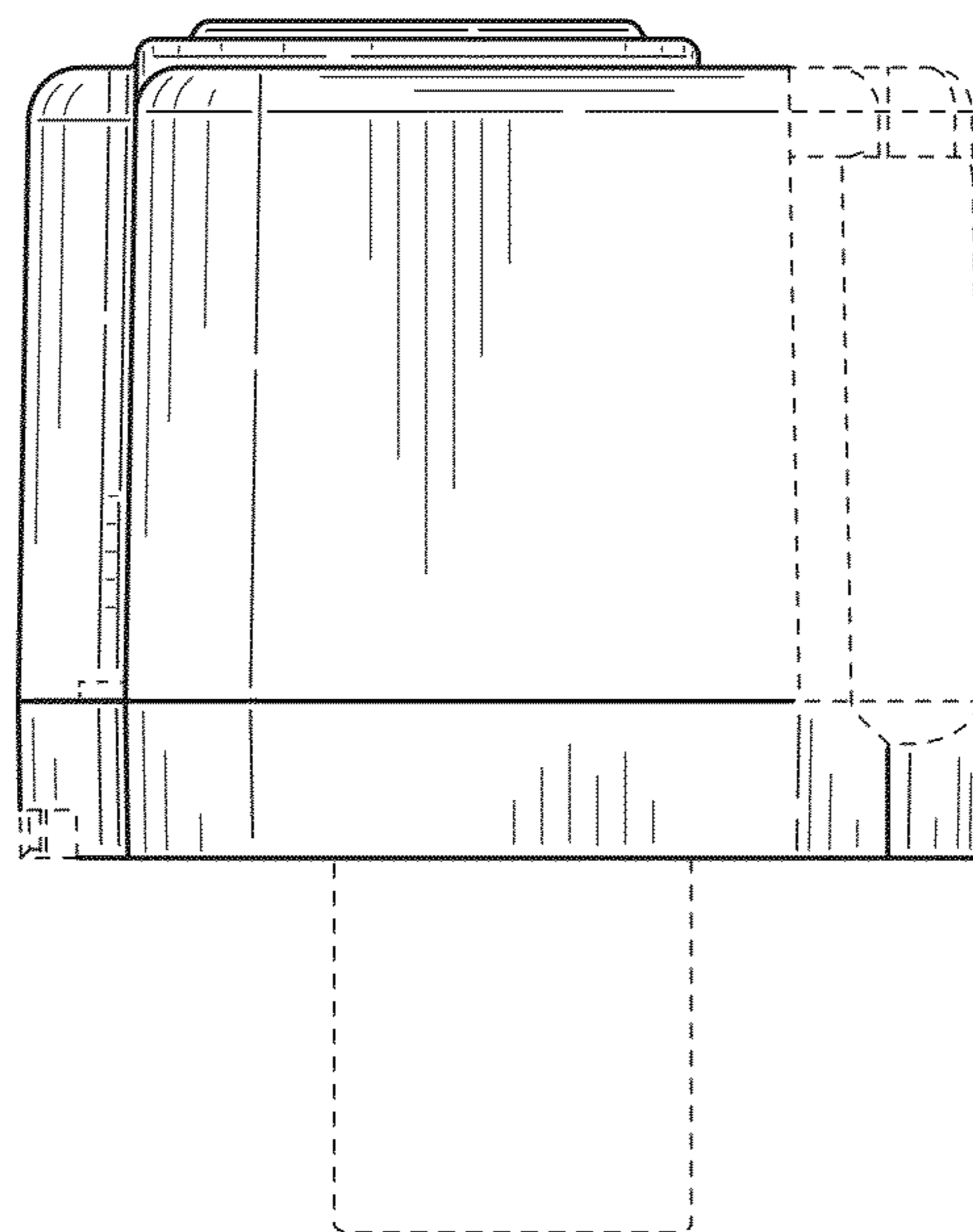


FIG. 7

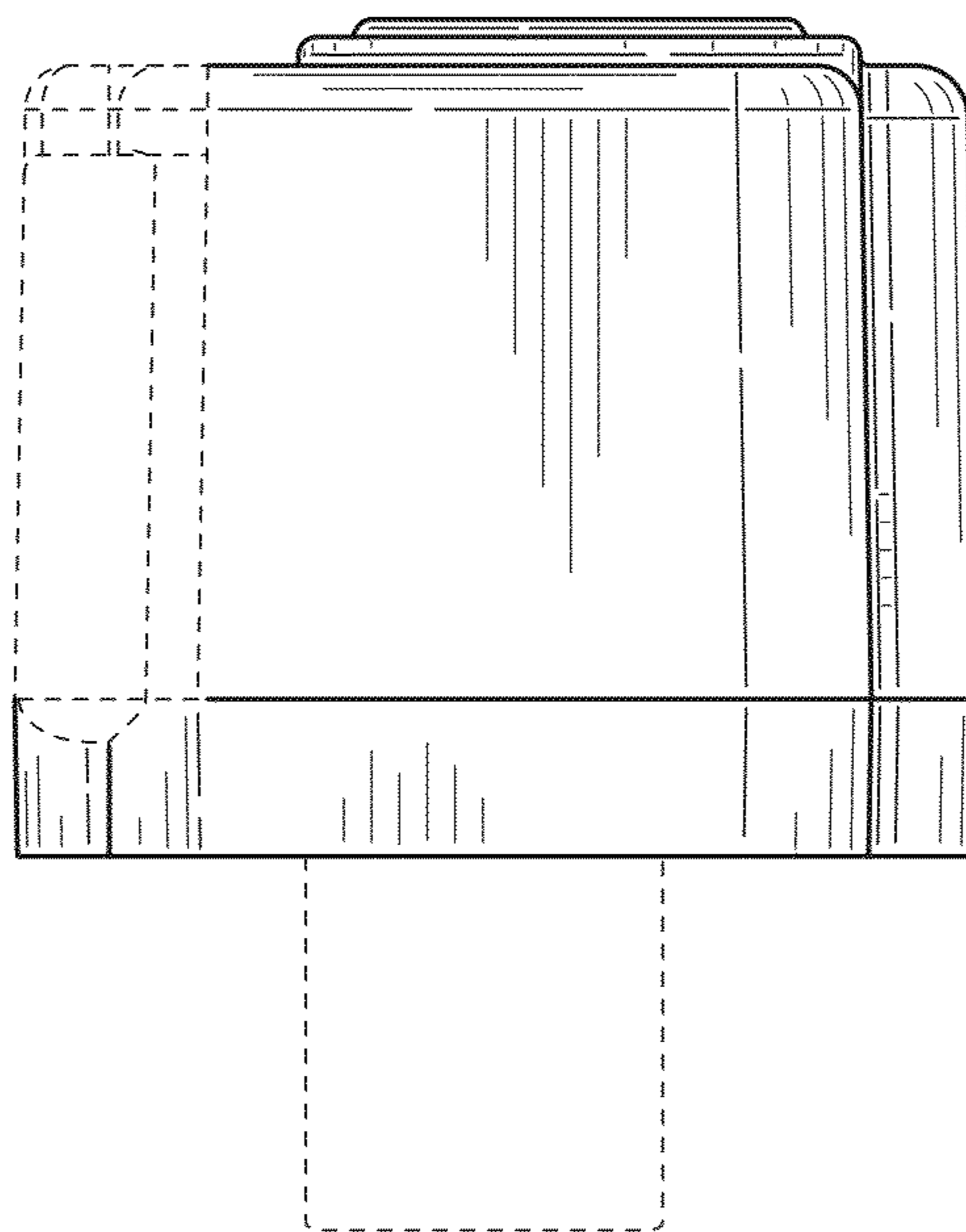


FIG. 8

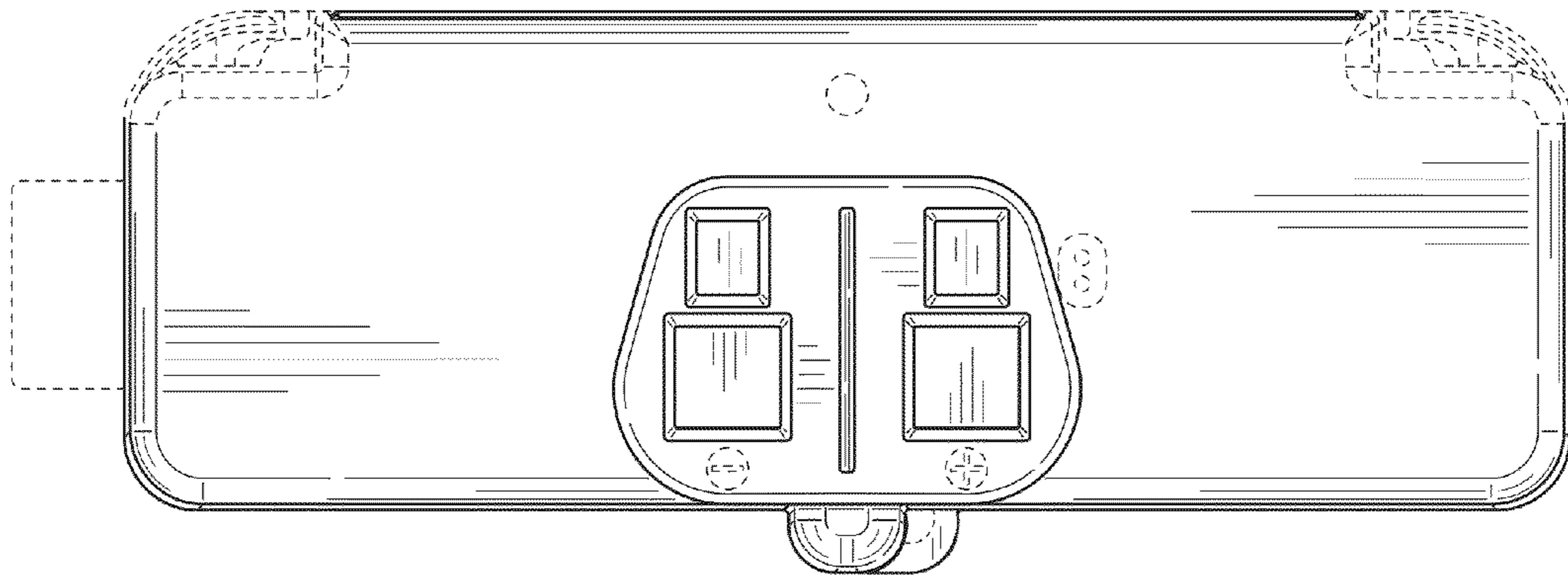


FIG. 9

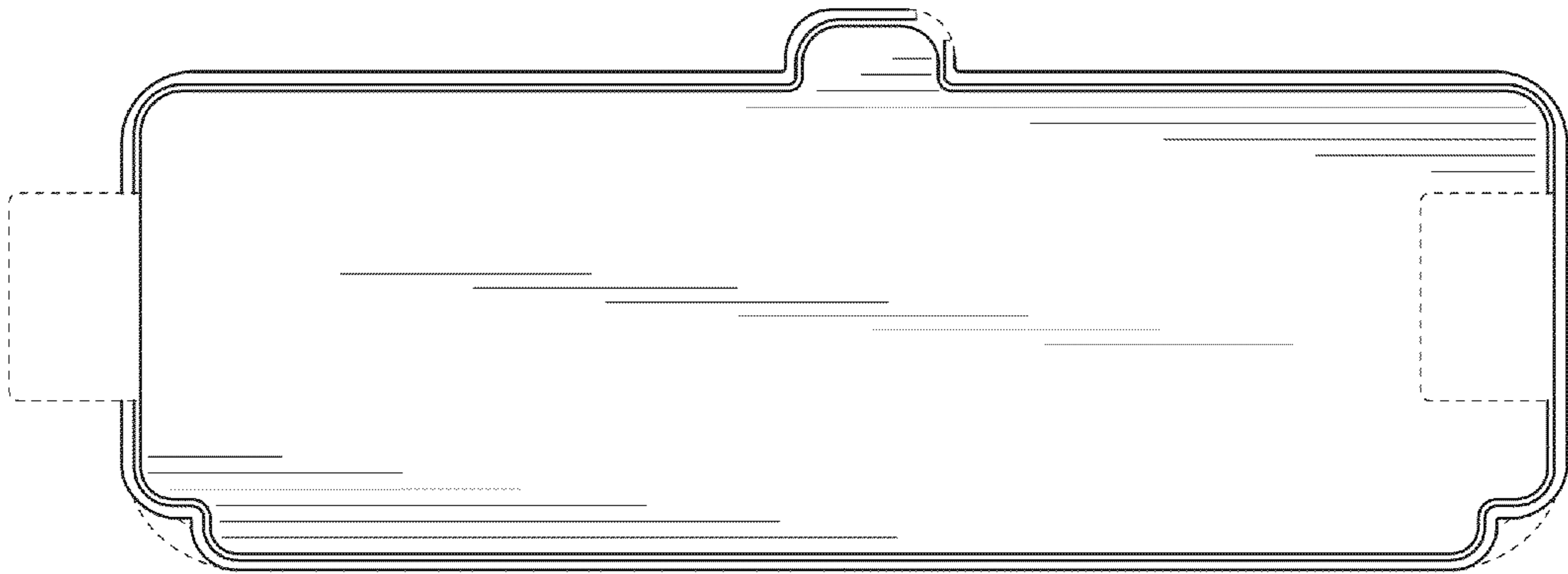


FIG. 10