



US00D759583S

(12) **United States Design Patent**
Krier et al.

(10) **Patent No.:** **US D759,583 S**
(45) **Date of Patent:** **** Jun. 21, 2016**

- (54) **TIRE**
- (71) Applicant: **The Goodyear Tire & Rubber Company, Akron, OH (US)**
- (72) Inventors: **Jean-Julien Edouard Ghislain Krier, Bastogne (BE); Georges Gaston Feider, Bettborn (LU)**
- (73) Assignee: **The Goodyear Tire & Rubber Company, Akron, OH (US)**
- (**) Term: **14 Years**
- (21) Appl. No.: **29/507,003**
- (22) Filed: **Oct. 23, 2014**
- (51) **LOC (10) Cl.** **12-15**
- (52) **U.S. Cl.**
USPC **D12/600**
- (58) **Field of Classification Search**
USPC D12/568–603
CPC B60C 5/00; B60C 11/04; B60C 11/11;
B60C 11/13; B60C 11/12; B60C 2011/1213;
B60C 11/03
See application file for complete search history.

(56) **References Cited**

U.S. PATENT DOCUMENTS

D380,715 S	7/1997	Harris et al.	D12/147
D383,102 S	9/1997	Harris et al.	D12/147
D383,716 S	9/1997	Brown et al.	D12/147
D390,818 S	2/1998	de Barsy et al.	D12/147
D410,420 S	6/1999	de Barsy	D12/147
D425,830 S *	5/2000	Young	D12/602
D427,552 S	7/2000	Young	D12/147
D442,897 S	5/2001	Cazin-Bourguignon et al.	D12/147
D444,109 S	6/2001	De Coninck et al.	D12/147
D458,584 S	6/2002	Young et al.	D12/600
D517,977 S	3/2006	Robert	D12/579
D549,157 S	8/2007	Maus et al.	D12/544
D583,312 S	12/2008	Murphy et al.	D12/602
D601,488 S	10/2009	Maus et al.	D12/600

D631,002 S	1/2011	Cazin-Bourguignon et al.	D12/602
D641,314 S	7/2011	Strader et al.	D12/602
D645,398 S *	9/2011	Kiwaki	D12/602
D648,262 S	11/2011	Hermann et al.	D12/579
D662,457 S	6/2012	Krier et al.	D12/588
D667,364 S	9/2012	Krier et al.	D12/586
D674,742 S	1/2013	Krier et al.	D12/598
D678,831 S	3/2013	Hermann et al.	D12/579
D686,566 S	7/2013	Maus et al.	D12/594
D710,296 S *	8/2014	Bani Hani	D12/583
D737,199 S *	8/2015	Gomez	D12/602

* cited by examiner

Primary Examiner — George D Kirschbaum

Assistant Examiner — Jennifer Watkins

(74) *Attorney, Agent, or Firm* — Robert N. Lipsick

(57) **CLAIM**

The ornamental design for a tire, as shown and described.

DESCRIPTION

FIG. 1 is a perspective view of a tire showing our new design, it being understood that the pattern repeats uniformly throughout the circumference of the tread;

FIG. 2 is a front elevational view thereof;

FIG. 3 is a right side elevational view thereof; the opposite side elevational view being identical thereto;

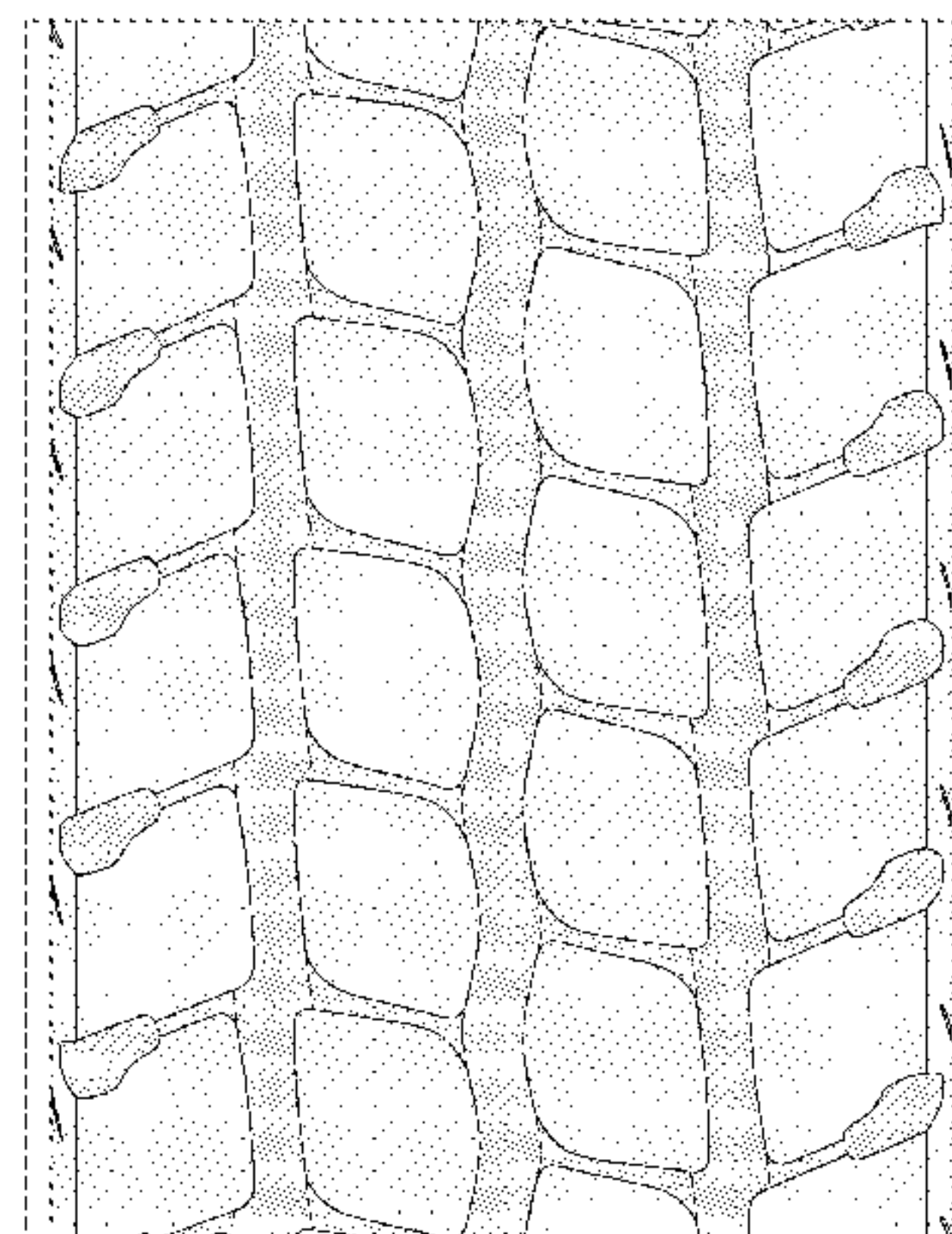
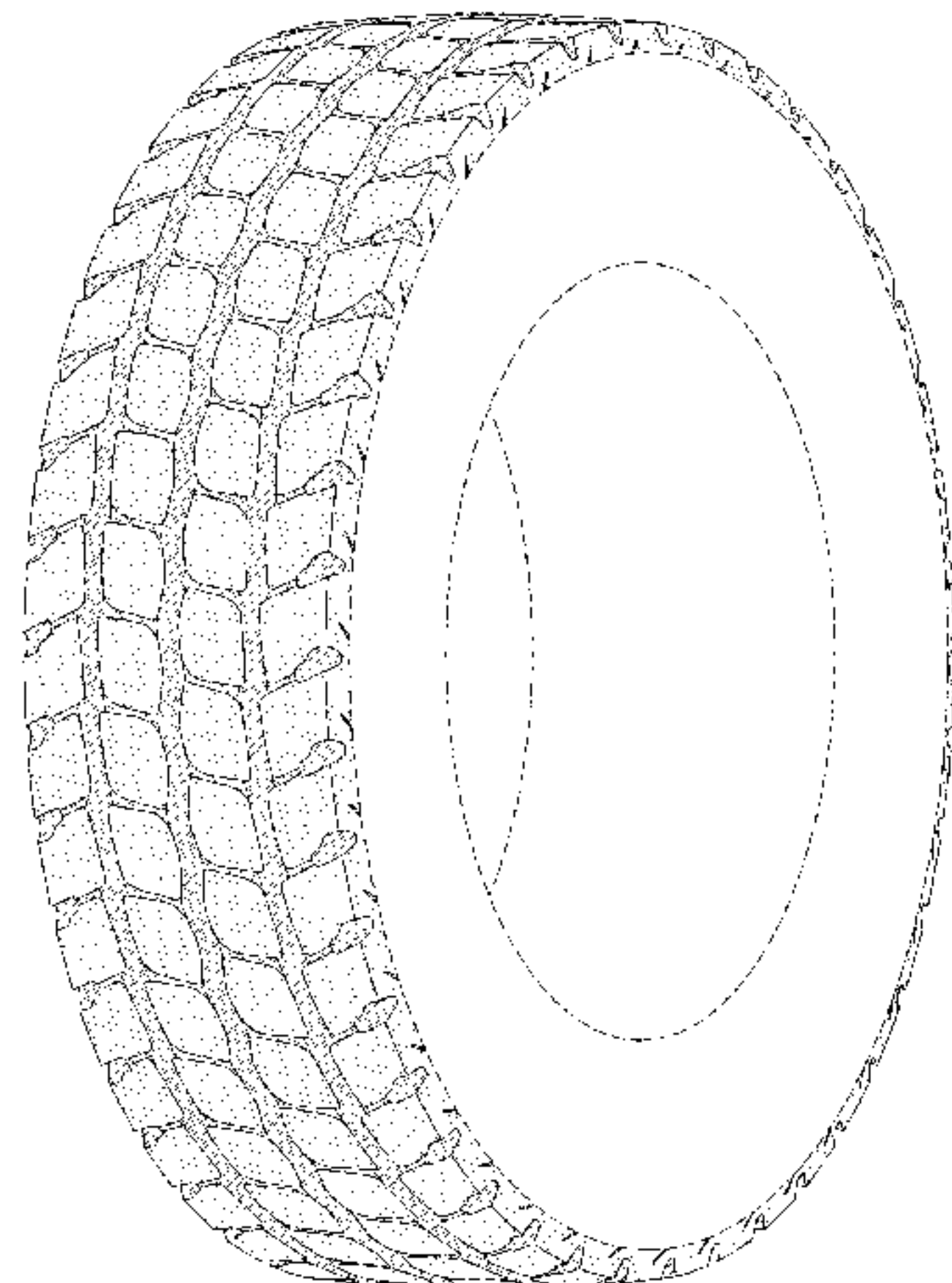
FIG. 4 is an enlarged fragmentary front elevational view thereof;

FIG. 5 is a perspective view of a second embodiment of a tire showing our new design, it being understood that the pattern repeats uniformly throughout the circumference of the tread and that the opposite side view is identical thereto; and,

FIG. 6 is a front elevational view of a second embodiment, it being understood that an enlarged fragmentary view thereof would be substantially identical to that shown in FIG. 4, with the exception of the inclusion of the sidewall in solid lines.

In the drawings, the broken lines showing of the sidewall, inner bead and the peripheral boundary between the tire tread and the sidewall in FIGS. 1 through 4 depict environmental subject matter and form no part of the claimed design.

1 Claim, 6 Drawing Sheets



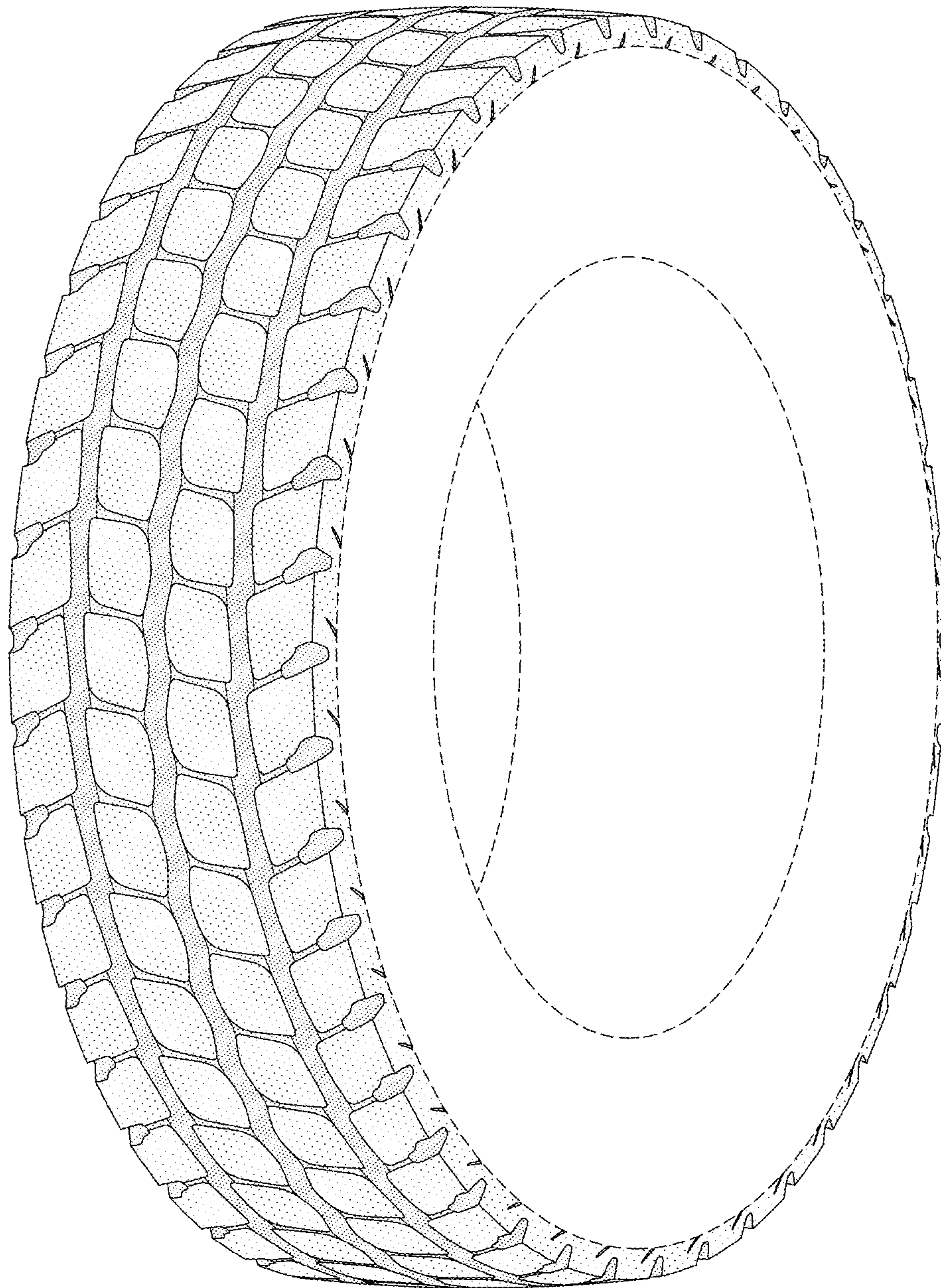


FIG-1

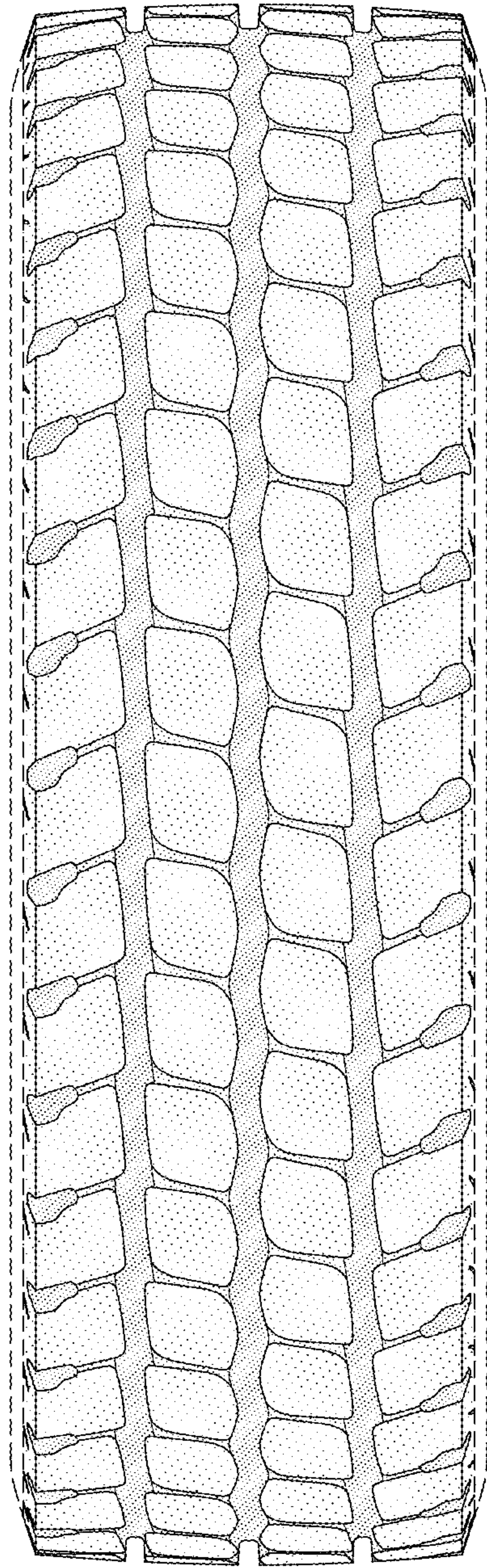


FIG-2

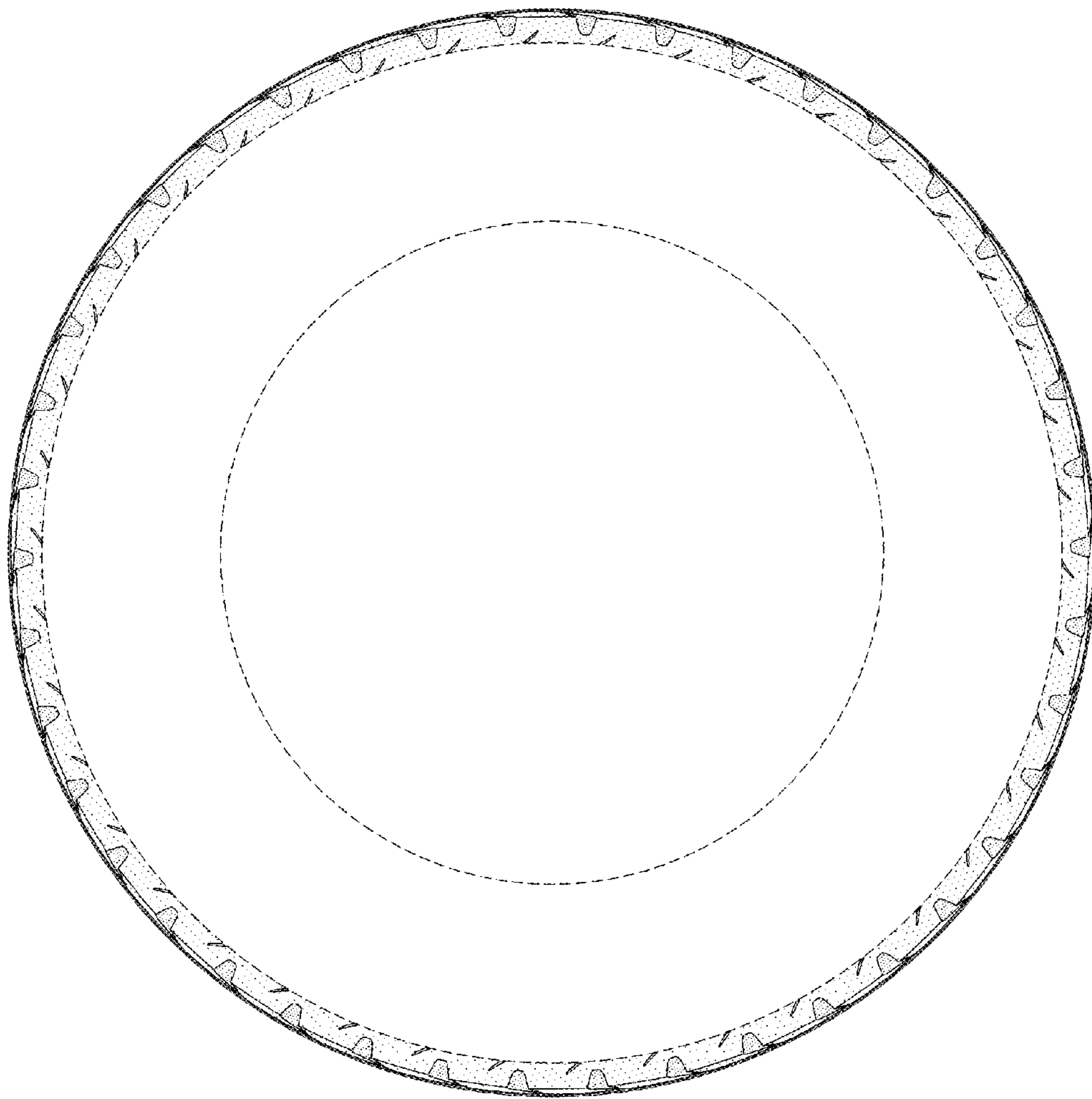


FIG-3

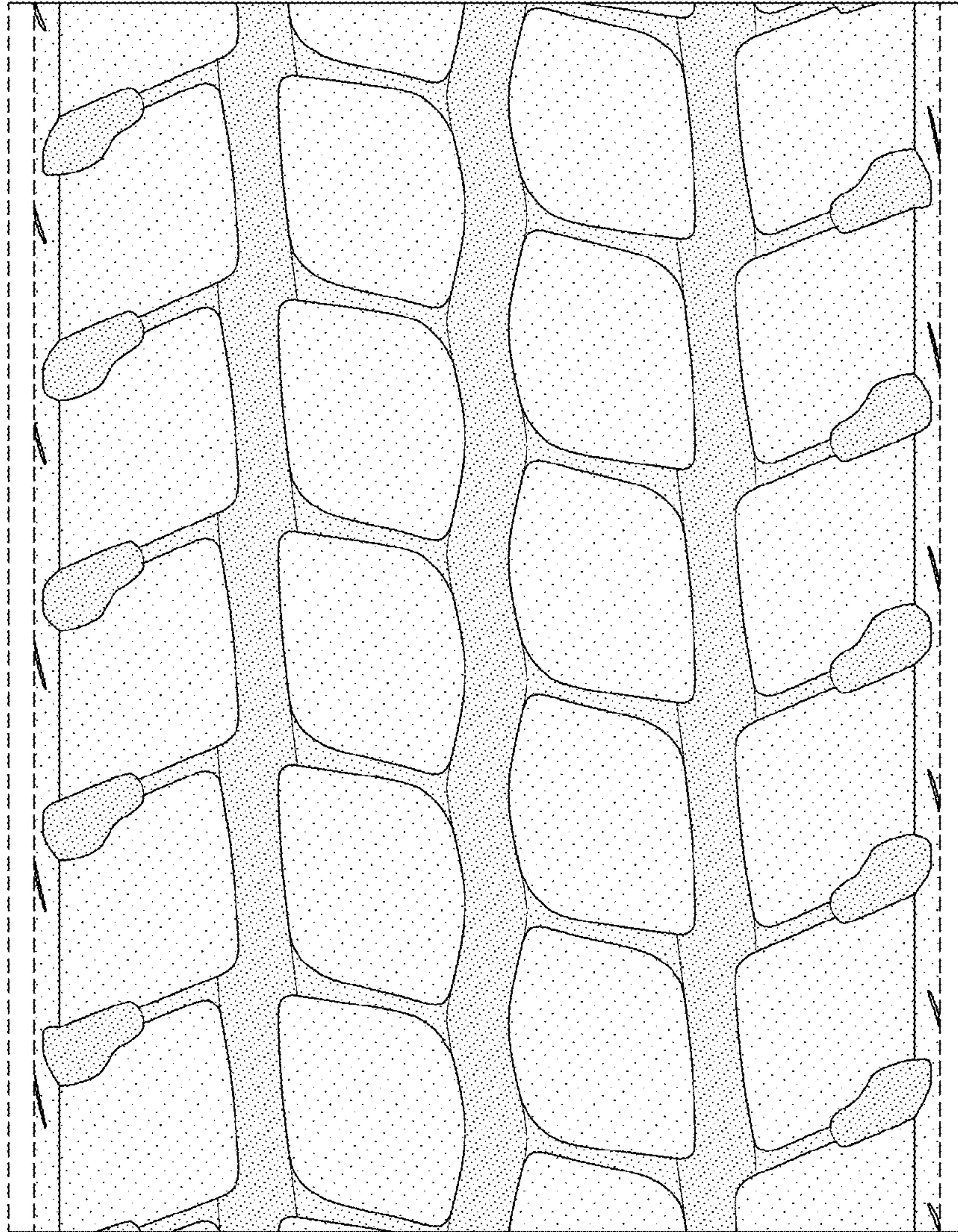


FIG-4

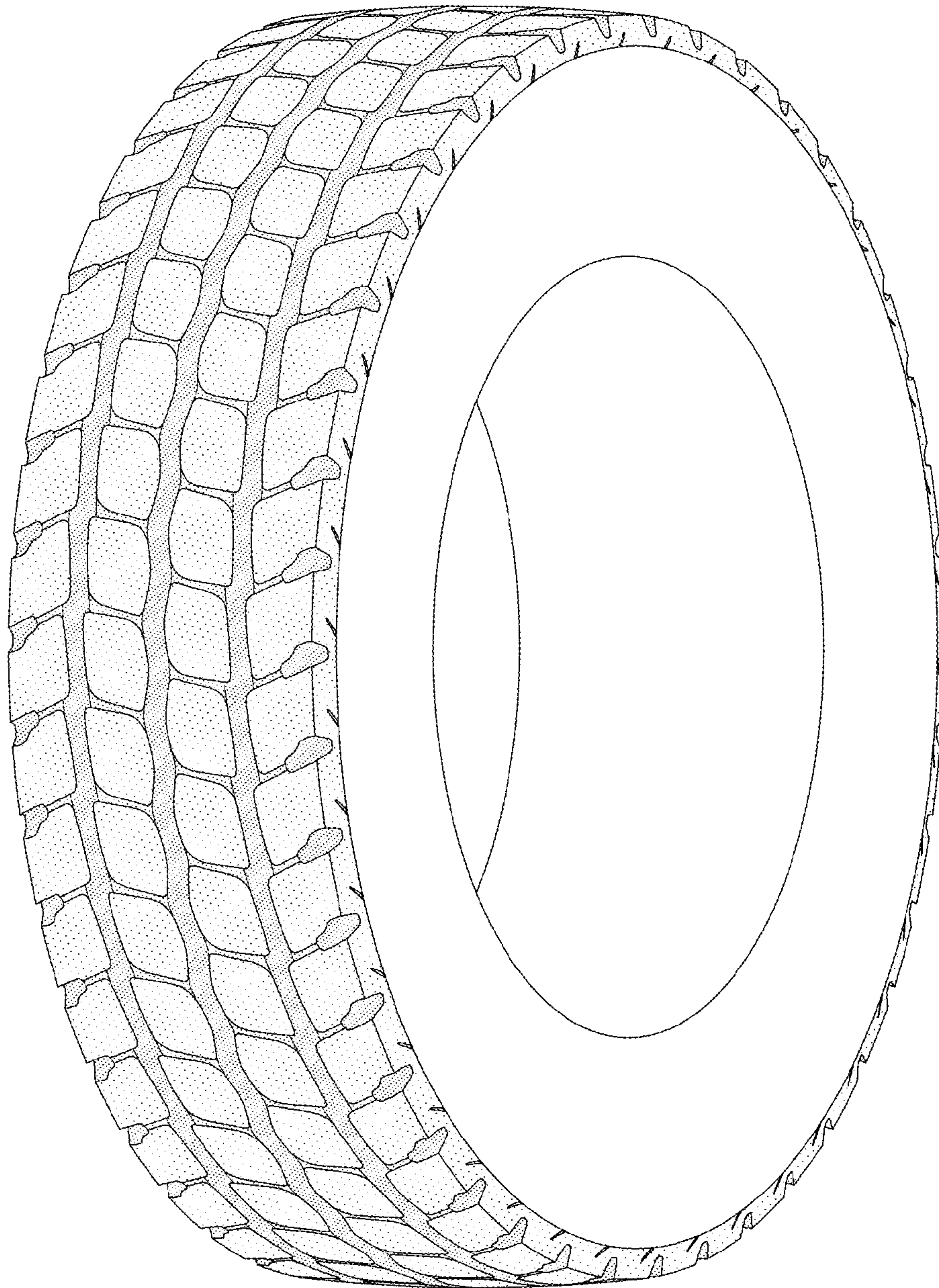


FIG-5

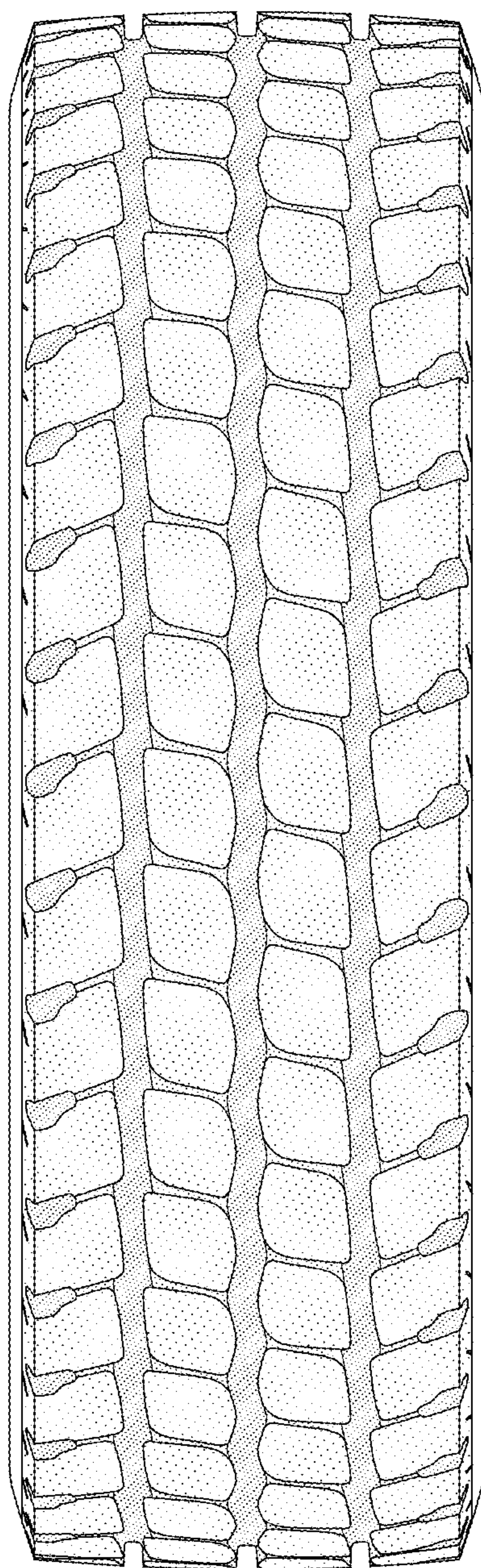


FIG-6