



US00D759575S

(12) **United States Design Patent**
Yasunaga

(10) **Patent No.:** **US D759,575 S**
(45) **Date of Patent:** **** Jun. 21, 2016**

(54) **TIRE**

(71) Applicant: **Toyo Tire & Rubber Co., Ltd.**, Osaka (JP)

(72) Inventor: **Toshikazu Yasunaga**, Osaka (JP)

(73) Assignee: **Toyo Tire & Rubber Co., Ltd.**, Osaka (JP)

(**) Term: **14 Years**

(21) Appl. No.: **29/504,916**

(22) Filed: **Oct. 10, 2014**

(30) **Foreign Application Priority Data**

May 21, 2014 (JP) 2014-010839

(51) **LOC (10) Cl.** **12-15**

(52) **U.S. Cl.**
USPC **D12/524**

(58) **Field of Classification Search**
USPC D12/500-532, 900-901
CPC B60C 11/0304; B60C 11/0302; B60C 11/0306; B60C 11/0309; B60C 11/0318; B60C 11/0311; B60C 11/042; B60C 11/13; B60C 11/00; B60C 11/11; B60C 11/12
See application file for complete search history.

(56) **References Cited**

U.S. PATENT DOCUMENTS

D336,454 S * 6/1993 Maxwell D12/524
D525,579 S * 7/2006 Graas D12/514

D529,861 S * 10/2006 Takahashi D12/531
D551,157 S * 9/2007 Shondel D12/524
D558,129 S * 12/2007 Sato D12/524
D570,766 S * 6/2008 Kiwaki D12/519
D586,289 S * 2/2009 Park D12/524
D603,783 S * 11/2009 Carlton D12/501
D627,706 S * 11/2010 Behr D12/524
D635,503 S * 4/2011 Nakamura D12/524
D689,013 S 9/2013 Yasunaga

* cited by examiner

Primary Examiner — Stacia Cadmus

(74) *Attorney, Agent, or Firm* — Sterne, Kessler, Goldstein & Fox P.L.L.C.

(57) **CLAIM**

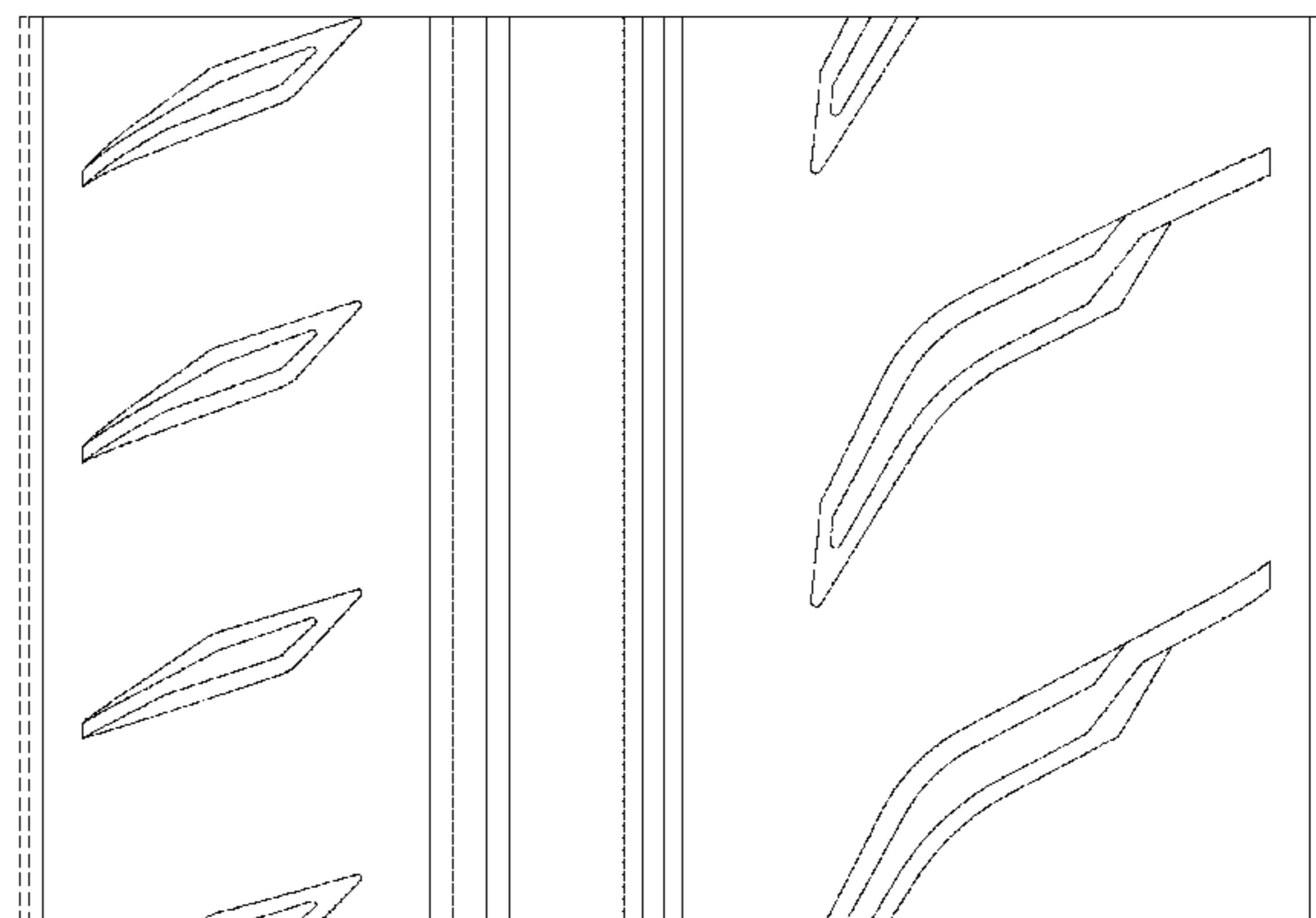
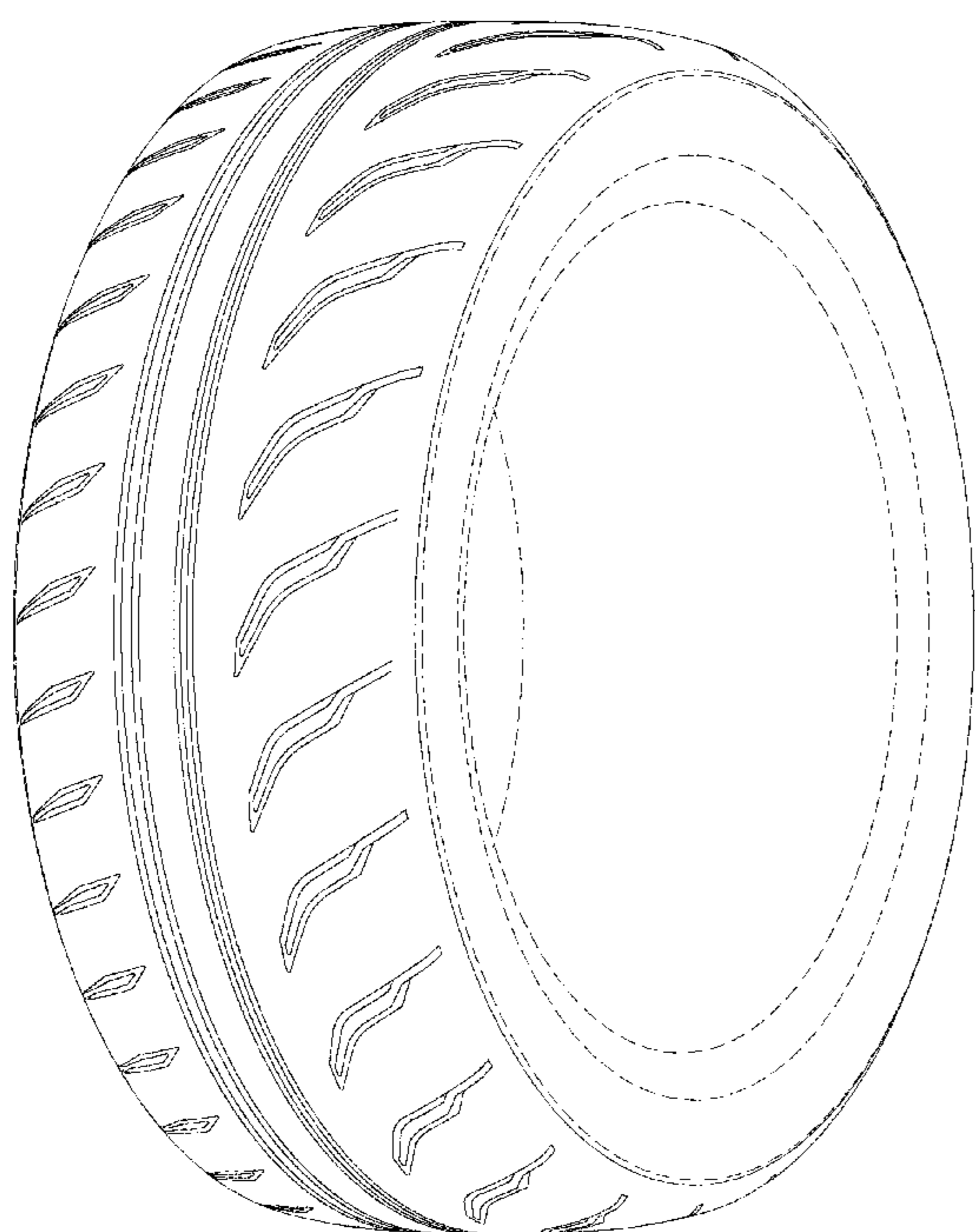
The ornamental design for a tire, as shown and described.

DESCRIPTION

FIG. 1 is a perspective view of a tire showing our new design; FIG. 2 is a front view thereof; FIG. 3 is a rear view thereof; FIG. 4 is a top plan view thereof, the bottom plan view being a mirror image; FIG. 5 is a right side view thereof; FIG. 6 is a left side view thereof; FIG. 7 is an enlarged cross-sectional view taken along line 7-7 in FIG. 2 and line 7'-7' in FIG. 5; and, FIG. 8 is an enlarged view taken along lines 8-8 and 8'-8' in FIG. 2.

In the drawings, the broken lines showing portions of the sidewall and inner bead depict portions of the tire that form no part of the claimed design.

1 Claim, 8 Drawing Sheets



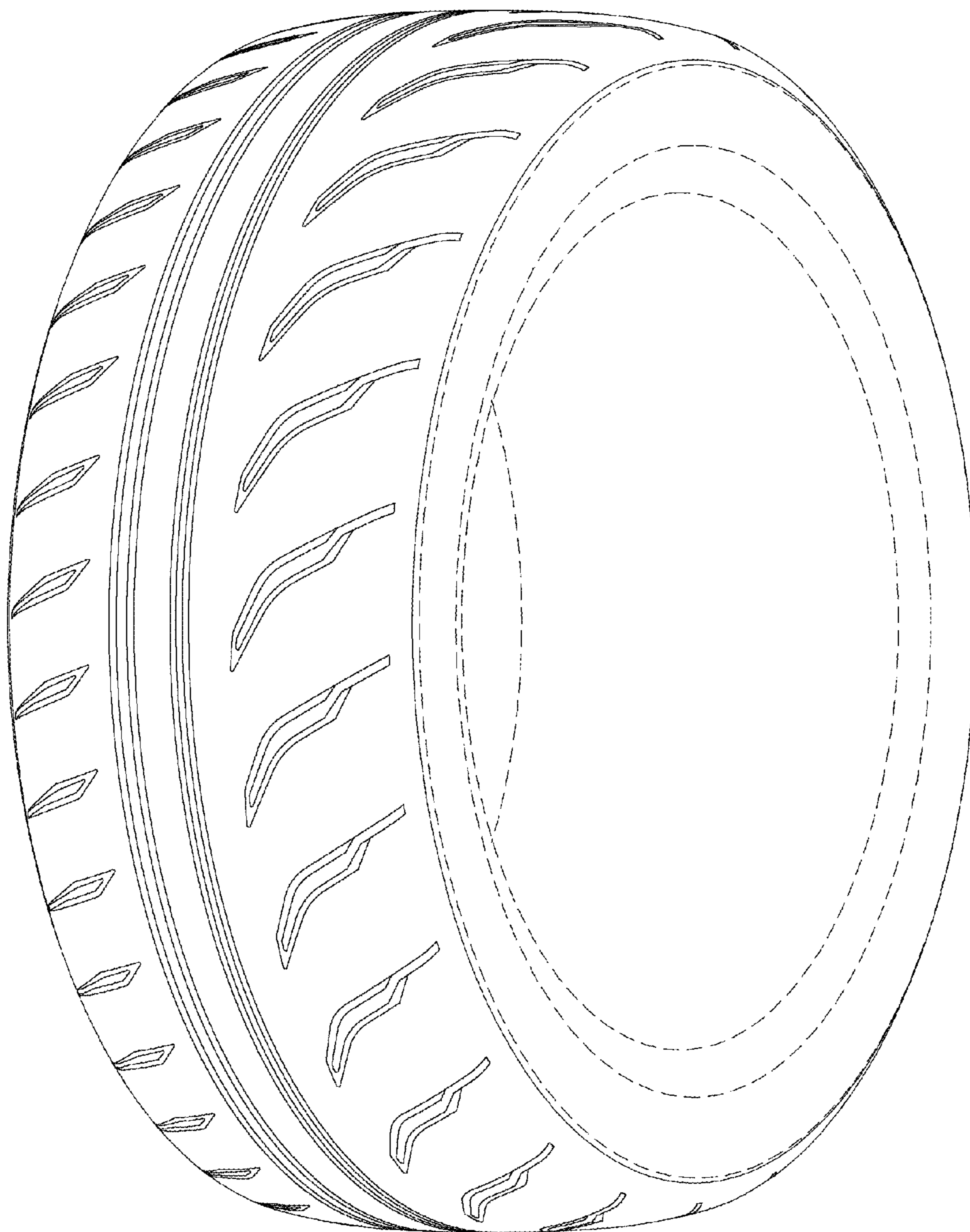


FIG. 1

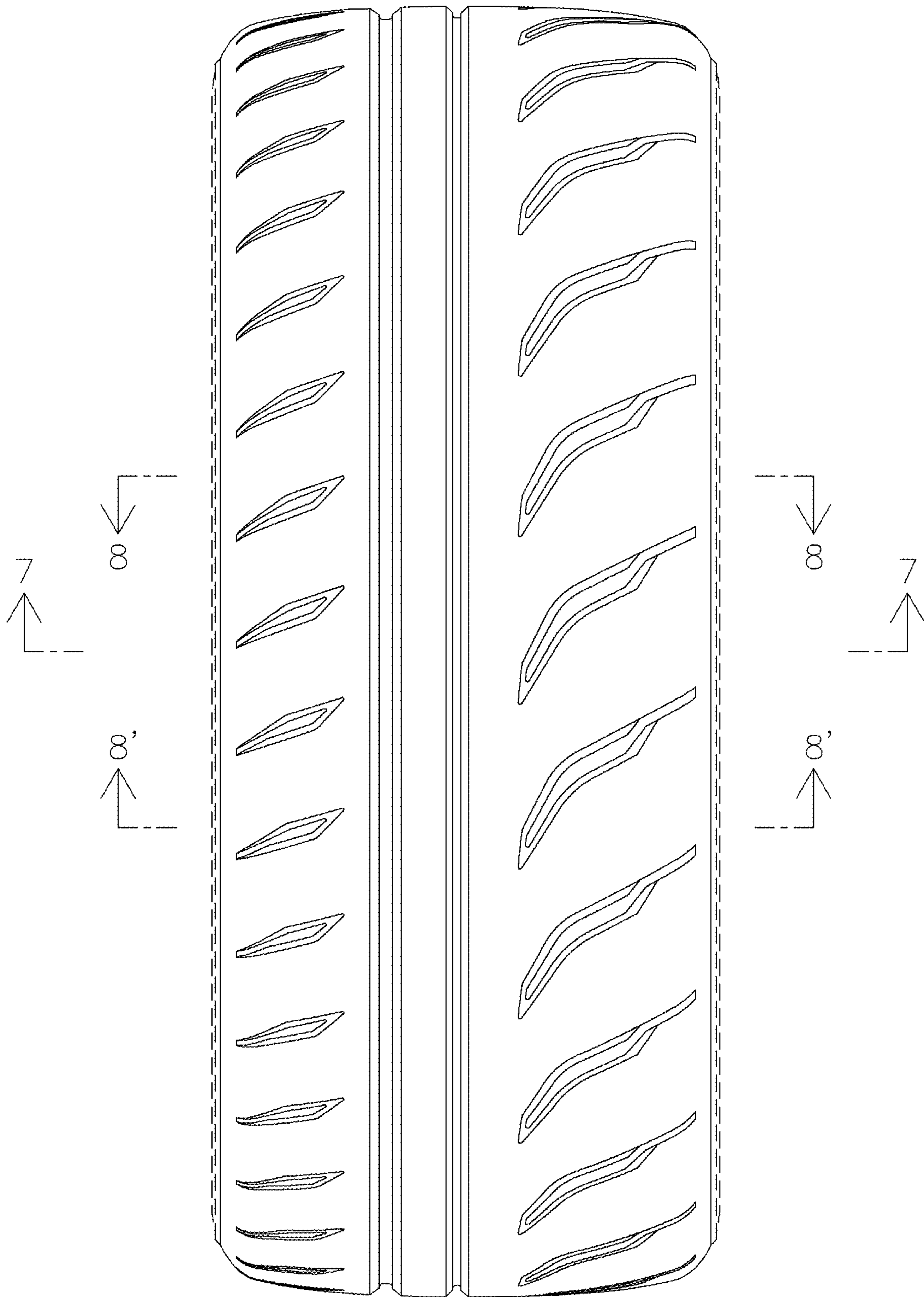


FIG. 2

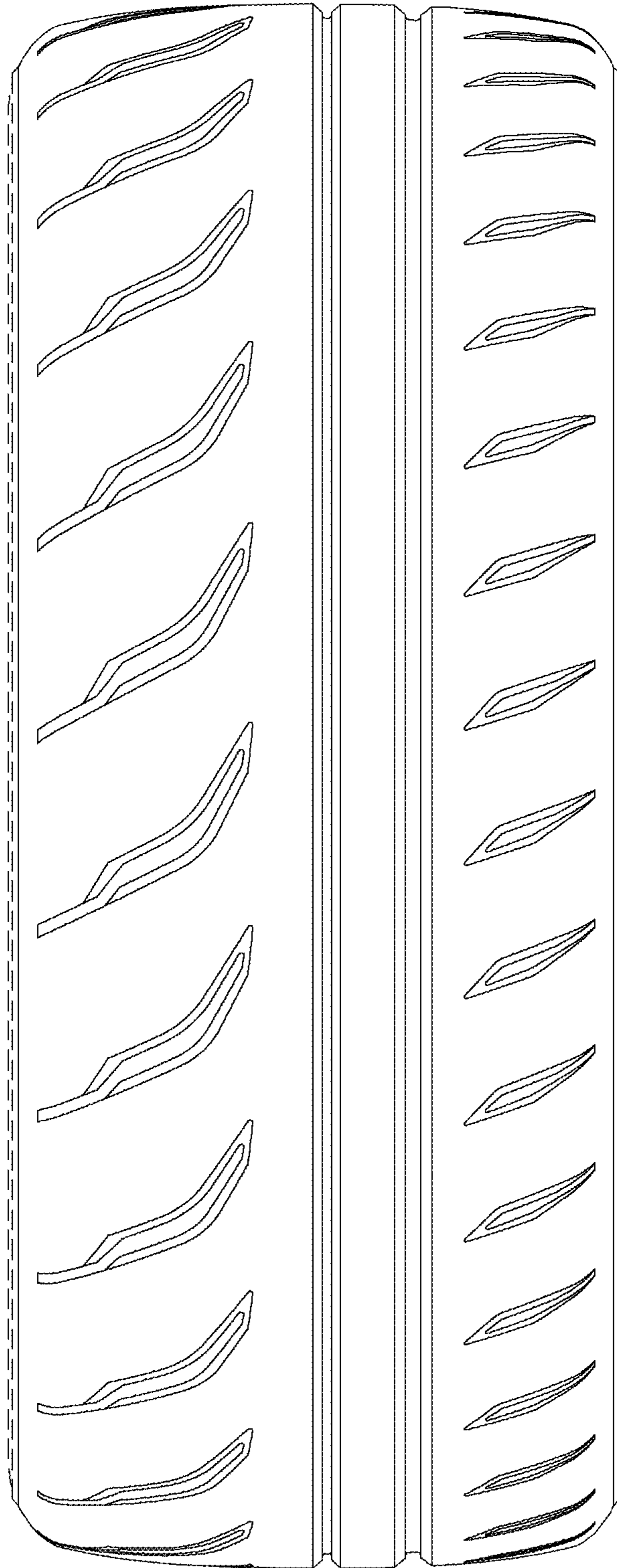


FIG. 3

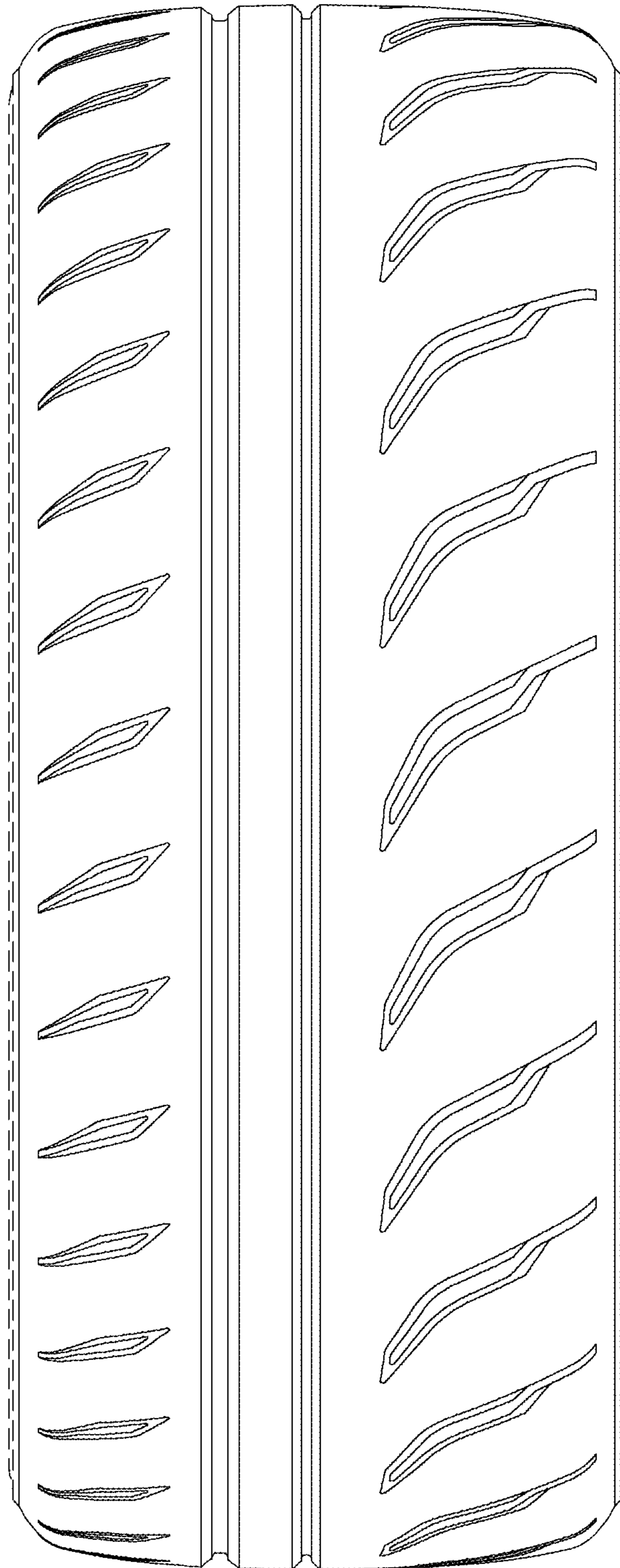


FIG. 4

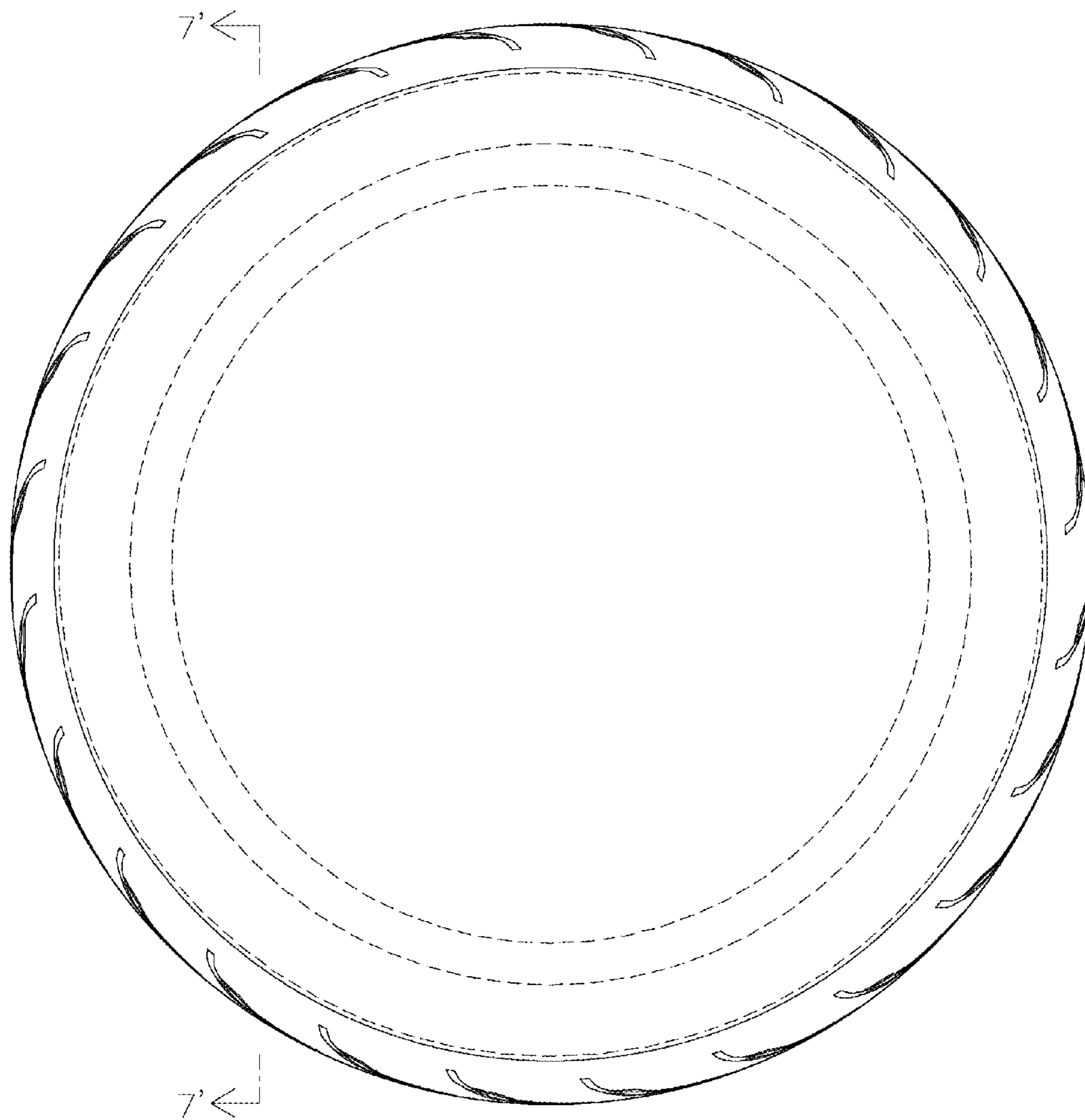


FIG. 5

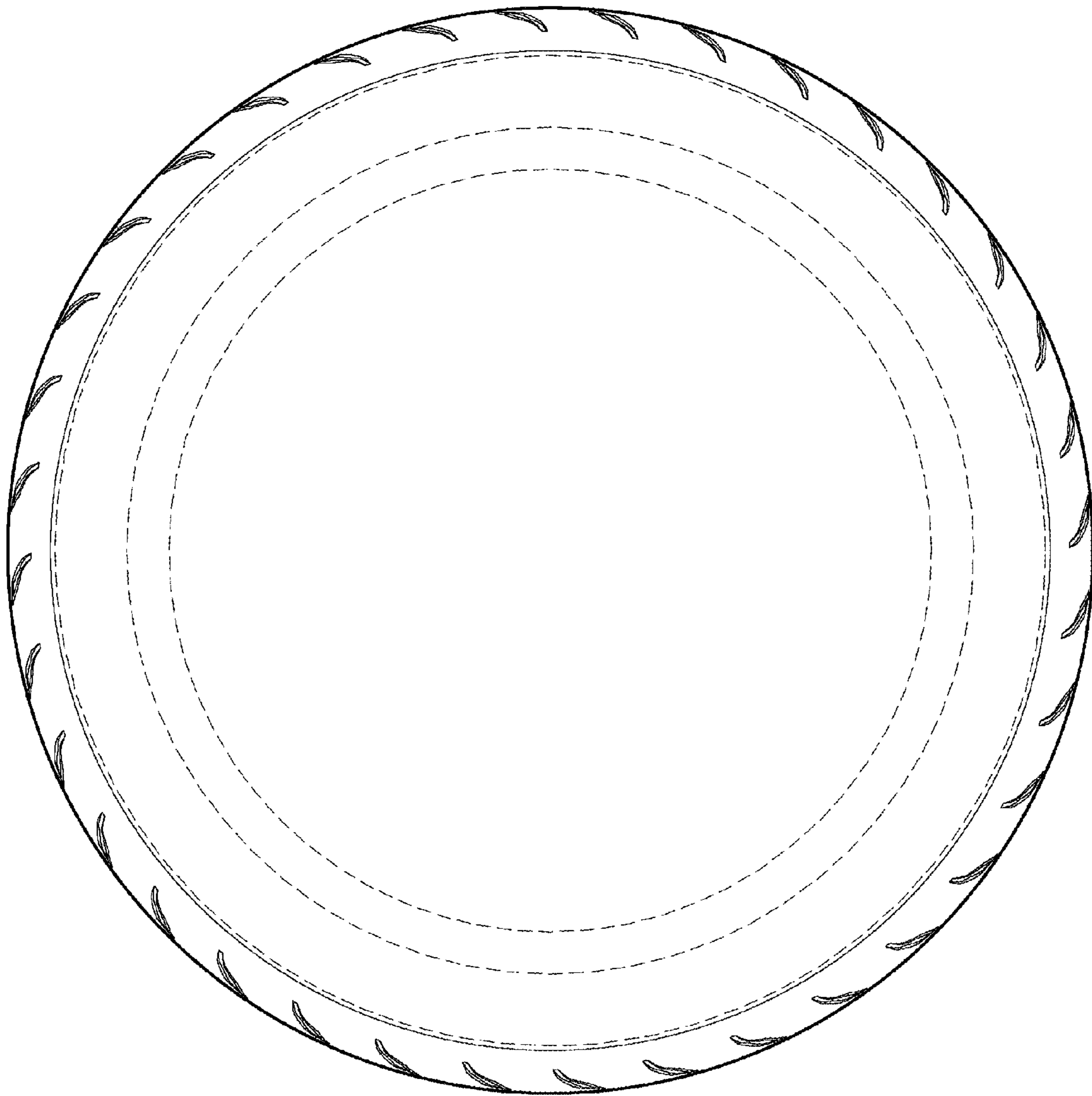


FIG. 6

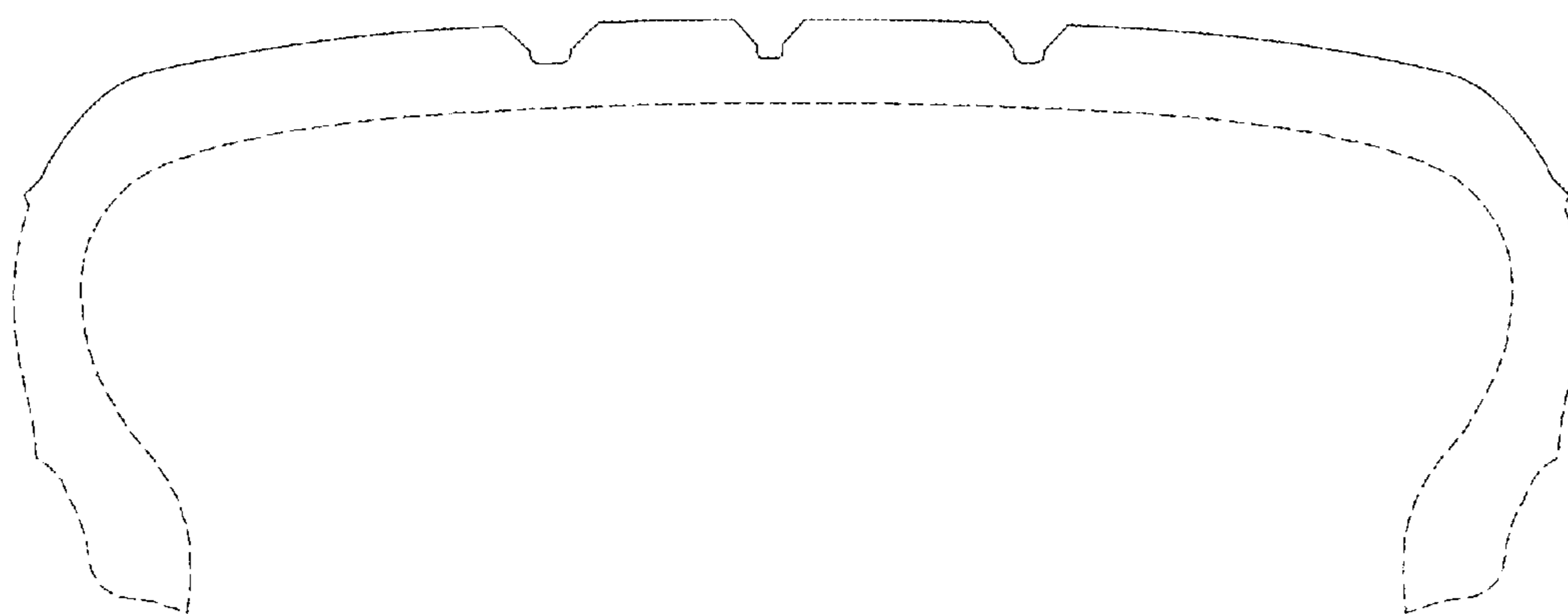


FIG. 7

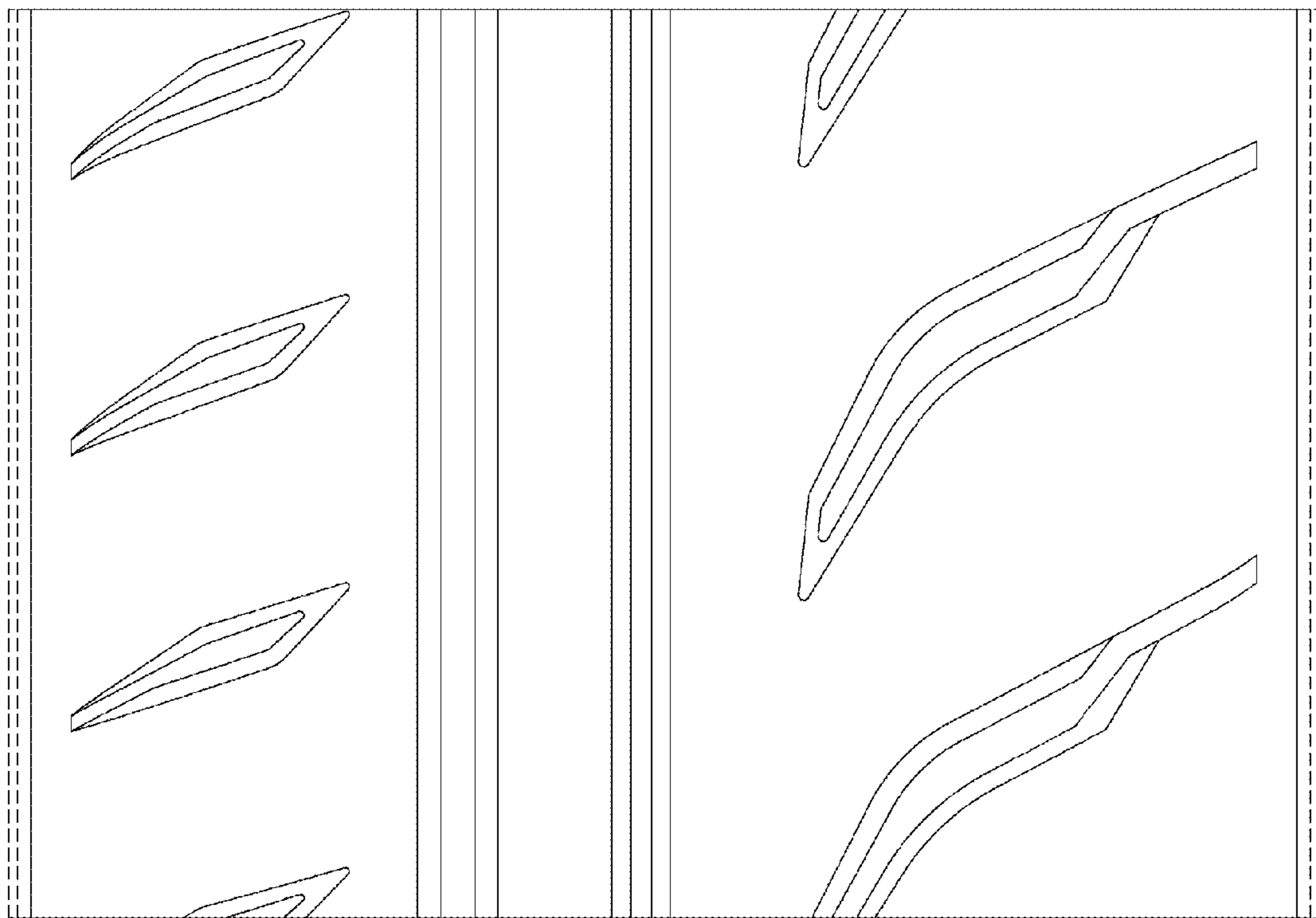


FIG. 8