



US00D759574S

(12) **United States Design Patent**  
**Kasparian et al.**

(10) **Patent No.:** **US D759,574 S**  
(45) **Date of Patent:** **\*\* Jun. 21, 2016**

(54) **PORTION OF A COCKPIT CENTER CONSOLE**

(71) Applicant: **Gulfstream Aerospace Corporation**, Savannah, GA (US)

(72) Inventors: **Aram Kasparian**, Savannah, GA (US); **Andrew Fulford**, Northville, MI (US)

(73) Assignee: **Gulfstream Aerospace Corporation**, Savannah, GA (US)

(\*\*) Term: **14 Years**

(21) Appl. No.: **29/506,254**

(22) Filed: **Oct. 14, 2014**

(51) **LOC (10) Cl.** ..... **12-16**

(52) **U.S. Cl.**  
USPC ..... **D12/415**

(58) **Field of Classification Search**  
USPC ..... D12/415, 416, 417, 418, 419, 420, 400, D12/191, 106, 195, 345, 96, 99, 246  
CPC ..... B60R 7/08; B60R 7/04  
See application file for complete search history.

(56) **References Cited**

**U.S. PATENT DOCUMENTS**

D212,727 S	11/1968	Shimano et al.	
D213,747 S	4/1969	Ross et al.	
D265,817 S	8/1982	Hahn	
D314,544 S	2/1991	Kuo	
D318,836 S	8/1991	Hsu	
D501,811 S	2/2005	Fukuda et al.	
D553,554 S *	10/2007	Figueiredo	D12/415
D556,107 S *	11/2007	Figueiredo	D12/192
D575,212 S *	8/2008	Tsay	D12/192
D589,870 S	4/2009	Saint-Jalmes et al.	
D592,126 S *	5/2009	da Silveira	D12/345
D630,142 S *	1/2011	da Silveira	D12/192
D632,639 S *	2/2011	Rosenbohm	D12/415

D640,180 S	6/2011	Money Penny et al.	
D641,674 S	7/2011	Kim et al.	
D682,771 S *	5/2013	Amante	D12/192
D725,579 S *	3/2015	Becouarn	D12/192
D730,805 S	6/2015	Tran et al.	
D742,300 S *	11/2015	Fontaeus	D12/415
2012/0085870 A1	4/2012	Coote et al.	

**OTHER PUBLICATIONS**

USPTO, Office Action in Design U.S. Appl. No. 29/506,126 mailed Oct. 7, 2015.

\* cited by examiner

*Primary Examiner* — Katrina A Betton

(74) *Attorney, Agent, or Firm* — Ingrassia, Fisher & Lorenz PC

(57) **CLAIM**

The ornamental design for a portion of a cockpit center console, as shown and described.

**DESCRIPTION**

The patent or application file contains a least one drawing executed in color. Copies of this patent or patent application publication with color drawing(s) will be provided by the Office upon request and payment of the necessary fee.

FIG. 1 is a front perspective view of a portion of a cockpit center console showing our new design;

FIG. 2 is a front view thereof, the back view forming no part of the claimed design;

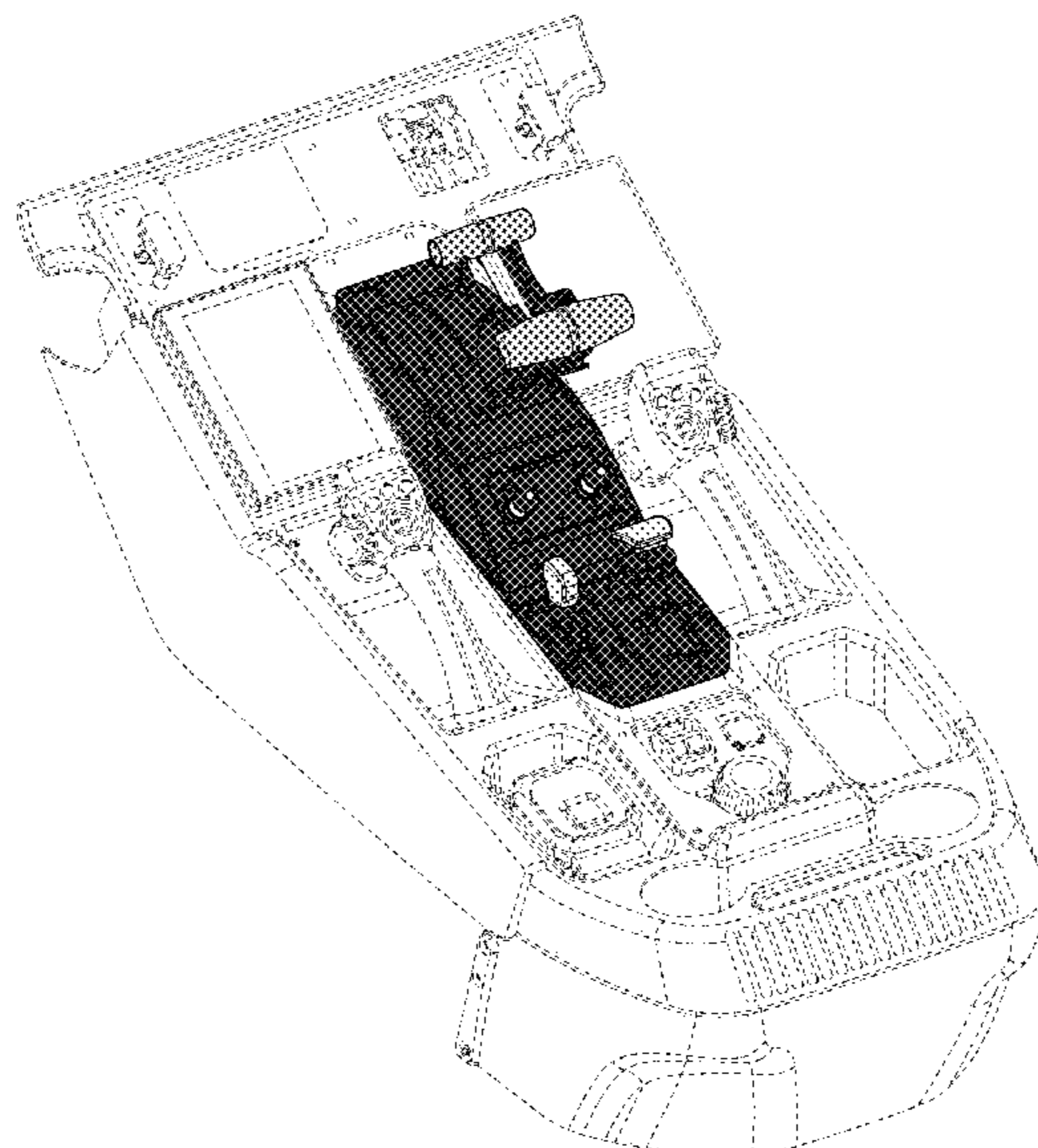
FIG. 3 is a top view thereof, the bottom view forming no part of the claimed design;

FIG. 4 is a first side view thereof; and,

FIG. 5 is a second side view thereof.

In the drawings, the broken lines in the figures depict portions of the article that form no part of the claimed design.

**1 Claim, 5 Drawing Sheets**  
**(5 of 5 Drawing Sheet(s) Filed in Color)**



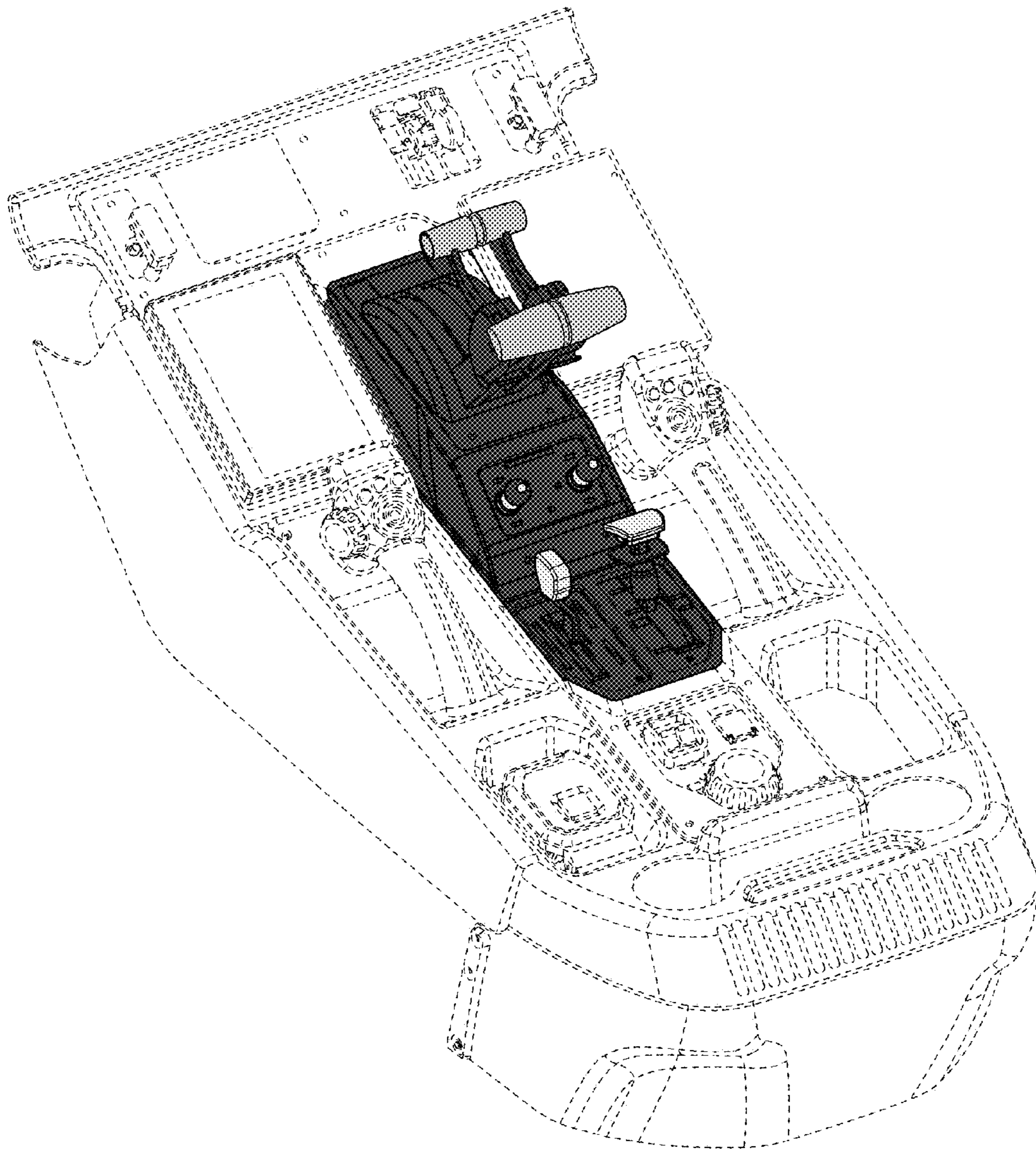


FIG. 1

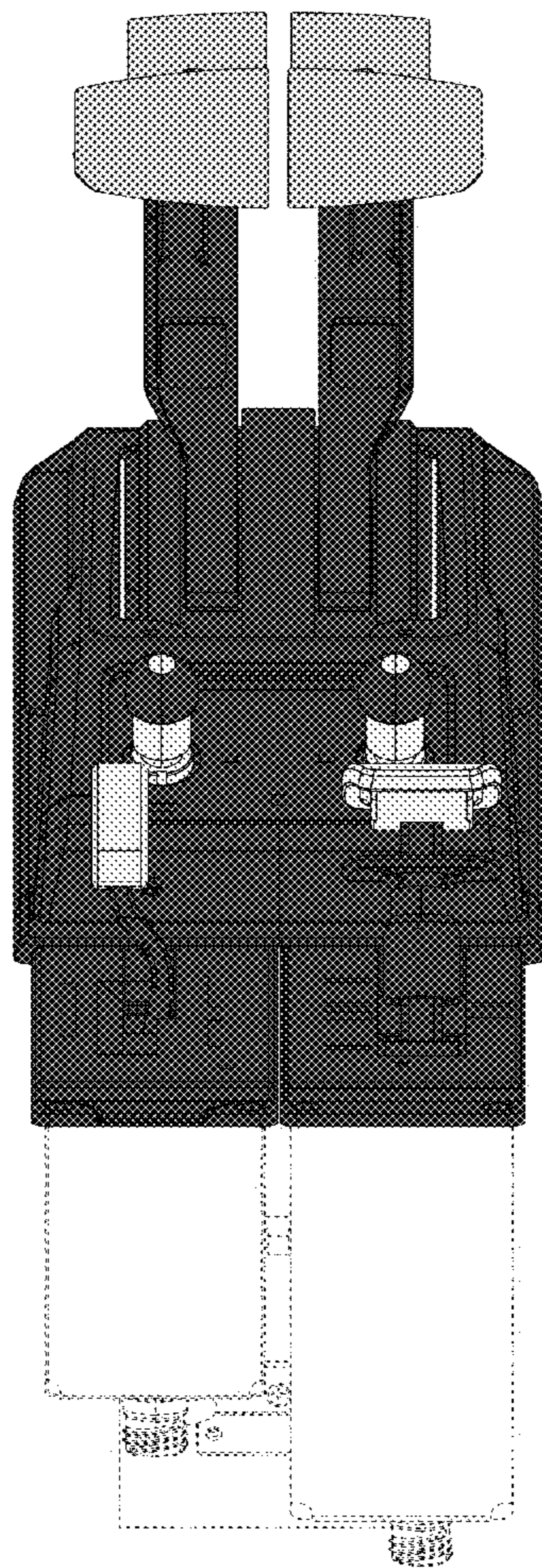


FIG. 2

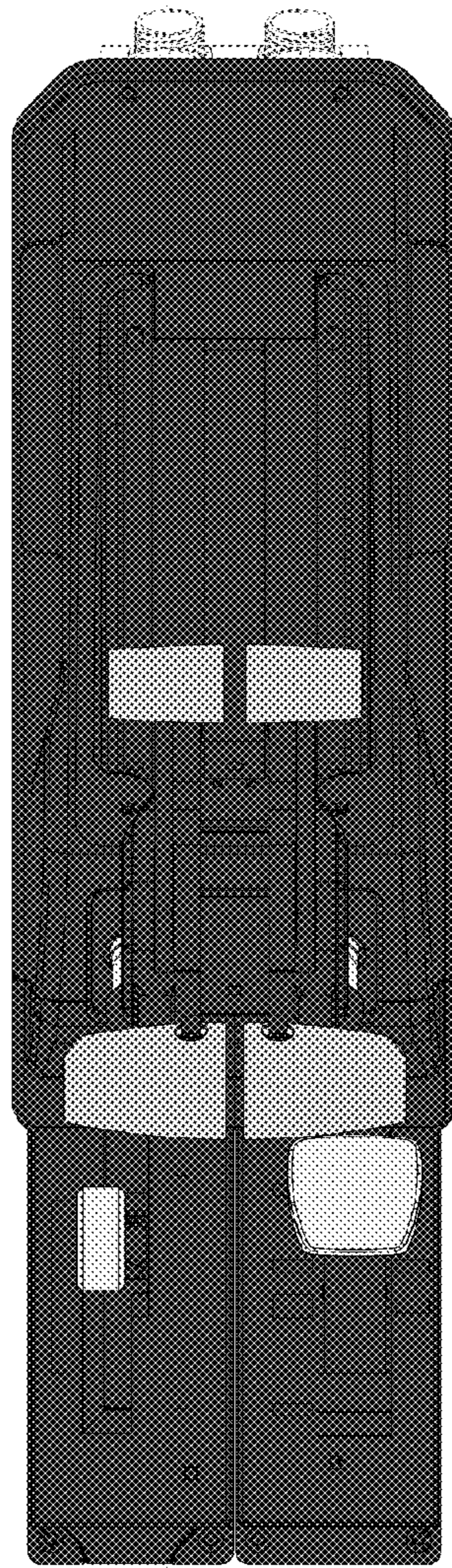


FIG. 3

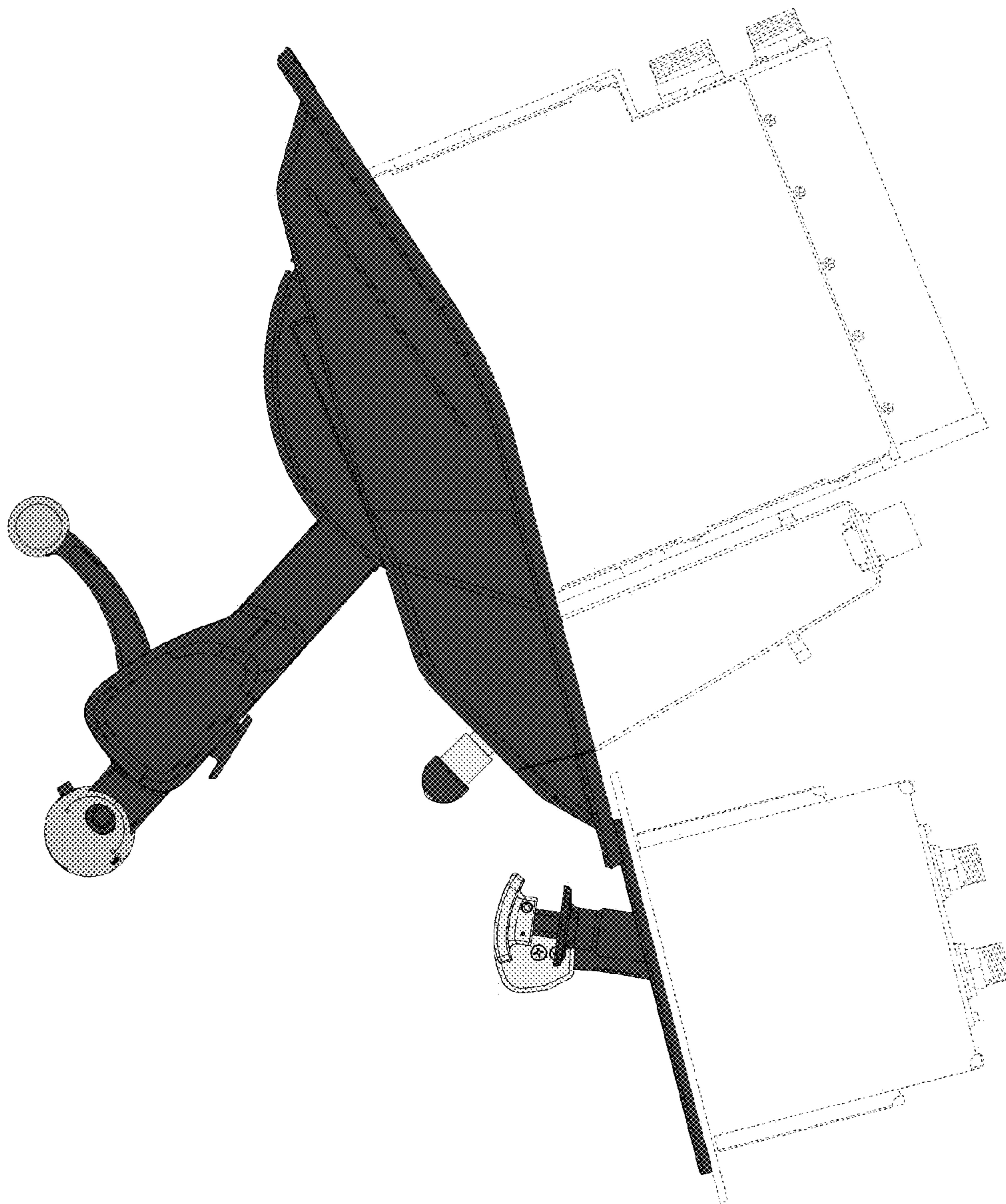


FIG. 4

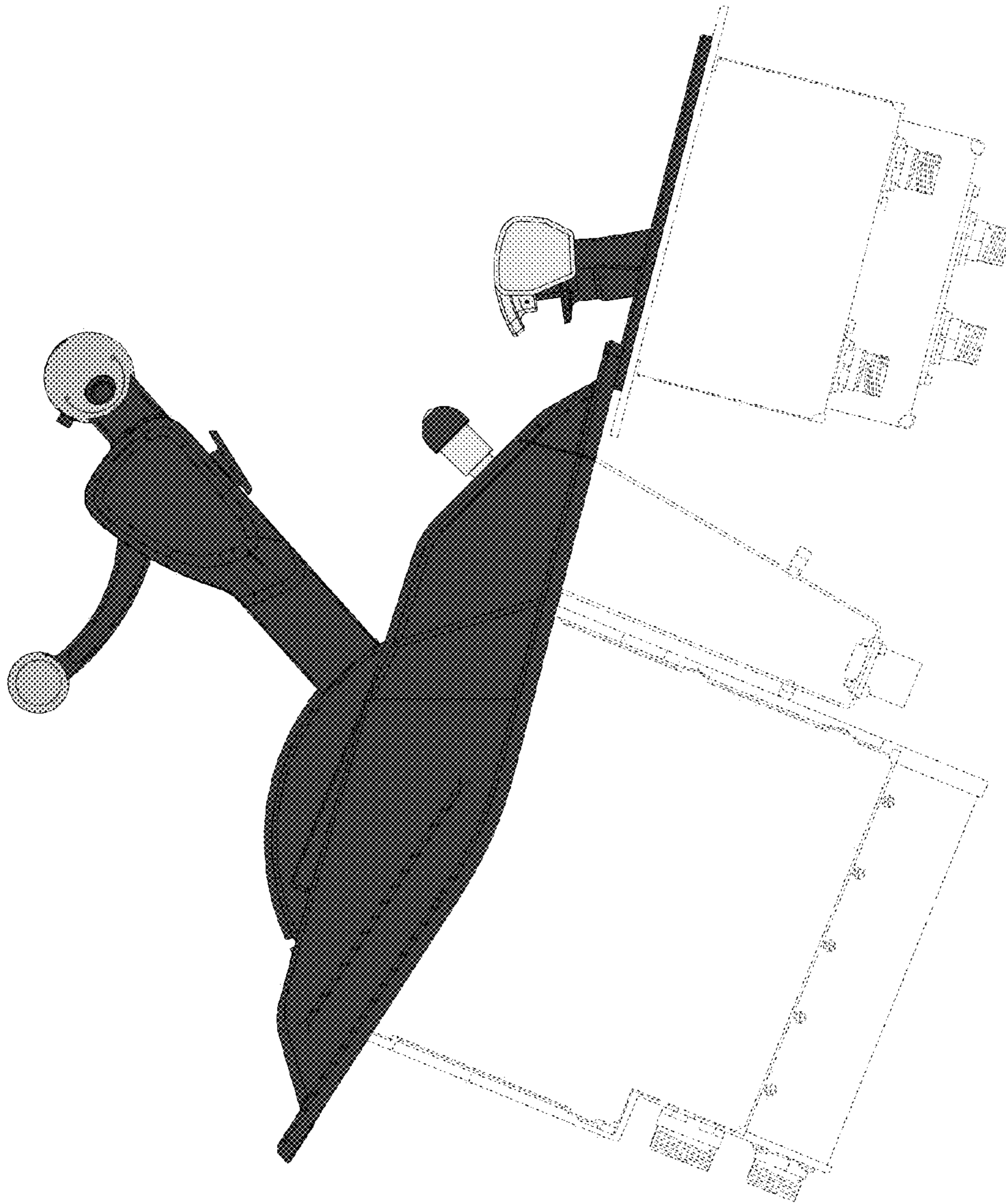


FIG. 5