



US00D759573S

(12) **United States Design Patent**  
**Pascu**

(10) **Patent No.:** **US D759,573 S**  
(45) **Date of Patent:** **\*\* Jun. 21, 2016**

(54) **LOAD RESTRAINT LOCATOR**

(71) Applicant: **Snake Products Pty Ltd**, Scarborough  
WA (AU)

(72) Inventor: **Lee C J Pascu**, Scarborough (AU)

(73) Assignee: **Snake Products Pty Ltd**, Scarborough  
WA (AU)

(\*\*) Term: **14 Years**

(21) Appl. No.: **29/515,355**

(22) Filed: **Jan. 22, 2015**

(30) **Foreign Application Priority Data**

Jul. 23, 2014 (AU) ..... 13598/2014

(51) **LOC (10) Cl.** ..... **12-99**

(52) **U.S. Cl.**  
USPC ..... **D12/414.1**

(58) **Field of Classification Search**  
USPC ..... D10/46; D12/406, 414, 414.1; D34/28,  
D34/35

CPC ..... B60P 7/06; B60P 7/065; B60P 7/08;  
B61D 45/00; B65D 71/04; B25J 1/04

See application file for complete search history.

(56) **References Cited**

U.S. PATENT DOCUMENTS

3,405,660 A \* 10/1968 Jantzen ..... B60P 7/08  
410/104  
4,144,821 A \* 3/1979 Lang ..... B64D 9/003  
410/79  
6,006,908 A \* 12/1999 Jackson ..... B60P 7/0869  
206/388

FOREIGN PATENT DOCUMENTS

WO WO 2016/011497 1/2016 ..... B60P 7/08

\* cited by examiner

*Primary Examiner* — Antoine D Davis

(74) *Attorney, Agent, or Firm* — Kusner & Jaffe

(57) **CLAIM**

The ornamental design for a load restraint locator, as shown.

**DESCRIPTION**

FIG. 1 is a top perspective view of a load restraint locator showing my new design;

FIG. 2 is a bottom perspective view thereof;

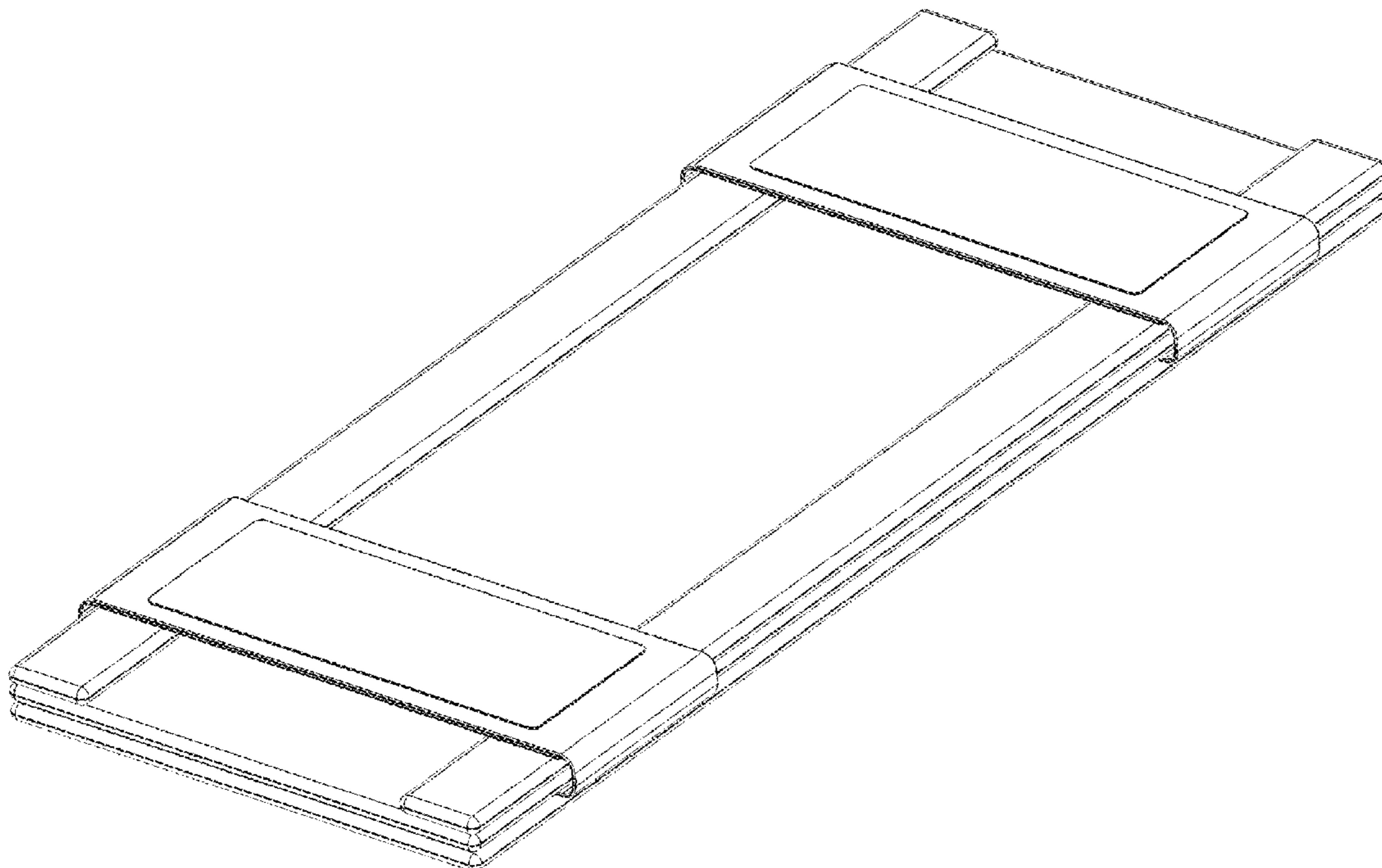
FIG. 3 is a top plan view thereof;

FIG. 4 is a bottom plan view thereof;

FIG. 5 is a right side plan view thereof, the left side being identical; and,

FIG. 6 is a front plan view thereof, the rear being identical.

**1 Claim, 6 Drawing Sheets**



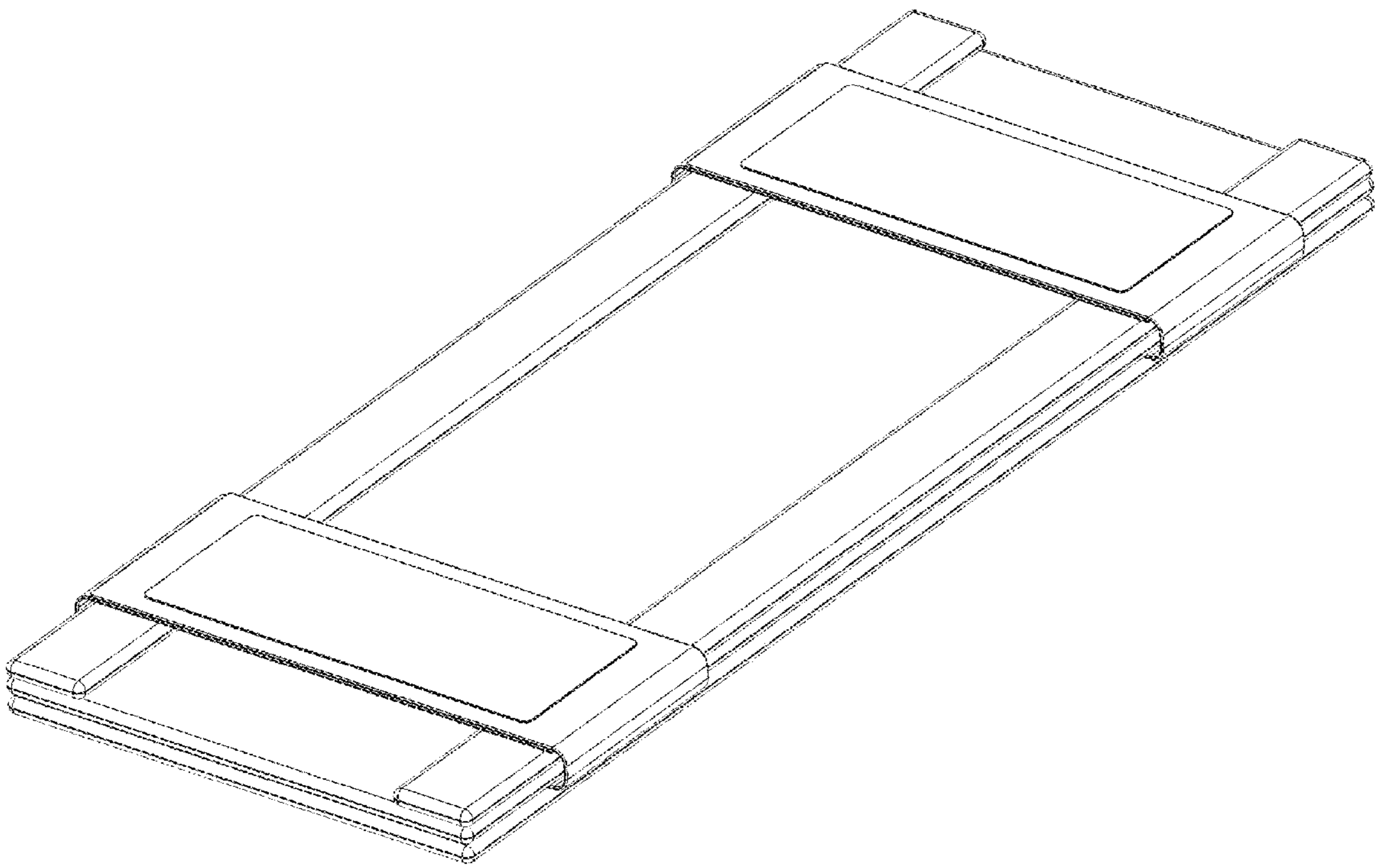


FIG. 1

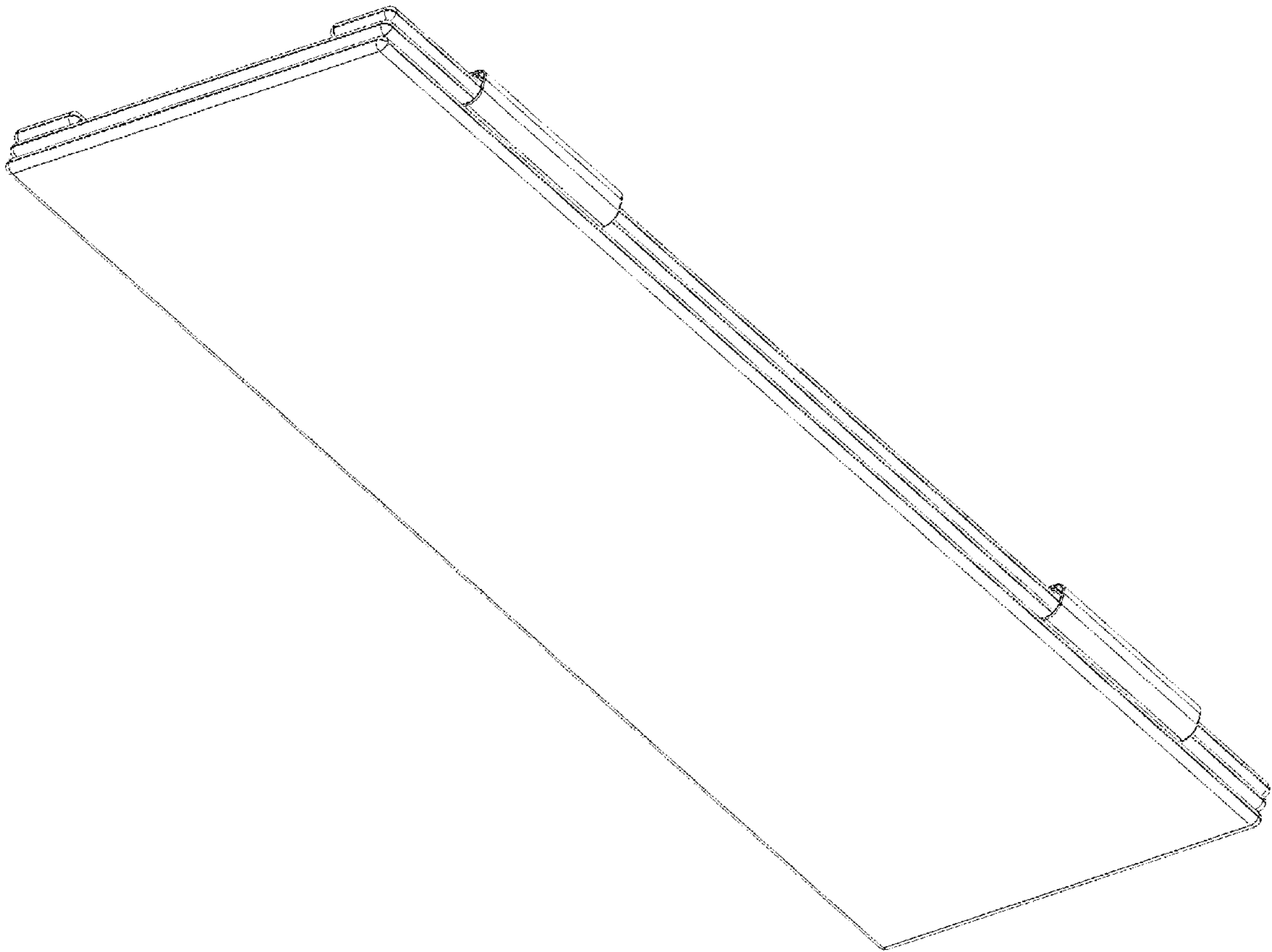


FIG. 2

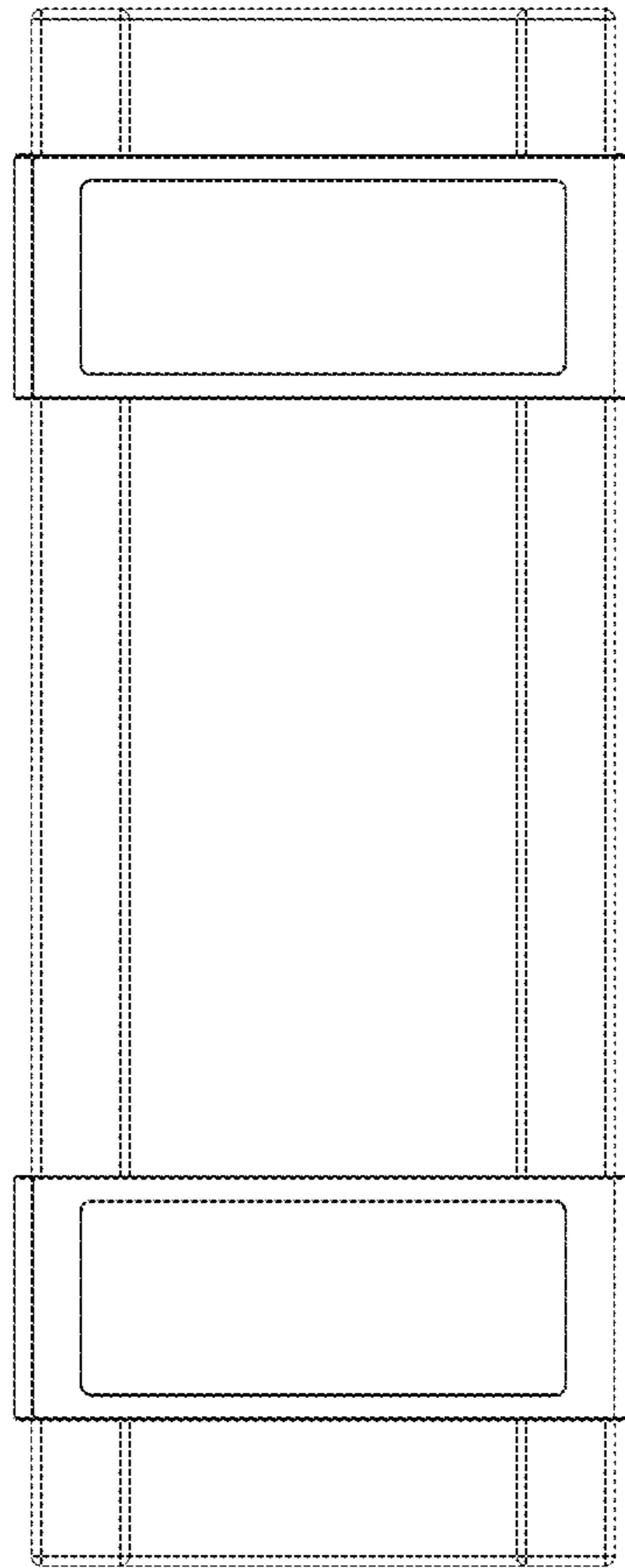


FIG. 3

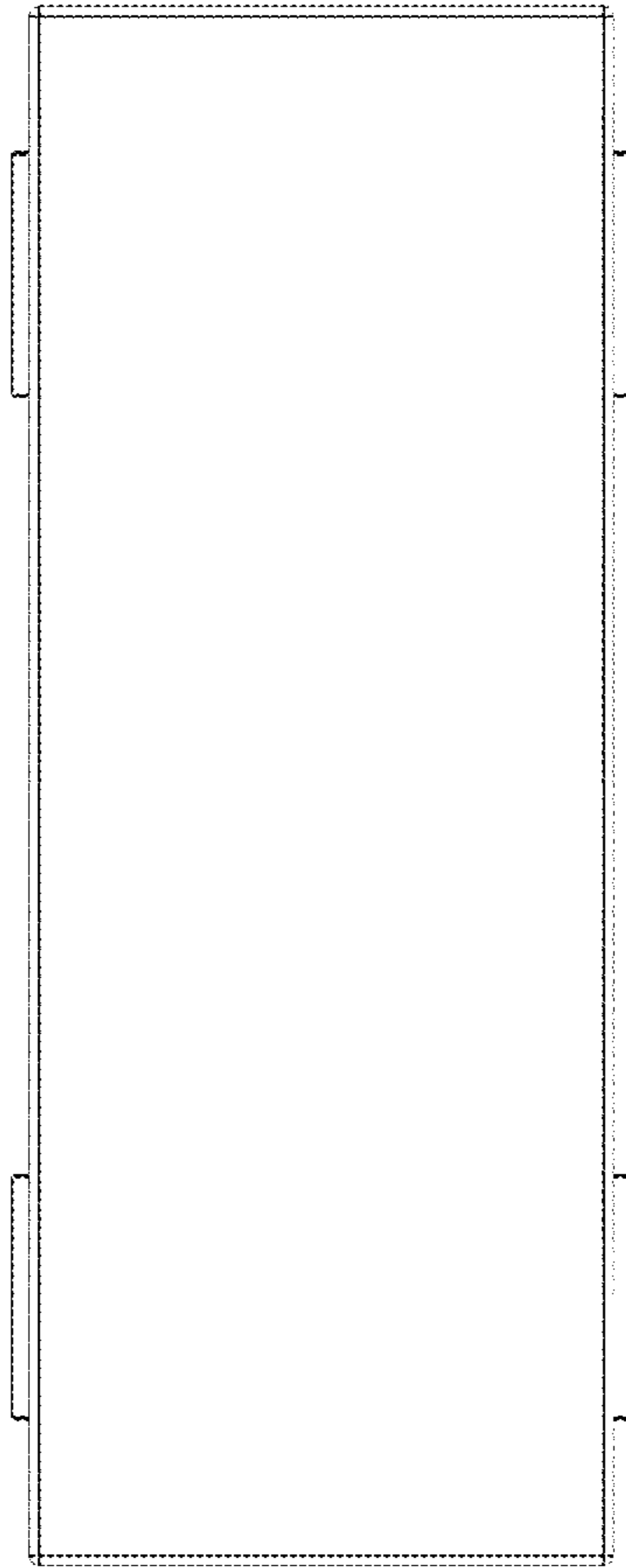


FIG. 4

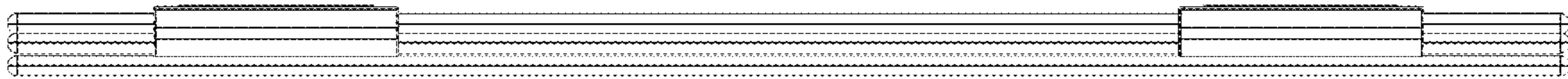


FIG. 5

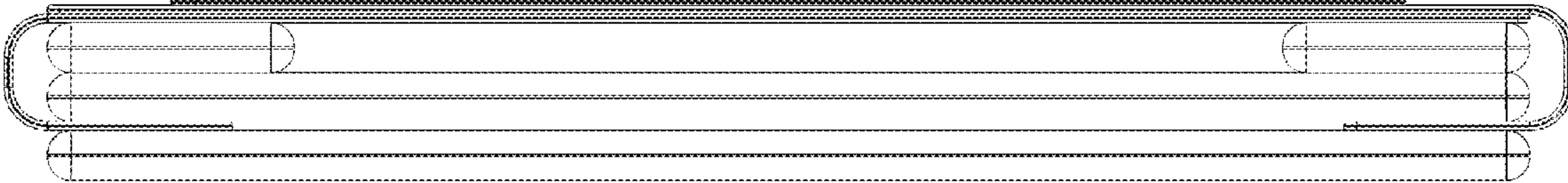


FIG. 6