



US00D759571S

(12) **United States Design Patent**
Eriksson et al.

(10) **Patent No.:** **US D759,571 S**
(45) **Date of Patent:** **** Jun. 21, 2016**

(54) **FORK MOUNT BICYCLE CARRIER**

(71) Applicant: **Thule Sweden AB**, Hillerstorp (SE)

(72) Inventors: **Henrik Eriksson**, Jonkoping (SE);
Joseph John Settlemayer,
McKinleyville, CA (US)

(73) Assignee: **Thule Sweden AB**, Hillerstorp (SE)

(**) Term: **14 Years**

(21) Appl. No.: **29/498,565**

(22) Filed: **Aug. 5, 2014**

(51) **LOC (10) Cl.** **12-16**

(52) **U.S. Cl.**
USPC **D12/408**

(58) **Field of Classification Search**
USPC D12/111, 406, 407, 408, 412, 414;
224/42.11, 314, 331, 329, 400, 412,
224/419, 442.12, 451, 461, 488, 489, 495,
224/497, 499, 500, 502, 504, 511-537,
224/924; 280/202, 304.05; 296/37.1
CPC B60R 9/06; B60R 9/10; B60R 9/045;
B60R 9/048; B60R 11/00
See application file for complete search history.

7,726,528 B2 * 6/2010 Foley B60R 9/048
224/324

7,726,529 B2 * 6/2010 Foley B60R 9/048
211/20

7,757,914 B2 * 7/2010 Book B60R 9/048
224/324

D622,208 S * 8/2010 Sautter D12/408

D623,117 S * 9/2010 Farber D12/408

D635,086 S * 3/2011 Shen D12/408

8,196,789 B2 * 6/2012 Kraeuter B60R 9/048
224/315

8,281,625 B2 * 10/2012 Prescott B60R 9/048
211/5

D693,760 S * 11/2013 Weaver D12/408

D695,206 S * 12/2013 Eriksson D12/414

D701,163 S * 3/2014 Kuschmeader D12/408

D703,130 S * 4/2014 Settlemayer D12/408

D703,605 S * 4/2014 Sautter D12/408

2011/0290836 A1 * 12/2011 Shen B60R 9/045
224/319

* cited by examiner

Primary Examiner — Philip S Hyder
Assistant Examiner — Darlington Ly
(74) *Attorney, Agent, or Firm* — Sterne, Kessler, Goldstein
& Fox P.L.L.C.

(57) **CLAIM**
We claim the ornamental design for a fork mount bicycle carrier, as shown and described.

(56) **References Cited**

U.S. PATENT DOCUMENTS

5,598,959 A * 2/1997 Lorensen B60R 9/045
224/315

5,690,259 A * 11/1997 Montani B60R 9/10
224/310

6,494,351 B1 * 12/2002 Dean B60R 9/048
224/324

6,758,380 B1 * 7/2004 Kolda B60R 9/048
224/305

D561,680 S * 2/2008 Foley D12/408

D562,217 S * 2/2008 Davis D12/408

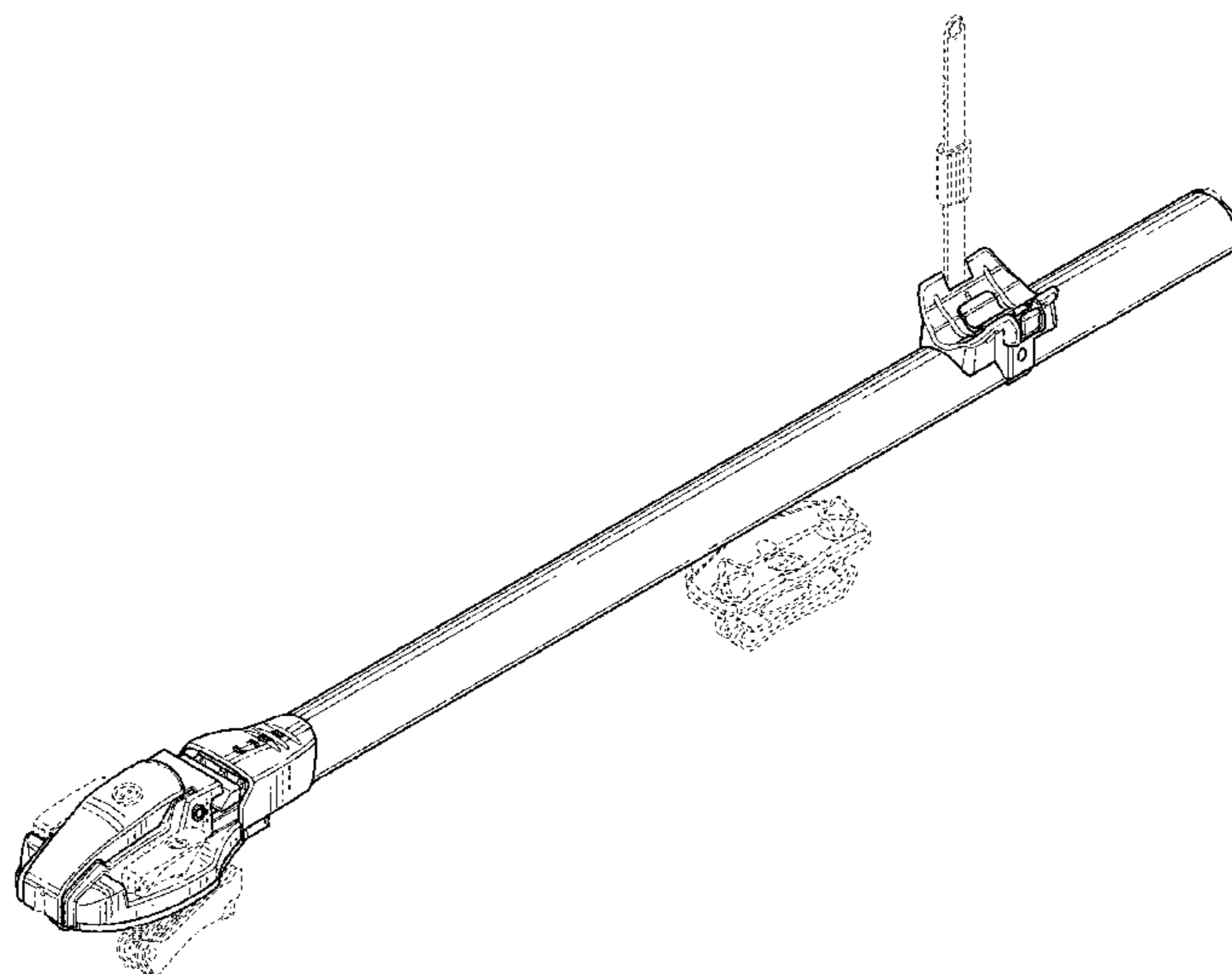
D562,218 S * 2/2008 Foley D12/408

D566,034 S * 4/2008 Davis D12/408

DESCRIPTION

FIG. 1 is a perspective view of a fork mount bicycle carrier;
FIG. 2 is a top plan view thereof;
FIG. 3 is a bottom plan view thereof;
FIG. 4 is a left side elevational view thereof;
FIG. 5 is a right side elevational view thereof;
FIG. 6 is a rear elevational view thereof; and,
FIG. 7 is a front elevational view thereof.
The broken lines in the Figures show portions of the fork
mount bicycle carrier that form no part of the claimed design.

1 Claim, 7 Drawing Sheets



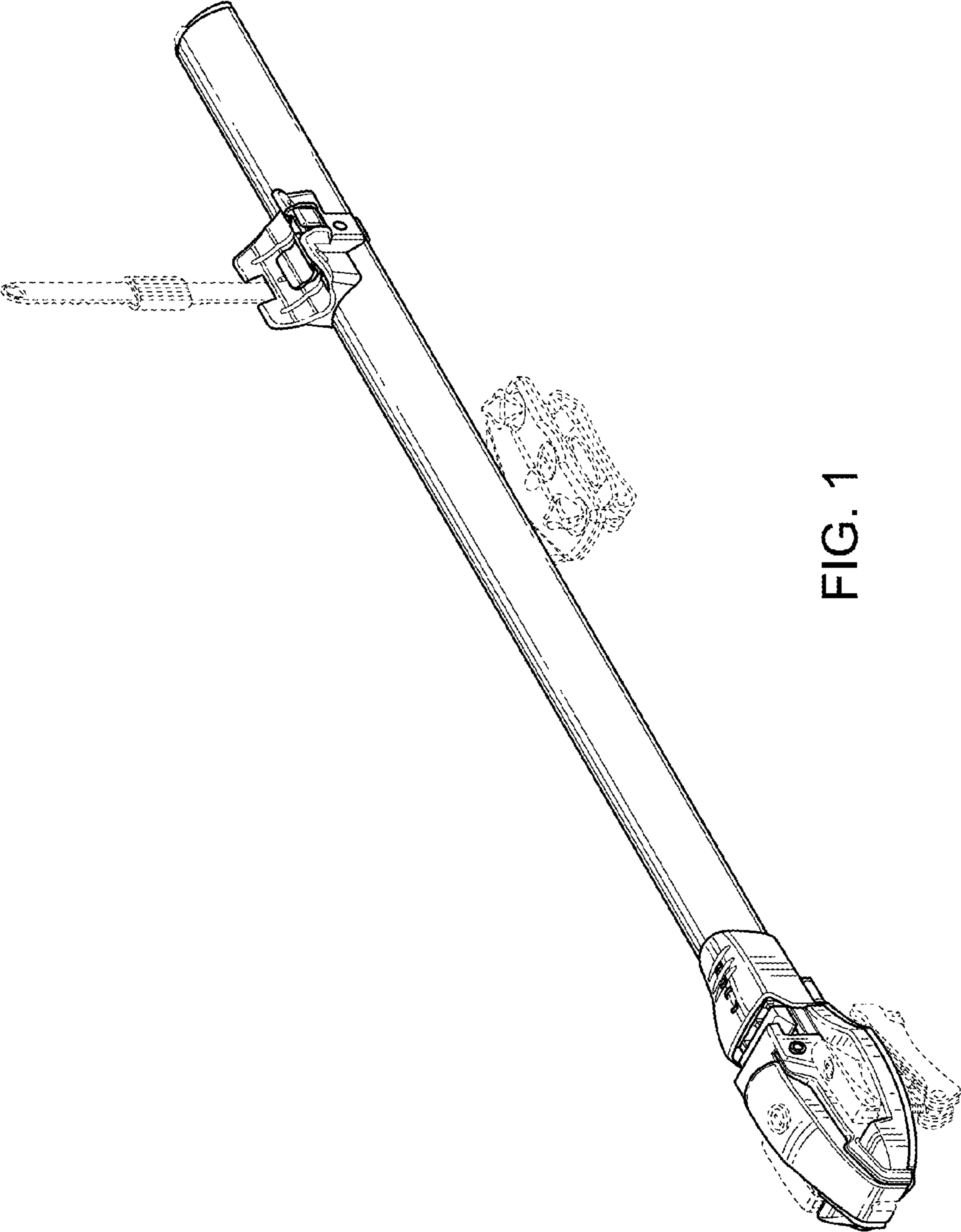


FIG. 1

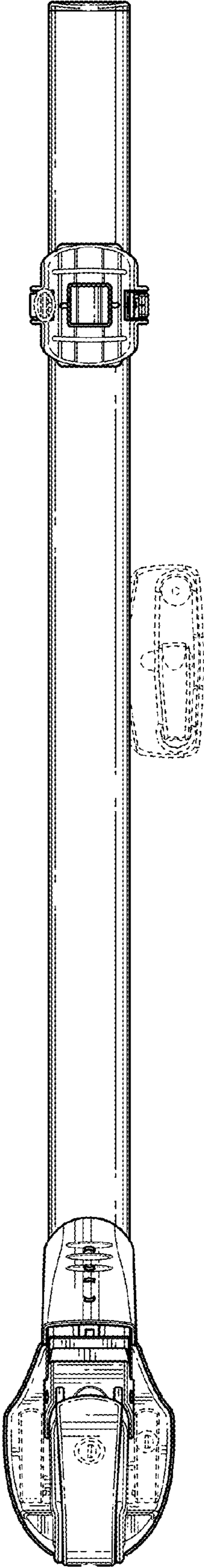


FIG. 2

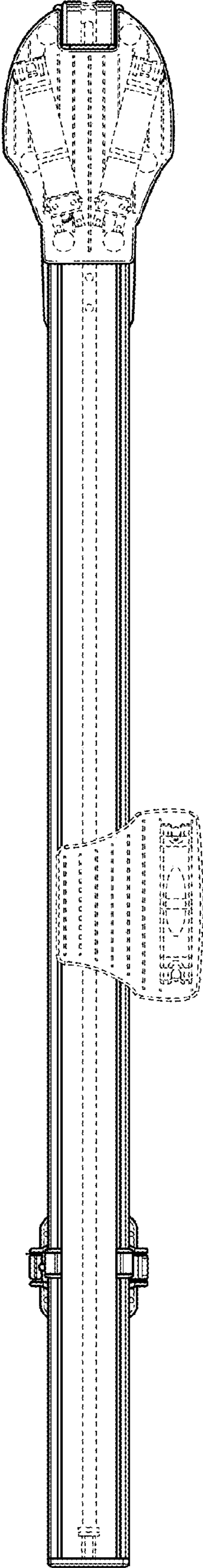


FIG. 3

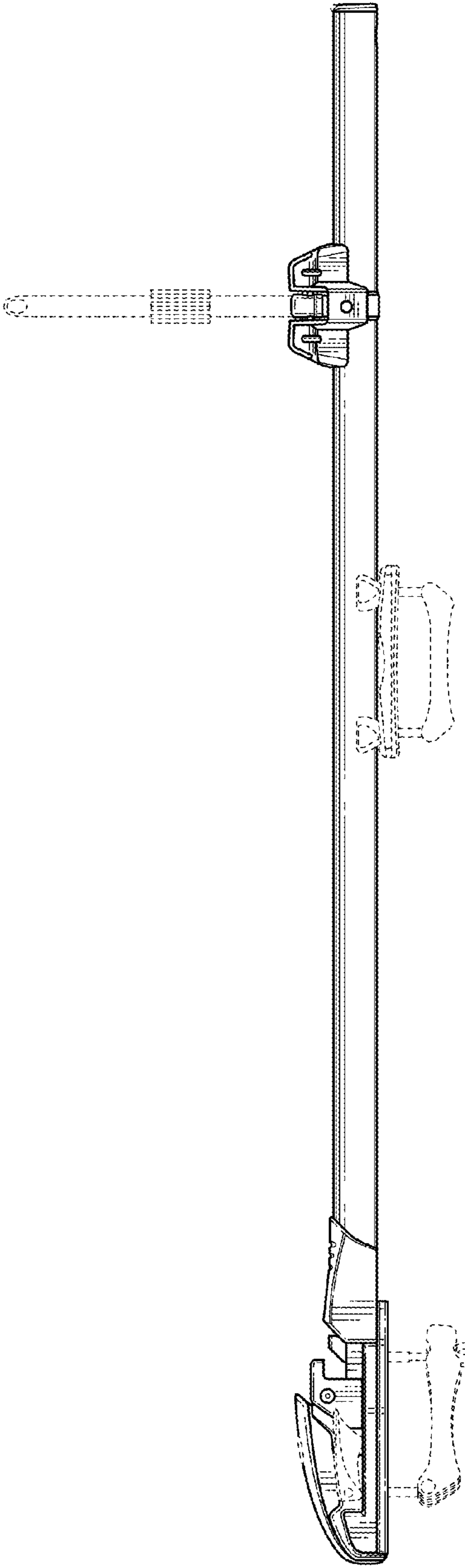


FIG. 4

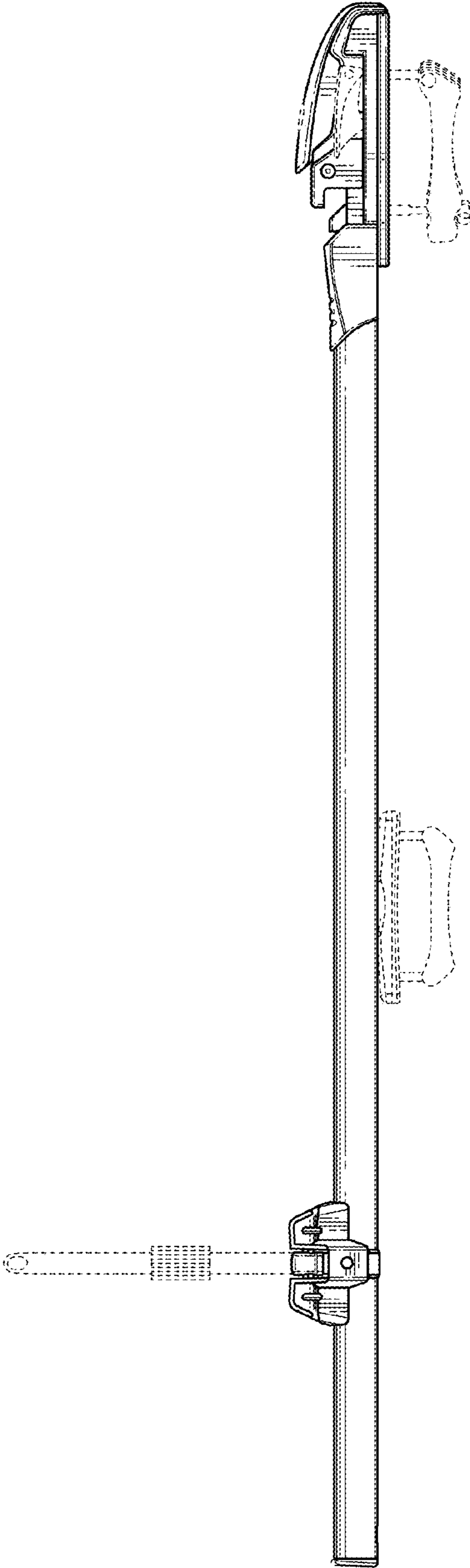


FIG. 5

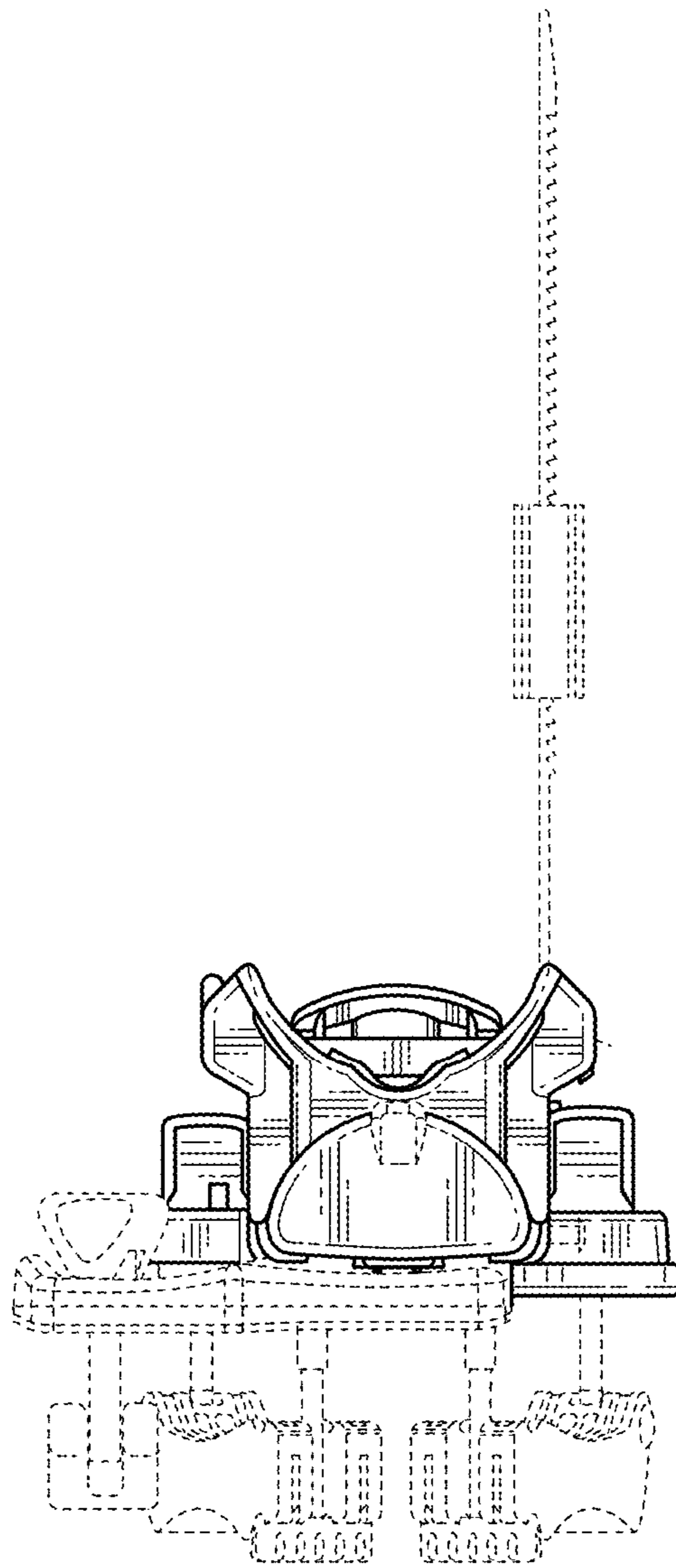


FIG. 6

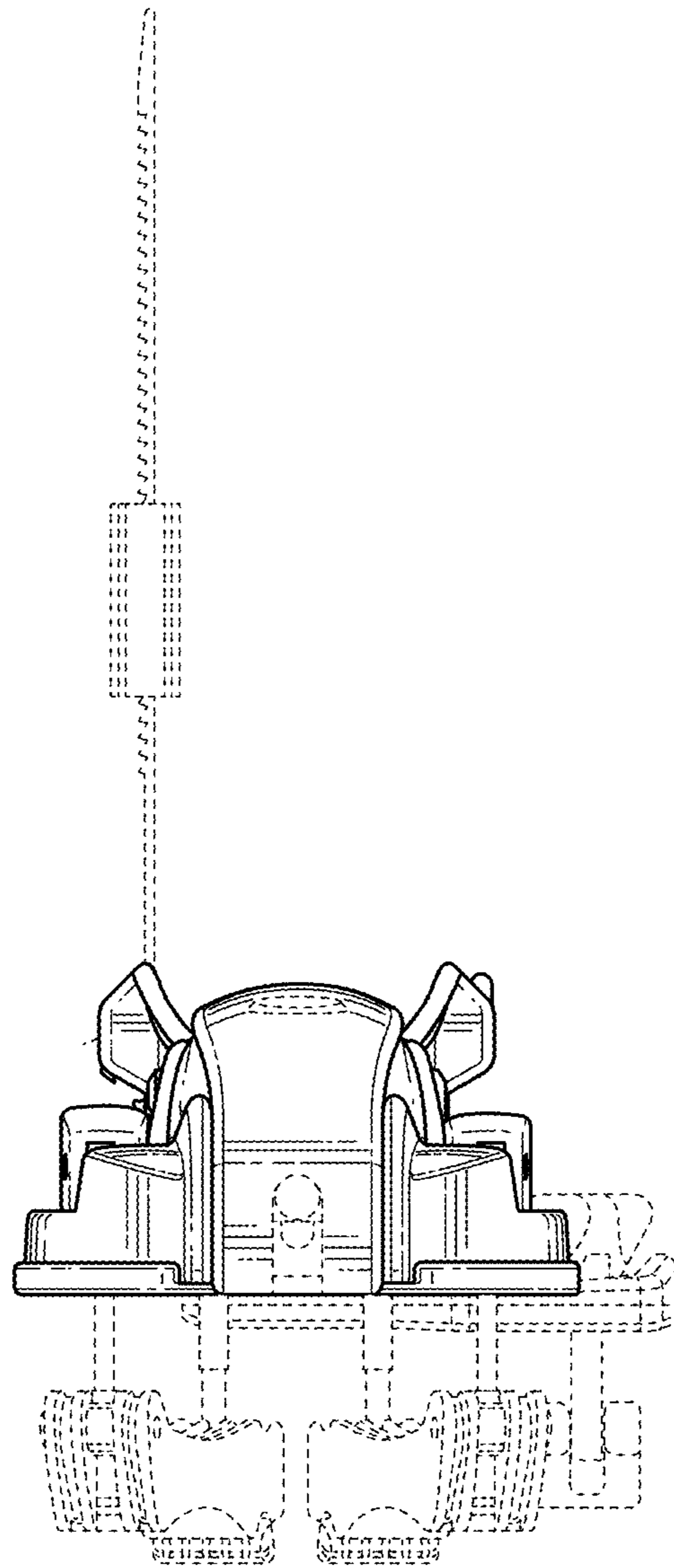


FIG. 7