



US00D759570S

(12) **United States Design Patent**  
**Pappas**

(10) **Patent No.:** **US D759,570 S**  
(45) **Date of Patent:** **\*\* Jun. 21, 2016**

(54) **TWO-SIDED HIGH DENSITY BICYCLE RACK**

- (71) Applicant: **Jeanette Pappas**, Rancho Mirage, CA (US)
- (72) Inventor: **Mark Pappas**, Rancho Mirage, CA (US)
- (73) Assignee: **Jeanette Pappas**, Rancho Mirage, CA (US)
- (\*\*) Term: **15 Years**
- (21) Appl. No.: **29/537,414**
- (22) Filed: **Aug. 25, 2015**

**Related U.S. Application Data**

- (63) Continuation-in-part of application No. 29/458,072, filed on Jun. 14, 2013, now Pat. No. Des. 737,196.
- (51) **LOC (10) Cl.** ..... **12-16**
- (52) **U.S. Cl.**  
USPC ..... **D12/407**
- (58) **Field of Classification Search**  
USPC ..... D12/408, 407, 406, 414.1, 420, 115;  
224/403, 520, 532, 324, 501, 518, 533,  
224/492, 493, 495, 500, 924, 497, 502, 510,  
224/321, 329, 503, 523, 537, 513, 519, 314,  
224/318, 325, 326, 509, 315, 319, 309, 514,  
224/499, 516, 571, 572, 504, 323, 322;  
24/68 CD, 301; 211/20, 17, 4, 22, 5, 21,  
211/198, 200; 248/164; 362/549; D8/356;  
D6/716.3; 16/324, 329; 340/432, 5.9,  
340/543, 568.1; 194/205, 247, 902;  
235/381, 382; 70/233, 57, 235  
CPC ..... B60R 9/10; B60R 9/06; B60R 9/048;  
B60R 9/045; B60R 9/08; B60R 9/12; B60R  
9/058; Y10S 224/924; Y10S 224/935; Y10S  
224/913; Y10S 224/917; Y10T 70/5872;  
Y10T 70/5009; B62H 3/12; B62H 3/00;  
B62H 3/04; B62H 3/08

See application file for complete search history.

(56) **References Cited**

U.S. PATENT DOCUMENTS

3,785,500	A	1/1974	Kennelly	
D327,666	S	7/1992	Carlson	
D391,902	S	3/1998	Pappas	
D391,903	S	3/1998	Pappas	
D409,134	S *	5/1999	Will	D12/407
5,917,407	A *	6/1999	Squire	B62H 3/00 194/205
D467,220	S *	12/2002	Walstrom	D12/408
D497,873	S	11/2004	Graber	
D514,034	S *	1/2006	Richardson	D12/115
D543,906	S	6/2007	Hoadley et al.	
D602,403	S	10/2009	Shaha et al.	
D604,207	S	11/2009	Selzer et al.	
7,857,177	B2 *	12/2010	Reeves	B60P 3/077 224/403
D632,616	S *	2/2011	Lohr	D12/115
D666,537	S	9/2012	Hoadley et al.	
D678,131	S	3/2013	Hoadley et al.	
D737,196	S	8/2015	Pappas	
2003/0209582	A1 *	11/2003	Reeves	B60R 9/06 224/499

(Continued)

*Primary Examiner* — Robert M Spear

*Assistant Examiner* — Ryan Harvey

(74) *Attorney, Agent, or Firm* — Thomas M. Freiburger

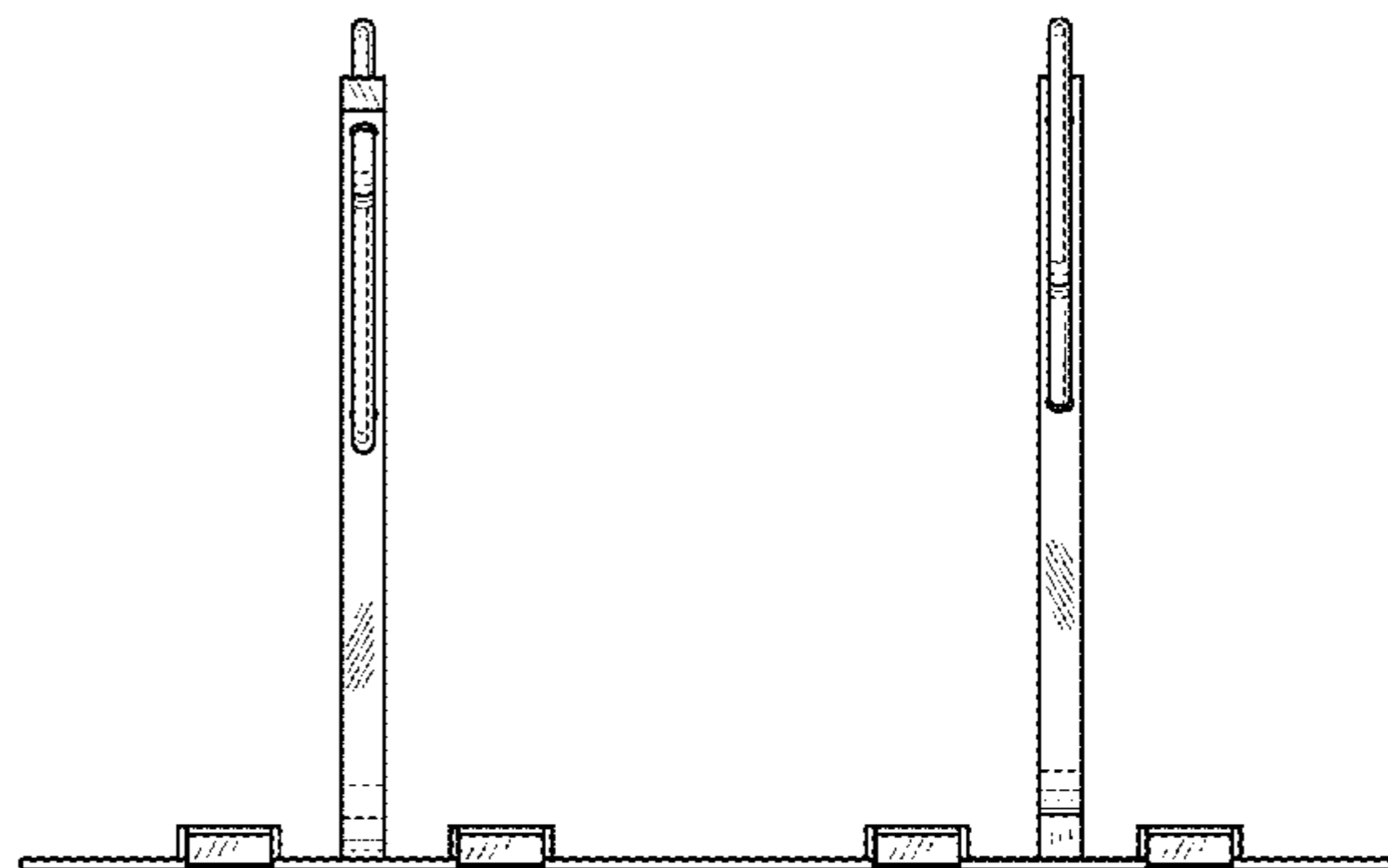
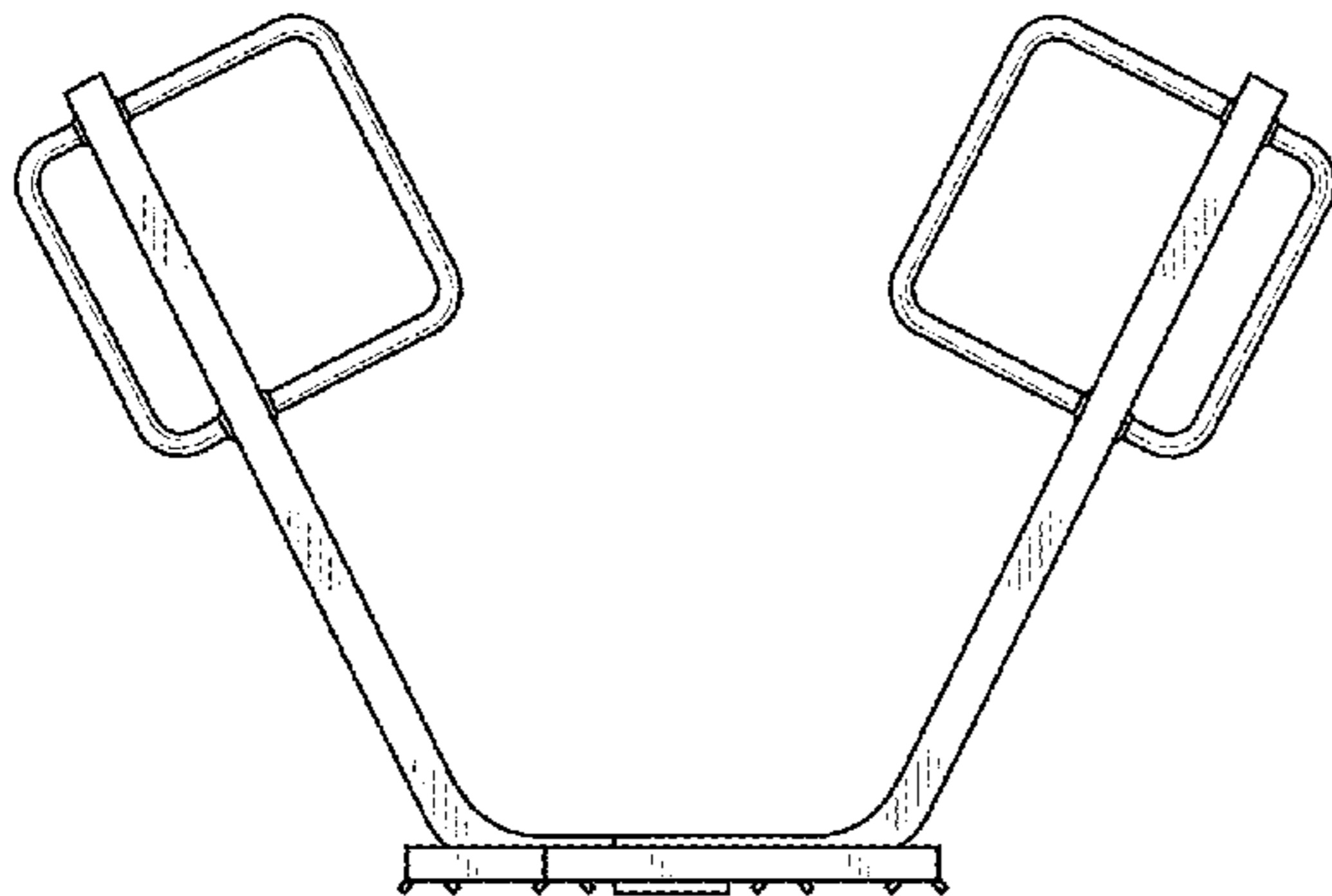
(57) **CLAIM**

The ornamental design for a two-sided high density bicycle rack, substantially as shown and described.

**DESCRIPTION**

FIG. 1 is a top plan view thereof;  
FIG. 2 is a bottom plan view thereof;  
FIG. 3 is a left side view thereof;  
FIG. 4 is a right side view thereof;  
FIG. 5 is a front elevation view thereof; and,  
FIG. 6 is a back elevation view thereof.

**1 Claim, 3 Drawing Sheets**



# US D759,570 S

Page 2

---

(56)

## References Cited

### U.S. PATENT DOCUMENTS

2004/0251219	A1	12/2004	Zimmerman				
2006/0060622	A1*	3/2006	Prenger .....	B60R 9/10			
				224/502			
2006/0266717	A1*	11/2006	Tsai .....	B62H 3/00			
				211/17			
2013/0175308	A1*	7/2013	Sautter .....	B60R 9/045			
				224/324			
2013/0264297	A1	10/2013	Long				
2014/0083960	A1*	3/2014	Weeks .....	B62H 3/08			
				211/20			
2014/0183237	A1	7/2014	Wolfe et al.				

\* cited by examiner

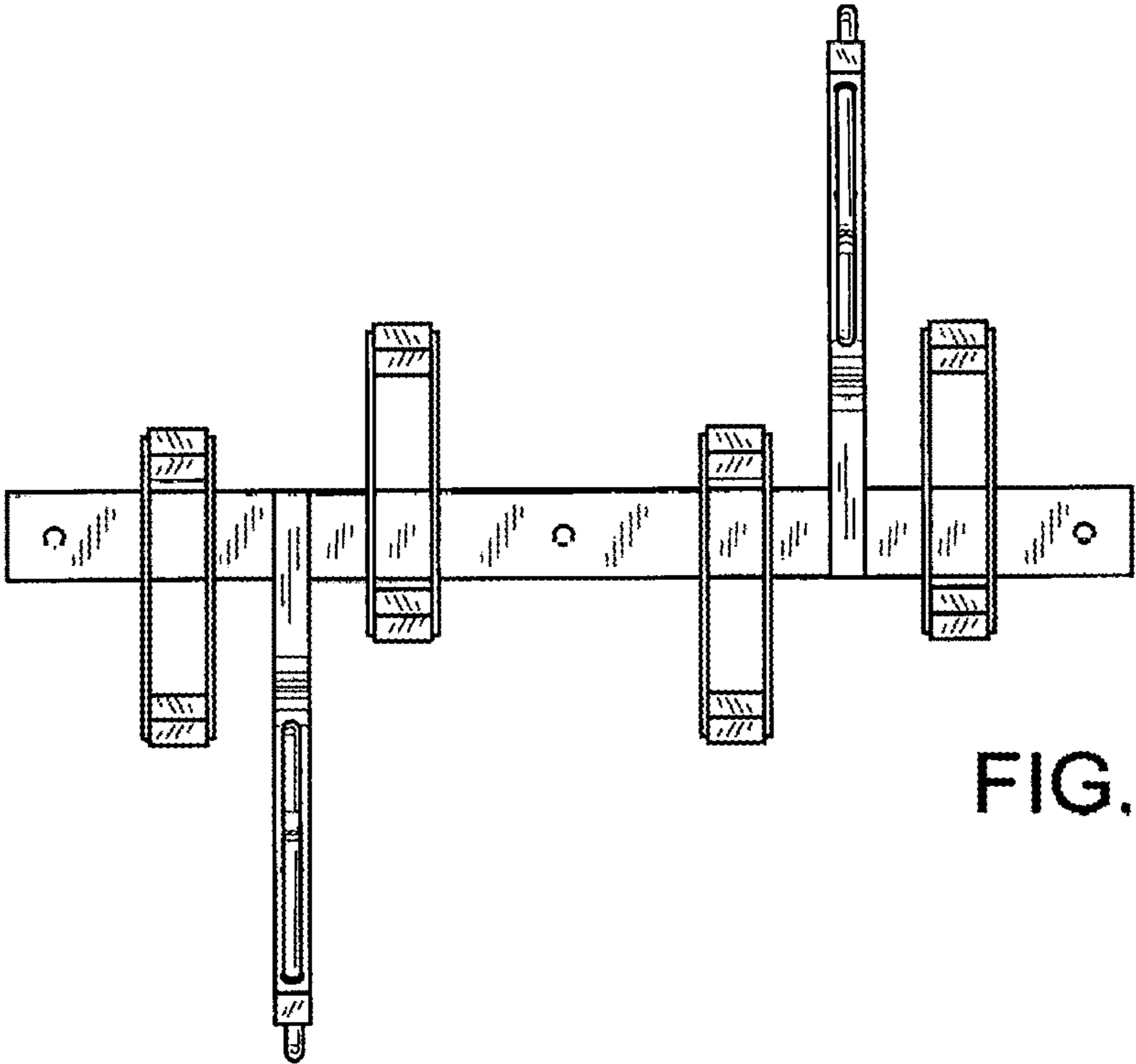


FIG. 1

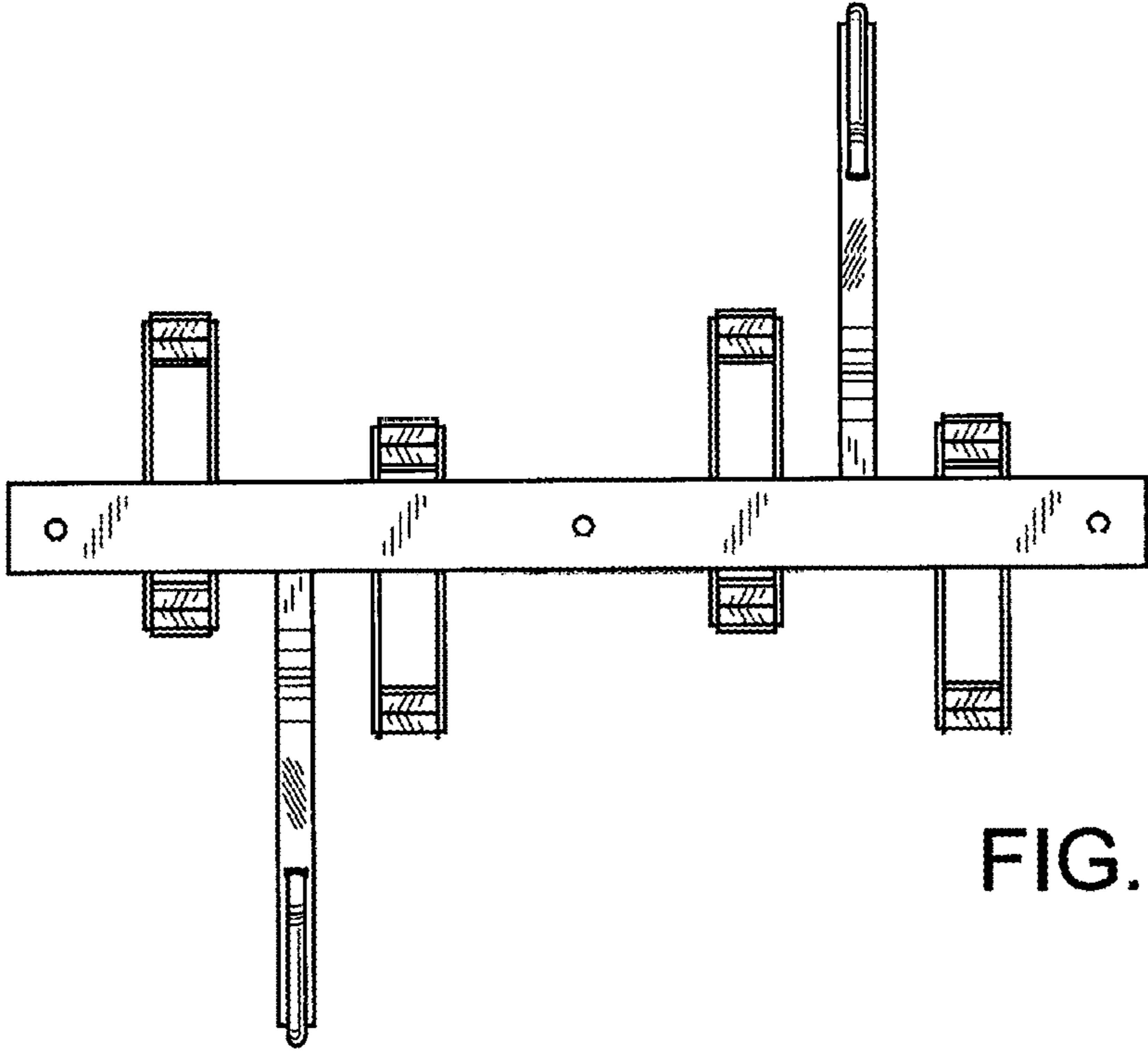


FIG. 2

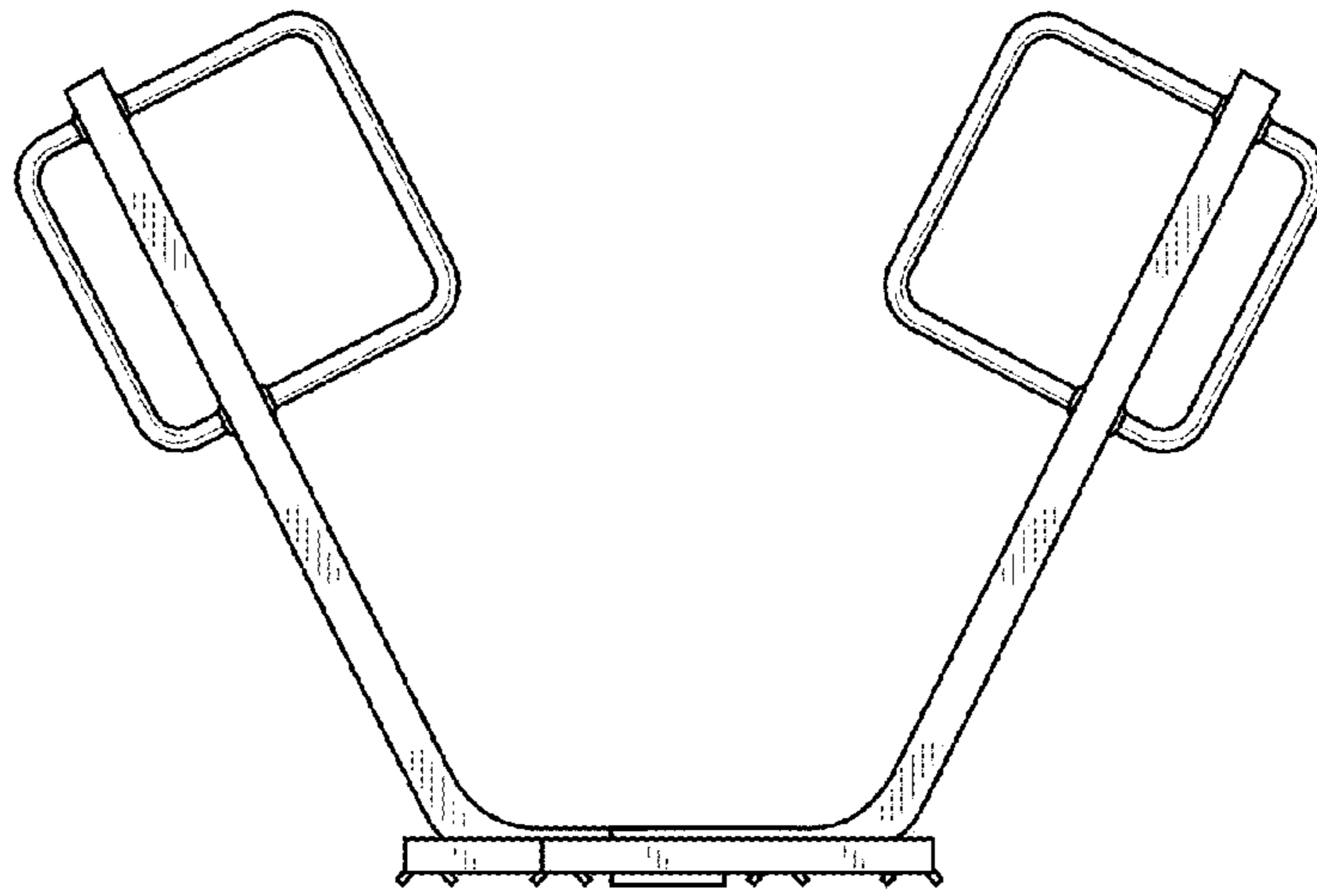


FIG. 3

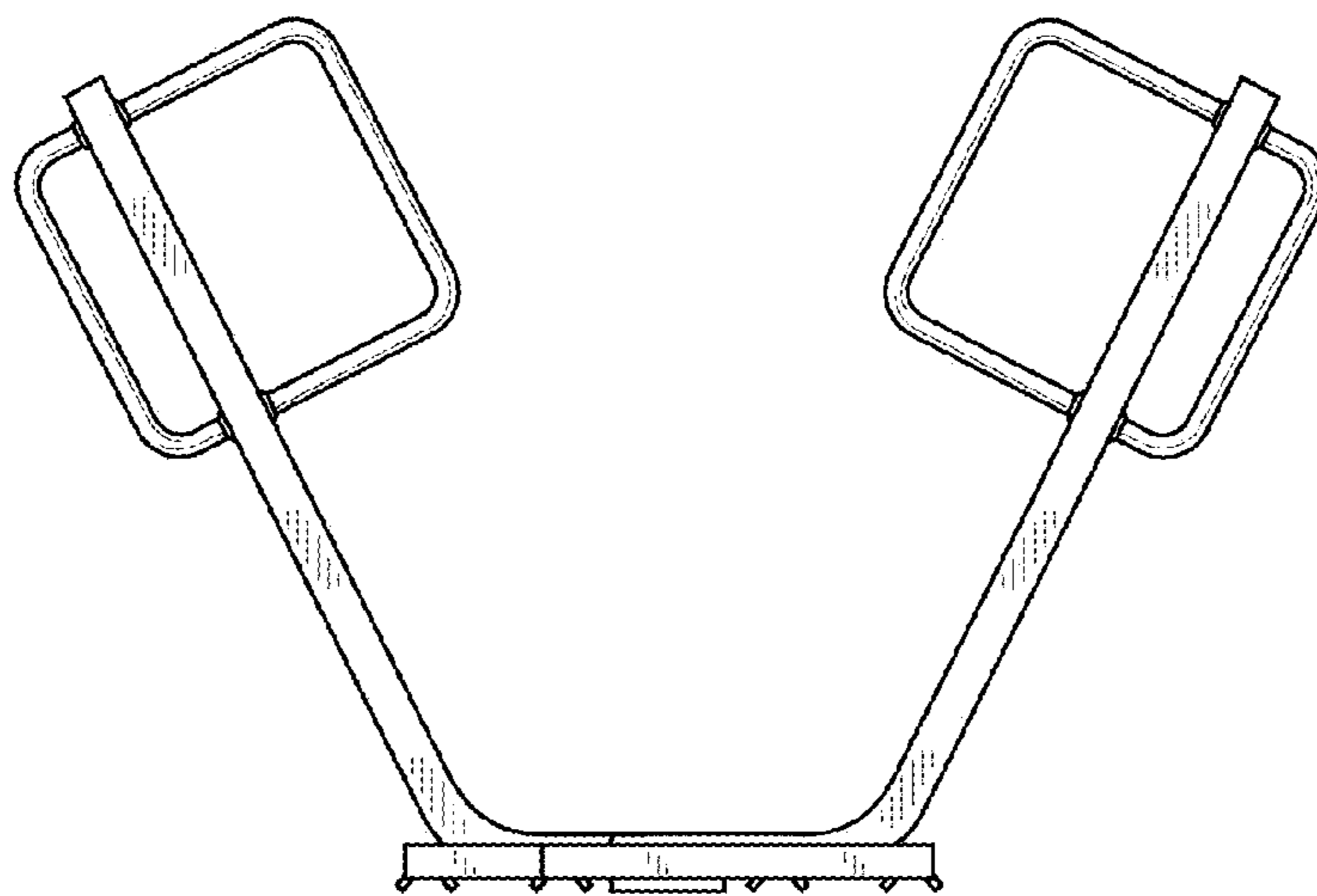


FIG. 4

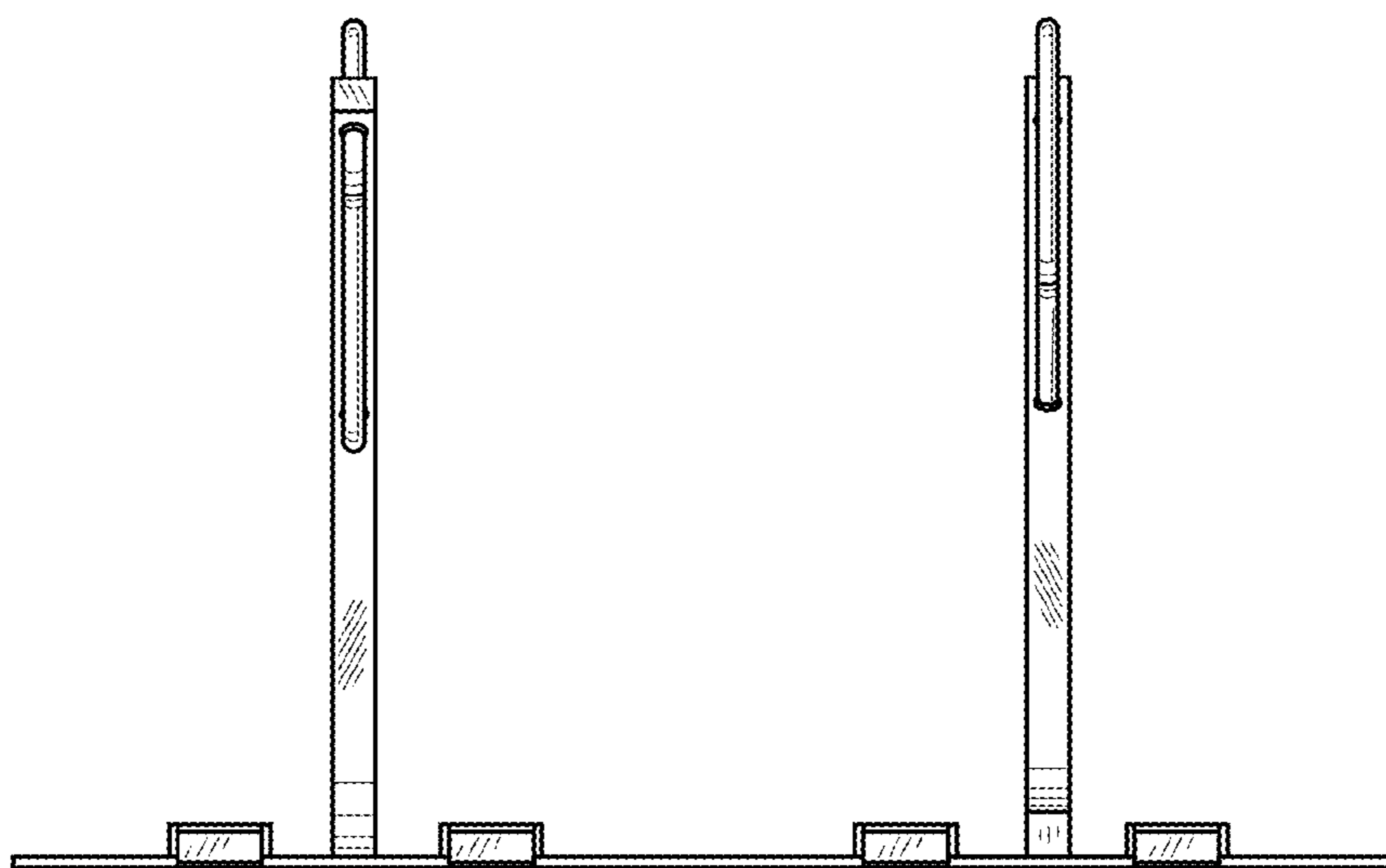


FIG. 5

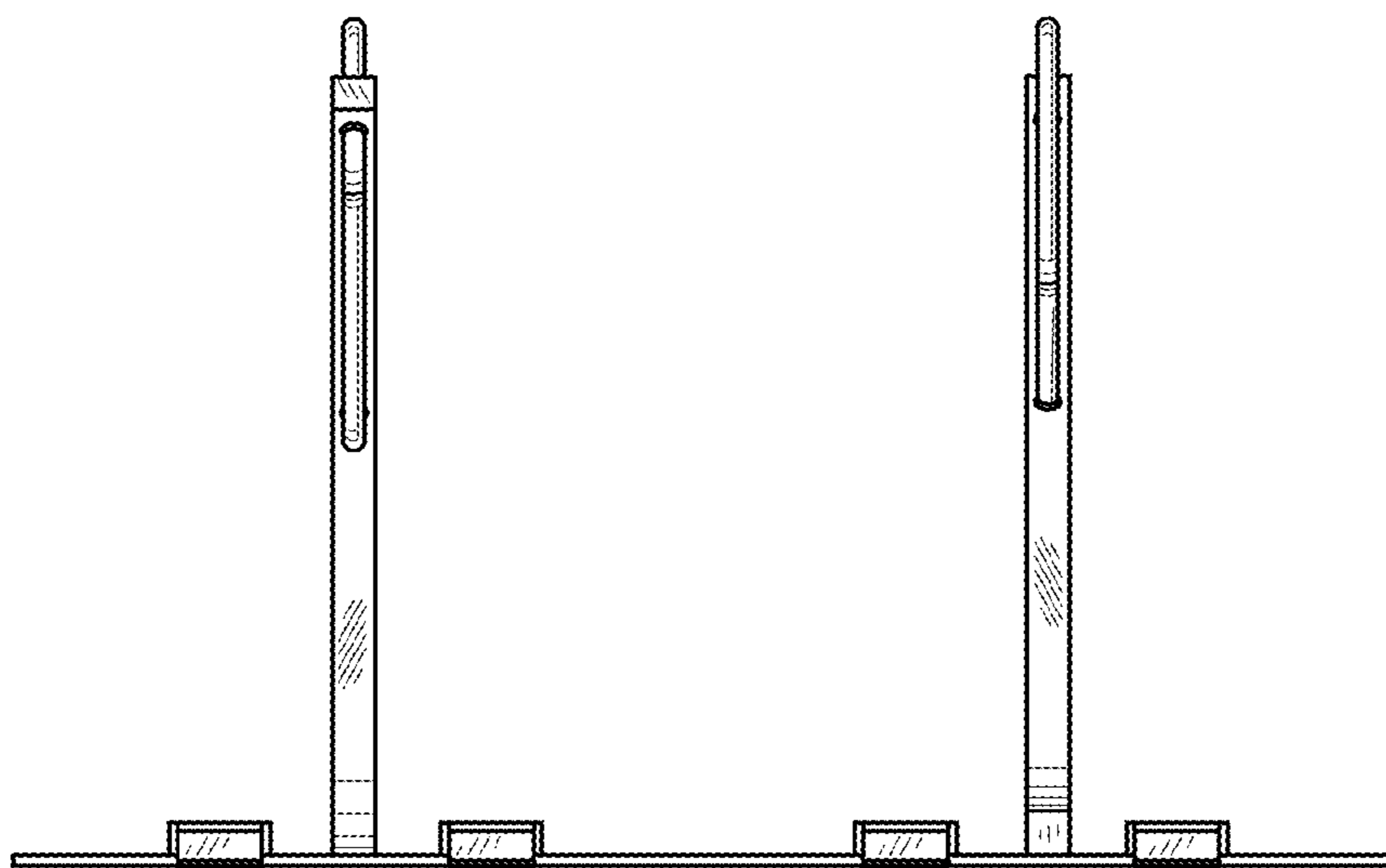


FIG. 6