



US00D759569S

(12) **United States Design Patent**  
**Kasparian et al.**

(10) **Patent No.:** **US D759,569 S**  
(45) **Date of Patent:** **\*\* \*Jun. 21, 2016**

- (54) **NOSE WHEEL TILLER FOR AIRCRAFT**
- (71) Applicant: **Gulfstream Aerospace Corporation,**  
Savannah, GA (US)
- (72) Inventors: **Aram Kasparian,** Savannah, GA (US);  
**Andrew Fulford,** Northville, MI (US)
- (73) Assignee: **Gulfstream Aerospace Corporation,**  
Savannah, GA (US)

4,267,744	A	*	5/1981	Yamasaki	.....	B62M 25/04	474/82
D314,544	S	*	2/1991	Kuo	.....	D12/179	
D318,836	S	*	8/1991	Hsu	.....	D12/179	
D374,205	S	*	10/1996	Levinkron	.....	D12/179	
D384,926	S	*	10/1997	Wallace	.....	D12/179	
D481,658	S	*	11/2003	Ryan	.....	D12/179	
D515,770	S	*	2/2006	Ryan	.....	D12/179	
D541,824	S	*	5/2007	Yanagida	.....	D15/28	
D592,126	S	*	5/2009	da Silveira	.....	D12/345	
D636,306	S	*	4/2011	Pohanka	.....	D12/179	
D647,014	S	*	10/2011	Kluck	.....	D12/179	

(\*) Notice: This patent is subject to a terminal disclaimer.

\* cited by examiner

(\*\*) Term: **14 Years**

*Primary Examiner* — Robert M Spear  
*Assistant Examiner* — Marissa J Cash

(21) Appl. No.: **29/506,136**

(74) *Attorney, Agent, or Firm* — Ingrassia, Fisher & Lorenz  
PC

(22) Filed: **Oct. 13, 2014**

(51) **LOC (10) Cl.** ..... **12-07**

(52) **U.S. Cl.**  
USPC ..... **D12/345**

(58) **Field of Classification Search**  
USPC ..... D6/336, 384, 653, 654, 665, 657, 663,  
D6/672, 573; D7/602, 603, 614; D12/319,  
D12/323, 325, 336, 345, 192, 423, 415, 416,  
D12/179, 180, 182; D21/436, 447, 448,  
D21/449, 453  
CPC ..... B64C 13/04; B64D 11/0007; B64D  
11/0015; B64D 11/003; B64D 11/04; B64D  
2011/0046; B64D 11/0629; B64B 1/10  
See application file for complete search history.

(56) **References Cited**

**U.S. PATENT DOCUMENTS**

- D212,727 S \* 11/1968 Shimano ..... D12/179
- D213,747 S \* 4/1969 Ross ..... D12/179

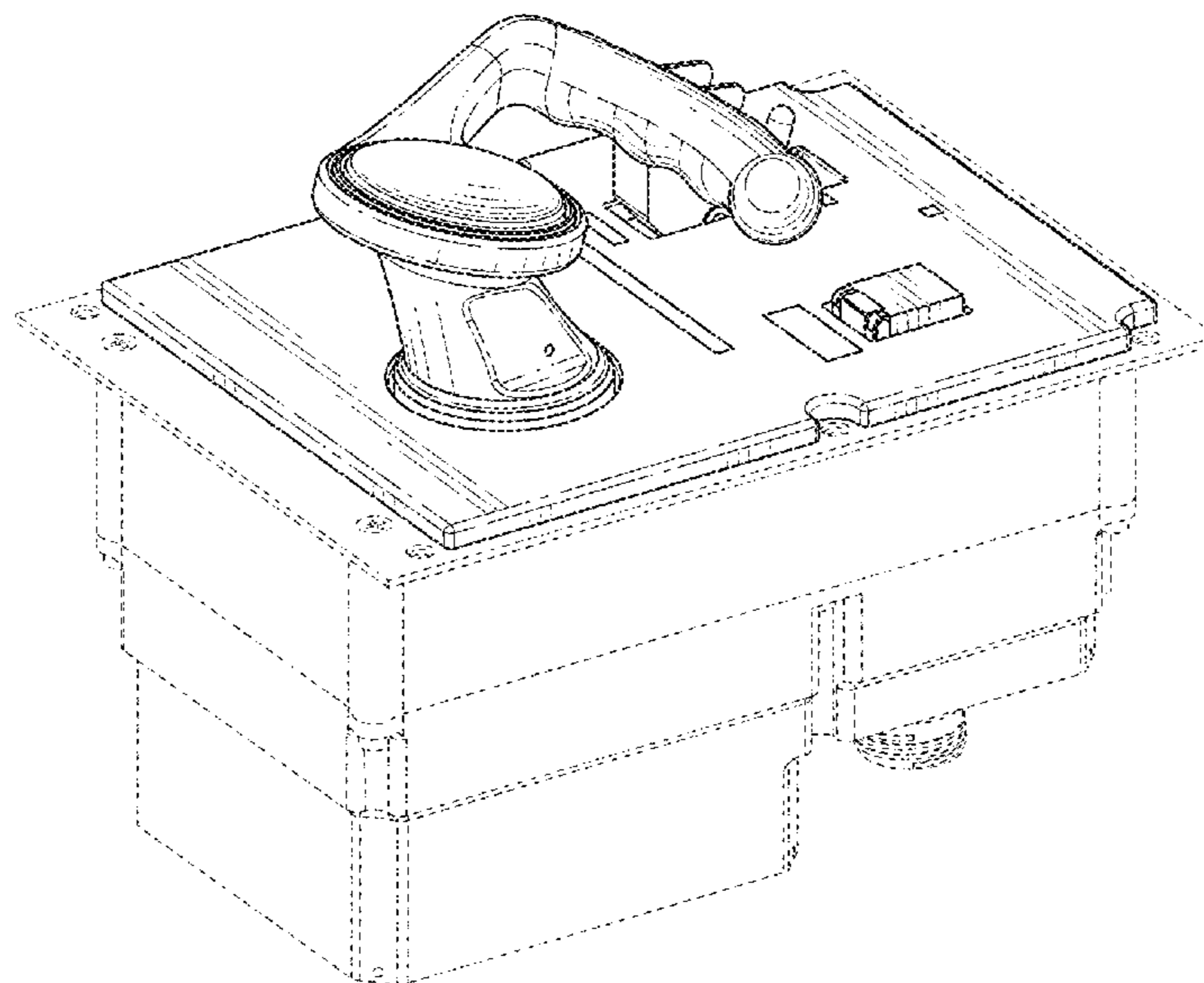
(57) **CLAIM**

The ornamental design for a nose wheel tiller for aircraft, as shown and described.

**DESCRIPTION**

FIG. 1 is a front perspective view of a nose wheel tiller for aircraft showing our new design;  
FIG. 2 is a front view thereof;  
FIG. 3 is a back view thereof;  
FIG. 4 is a first side view thereof;  
FIG. 5 is a second side view thereof;  
FIG. 6 is a top view thereof, the bottom view forming no part of the claimed design; and,  
FIG. 7 is a perspective view thereof, shown in use in a side console of a cockpit.  
The broken lines illustrate structure and environment that form no part of the claimed design.

**1 Claim, 7 Drawing Sheets**



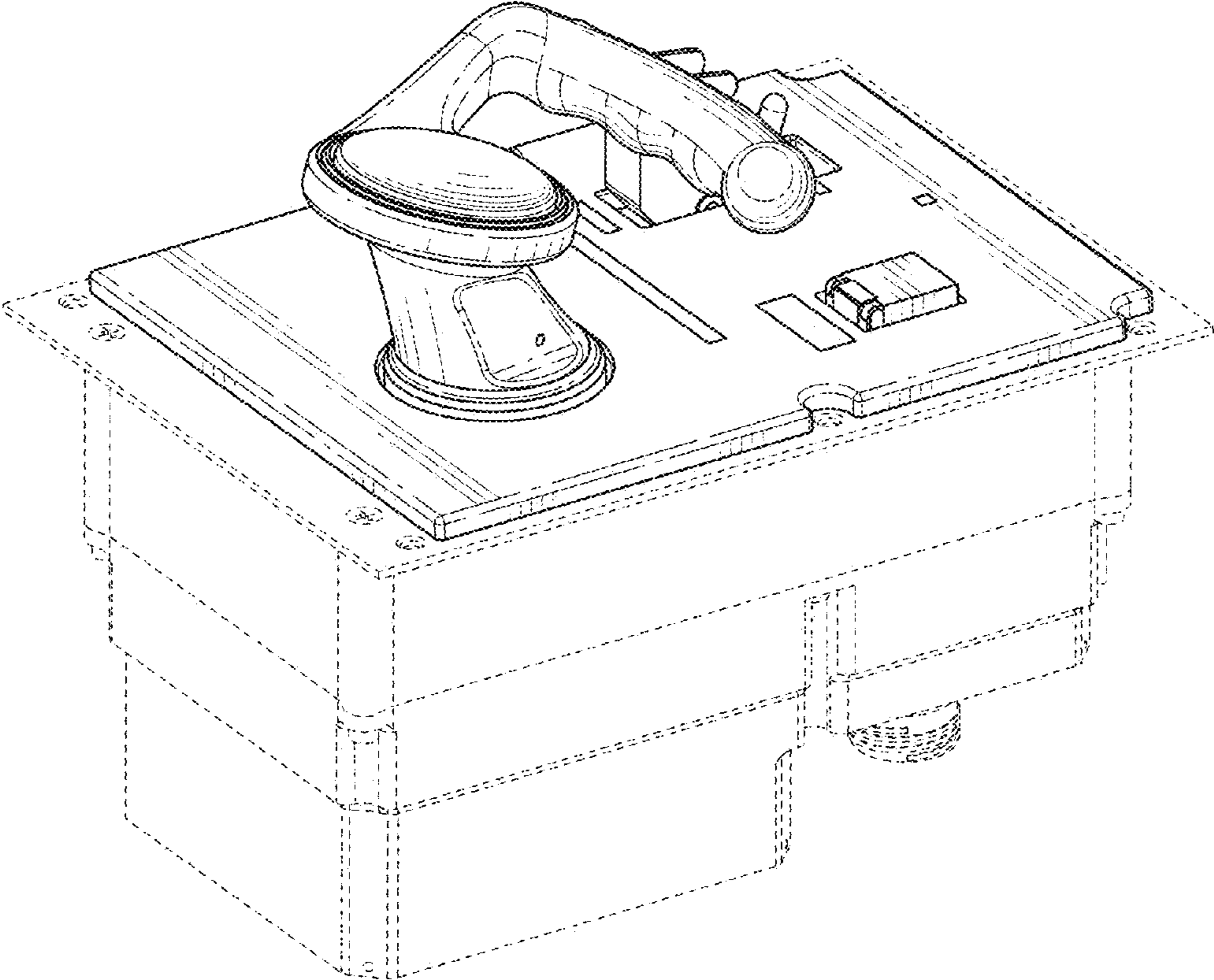


FIG. 1

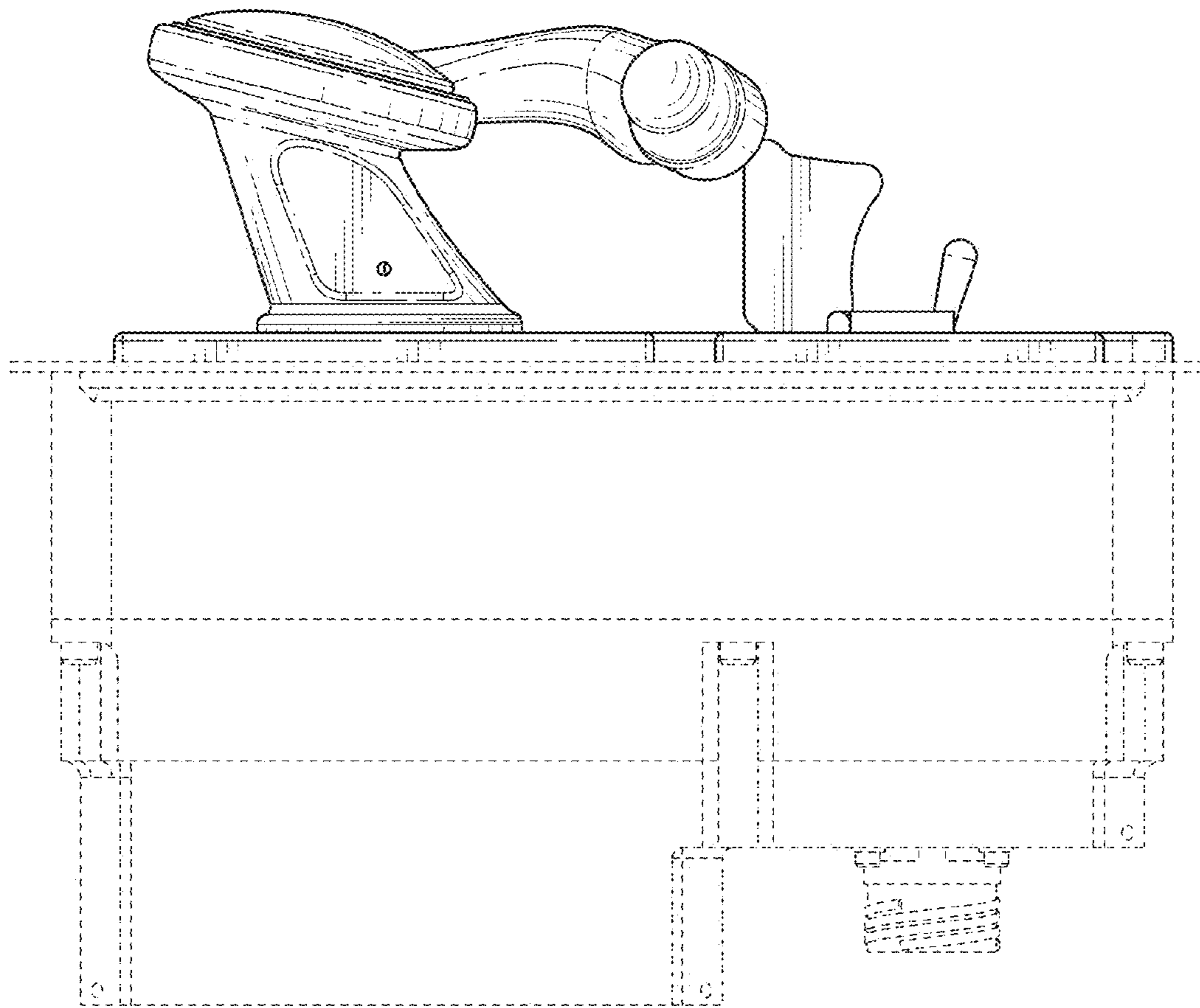


FIG. 2

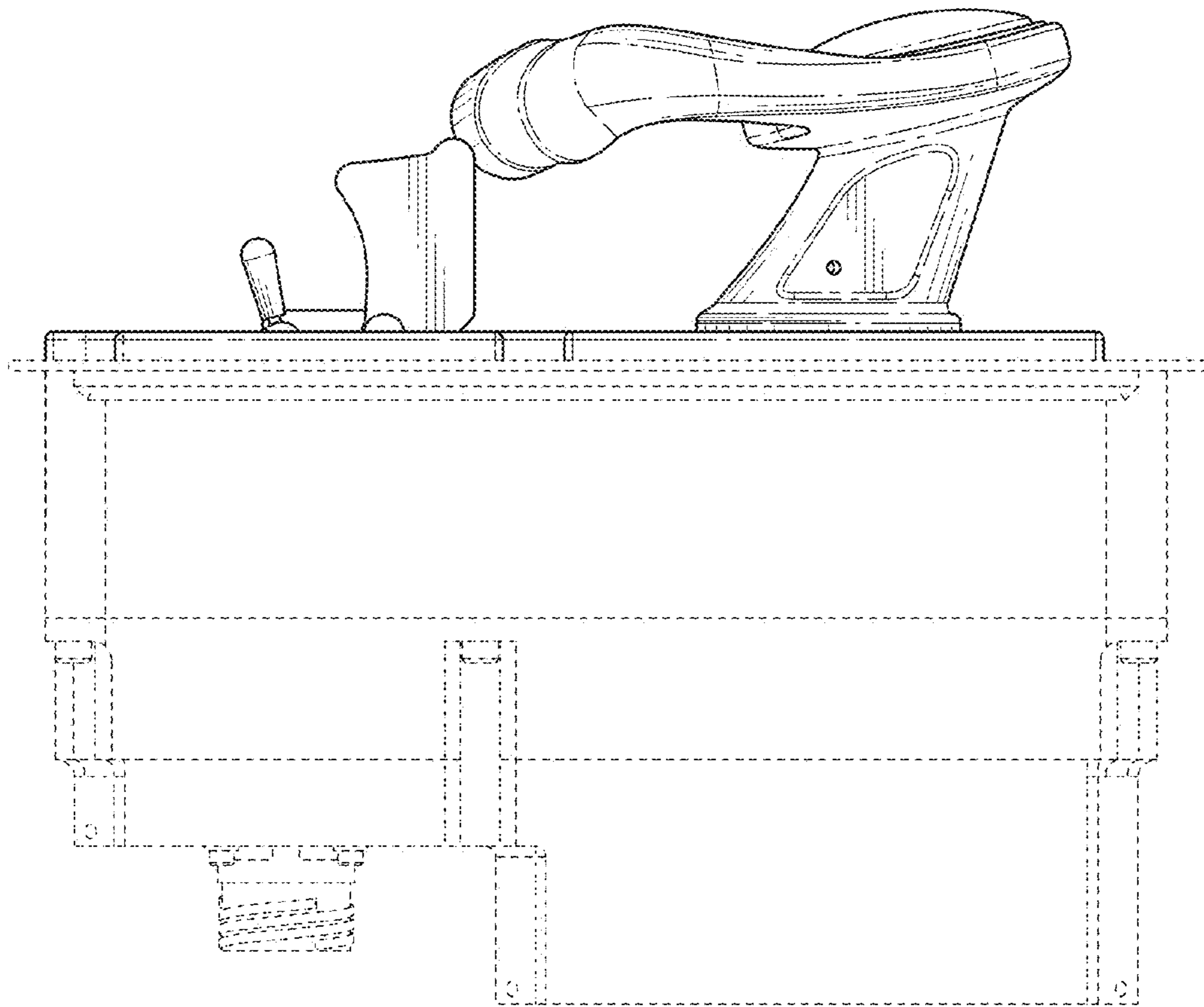


FIG. 3

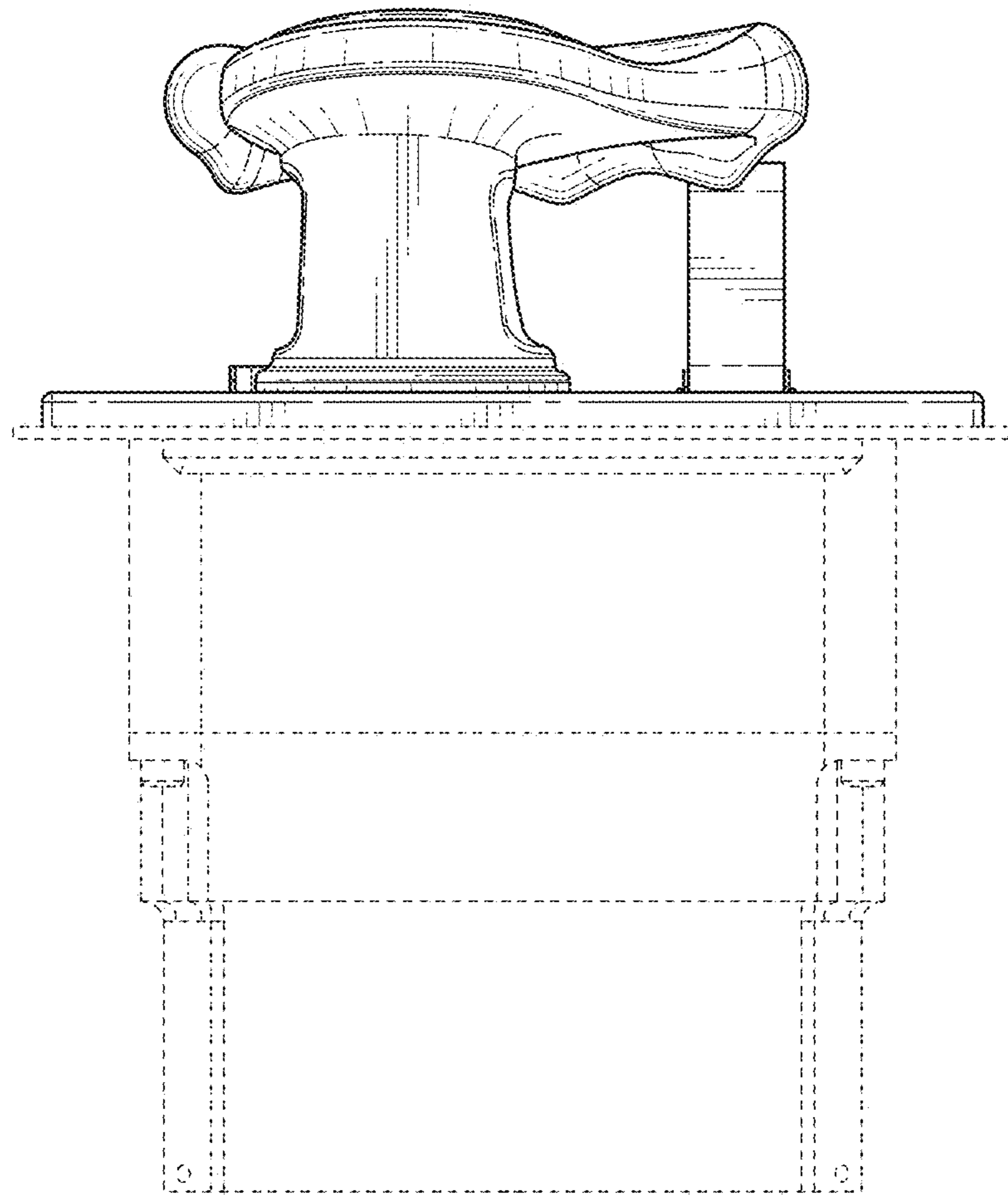


FIG. 4



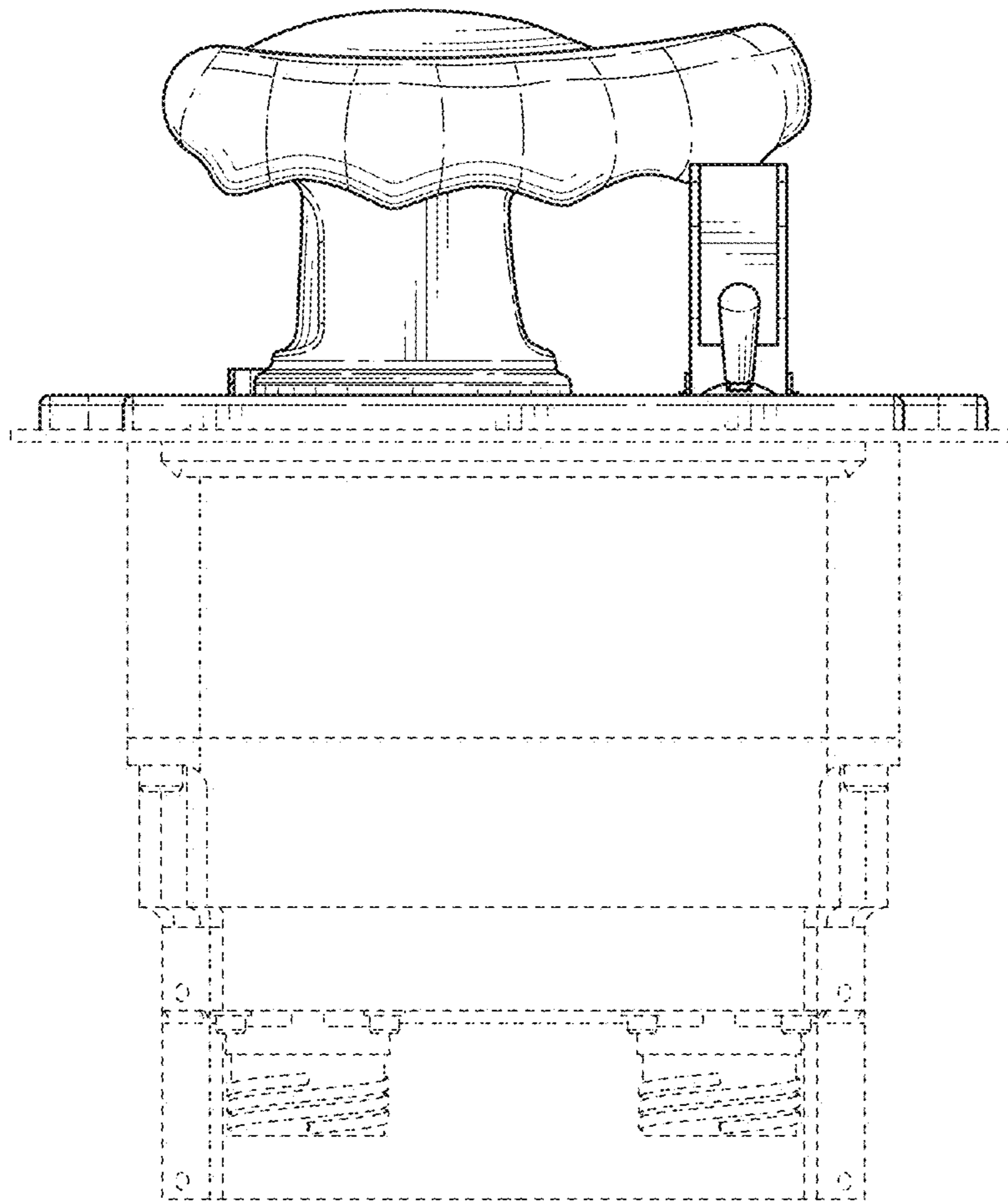


FIG. 5

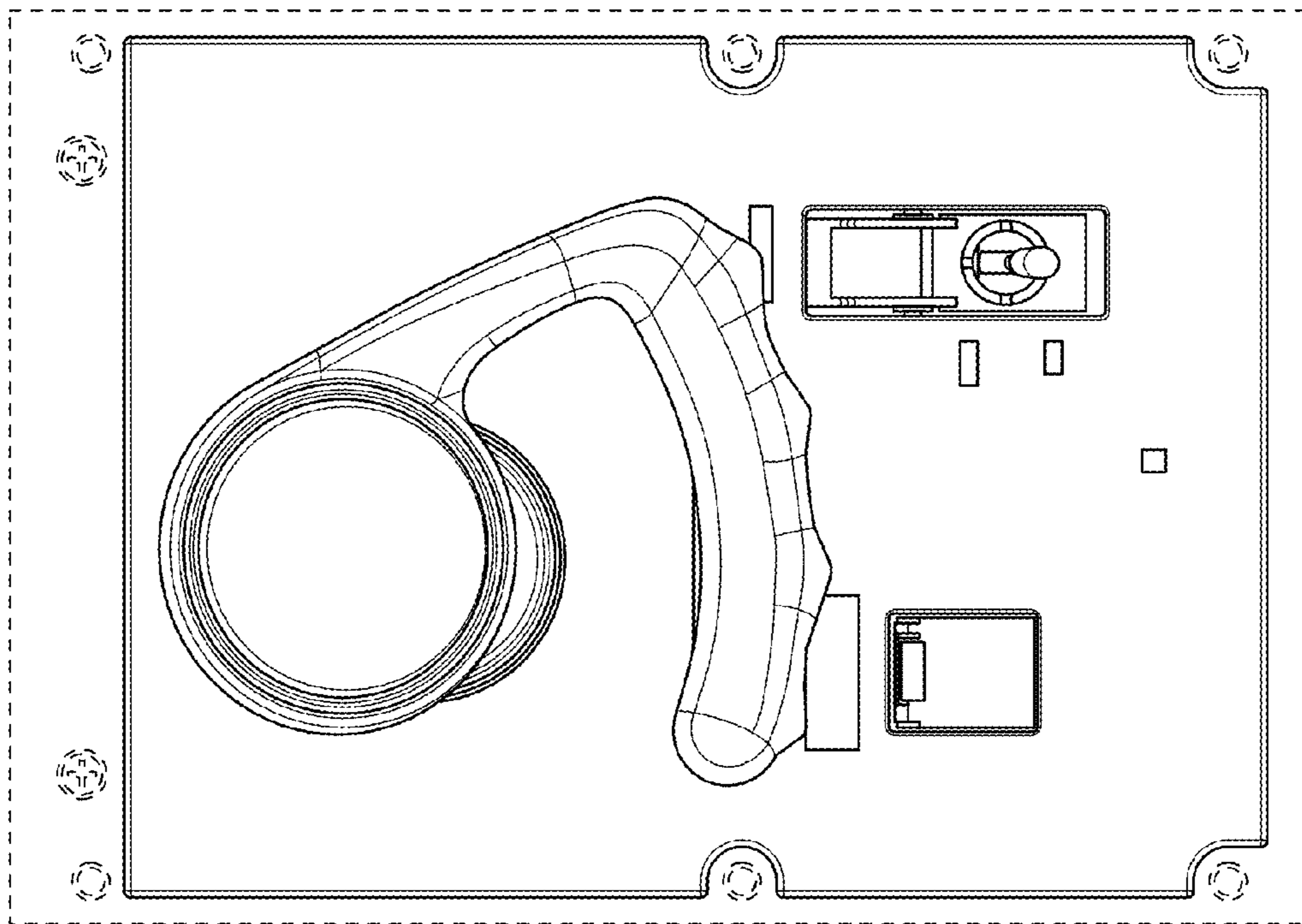


FIG. 6

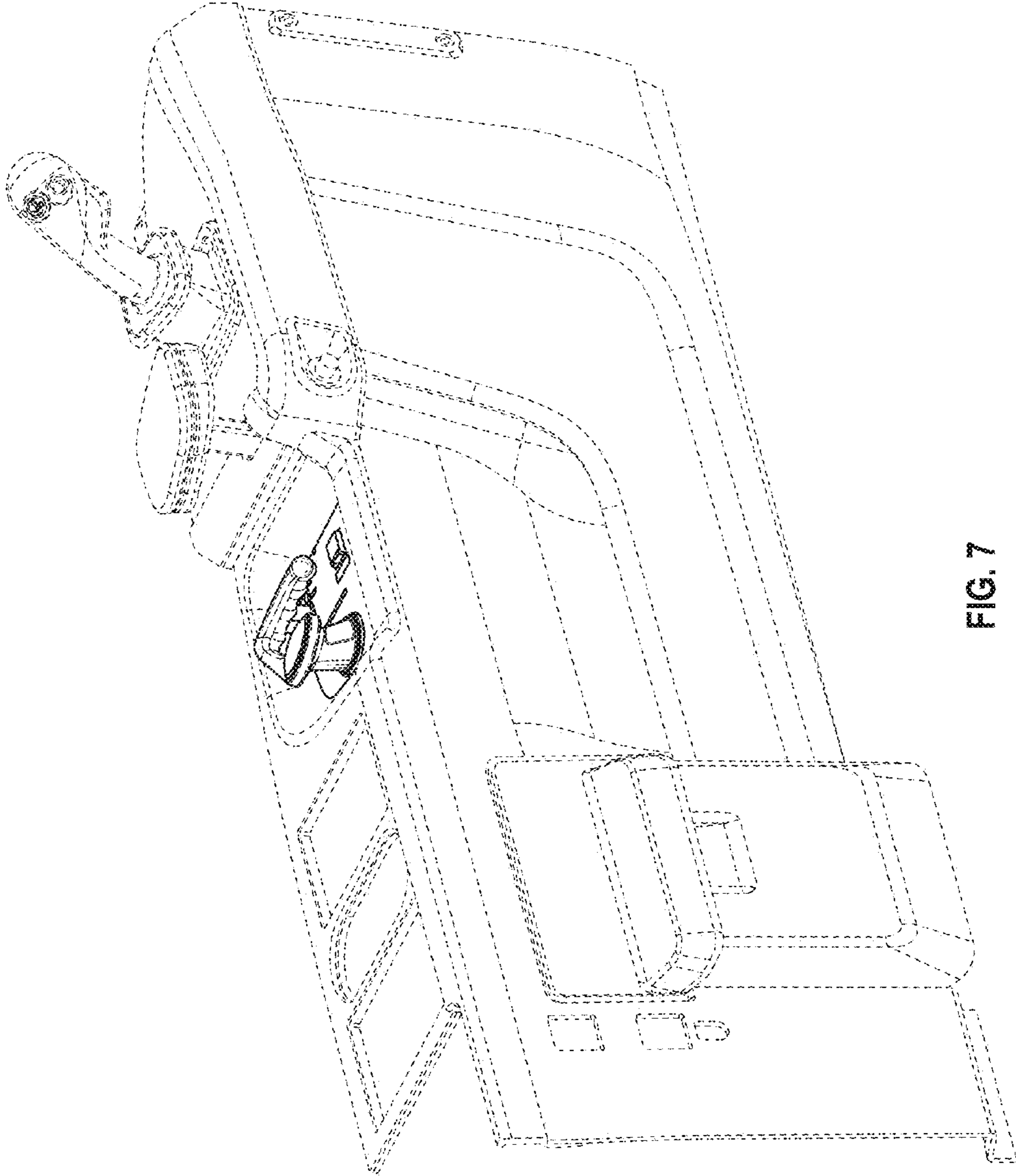


FIG. 7