



US00D759568S

(12) **United States Design Patent**
Kasparian et al.

(10) **Patent No.:** **US D759,568 S**
(45) **Date of Patent:** **** *Jun. 21, 2016**

(54) **COCKPIT CENTER CONSOLE**

(56) **References Cited**

(71) Applicant: **Gulfstream Aerospace Corporation,**
Savannah, GA (US)
(72) Inventors: **Aram Kasparian,** Savannah, GA (US);
Andrew Fulford, Northville, MI (US);
Tristan Flynn, Savannah, GA (US)
(73) Assignee: **Gulfstream Aerospace Corporation,**
Savannah, GA (US)

U.S. PATENT DOCUMENTS

D433,362 S *	11/2000	Wyszgrod	D12/192
D440,193 S *	4/2001	Pfeiffer	D12/192
D501,811 S *	2/2005	Fukuda	D12/192
D589,870 S *	4/2009	Saint-Jalmes	D12/345
D592,126 S *	5/2009	da Silveira	D12/345
D640,180 S *	6/2011	Money Penny	D12/345
D641,674 S *	7/2011	Kim	D12/192
D694,701 S *	12/2013	Ouellette	D12/415
D721,996 S *	2/2015	Farcas	D12/192
D727,816 S *	4/2015	Takagi	D12/192
D730,793 S *	6/2015	Ishikawa	D12/192
D730,805 S *	6/2015	Tran	D12/192
2012/0085870 A1 *	4/2012	Coote	B60N 2/4693 244/234

(*) Notice: This patent is subject to a terminal disclaimer.

(**) Term: **14 Years**

* cited by examiner

(21) Appl. No.: **29/506,122**

Primary Examiner — Robert M Spear

Assistant Examiner — Marissa J Cash

(22) Filed: **Oct. 13, 2014**

(74) *Attorney, Agent, or Firm* — Ingrassia, Fisher & Lorenz PC

(51) **LOC (10) Cl.** **12-07**

(57) **CLAIM**

(52) **U.S. Cl.**

The ornamental design for a cockpit center console, as shown and described.

USPC **D12/345**

DESCRIPTION

(58) **Field of Classification Search**

USPC D6/336, 384, 653, 654, 665, 657, 663,
D6/672, 573; D7/602, 603, 614; D12/319,
D12/323, 325, 336, 345, 192, 423, 415, 416,
D12/179, 180, 182; D21/436, 447, 448,
D21/449, 453

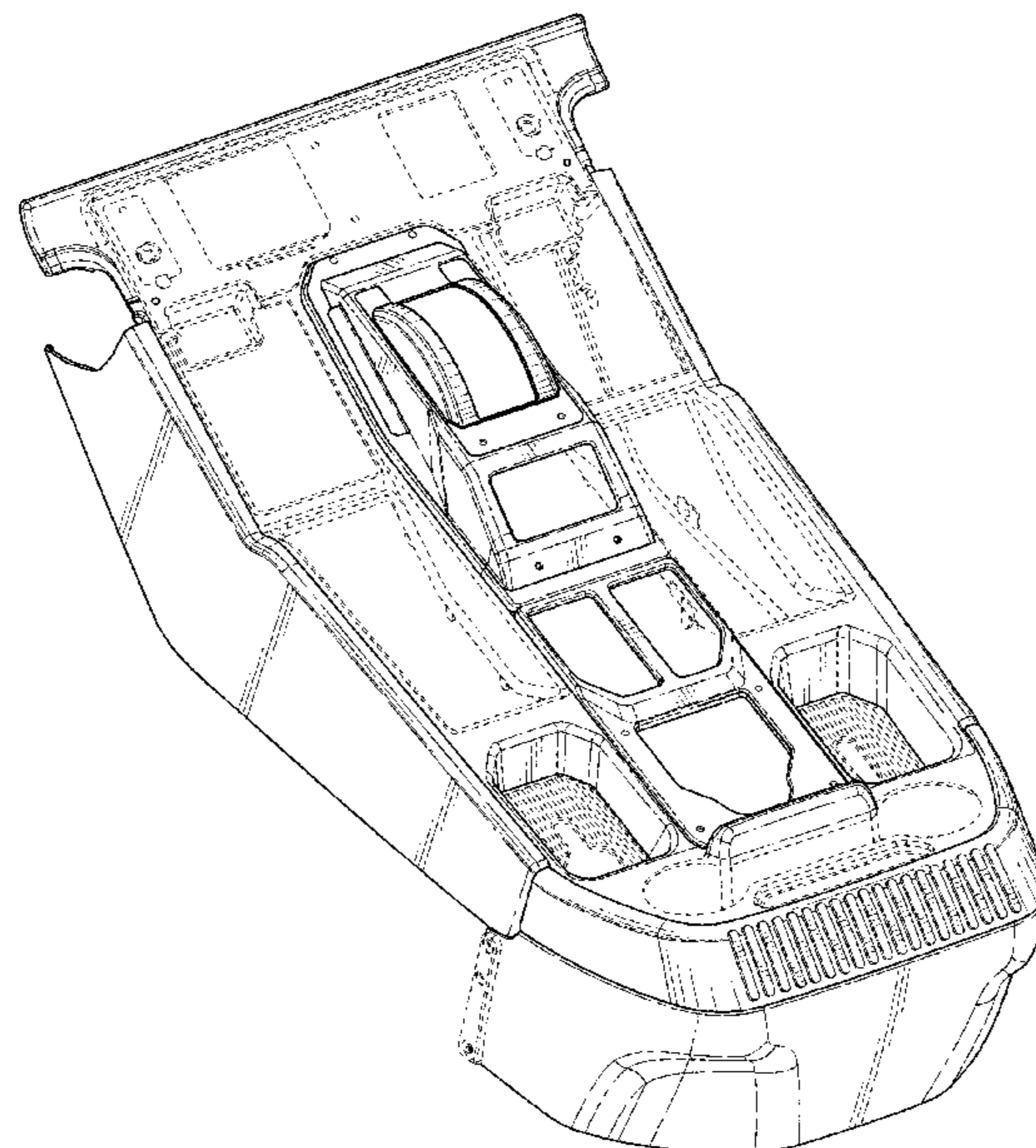
FIG. 1 is a front perspective view of a cockpit center console;
FIG. 2 is a front view thereof, the back view forming no part
of the claimed design;
FIG. 3 is a first side view thereof;
FIG. 4 is a second side view thereof; and,
FIG. 5 is a top view thereof, the bottom view forming no part
of the claimed design.

CPC B64C 13/04; B64D 11/0007; B64D
11/0015; B64D 11/003; B64D 11/04; B64D
2011/0046; B64D 11/0629; B64B 1/10

The broken lines illustrate structure and environment that
form no part of the claimed design.

See application file for complete search history.

1 Claim, 5 Drawing Sheets



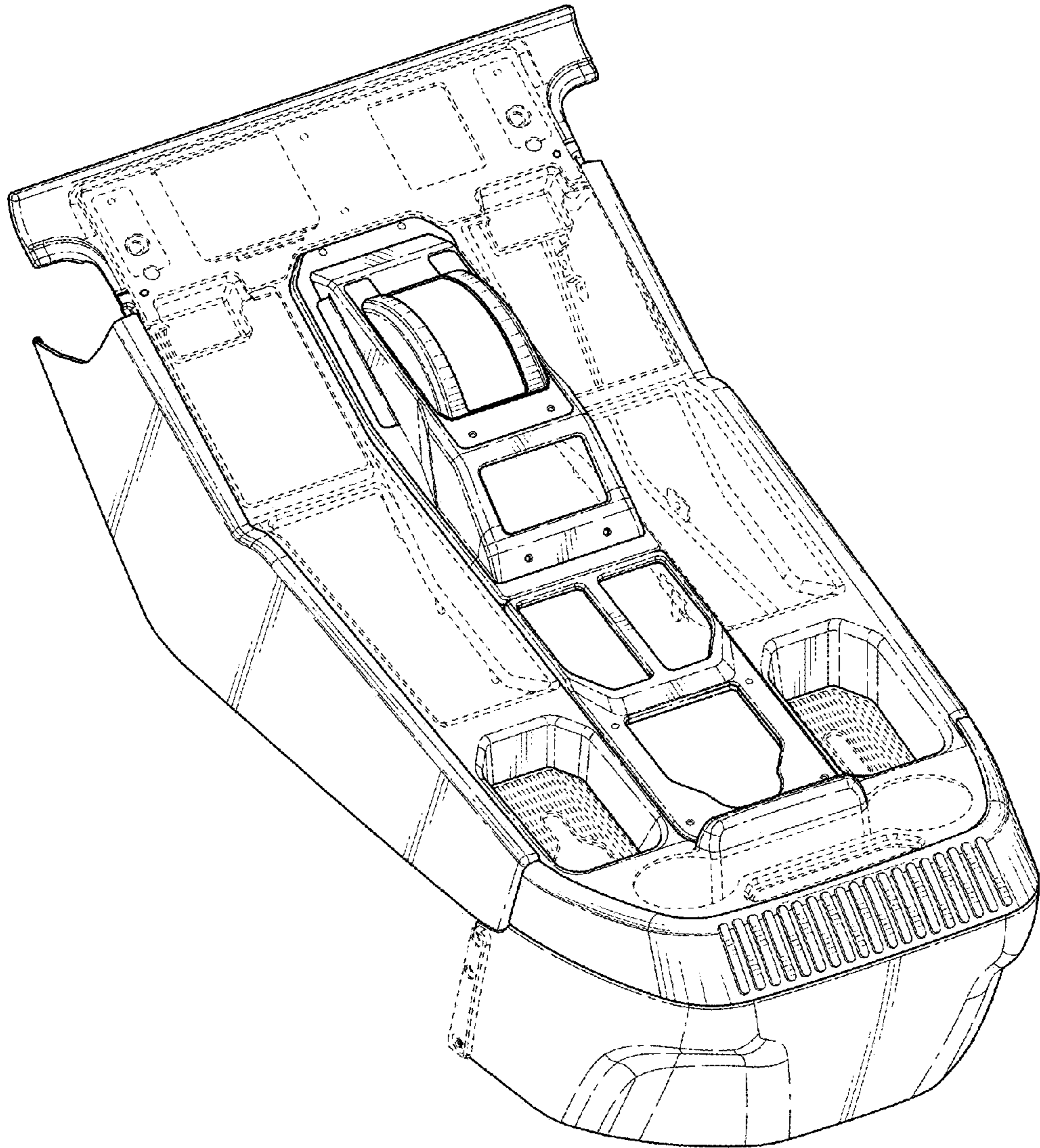


FIG. 1

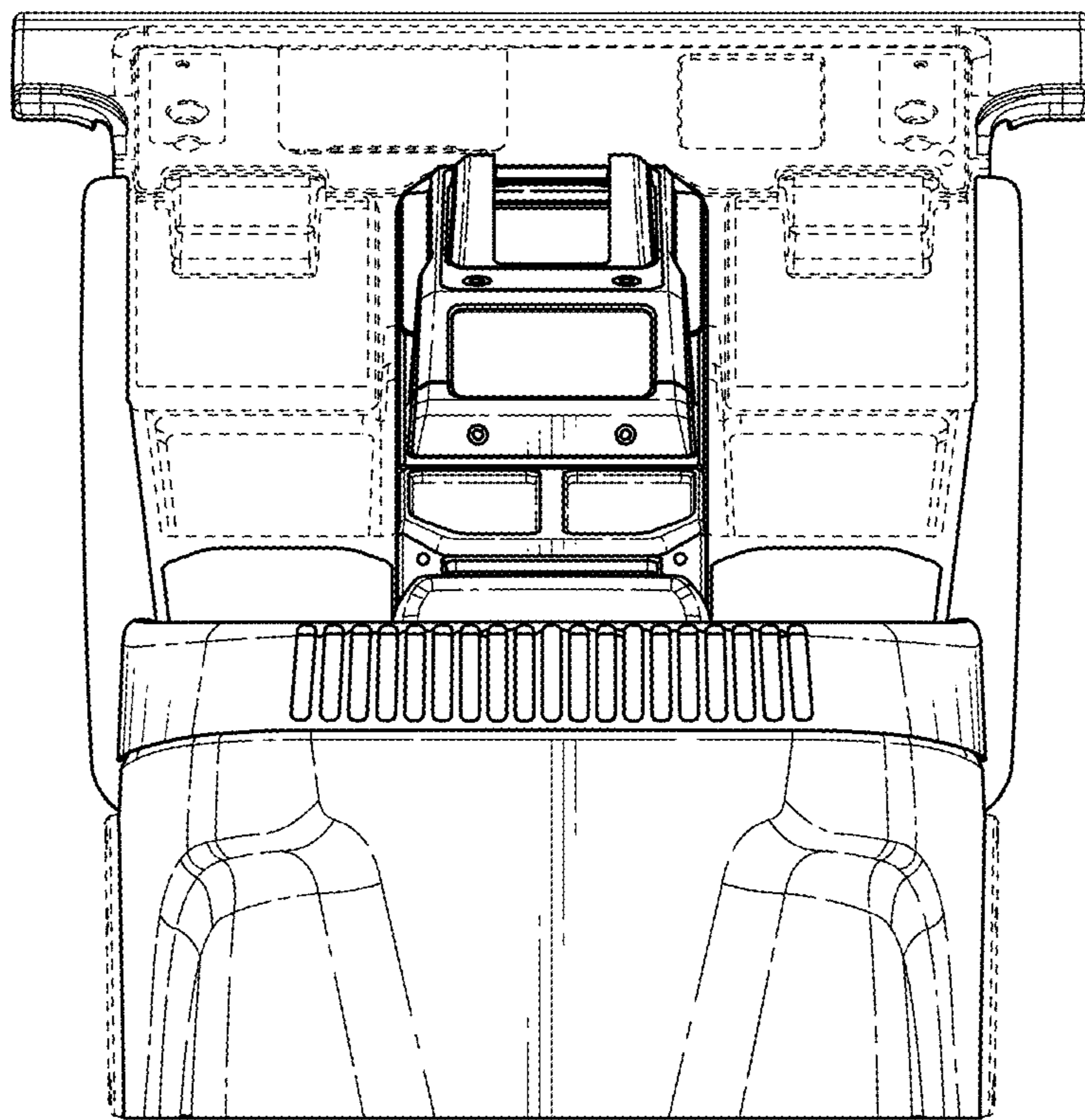


FIG. 2

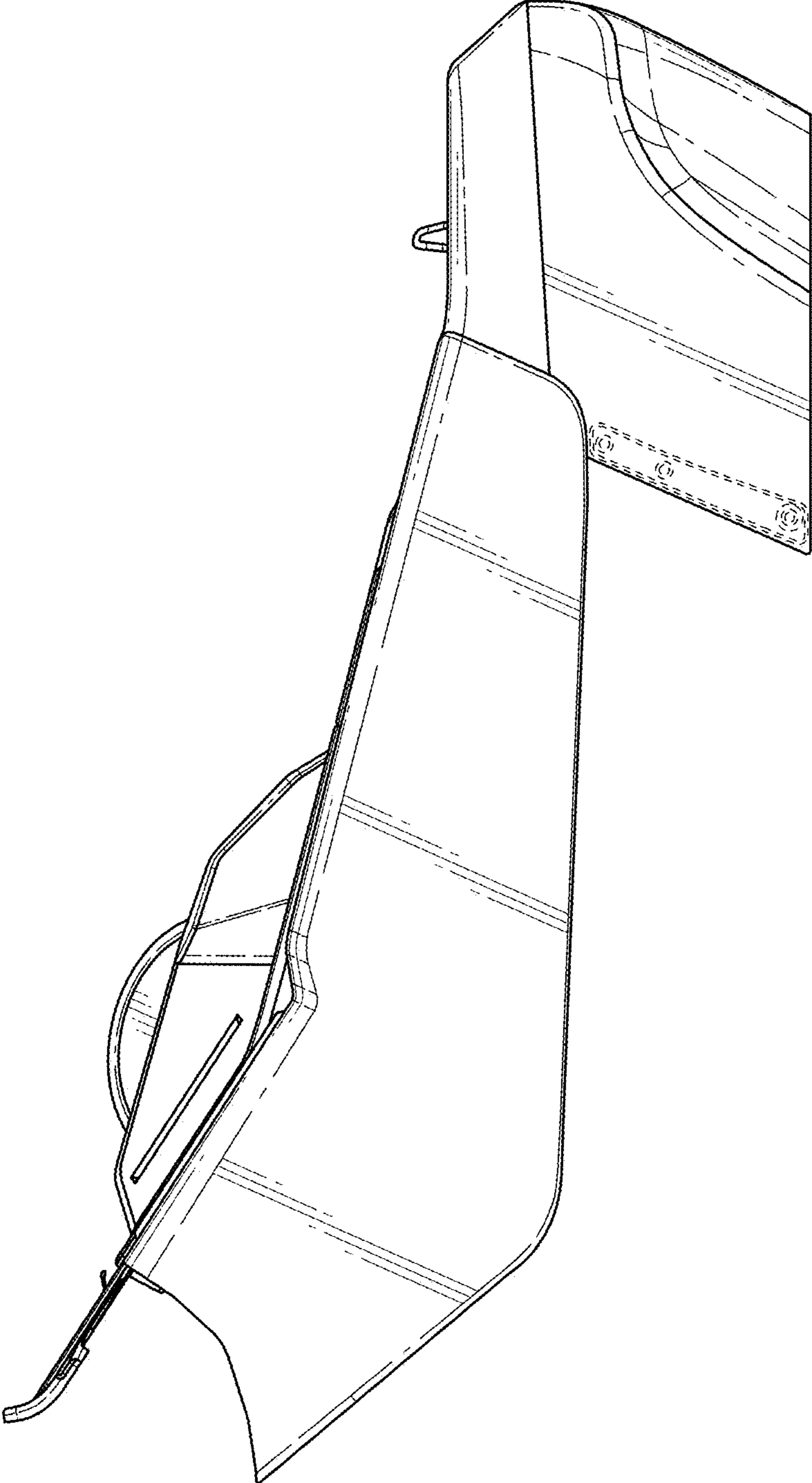


FIG. 3

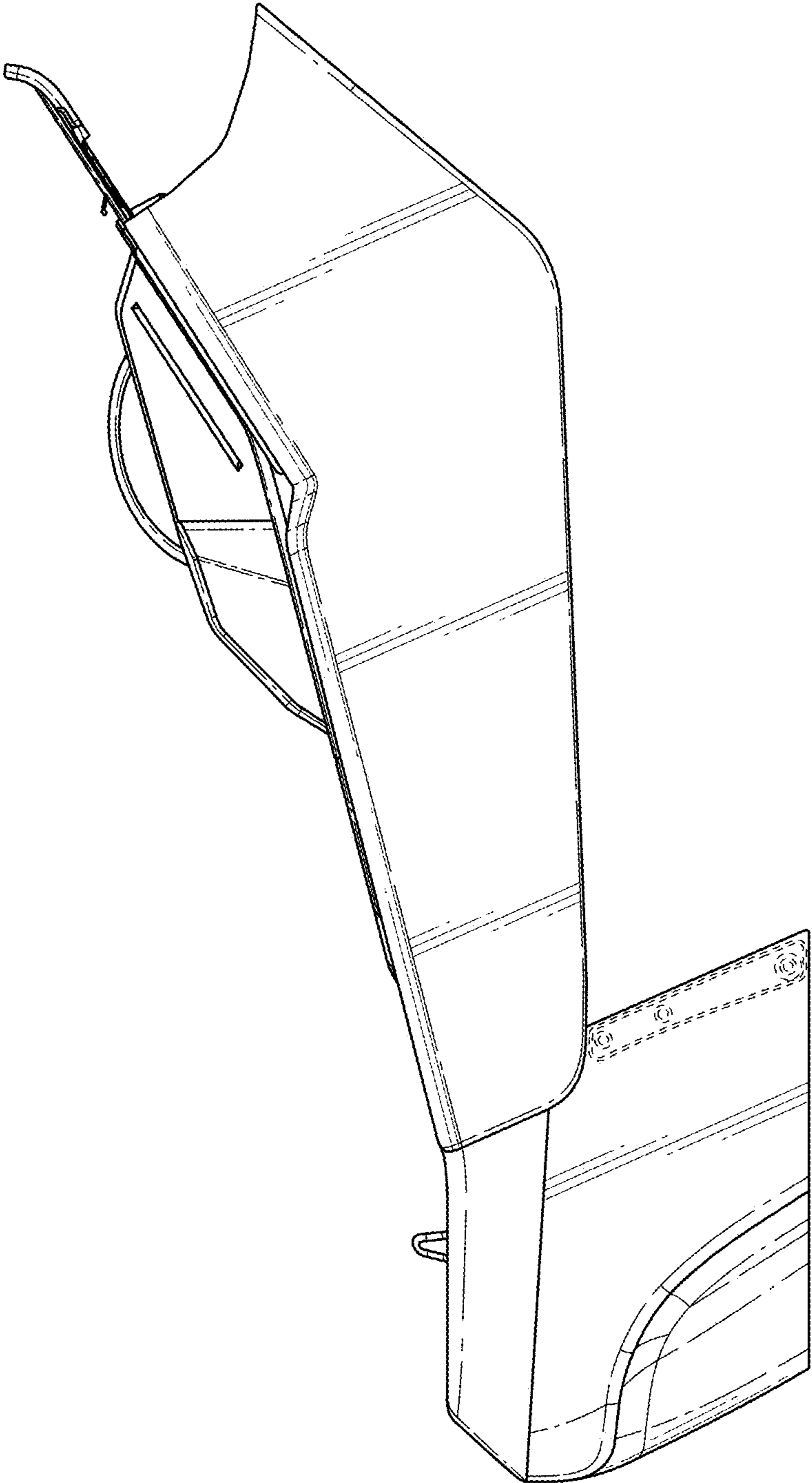


FIG. 4

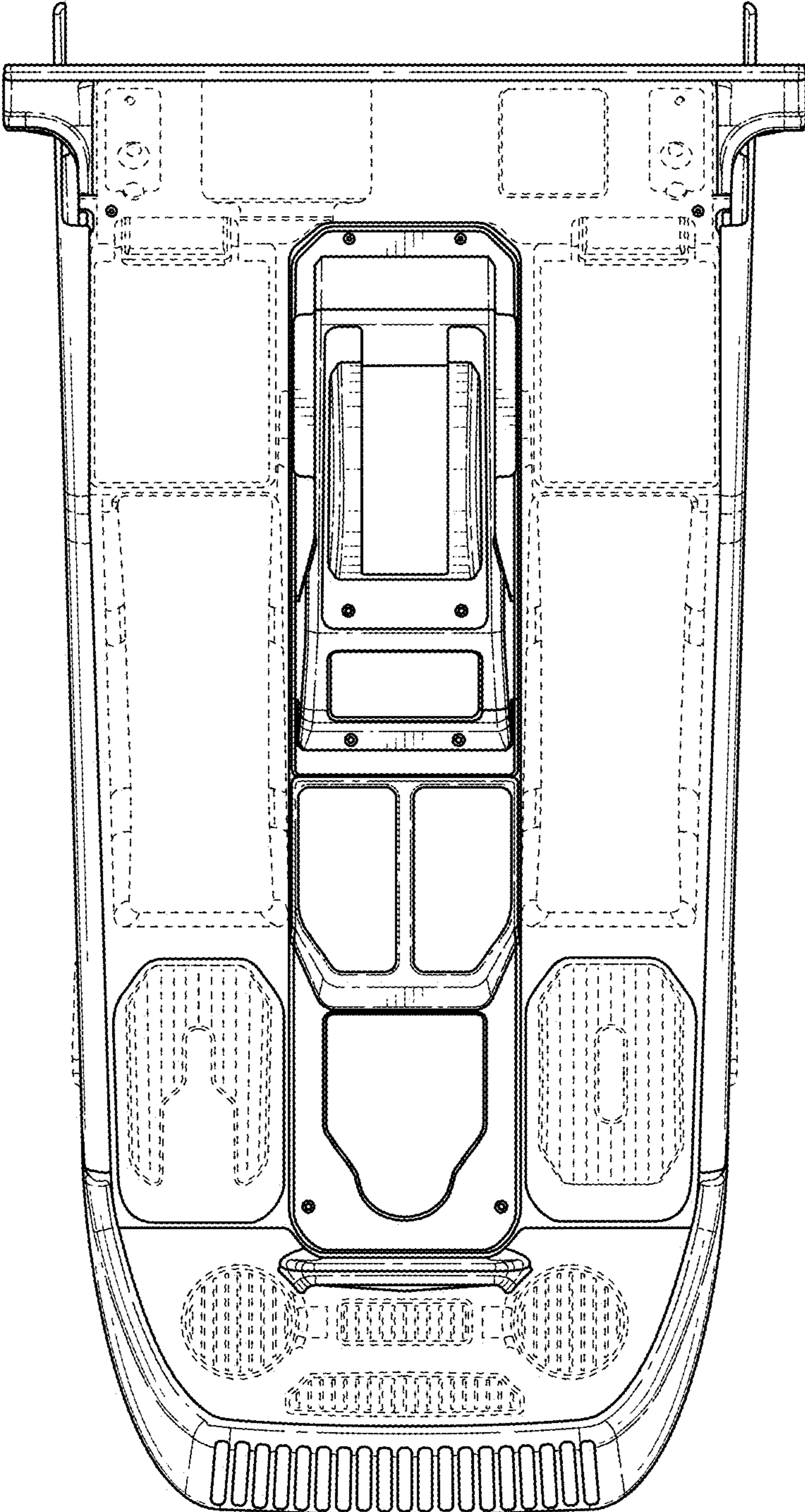


FIG. 5