



US00D759565S

(12) **United States Design Patent**  
**Cybulski**

(10) **Patent No.:** **US D759,565 S**

(45) **Date of Patent:** **\*\* Jun. 21, 2016**

(54) **VEHICLE WHEEL RIM**

(71) Applicant: **AUDI AG**, Ingolstadt (DE)

(72) Inventor: **Parys Cybulski**, Munich (DE)

(73) Assignee: **AUDI AG**, Ingolstadt (DE)

(\*\*) Term: **15 Years**

(21) Appl. No.: **29/544,860**

(22) Filed: **Nov. 6, 2015**

(30) **Foreign Application Priority Data**

May 7, 2015 (EM) ..... 002 696 336-0003

(51) **LOC (10) Cl.** ..... **12-16**

(52) **U.S. Cl.**  
USPC ..... **D12/209**

(58) **Field of Classification Search**  
USPC ..... D12/204-213  
CPC ..... B60B 7/00; B60B 7/02; B60B 7/04;  
B60B 7/01; B60B 7/06; B60B 3/02; B60B  
3/04; B60B 3/06; B60B 3/10; B60B 1/00;  
B60B 1/08; B60B 1/10; B60B 1/12

See application file for complete search history.

(56) **References Cited**

U.S. PATENT DOCUMENTS

D450,288 S *	11/2001	Lee .....	D12/209
D508,007 S *	8/2005	Koch .....	D12/211
D619,071 S *	7/2010	Christensen .....	D12/211
D622,197 S *	8/2010	Zhao .....	D12/209
D671,060 S *	11/2012	Baum .....	D12/209
D671,479 S *	11/2012	Gonser .....	D12/209
D673,494 S *	1/2013	Lemke .....	D12/209
D686,965 S *	7/2013	Pollmann .....	D12/211
D707,165 S *	6/2014	Wheel .....	D12/209
D727,822 S *	4/2015	Wheel .....	D12/209
D734,233 S *	7/2015	Wheel .....	D12/209
D740,734 S *	10/2015	Wheel .....	D12/209
D745,842 S *	12/2015	Wheel .....	D12/209
D748,553 S *	2/2016	Miyazawa .....	D12/209

\* cited by examiner

*Primary Examiner* — Stacia Cadmus

(74) *Attorney, Agent, or Firm* — Lucas & Mercanti, LLP;  
Klaus P. Stoffel

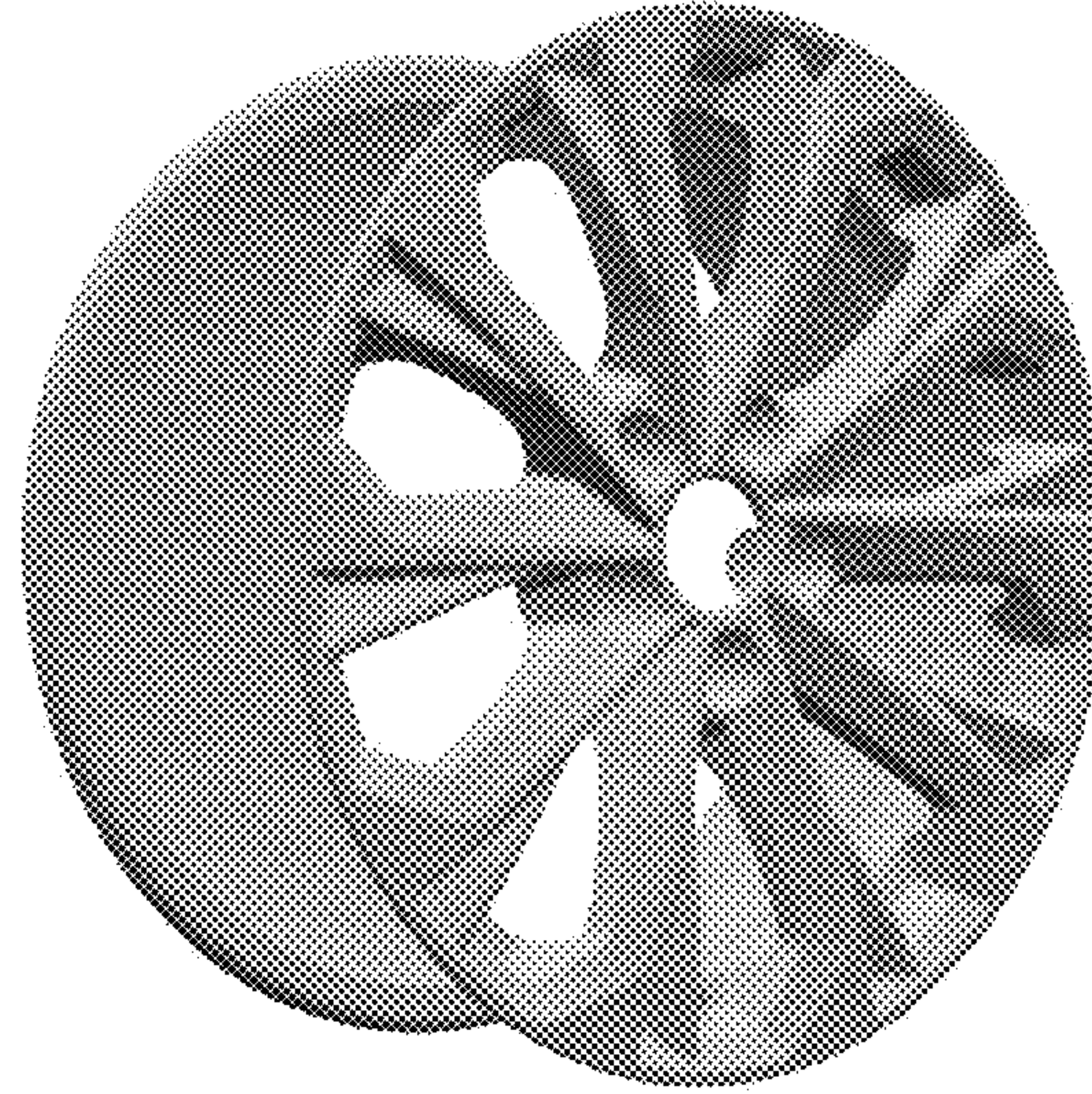
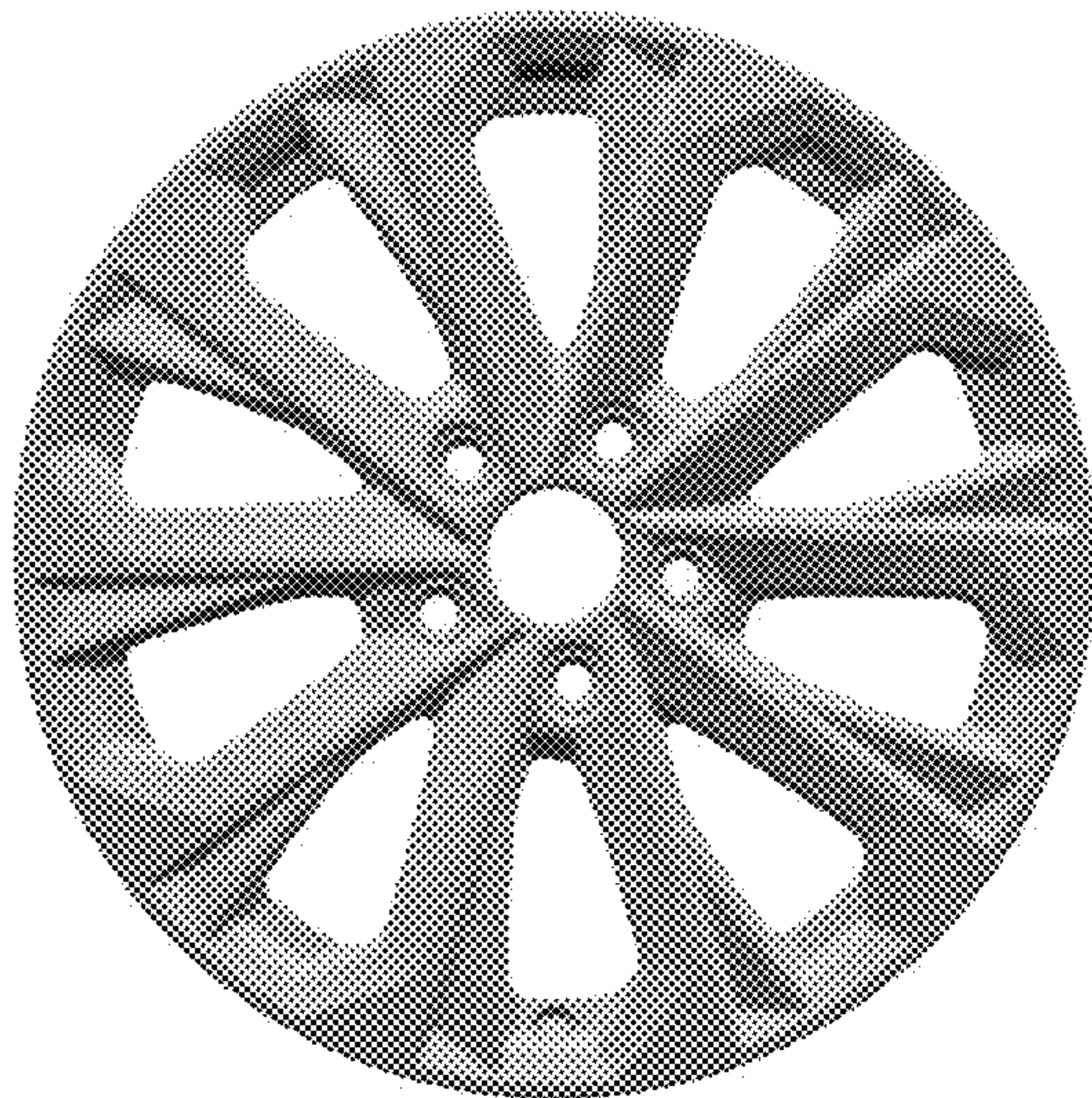
(57) **CLAIM**

The ornamental design for a vehicle wheel rim, as shown and described.

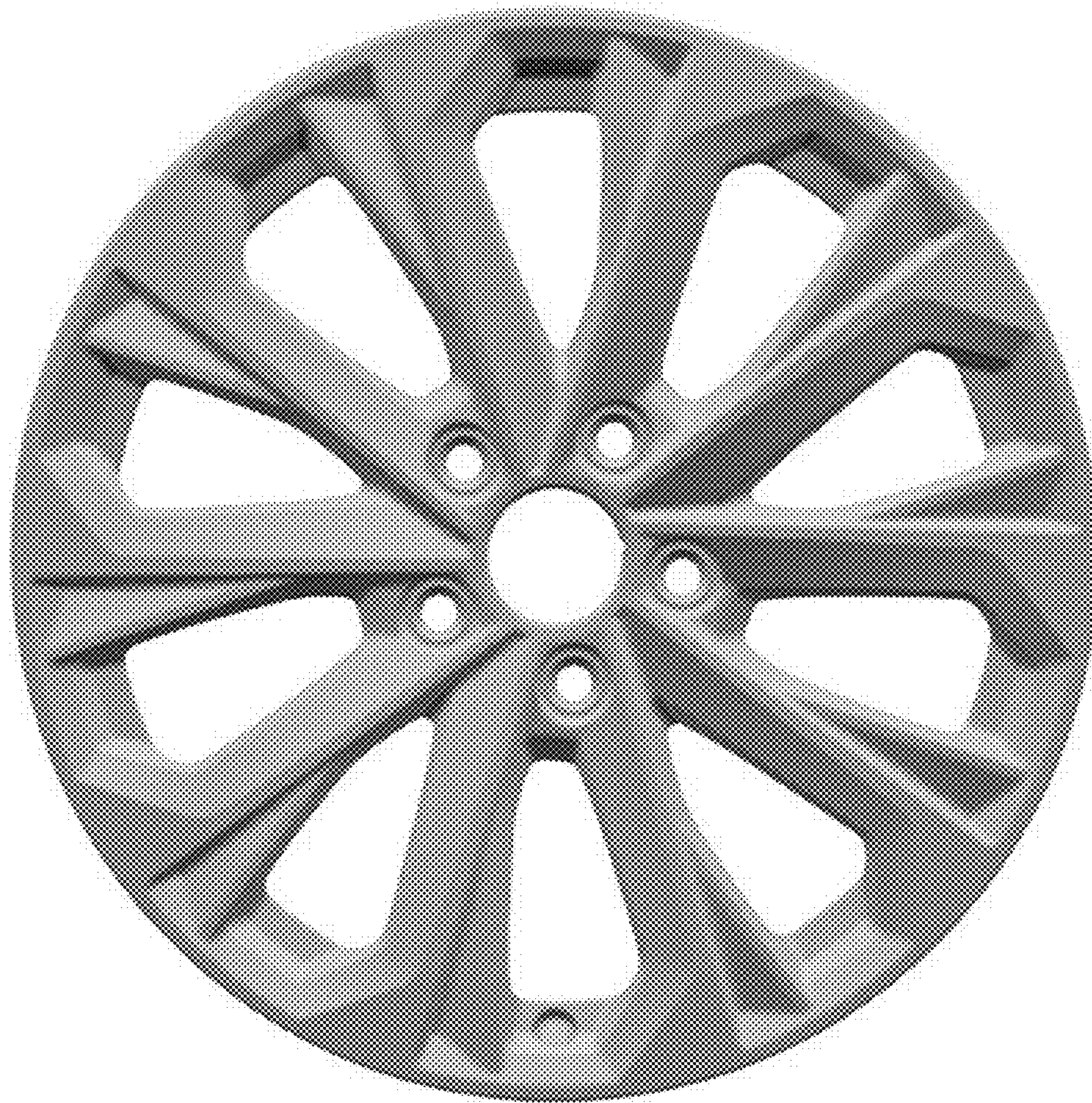
**DESCRIPTION**

FIG. 1 is a front view of the vehicle wheel rim of the present invention; and,  
FIG. 2 is a front, side perspective view thereof.

**1 Claim, 2 Drawing Sheets**

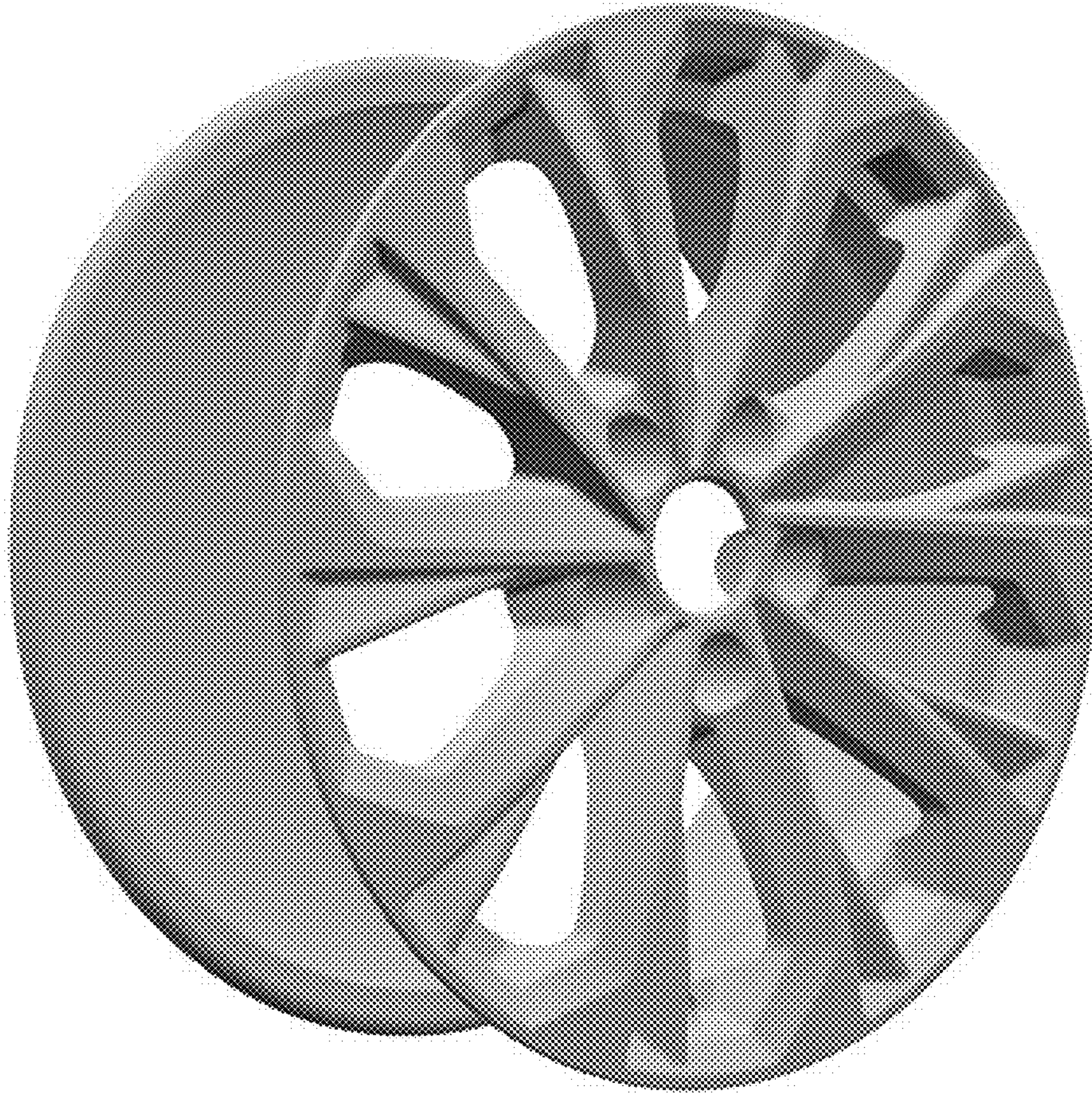






**Fig. 1**





**Fig. 2**