



US00D759563S

(12) **United States Design Patent**
Setter et al.

(10) **Patent No.:** **US D759,563 S**
(45) **Date of Patent:** **** Jun. 21, 2016**

(54) **WHEEL**

(71) Applicant: **Jaguar Land Rover Limited**, Coventry (GB)

(72) Inventors: **Adam Setter**, Coventry (GB); **Michael O'Neill**, Coventry (GB)

(73) Assignee: **Jaguar Land Rover Limited**, Whitley Coventry (GB)

(**) Term: **15 Years**

(21) Appl. No.: **29/532,695**

(22) Filed: **Jul. 9, 2015**

(30) **Foreign Application Priority Data**

Jan. 9, 2015 (EM) 002611020
Jul. 1, 2015 (EM) 002729772

(51) **LOC (10) Cl.** **12-16**

(52) **U.S. Cl.**
USPC **D12/209**

(58) **Field of Classification Search**
USPC D12/204–213
CPC B60B 7/00; B60B 7/02; B60B 7/04;
B60B 7/01; B60B 7/06; B60B 3/02; B60B
3/04; B60B 3/06; B60B 3/10; B60B 1/00;
B60B 1/08; B60B 1/10; B60B 1/12

See application file for complete search history.

(56) **References Cited**

U.S. PATENT DOCUMENTS

D493,761 S *	8/2004	Kang	D12/211
D581,853 S *	12/2008	Rak	D12/211
D594,396 S *	6/2009	Juergens	D12/209
D641,679 S *	7/2011	Vardis	D12/211
D677,209 S *	3/2013	Kono	D12/211
D693,284 S *	11/2013	Chen	D12/211
D697,003 S *	1/2014	Baum	D12/209
D697,004 S *	1/2014	Pollmann	D12/209
D704,120 S *	5/2014	Feuerherdt	D12/211
D727,823 S *	4/2015	Rueckheim	D12/209
D733,024 S *	6/2015	Valencia Pollex	D12/209
D746,752 S *	1/2016	Beaven	D12/209

* cited by examiner

Primary Examiner — Stacia Cadmus

(74) *Attorney, Agent, or Firm* — Wood, Herron & Evans, LLP

(57) **CLAIM**

The ornamental design for a wheel, as shown and described.

DESCRIPTION

FIG. 1 is a front perspective view of a wheel, showing our new design;

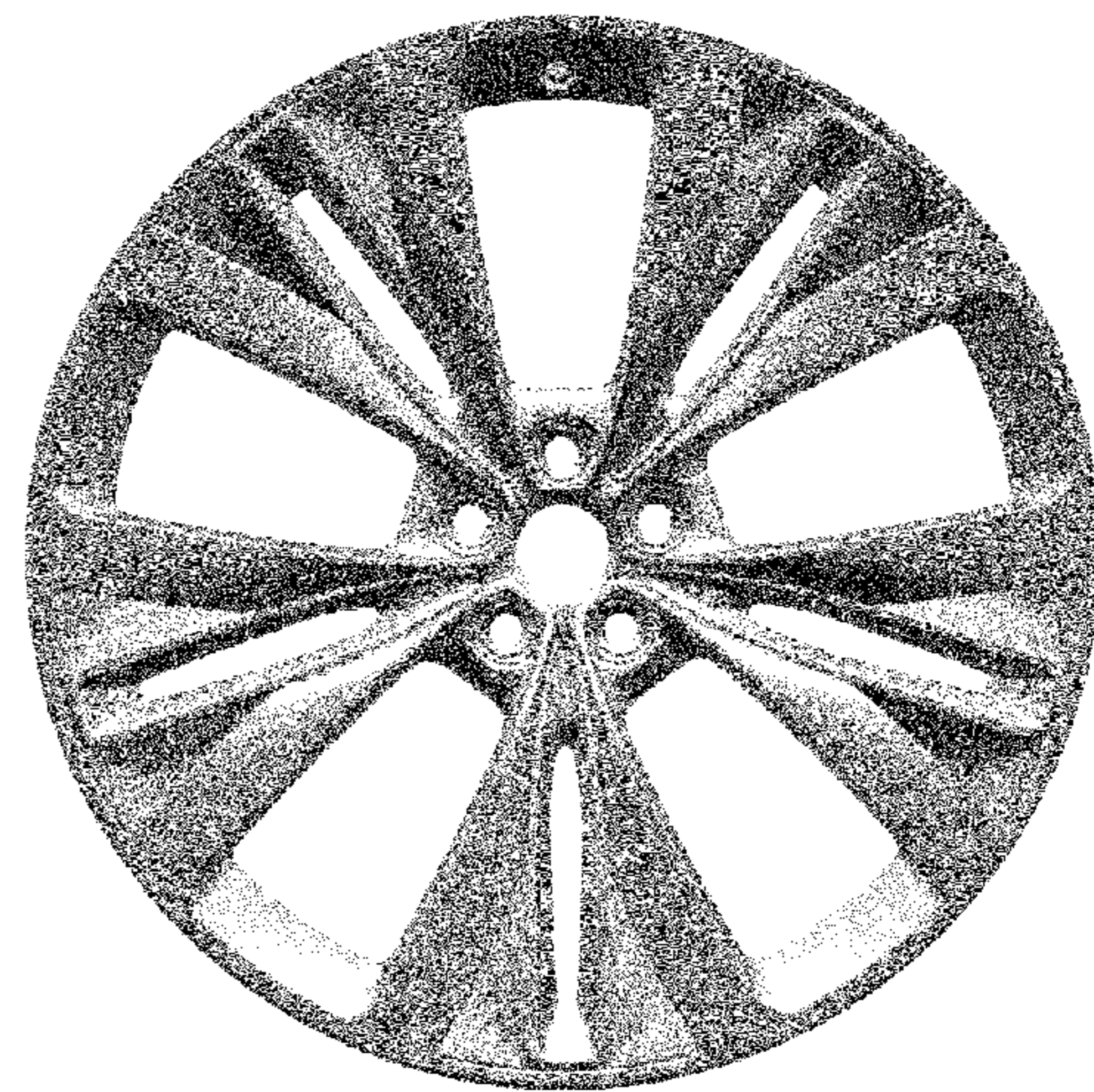
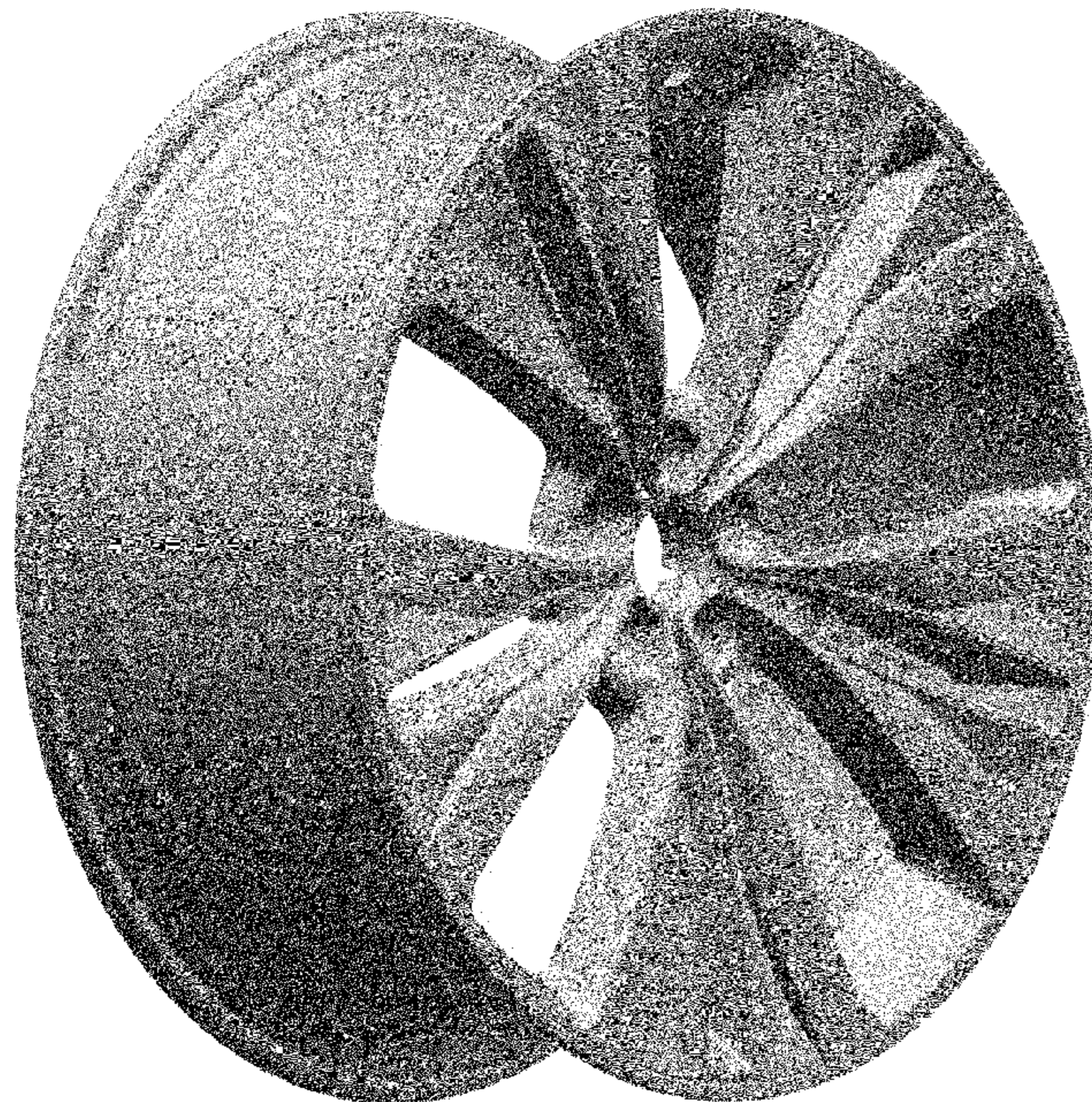
FIG. 2 is a front view thereof;

FIG. 3 is a left side view thereof;

FIG. 4 is a rear view thereof; and,

FIG. 5 is a rear perspective view thereof.

1 Claim, 3 Drawing Sheets



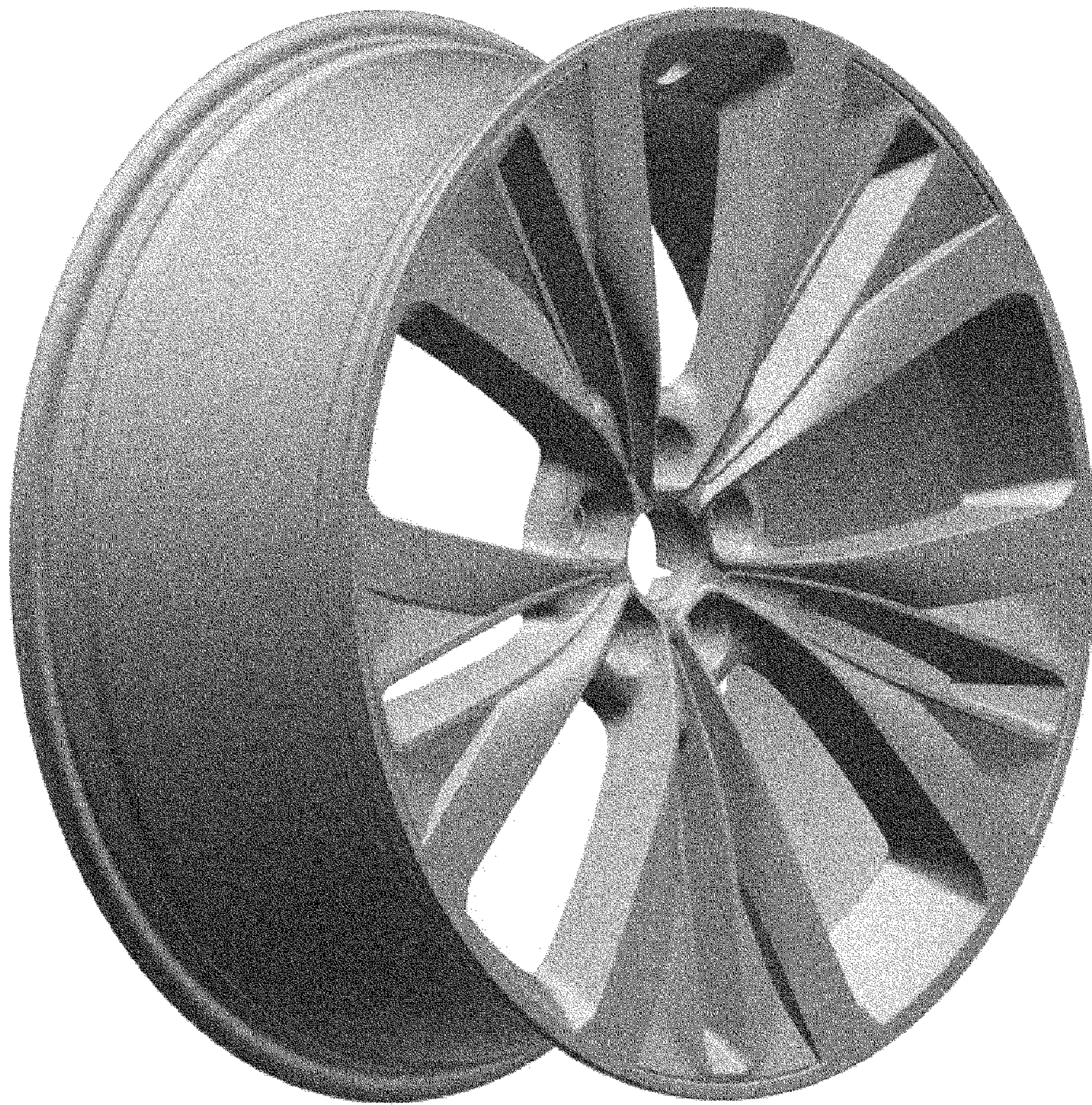


FIG. 1

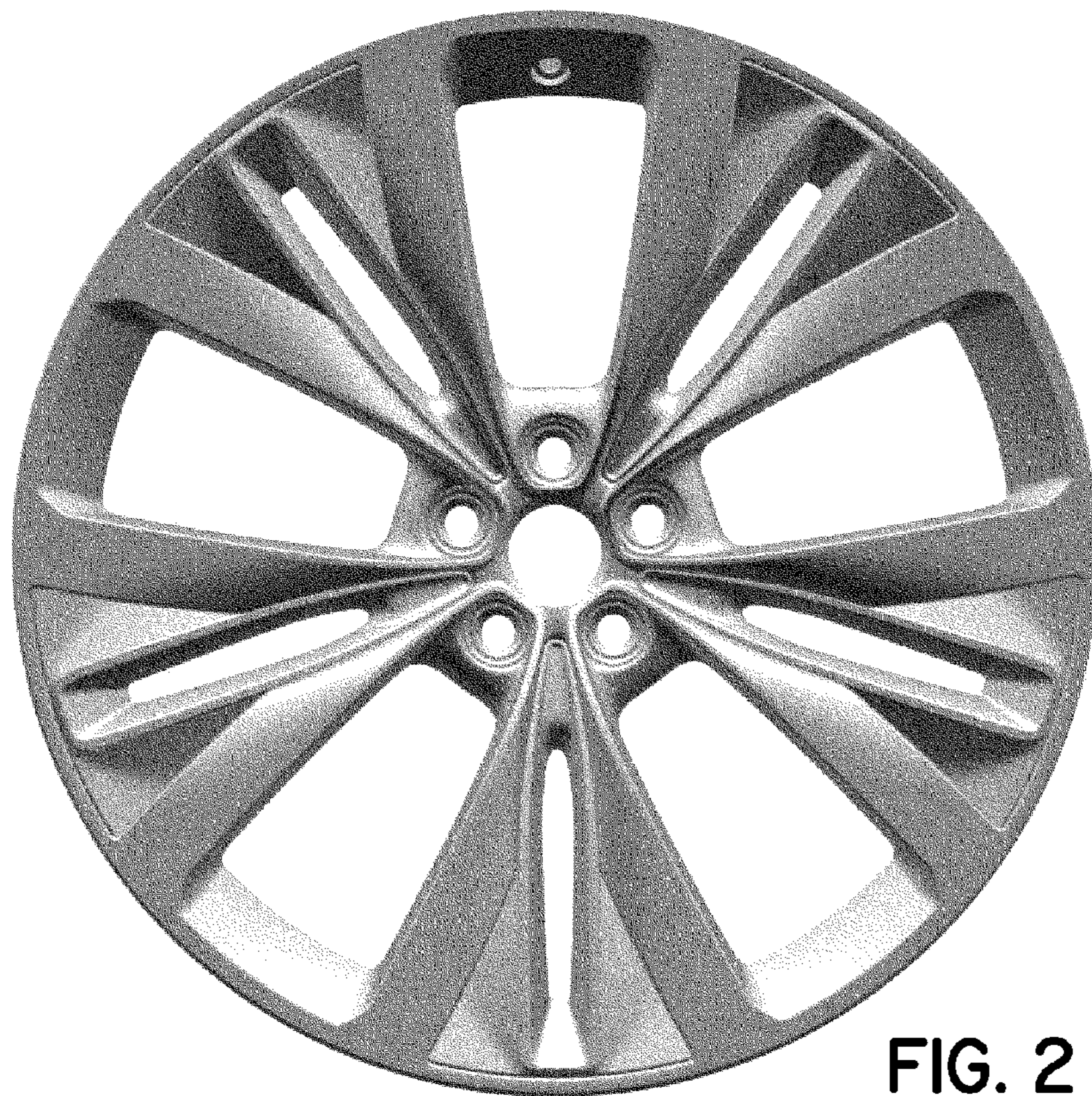


FIG. 2

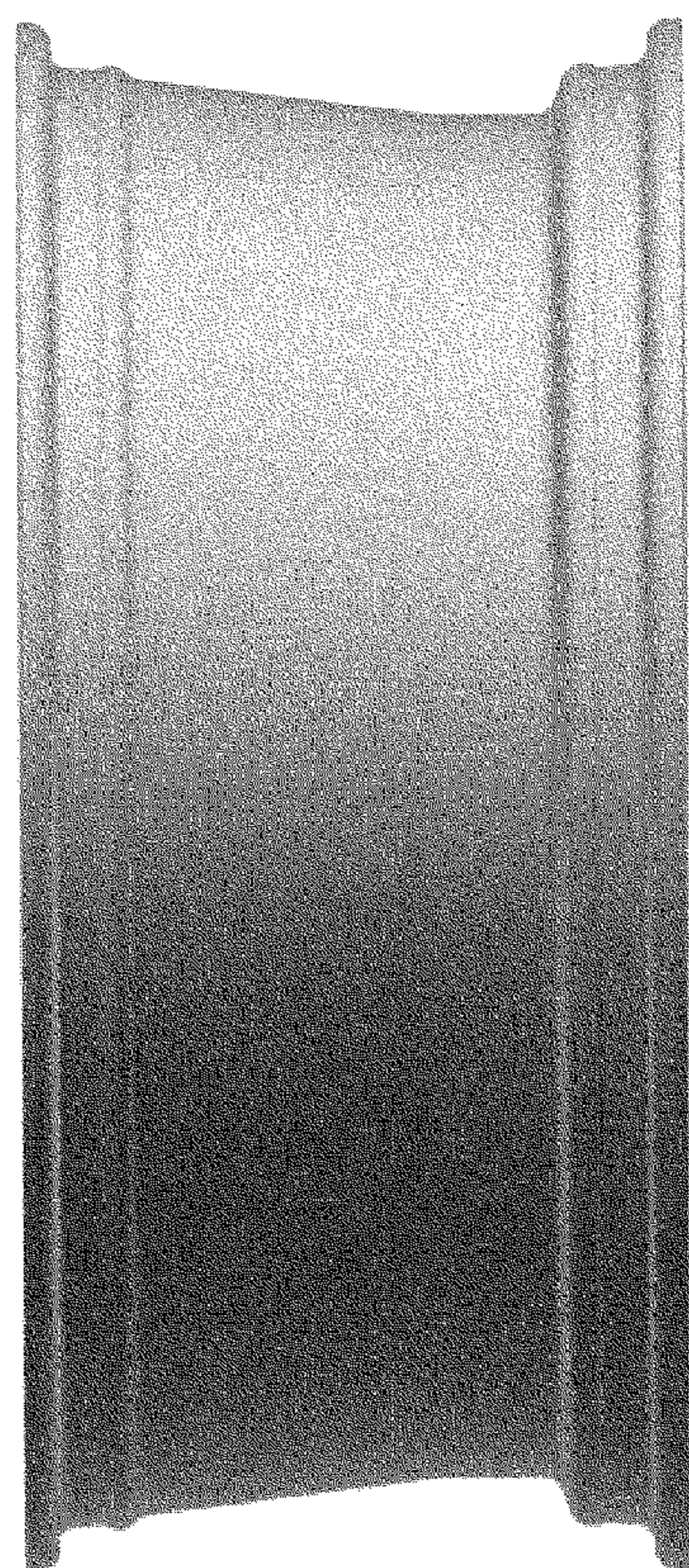


FIG. 3

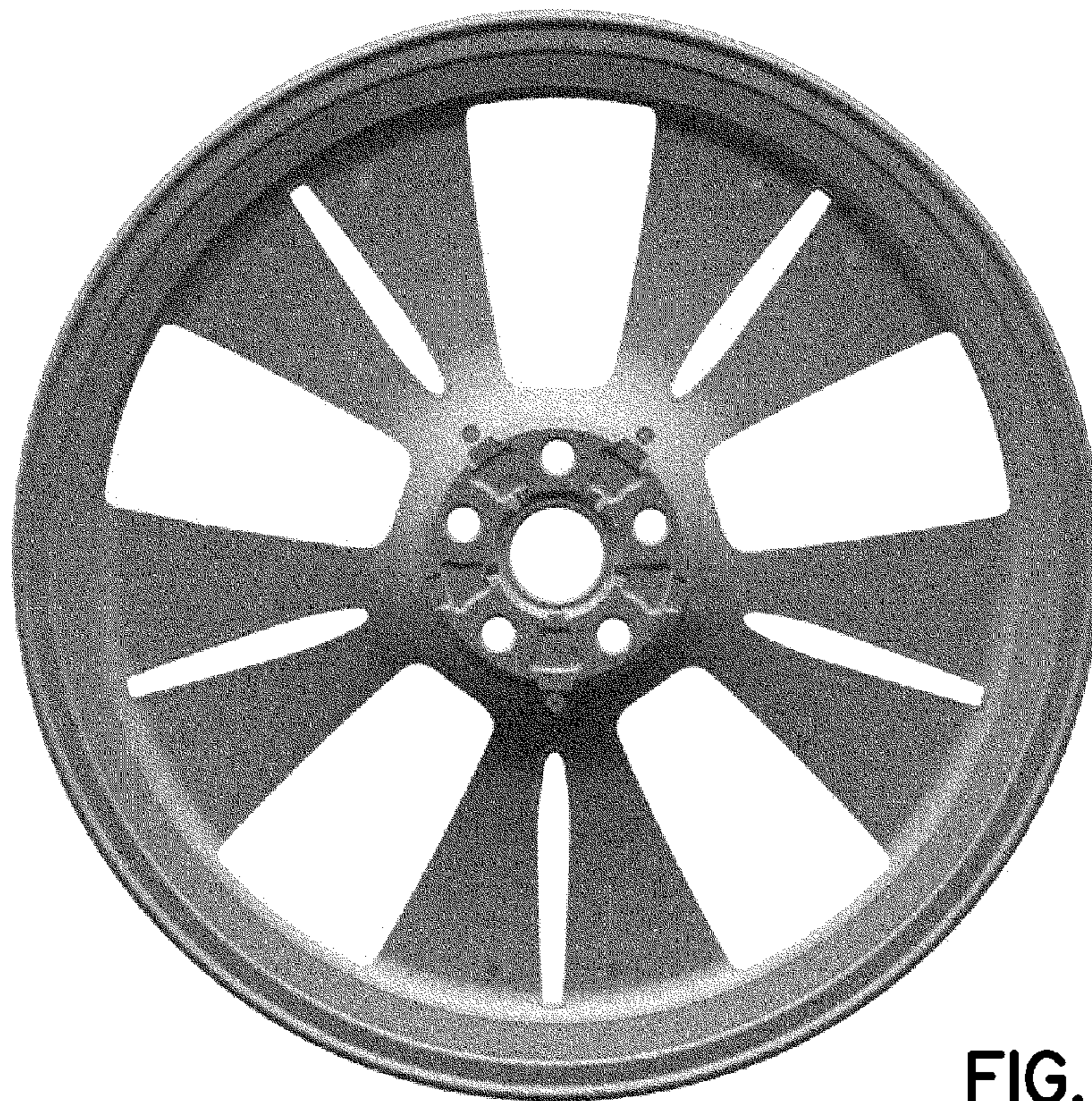


FIG. 4

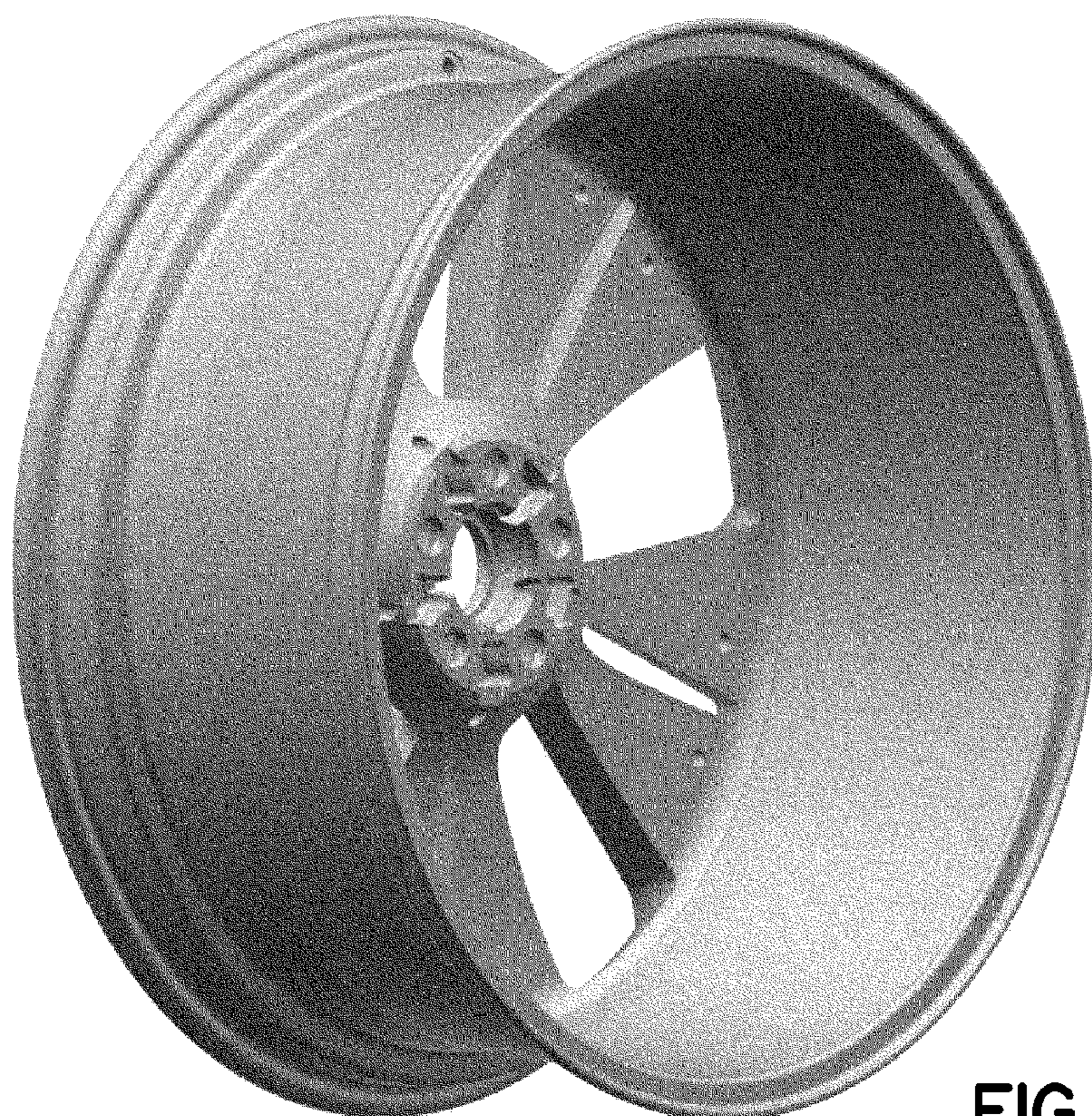


FIG. 5