



US00D759560S

(12) **United States Design Patent**
Lu

(10) **Patent No.:** **US D759,560 S**
(45) **Date of Patent:** **** Jun. 21, 2016**

(54) **VEHICLE WHEEL RIM**

(71) Applicant: **Kuo-wei Lu**, Los Angeles, CA (US)

(72) Inventor: **Kuo-wei Lu**, Los Angeles, CA (US)

(73) Assignee: **MRR Design Wheels Corp.**, City of Commerce, CA (US)

(**) Term: **14 Years**

(21) Appl. No.: **29/516,145**

(22) Filed: **Jan. 29, 2015**

(51) **LOC (10) Cl.** **12-16**

(52) **U.S. Cl.**
USPC **D12/209**

(58) **Field of Classification Search**
USPC D12/204–213
CPC B60B 7/00; B60B 7/02; B60B 7/04;
B60B 7/01; B60B 7/06; B60B 3/02; B60B
3/04; B60B 3/06; B60B 3/10; B60B 1/00;
B60B 1/08; B60B 1/10; B60B 1/12
See application file for complete search history.

(56) **References Cited**

U.S. PATENT DOCUMENTS

D163,644 S *	6/1951	Shive	D12/209
D325,189 S *	4/1992	Kapitza	D12/209
D351,581 S *	10/1994	Chung	D12/209
D361,320 S *	8/1995	Wise	D12/209
D363,912 S *	11/1995	Chung	D12/209
D382,847 S *	8/1997	Starr	D12/209
D386,738 S *	11/1997	Doyle	D12/209
D388,390 S *	12/1997	Chung	D12/209
D391,216 S *	2/1998	Bollmann	D12/209
D397,981 S *	9/1998	Cullen	D12/209

D400,153 S *	10/1998	Bhambra	D12/209
D404,702 S *	1/1999	Celeste	D12/211
D408,003 S *	4/1999	Sacco	D12/209
D415,092 S *	10/1999	Wang	D12/209
D430,841 S *	9/2000	Tanghetti	D12/209
D433,658 S *	11/2000	Donikoglu	D12/209
D437,576 S *	2/2001	Ir	D12/209
D438,160 S *	2/2001	Fitzgerald	D12/209
D441,338 S *	5/2001	Hussaini	D12/209
D451,061 S *	11/2001	Ishihara	D12/209
D451,065 S *	11/2001	Braun	D12/211
D452,673 S *	1/2002	Kuribayashi	D12/209
D453,492 S *	2/2002	Laengerer	D12/209
D453,913 S *	2/2002	Minamisawa	D12/209
D455,692 S *	4/2002	Iguchi	D12/209
D472,509 S *	4/2003	Laengerer	D12/209
D473,506 S *	4/2003	Laengerer	D12/211
D505,374 S *	5/2005	Aleman	D12/209
D514,494 S *	2/2006	Scheu	D12/209
D521,436 S *	5/2006	Meier	D12/209
D733,023 S *	6/2015	Ferrett	D12/209

* cited by examiner

Primary Examiner — Stacia Cadmus

(74) *Attorney, Agent, or Firm* — Jen-Feng Lee, Esq.

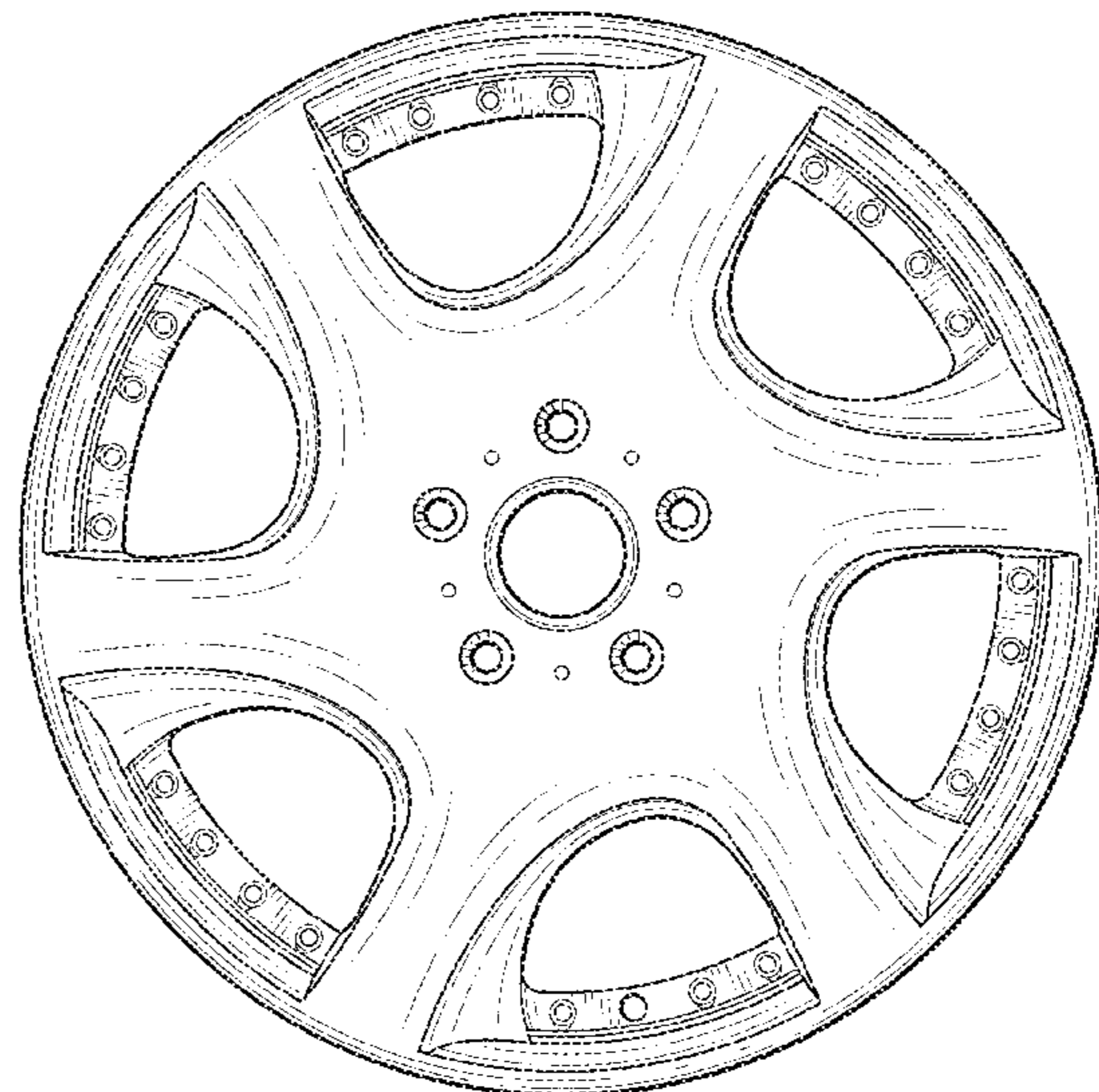
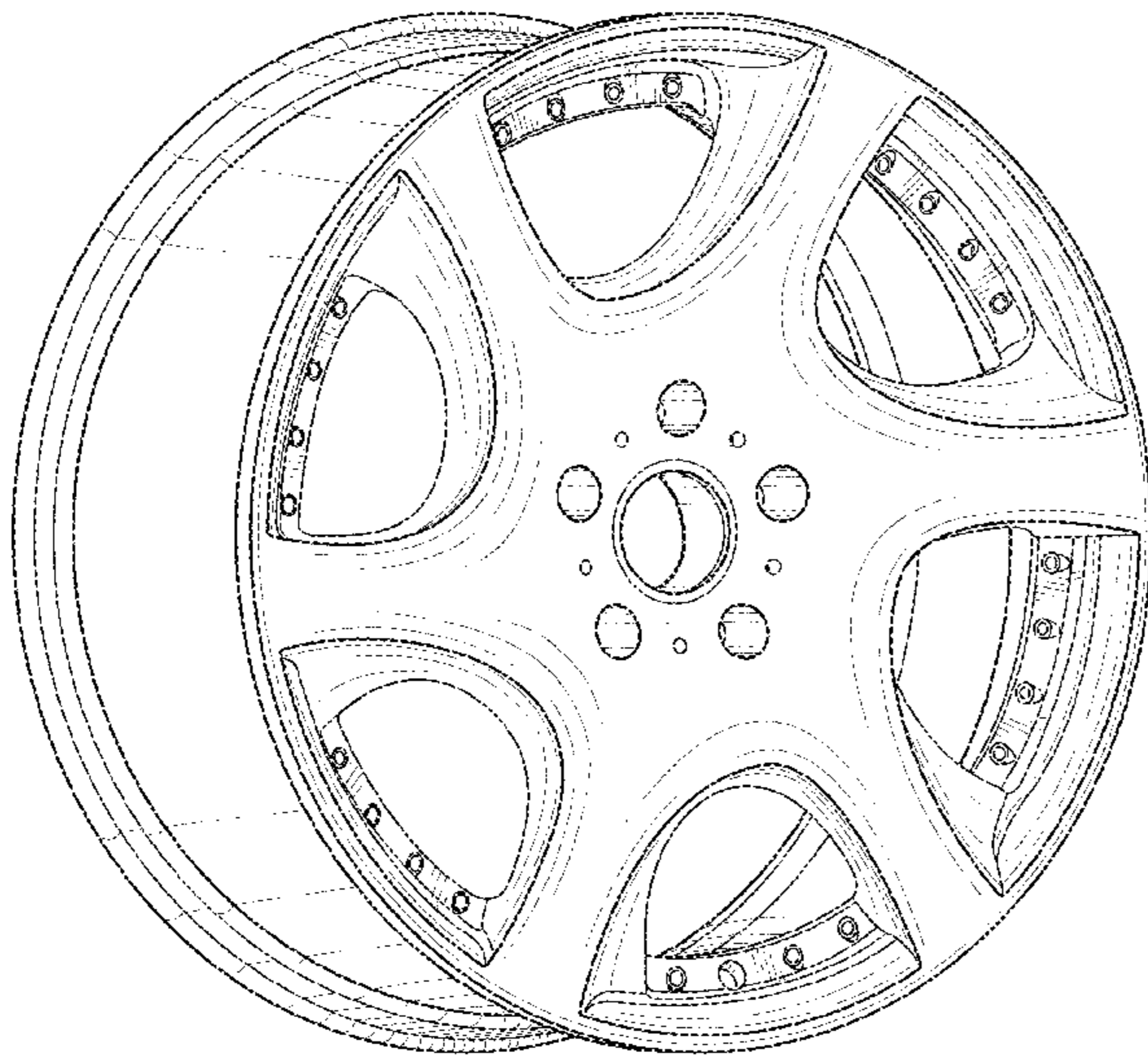
(57) **CLAIM**

I claim the ornamental design for a vehicle wheel rim, as shown and described.

DESCRIPTION

FIG. 1 is a perspective view of the front and left side of a vehicle wheel rim showing my new design, FIG. 2 is a perspective view of the rear and right side thereof, FIG. 3 is a front view thereof, FIG. 4 is a right side view thereof, FIG. 5 is a left side view thereof; and, FIG. 6 is a rear view thereof.

1 Claim, 6 Drawing Sheets



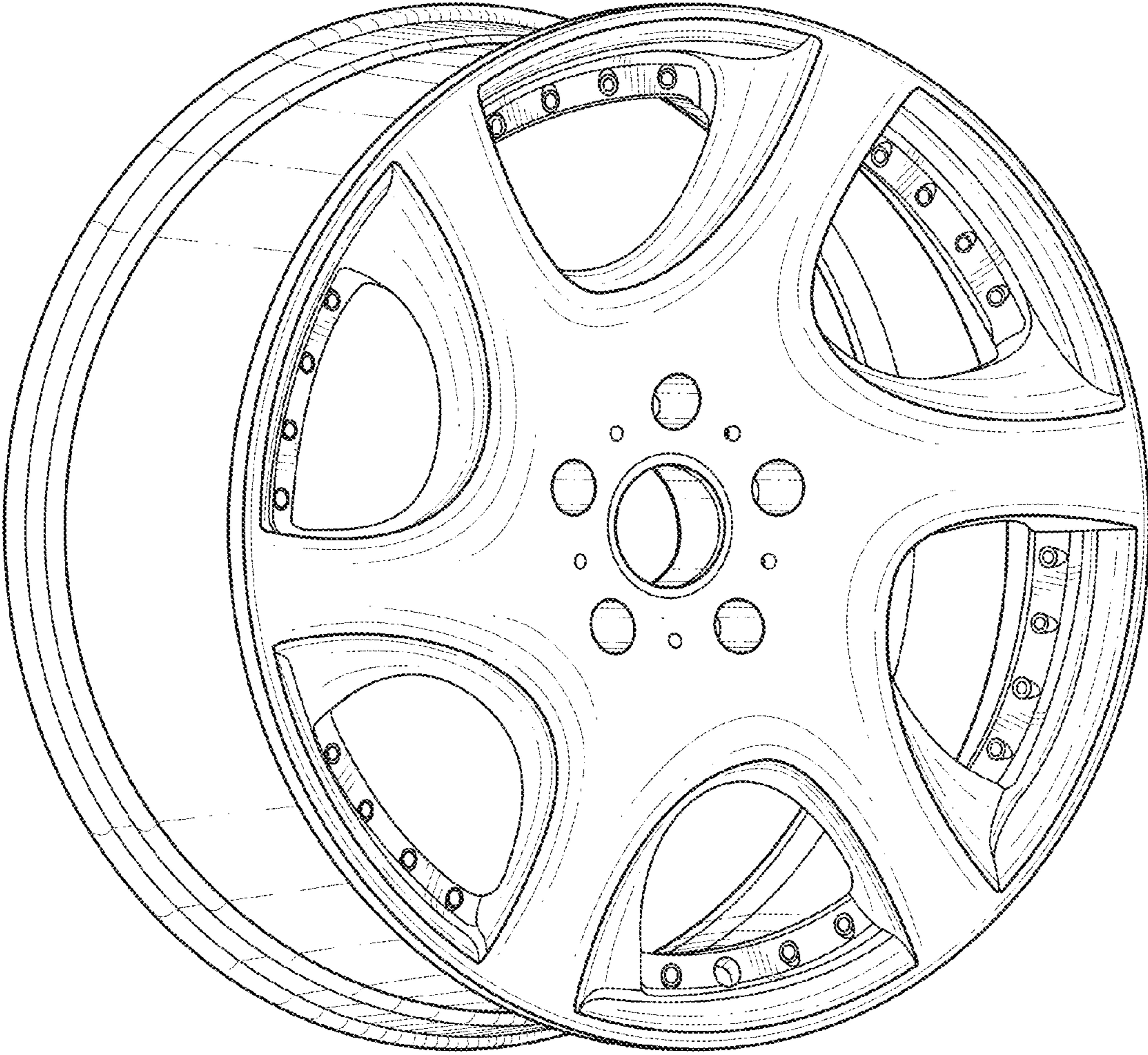


FIG. 1

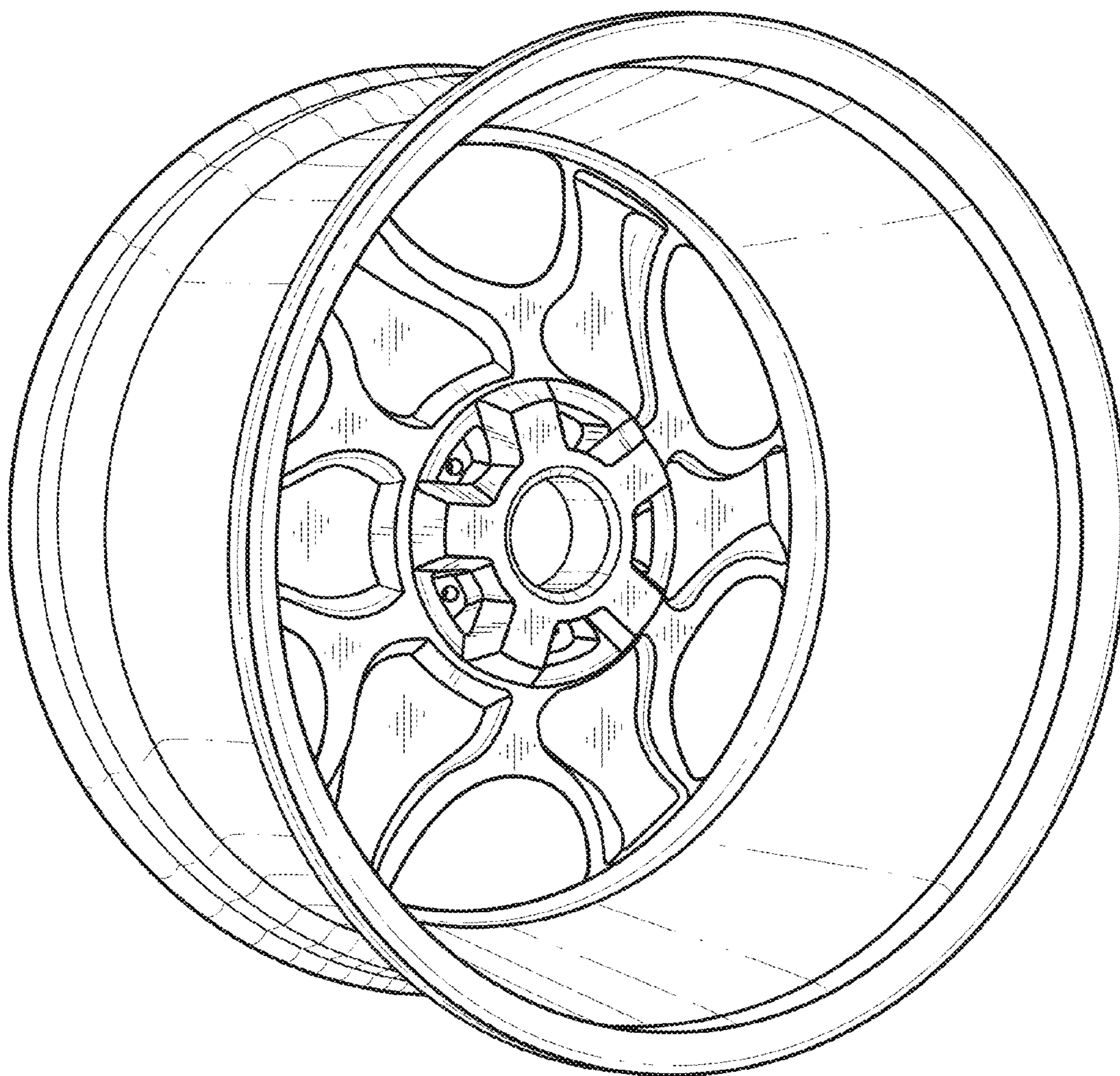


FIG. 2

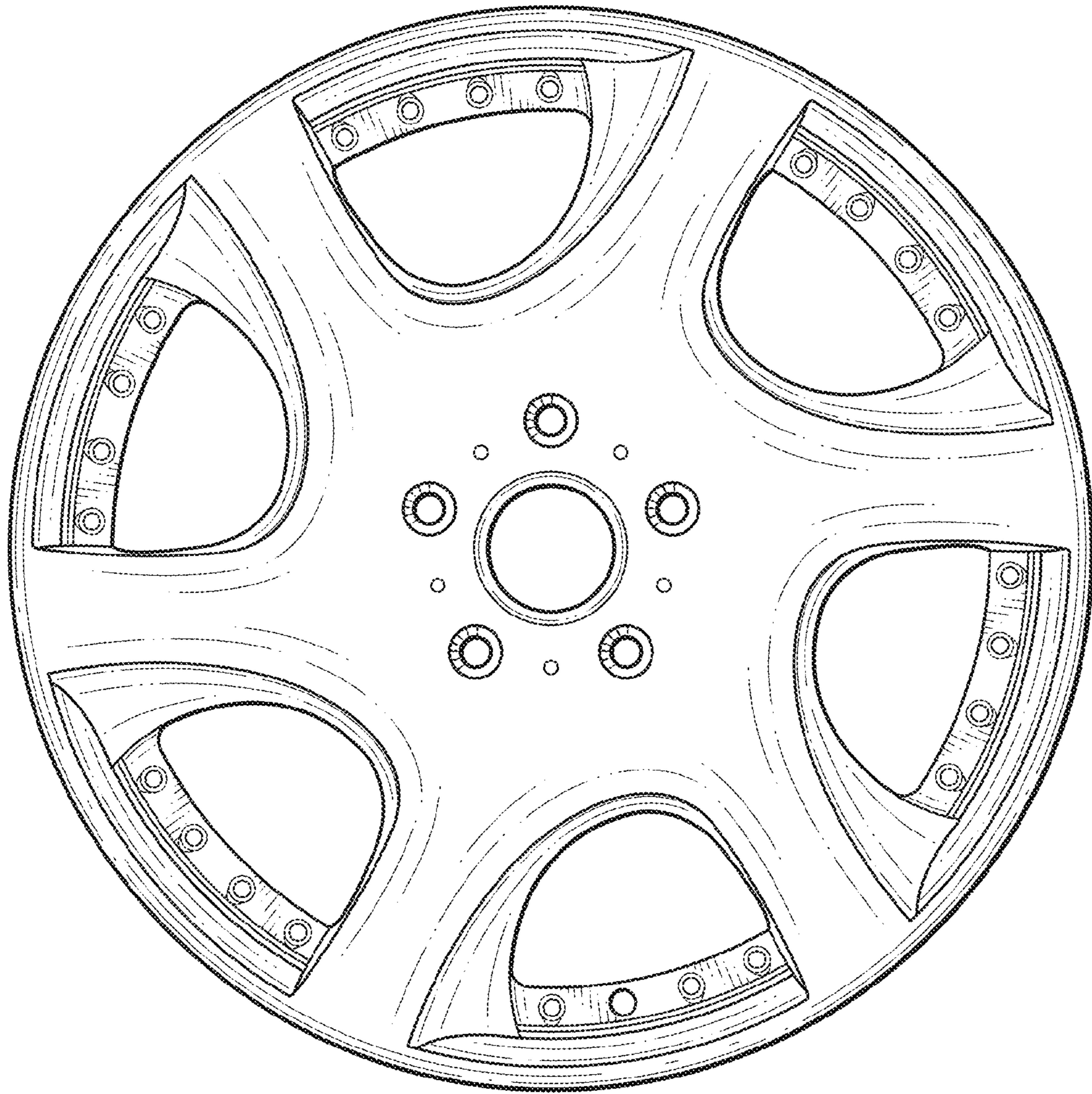


FIG. 3

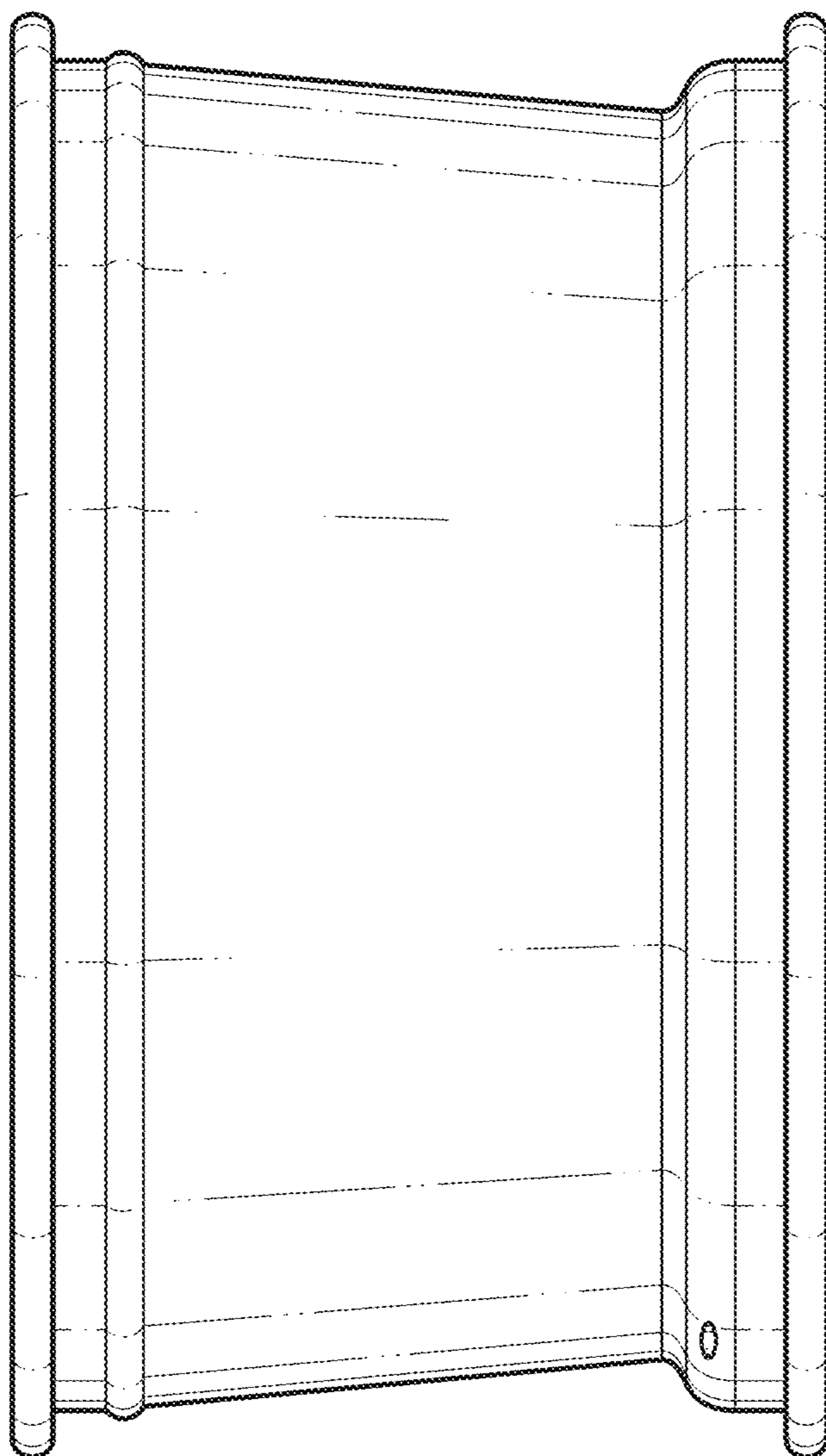


FIG. 4

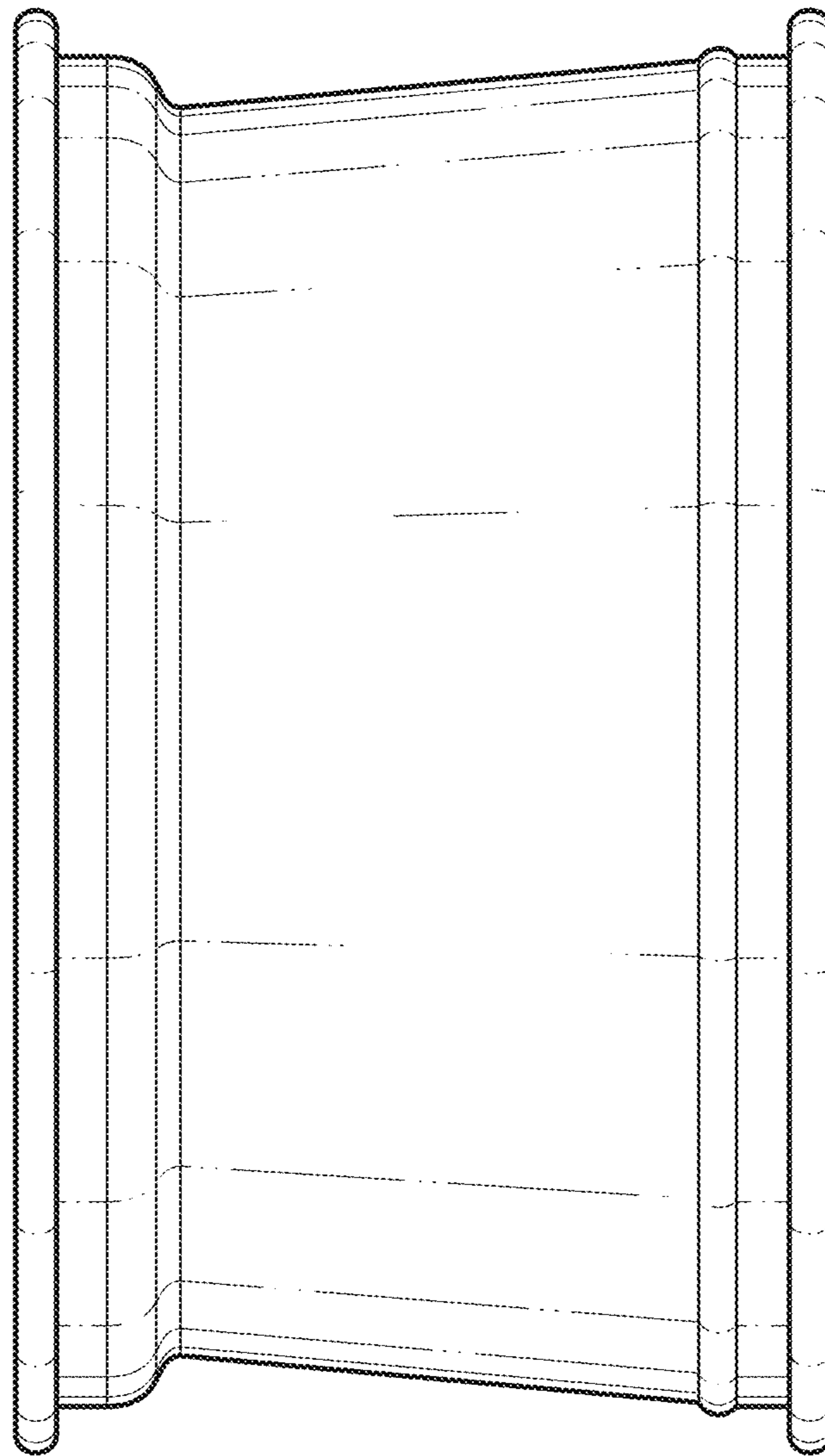


FIG. 5



FIG. 6