



US00D759558S

(12) **United States Design Patent**  
**Buffery**

(10) **Patent No.:** **US D759,558 S**  
(45) **Date of Patent:** **\*\* Jun. 21, 2016**

(54) **VEHICLE COMPONENT**

(56) **References Cited**

(71) Applicant: **Jaguar Land Rover Limited**, Coventry (GB)

U.S. PATENT DOCUMENTS

(72) Inventor: **Martin Buffery**, Coventry (GB)

D435,237 S *	12/2000	Damon .....	D12/196
D440,195 S *	4/2001	Damon .....	D12/196
D547,248 S *	7/2007	Schowalter .....	D12/195
D710,281 S *	8/2014	Tilscher .....	D12/195
D714,699 S *	10/2014	Conway .....	D12/195
D715,205 S *	10/2014	Conway .....	D12/195
D742,797 S *	11/2015	Sugiura .....	D12/195

(73) Assignee: **JAGUAR LAND ROVER LIMITED** (GB)

\* cited by examiner

(\*\*) Term: **14 Years**

*Primary Examiner* — Katrina A Betton

(21) Appl. No.: **29/515,246**

(74) *Attorney, Agent, or Firm* — Fishman Stewart PLLC

(22) Filed: **Jan. 21, 2015**

(57) **CLAIM**

The ornamental design for a vehicle component, as shown and described.

(30) **Foreign Application Priority Data**

**DESCRIPTION**

Jul. 22, 2014 (EP) ..... 002507285

(51) **LOC (10) Cl.** ..... **12-16**

(52) **U.S. Cl.**  
USPC ..... **D12/195**

(58) **Field of Classification Search**  
USPC ..... D12/195, 193, 414, 190, 196; D10/46,  
D10/98, 102-103; D8/302-303; D15/17, 28  
CPC ..... B60J 5/04; B60N 2/466; B60N 2/4693;  
B60R 13/0243; B60R 13/02  
See application file for complete search history.

FIG. 1 is a front perspective view of a vehicle component;  
FIG. 2 is a rear perspective view of a vehicle component;  
FIG. 3 is a front view of a vehicle component;  
FIG. 4 is a rear view of a vehicle component;  
FIG. 5 is a left perspective side view of a vehicle component;  
FIG. 6 is a right perspective side view of a vehicle component;  
FIG. 7 is a top view of a vehicle component; and,  
FIG. 8 is a supplemental rear perspective view of vehicle component in the installed position on vehicle.  
Portions of FIG. 8 shown in diagonal lines are for illustrative purposes only and form no part of the claimed design.

**1 Claim, 4 Drawing Sheets**



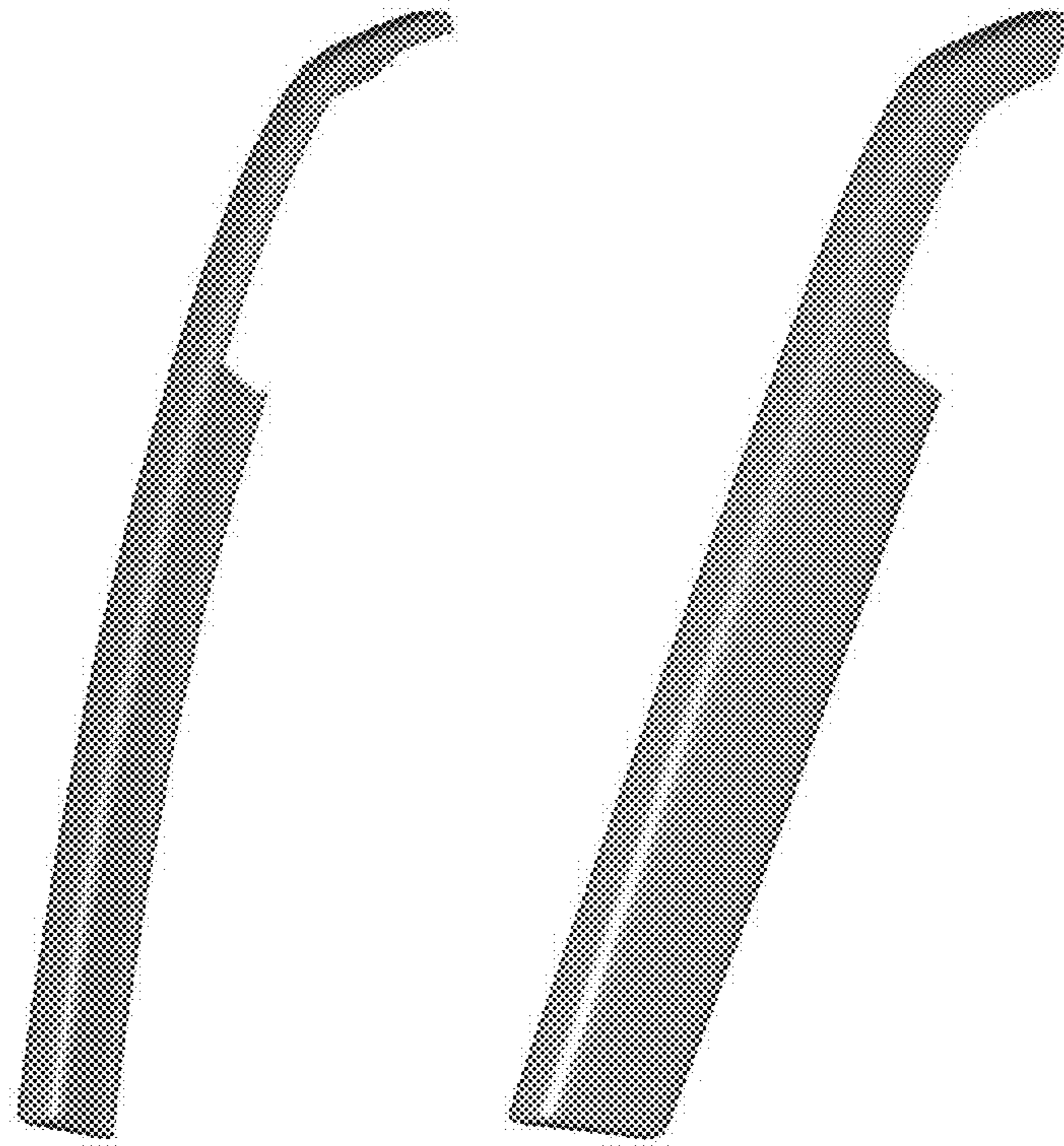


FIG. 1

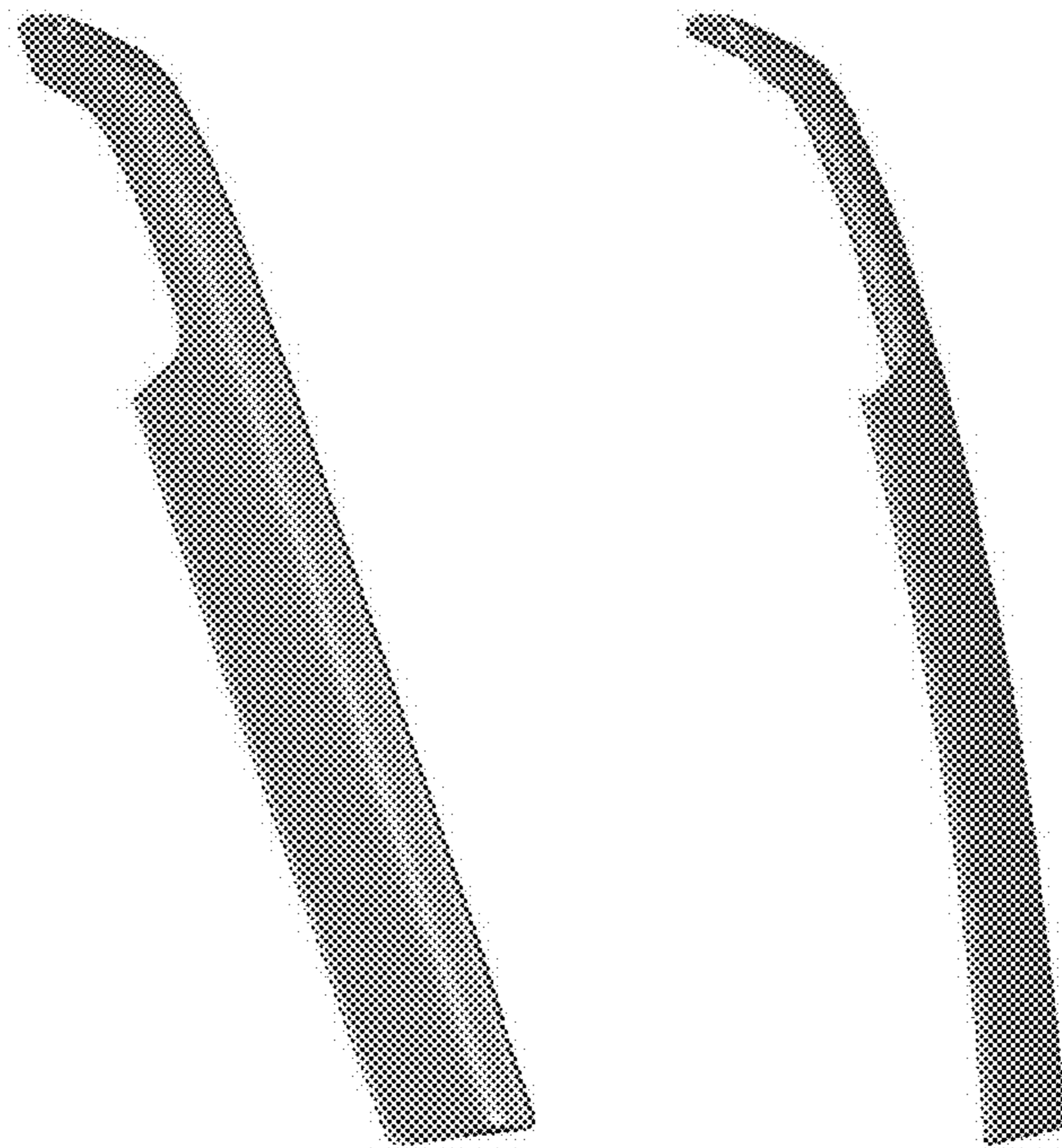


FIG. 2

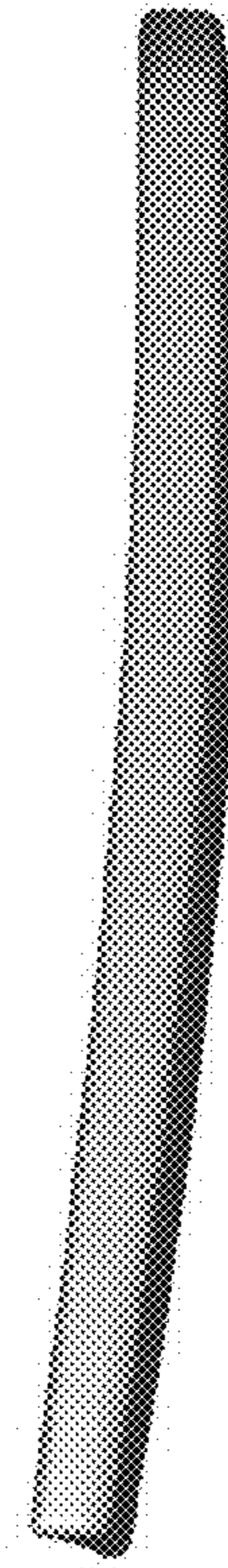
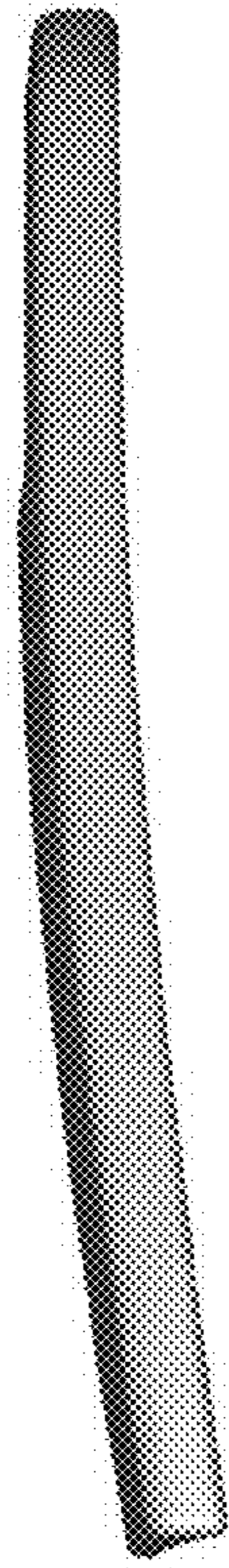


FIG. 3

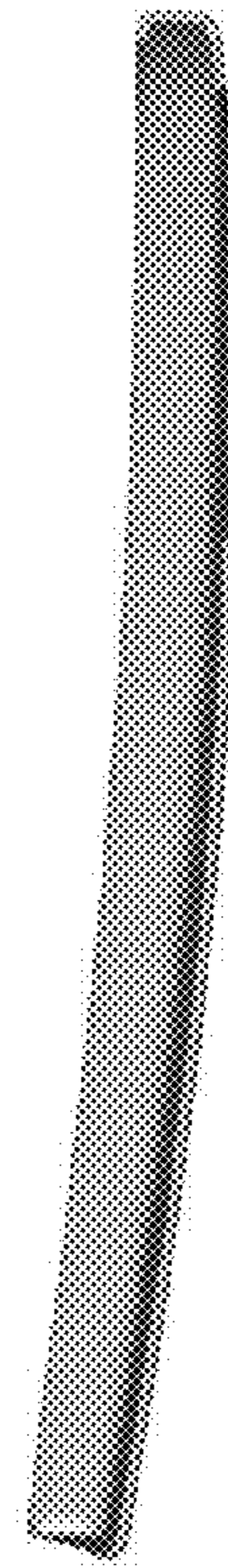
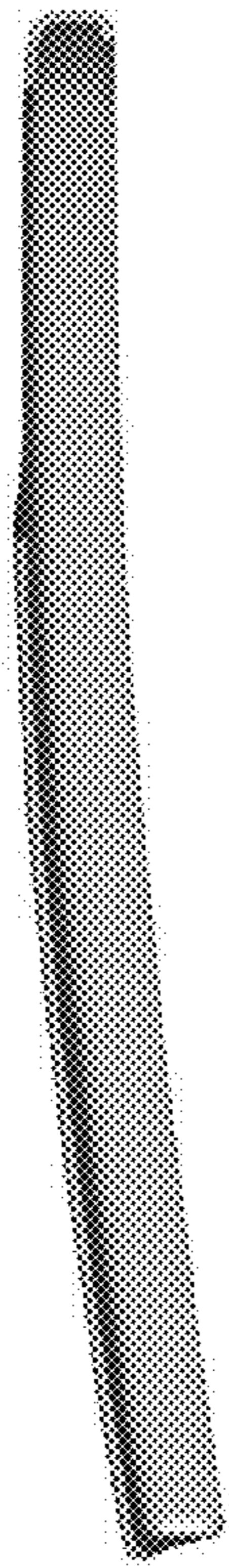


FIG. 4

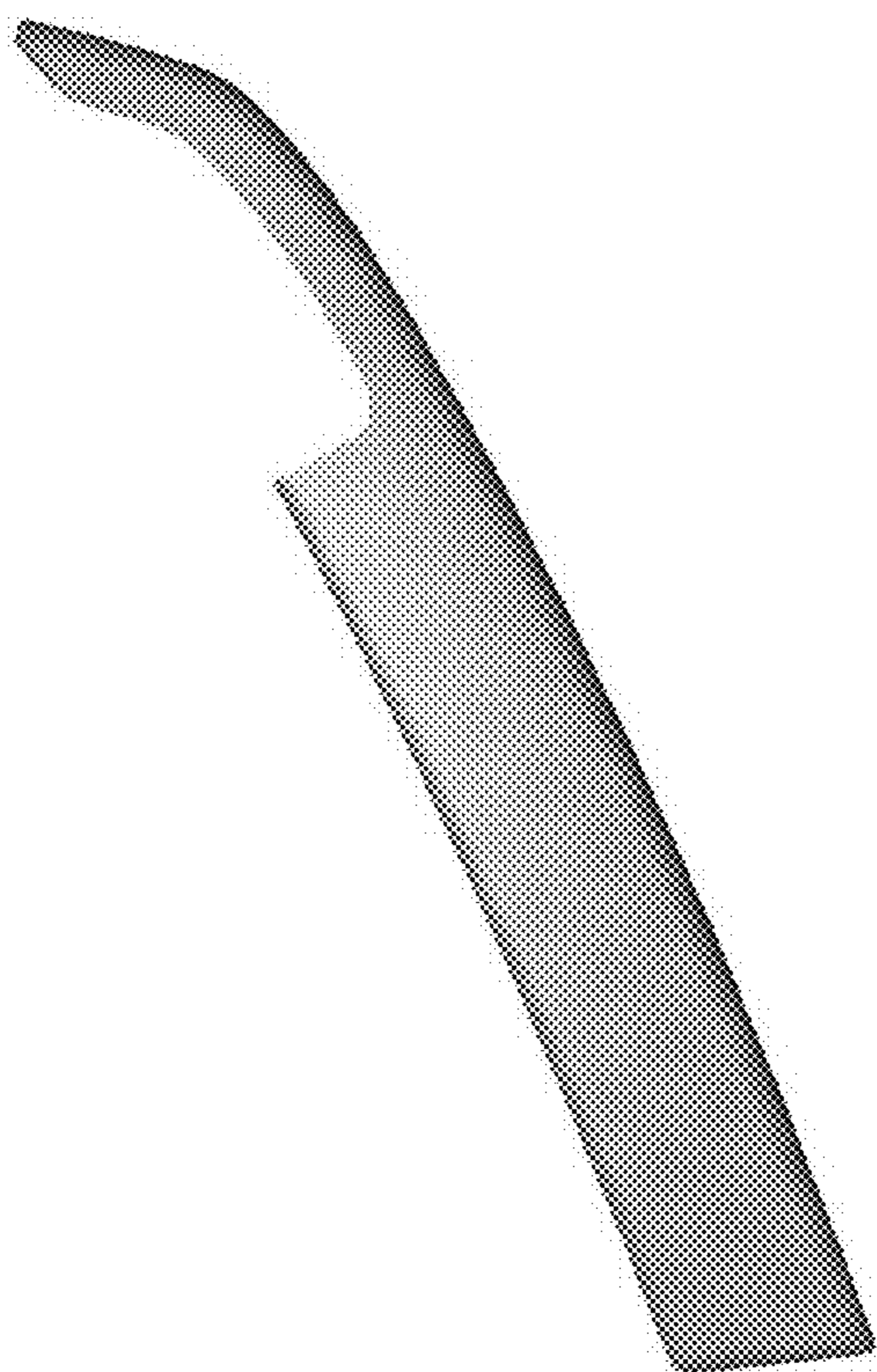


FIG. 5

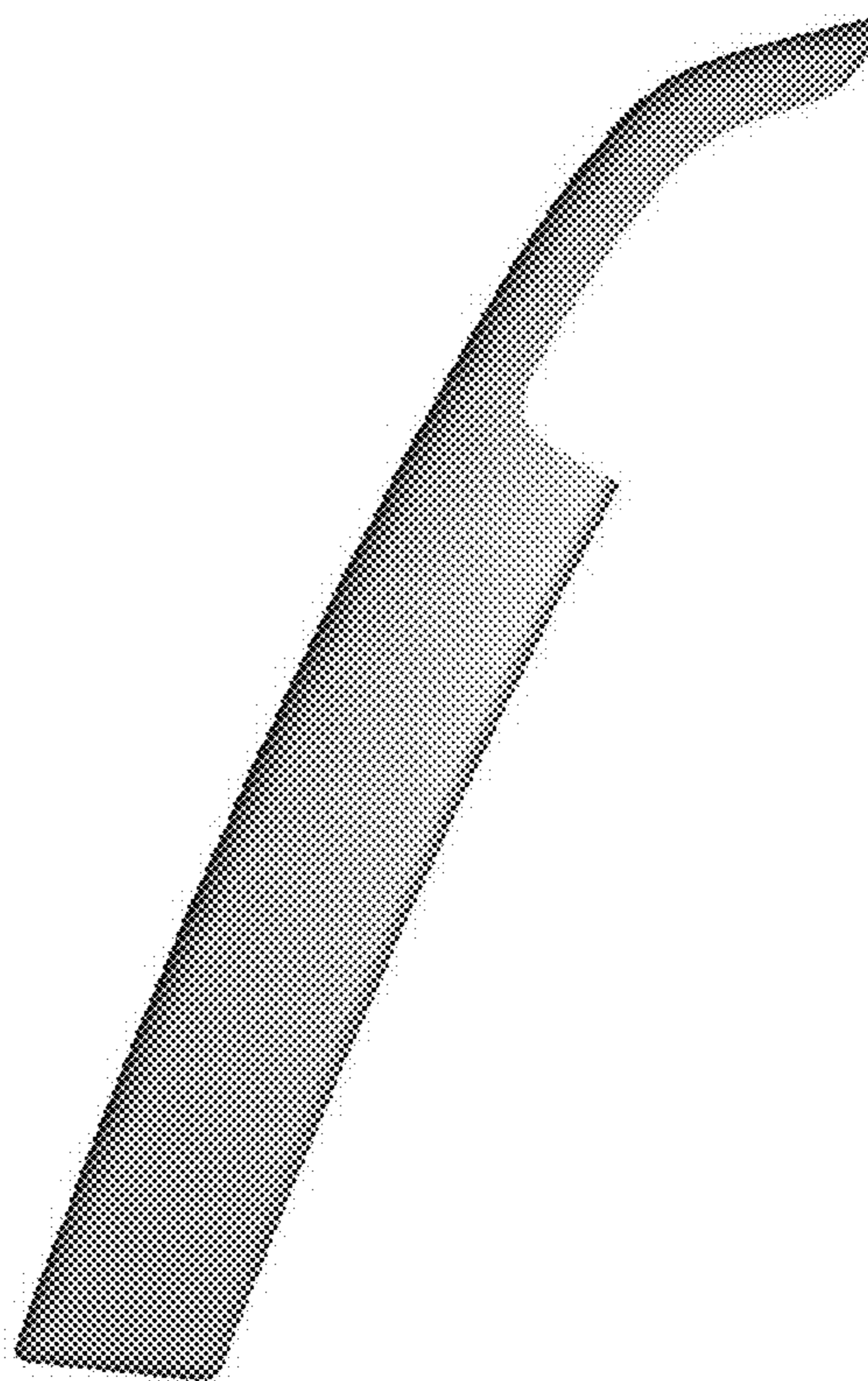


FIG. 6

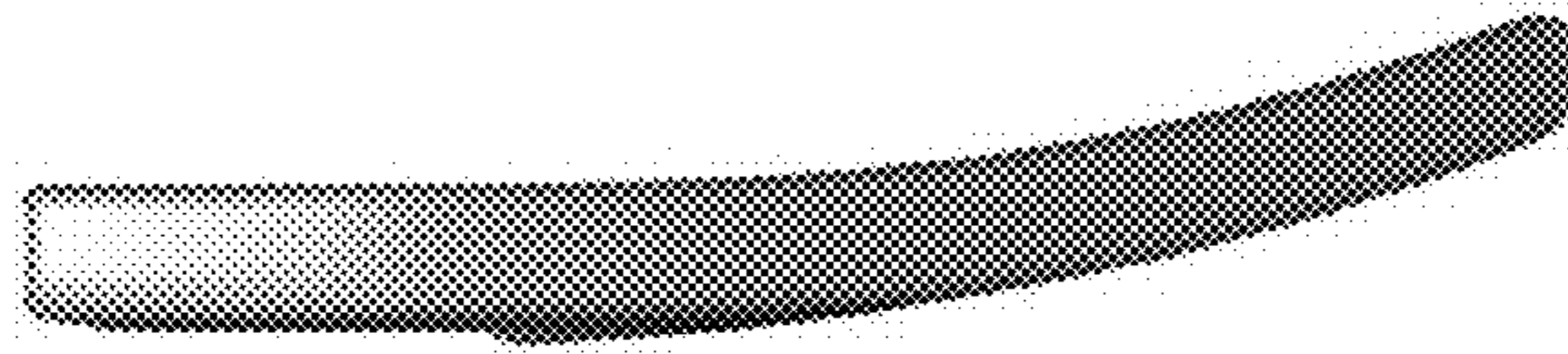
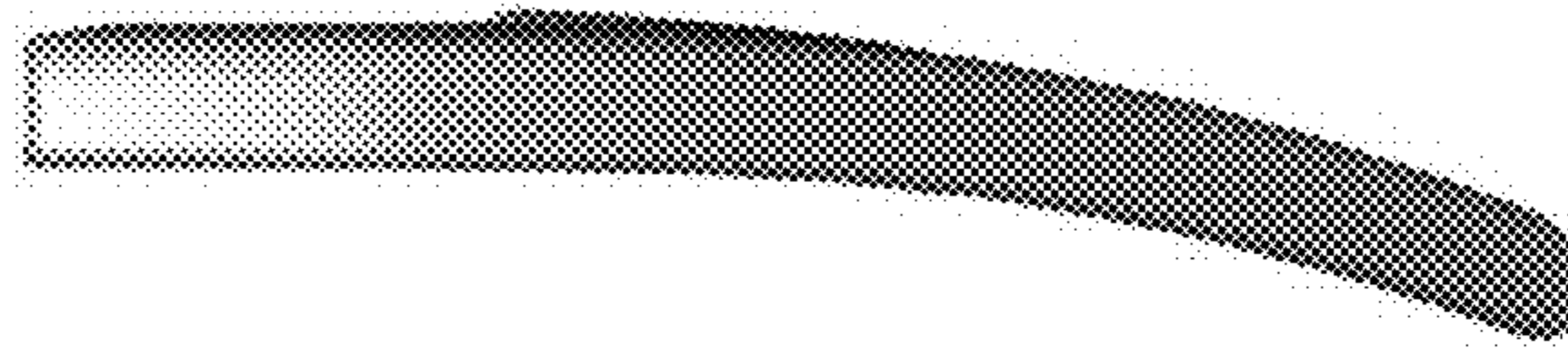


FIG. 7



FIG. 8