



US00D759557S

(12) **United States Design Patent**
Suesse

(10) **Patent No.:** **US D759,557 S**
(45) **Date of Patent:** **** Jun. 21, 2016**

(54) **FOLDING MOTORCYCLE MIRROR**

(71) Applicant: **Ned Andrew Suesse**, Colorado Springs,
CO (US)

(72) Inventor: **Ned Andrew Suesse**, Colorado Springs,
CO (US)

(**) Term: **14 Years**

(21) Appl. No.: **29/526,227**

(22) Filed: **May 7, 2015**

(51) **LOC (10) Cl.** **12-06**

(52) **U.S. Cl.**
USPC **D12/187**

(58) **Field of Classification Search**
USPC D12/187-189, 96; D6/300, 309
CPC B60R 1/076; G02B 7/18; G02B 7/182;
G02B 5/08

See application file for complete search history.

(56) **References Cited**

U.S. PATENT DOCUMENTS

4,991,814 A * 2/1991 Schmidt B60R 1/0605
248/479
D575,710 S * 8/2008 Zimmer D12/187

D579,840 S * 11/2008 Scott D12/187
7,621,555 B2 * 11/2009 Wilkinson B60D 1/36
280/477
D723,439 S * 3/2015 Milbank D12/187
D727,230 S * 4/2015 Kao D12/187
D751,477 S * 3/2016 Ting D12/187
2005/0237643 A1 * 10/2005 Wu B62J 29/00
359/871

* cited by examiner

Primary Examiner — Katrina A Betton

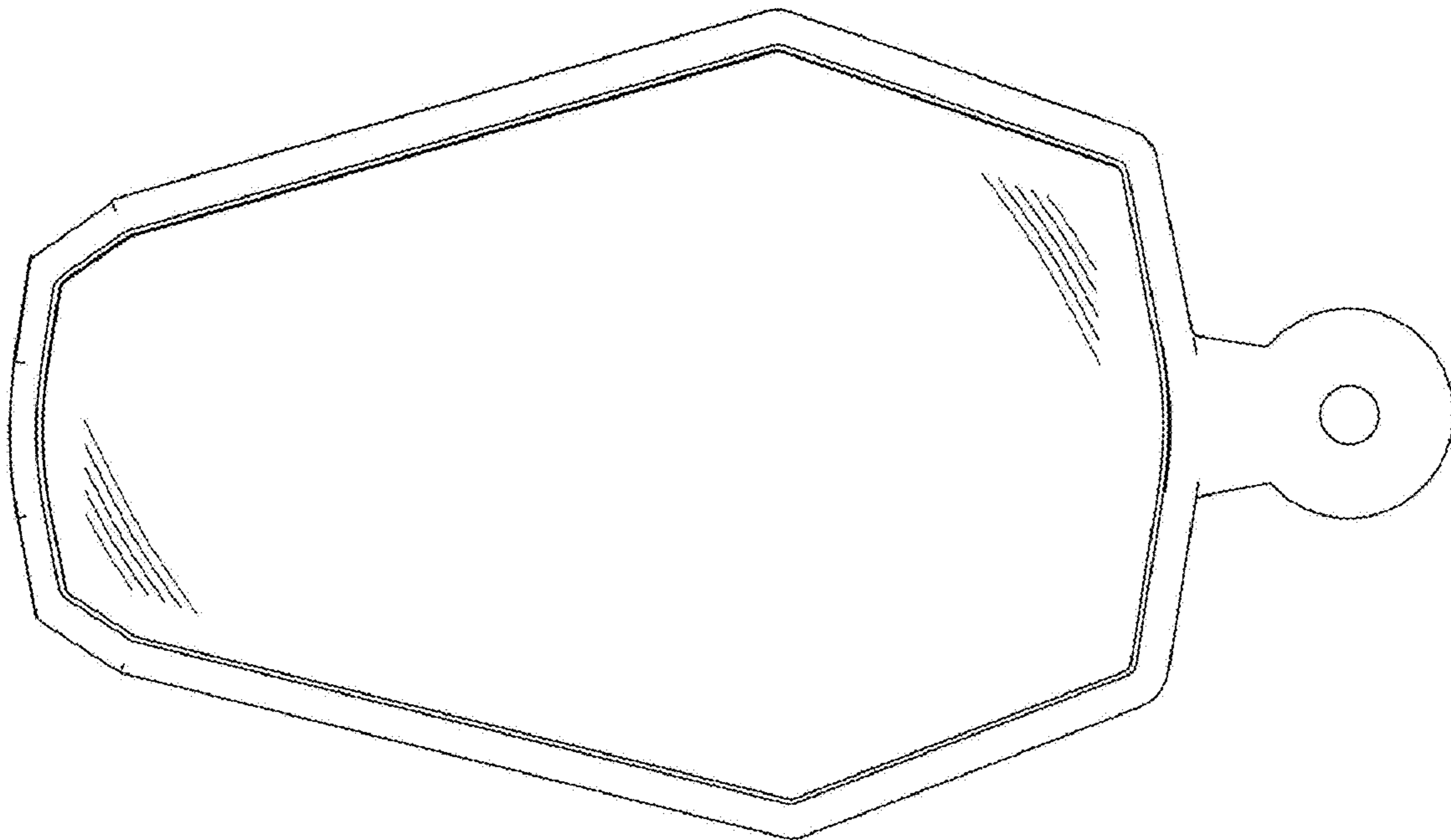
(57) **CLAIM**

The ornamental design for a folding motorcycle mirror, as shown.

DESCRIPTION

FIG. 1 is a front view of a folding motorcycle mirror in accordance with an embodiment;
FIG. 2 is a back view of the folding motorcycle mirror of FIG. 1;
FIG. 3 is a side view of the folding motorcycle mirror of FIG. 1;
FIG. 4 is an angled front view of the folding motorcycle mirror of FIG. 1; and,
FIG. 5 is an angled back view of the folding motorcycle mirror of FIG. 1.

1 Claim, 5 Drawing Sheets



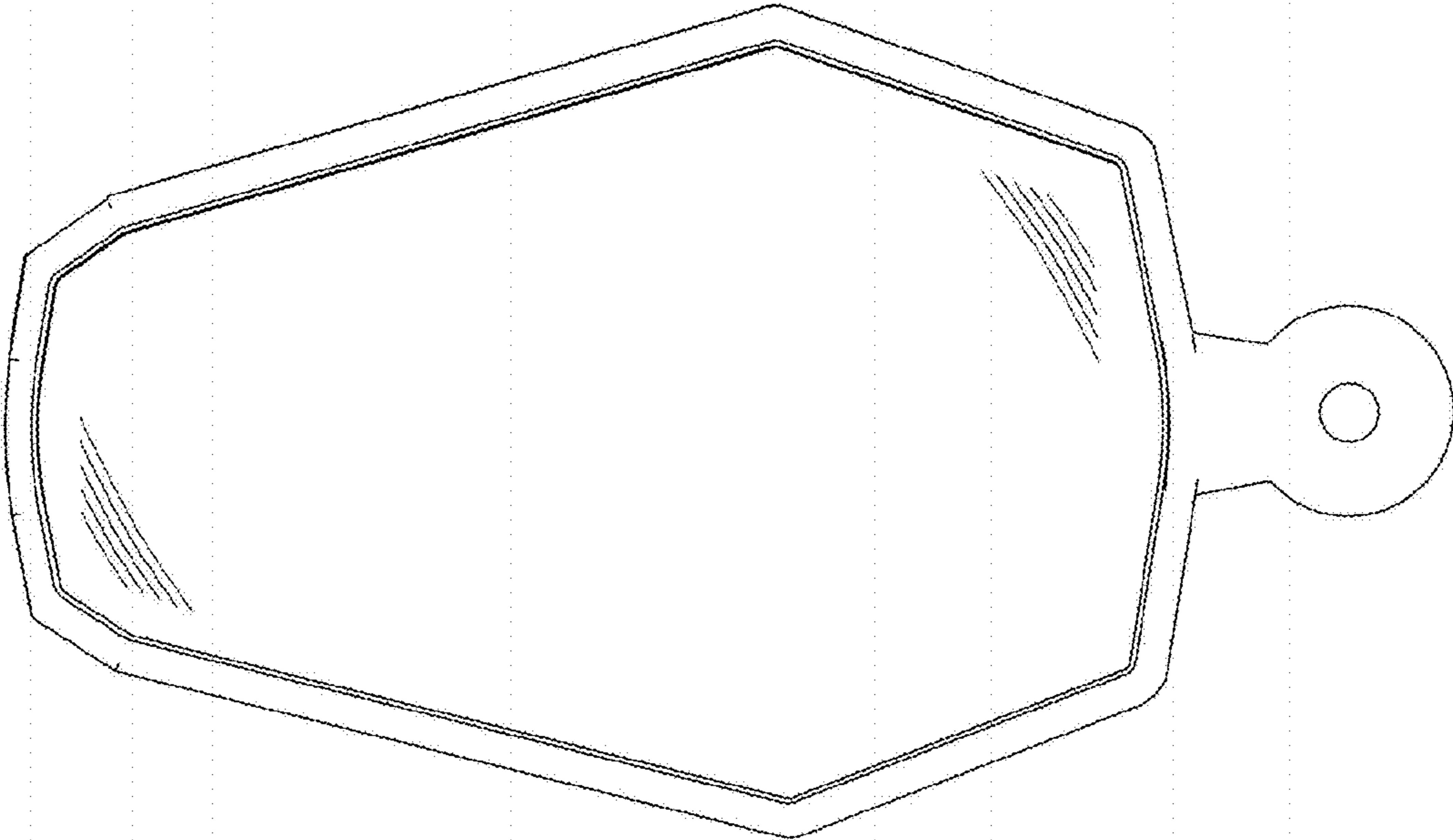


Figure 1

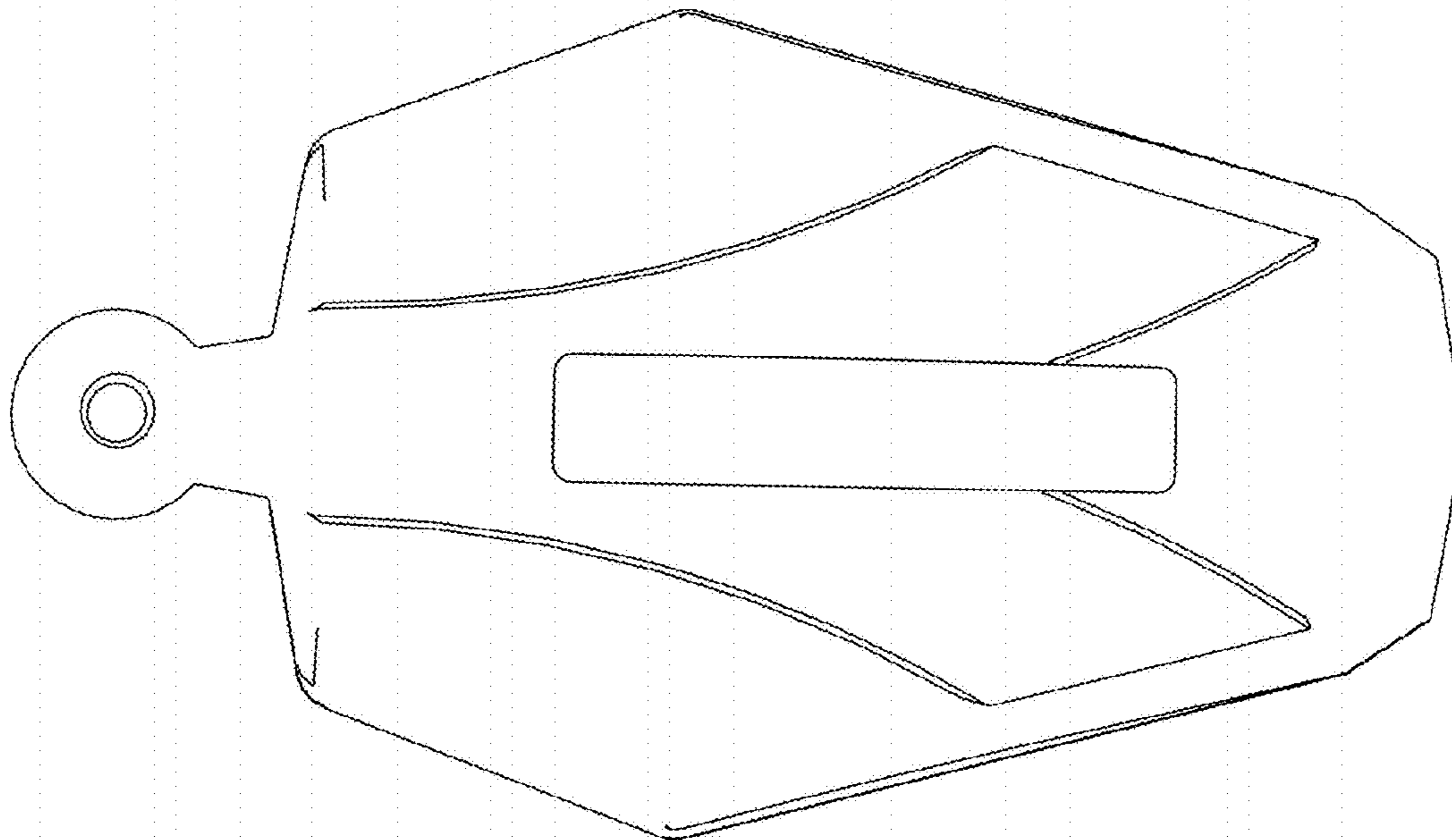


Figure 2

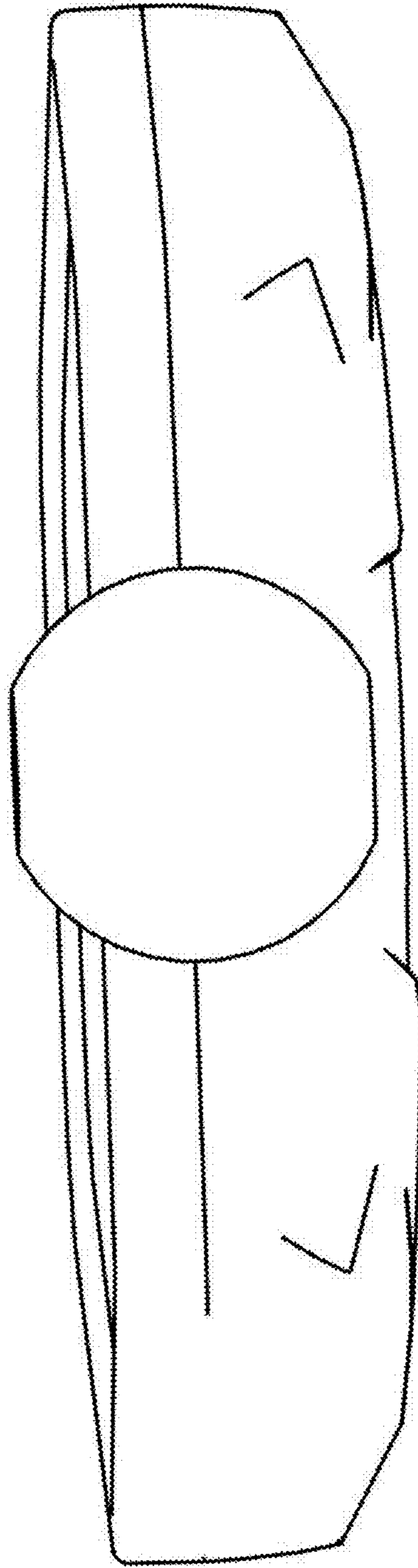


Figure 3

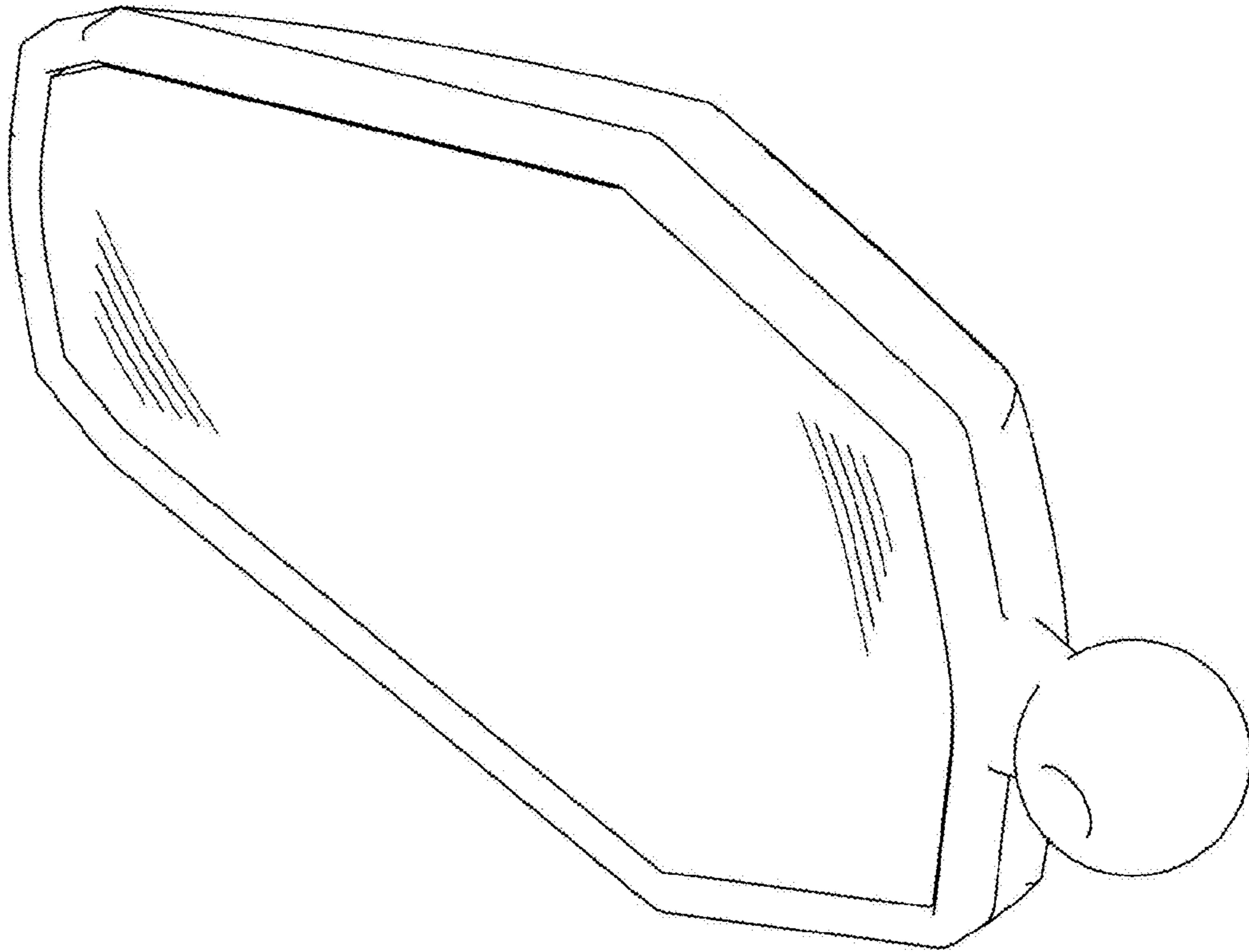


Figure 4

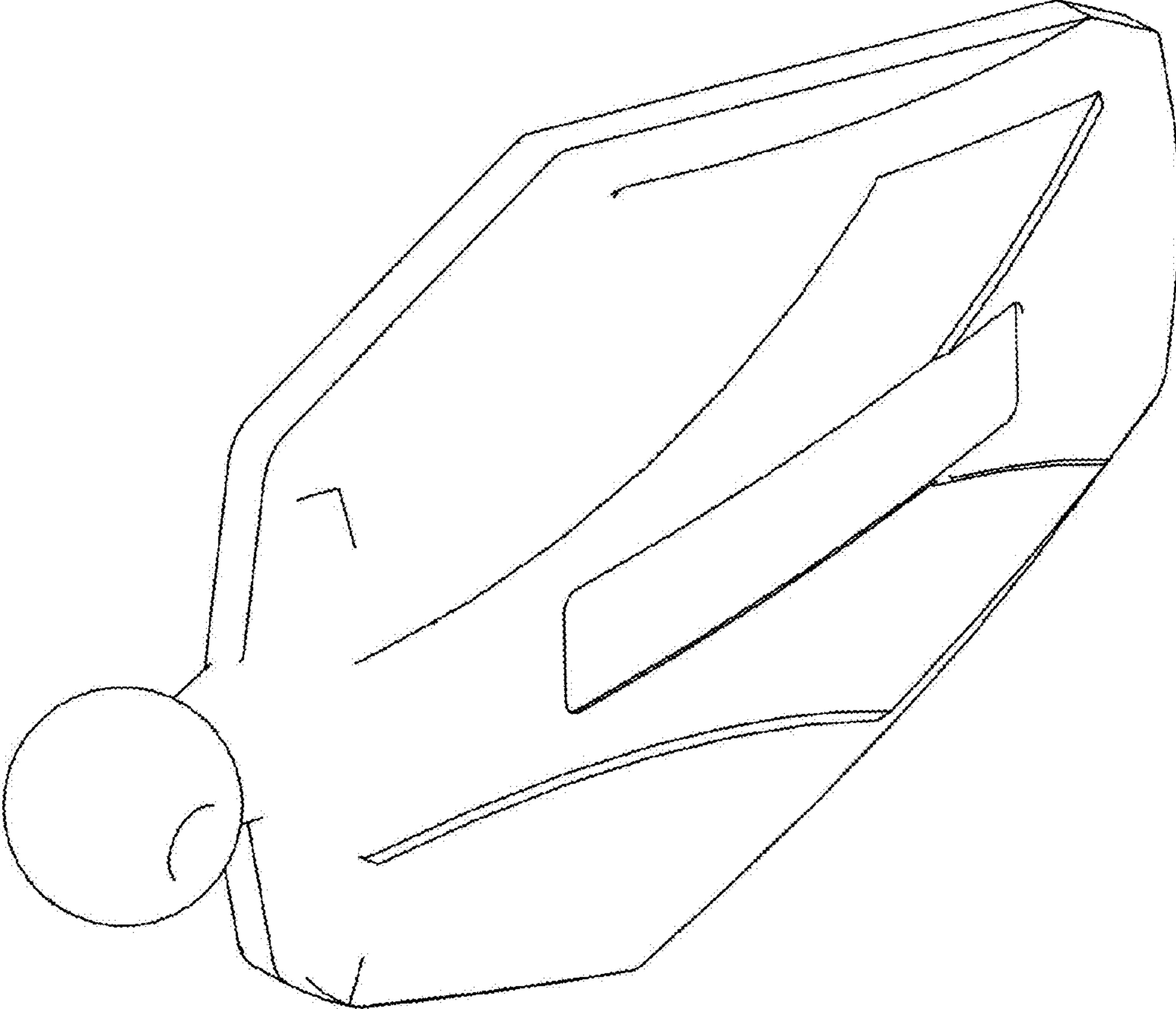


Figure 5