



US00D759551S

(12) **United States Design Patent**
Nakahara

(10) **Patent No.:** **US D759,551 S**

(45) **Date of Patent:** **** Jun. 21, 2016**

(54) **GRILL FOR AUTOMOBILES**

(56) **References Cited**

(71) Applicant: **HONDA MOTOR CO., LTD.**, Tokyo
(JP)

U.S. PATENT DOCUMENTS

(72) Inventor: **Jun Nakahara**, Wako (JP)

D626,897 S *	11/2010	Ectors	D12/163
D634,675 S *	3/2011	Lamm	D12/163
D637,532 S *	5/2011	Miyazawa	D12/163
D645,795 S *	9/2011	Ishibashi	D12/163
D645,796 S *	9/2011	Osawa	D12/163
D651,142 S *	12/2011	Fushimi	D12/163
D659,600 S *	5/2012	Oya	D12/163
D665,313 S *	8/2012	Asakura	D12/163
D665,315 S *	8/2012	Matsuno	D12/163
D702,155 S *	4/2014	Hanaoka	D12/163
D702,601 S *	4/2014	Wada	D12/163

(73) Assignee: **HONDA MOTOR CO., LTD.**, Tokyo
(JP)

(**) Term: **14 Years**

* cited by examiner

(21) Appl. No.: **29/511,764**

Primary Examiner — Melody N. Brown

(22) Filed: **Dec. 12, 2014**

(74) *Attorney, Agent, or Firm* — Westerman, Hattori,
Daniels & Adrian, LLP

(30) **Foreign Application Priority Data**

Jun. 13, 2014 (JP) 2014-012793

(57) **CLAIM**

The ornamental design of a grill for automobiles, as shown and described.

(51) **LOC (10) Cl.** **12-16**

DESCRIPTION

(52) **U.S. Cl.**

USPC **D12/163**

FIG. 1 is a front view of the grill for automobiles showing my new design;
FIG. 2 is a top plan view thereof;
FIG. 3 is a right side elevational view thereof; and,
FIG. 4 is a top, front and left side perspective view thereof.
The broken lines illustrate environmental structure only and form no part of the claimed design.

(58) **Field of Classification Search**

USPC D12/163, 196, 86, 90–92, 171, 169,
D12/216; 180/68.1, 68.6; 293/193.11

CPC B62D 25/08; B62B 9/16; B60K 11/08;
B60R 19/52

See application file for complete search history.

1 Claim, 2 Drawing Sheets

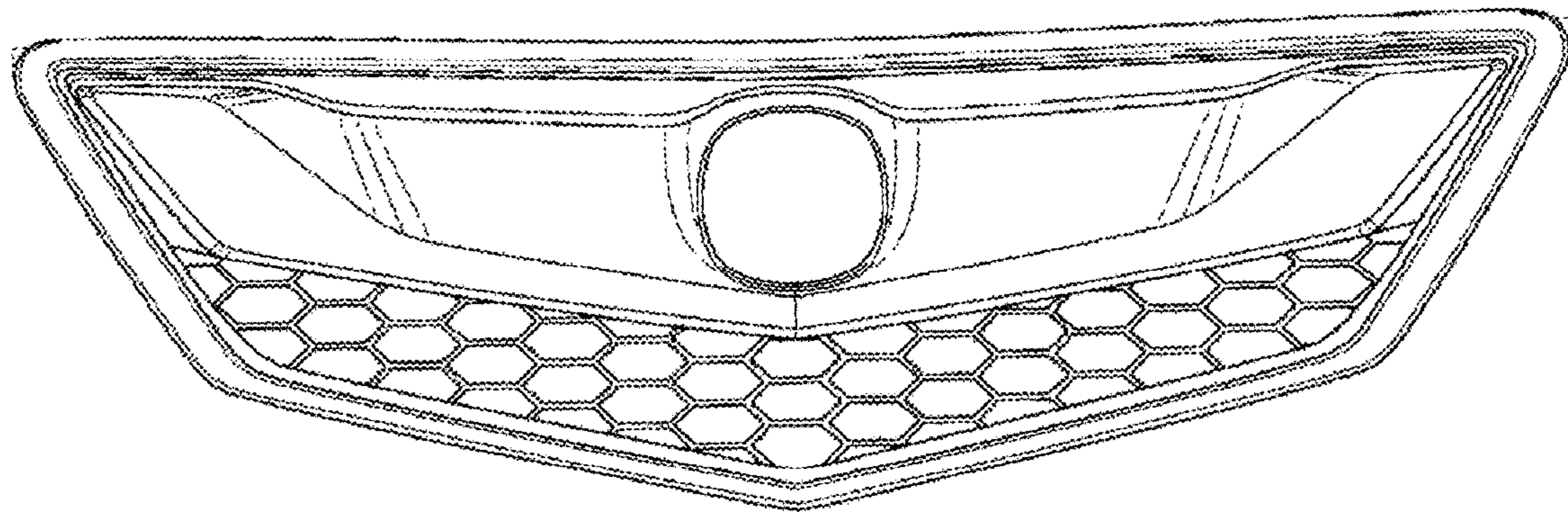


FIG.1

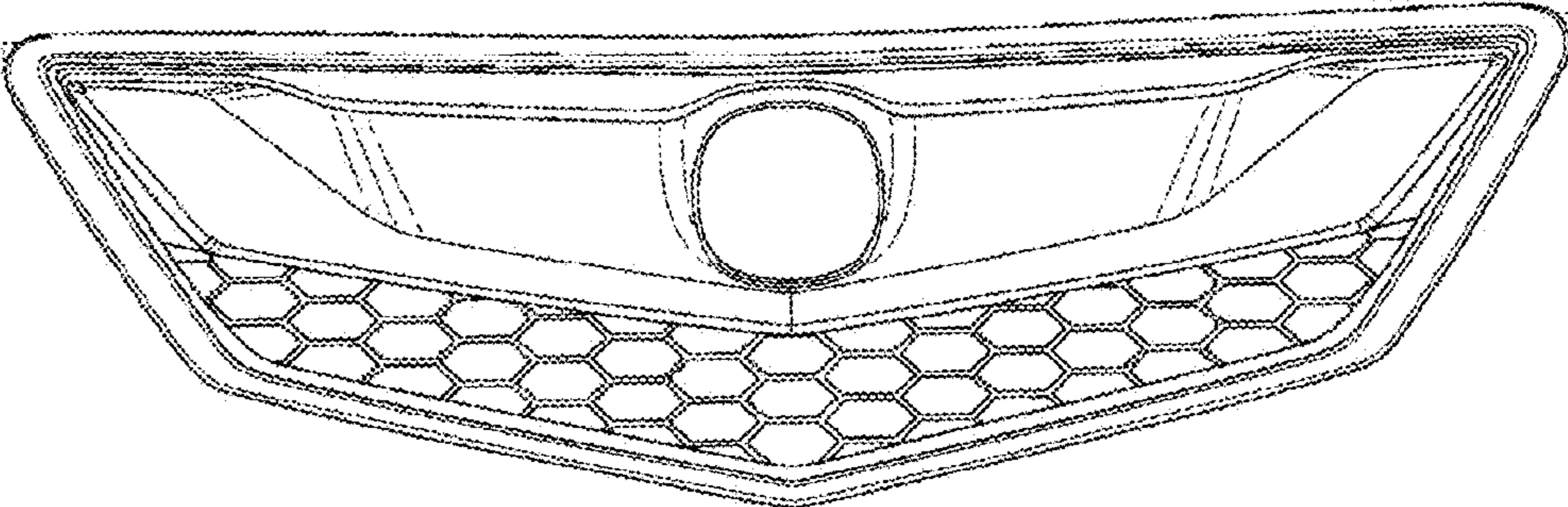


FIG.2

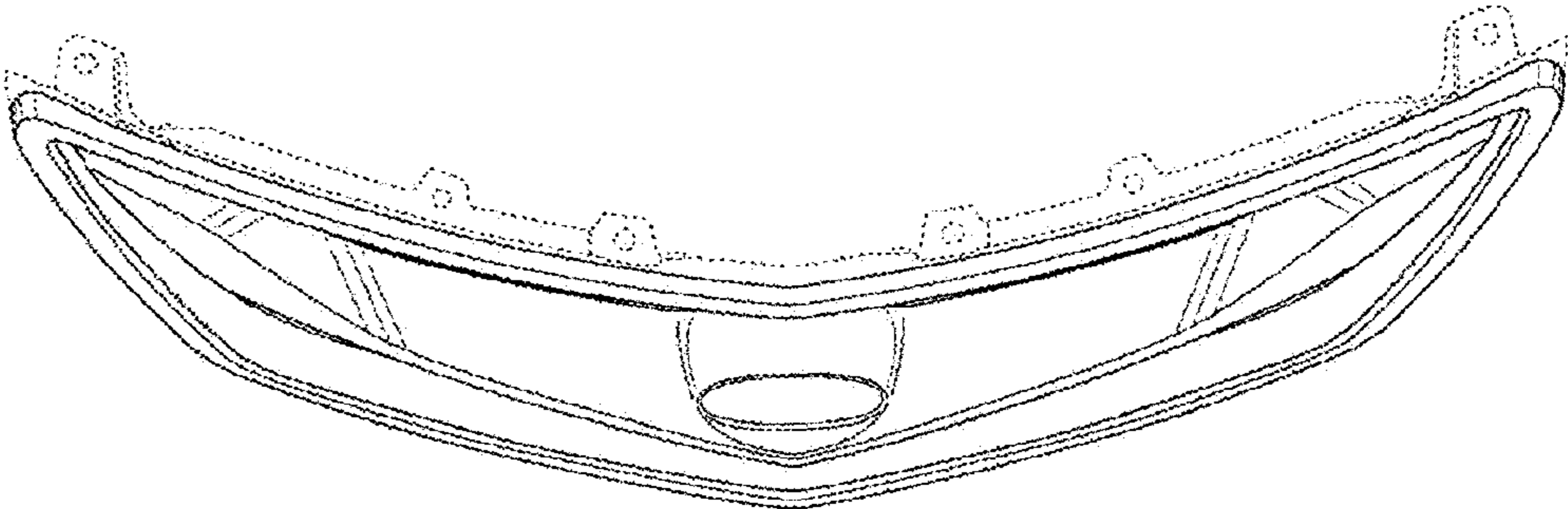


FIG.3

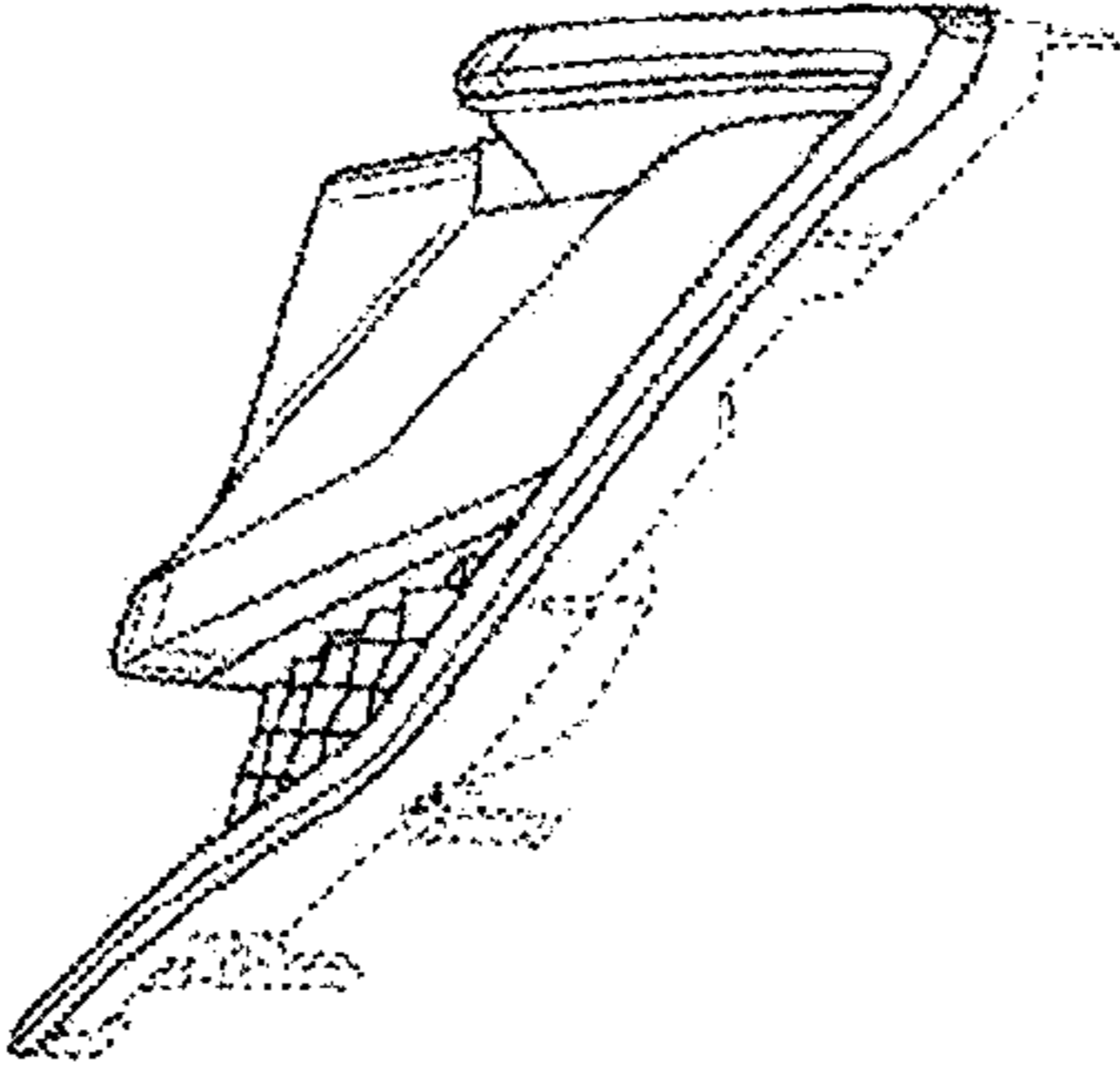


FIG.4

