



US00D759549S

(12) **United States Design Patent**  
**Edmonds et al.**

(10) **Patent No.:** **US D759,549 S**  
(45) **Date of Patent:** **\*\* Jun. 21, 2016**

- (54) **BICYCLE FRAME**
- (71) Applicant: **The Recycle Cycles LLC**, Redondo Beach, CA (US)
- (72) Inventors: **Bryce Walter Edmonds**, Los Angeles, CA (US); **Jason William Cave**, Redondo Beach, CA (US)
- (73) Assignee: **The Recycle Cycles LLC**, Redondo Beach, CA (US)
- (\*\*) Term: **14 Years**
- (21) Appl. No.: **29/470,199**
- (22) Filed: **Oct. 18, 2013**

6,375,210	B1 *	4/2002	Lam	.....	280/281.1
D486,424	S *	2/2004	Sagan	.....	D12/111
D517,452	S *	3/2006	Hickman	.....	D12/111
D523,380	S *	6/2006	Auger et al.	.....	D12/111
D533,812	S *	12/2006	Hoisington	.....	D12/111
7,374,191	B1 *	5/2008	Tseng	.....	280/284
7,390,005	B2 *	6/2008	Lin	.....	280/274
7,413,208	B2 *	8/2008	Weng	.....	280/284
7,591,475	B1	9/2009	Calfee		
D635,894	S *	4/2011	Argote Vivar	.....	D12/111
D686,950	S *	7/2013	Lin	.....	D12/111
D688,599	S *	8/2013	Silva	.....	D12/111
8,720,929	B2 *	5/2014	D'Aluisio	.....	280/281.1
2007/0235976	A1 *	10/2007	Lin	.....	280/281.1
2008/0238031	A1 *	10/2008	Tseng	.....	280/284
2009/0026728	A1	1/2009	Domahidy		
2014/0054873	A1 *	2/2014	Cocalis	.....	280/281.1

**Related U.S. Application Data**

- (62) Division of application No. 29/449,143, filed on Mar. 14, 2013, now Pat. No. Des. 697,836.
- (51) **LOC (10) Cl.** ..... **12-11**
- (52) **U.S. Cl.**  
USPC ..... **D12/111**
- (58) **Field of Classification Search**  
USPC ..... D12/111, 117; 280/274-280, 281.1, 280/283-288, 288.1-288.4  
CPC ..... B62K 3/00; B62K 3/005; B62K 9/00; B62K 19/00; B62K 19/02; B62K 19/04; B62K 19/06; B62K 19/16  
See application file for complete search history.

**References Cited**

**U.S. PATENT DOCUMENTS**

D26,898	S	4/1897	Carroll		
D104,141	S	4/1937	Henry		
2,855,218	A *	10/1958	Douglas et al.	.....	280/281.1
D239,614	S *	4/1976	Seifert	.....	D12/111
D343,598	S *	1/1994	Southwell et al.	.....	D12/111
5,397,146	A	3/1995	Fischer		
D392,602	S *	3/1998	Silva	.....	D12/111

**FOREIGN PATENT DOCUMENTS**

EP	1378429	A1 *	1/2004	.....	B62K 15/00
GB	2502468	A *	11/2013	.....	B62K 15/00
JP	2009262921	A *	11/2009	.....	B62K 15/00

\* cited by examiner

*Primary Examiner* — Philip S Hyder

*Assistant Examiner* — Darlington Ly

(74) *Attorney, Agent, or Firm* — Blank Rome LLP

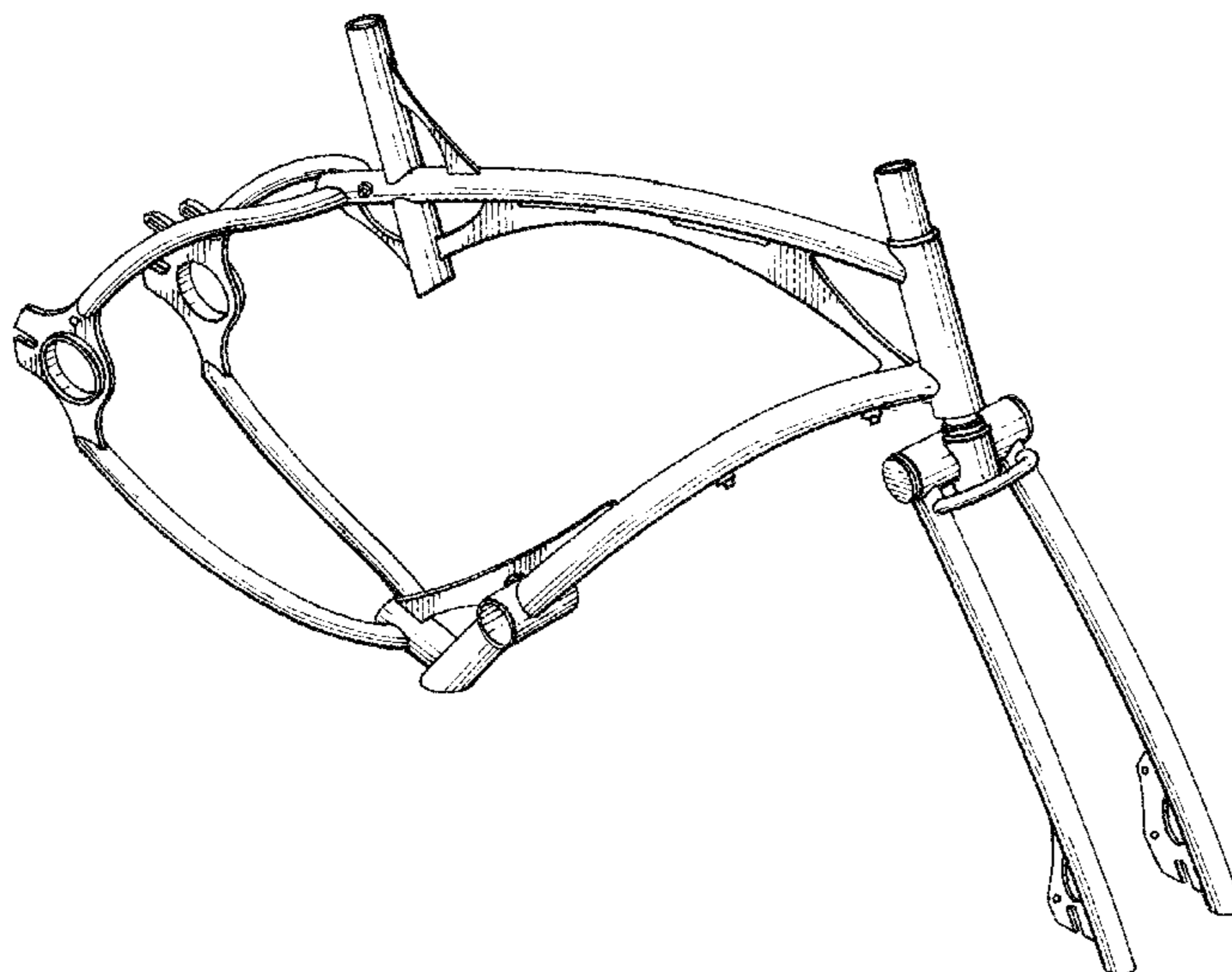
(57) **CLAIM**

The ornamental design for a bicycle frame, as shown and described.

**DESCRIPTION**

FIG. 1 is a right side perspective view of the bicycle frame showing our new design;  
 FIG. 2 is a front elevation view thereof;  
 FIG. 3 is a rear elevation view thereof;  
 FIG. 4 is a top plan view thereof; and  
 FIG. 5 is a bottom plan view thereof;  
 FIG. 6 is a left side elevation view thereof; and,  
 FIG. 7 is a right side elevation view thereof.

**1 Claim, 5 Drawing Sheets**



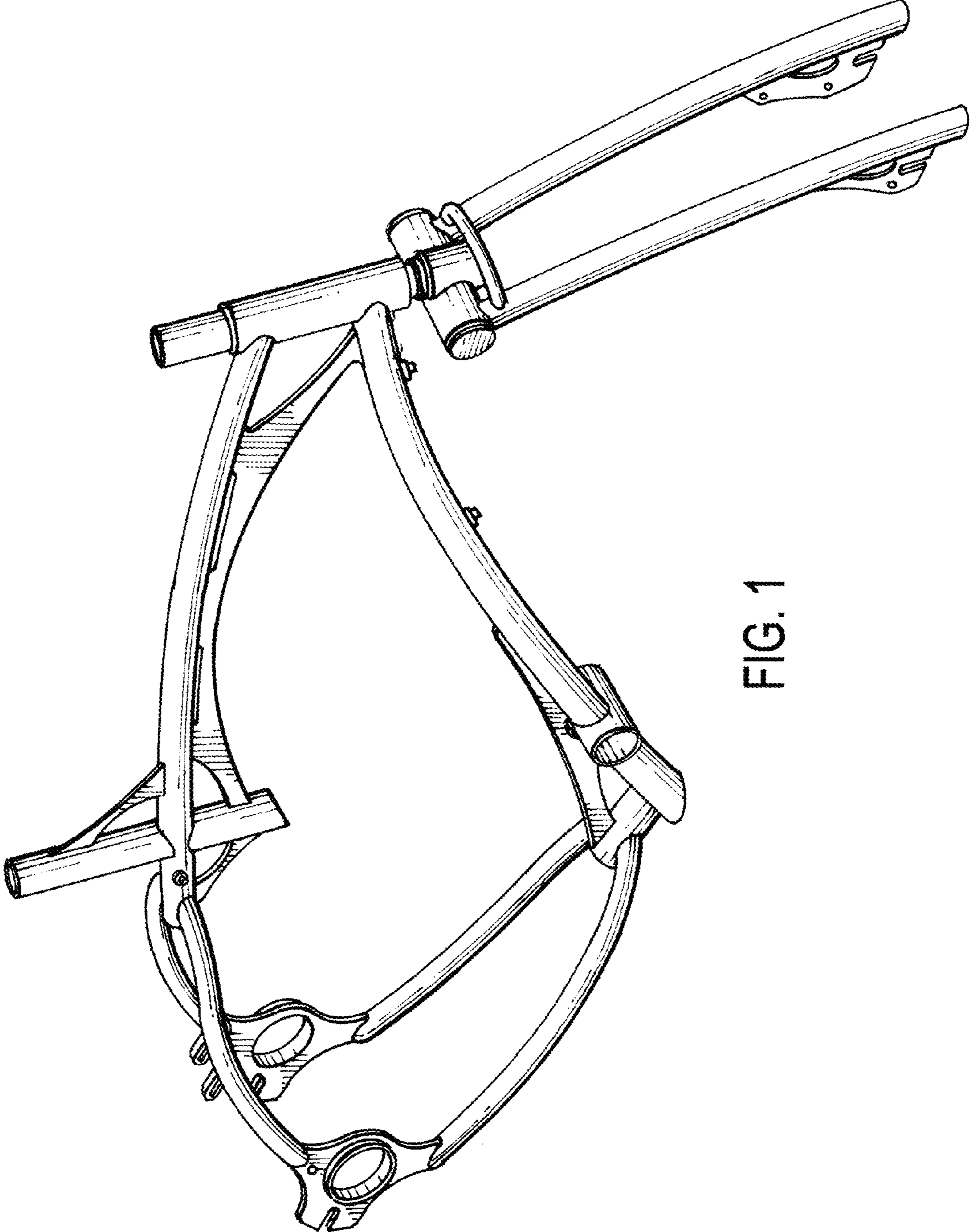


FIG. 1

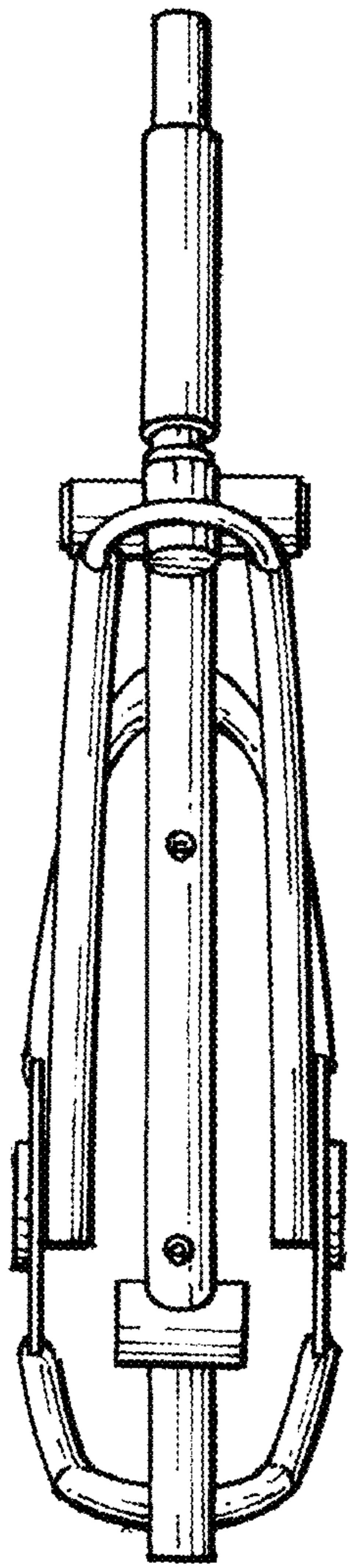


FIG. 2

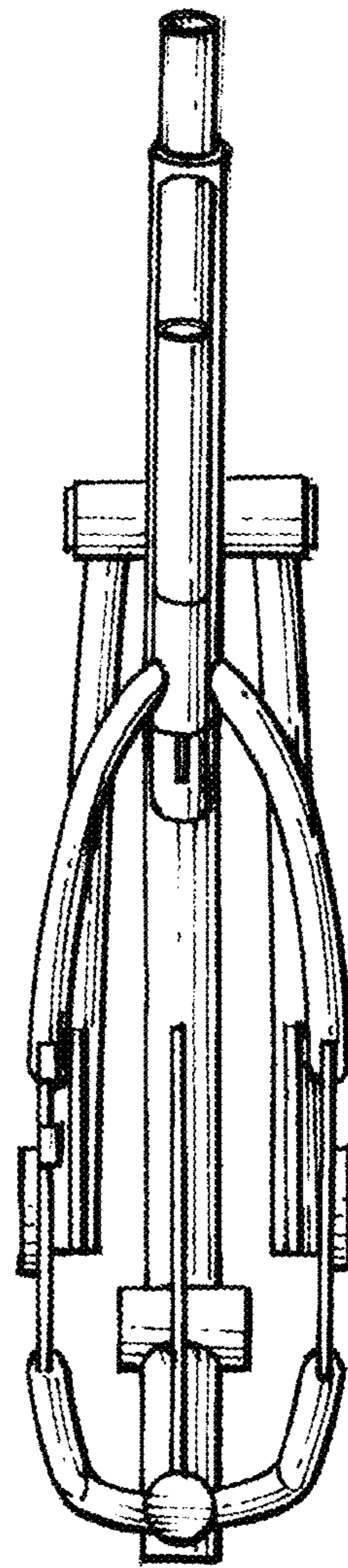


FIG. 3

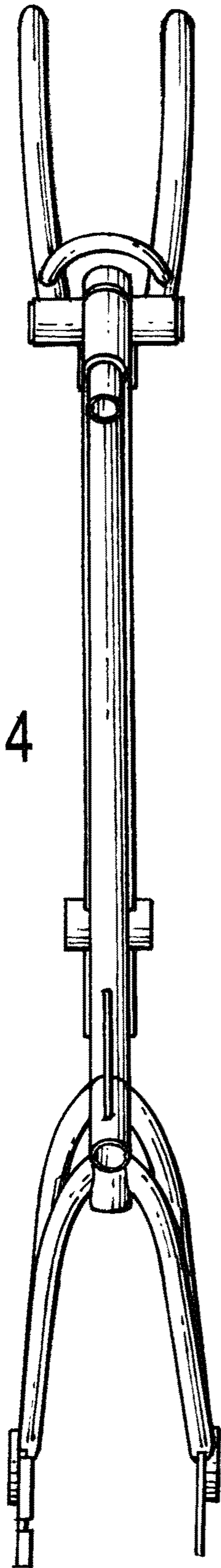


FIG. 4

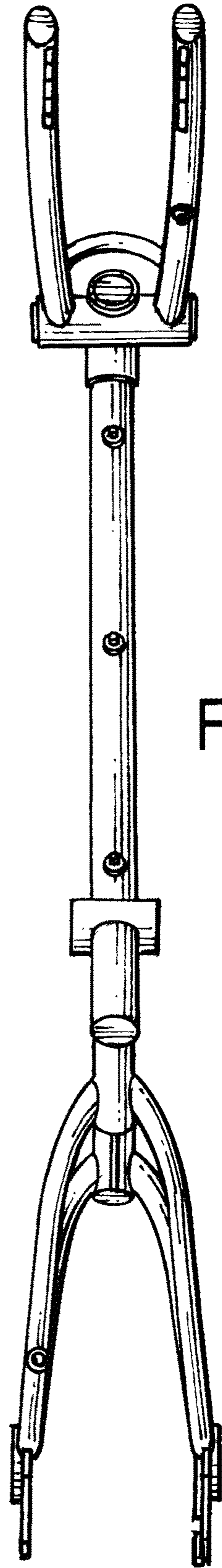


FIG. 5

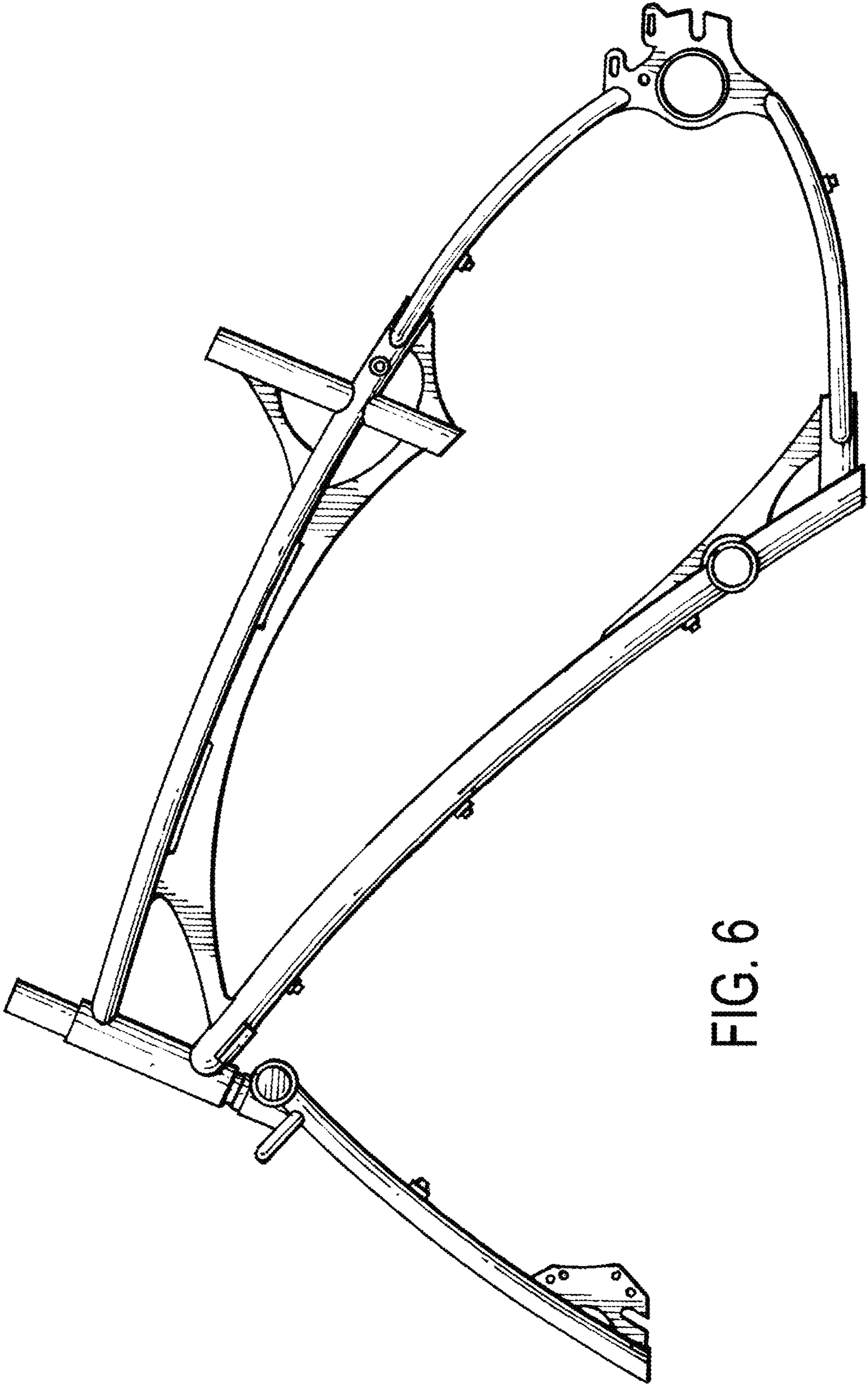


FIG. 6

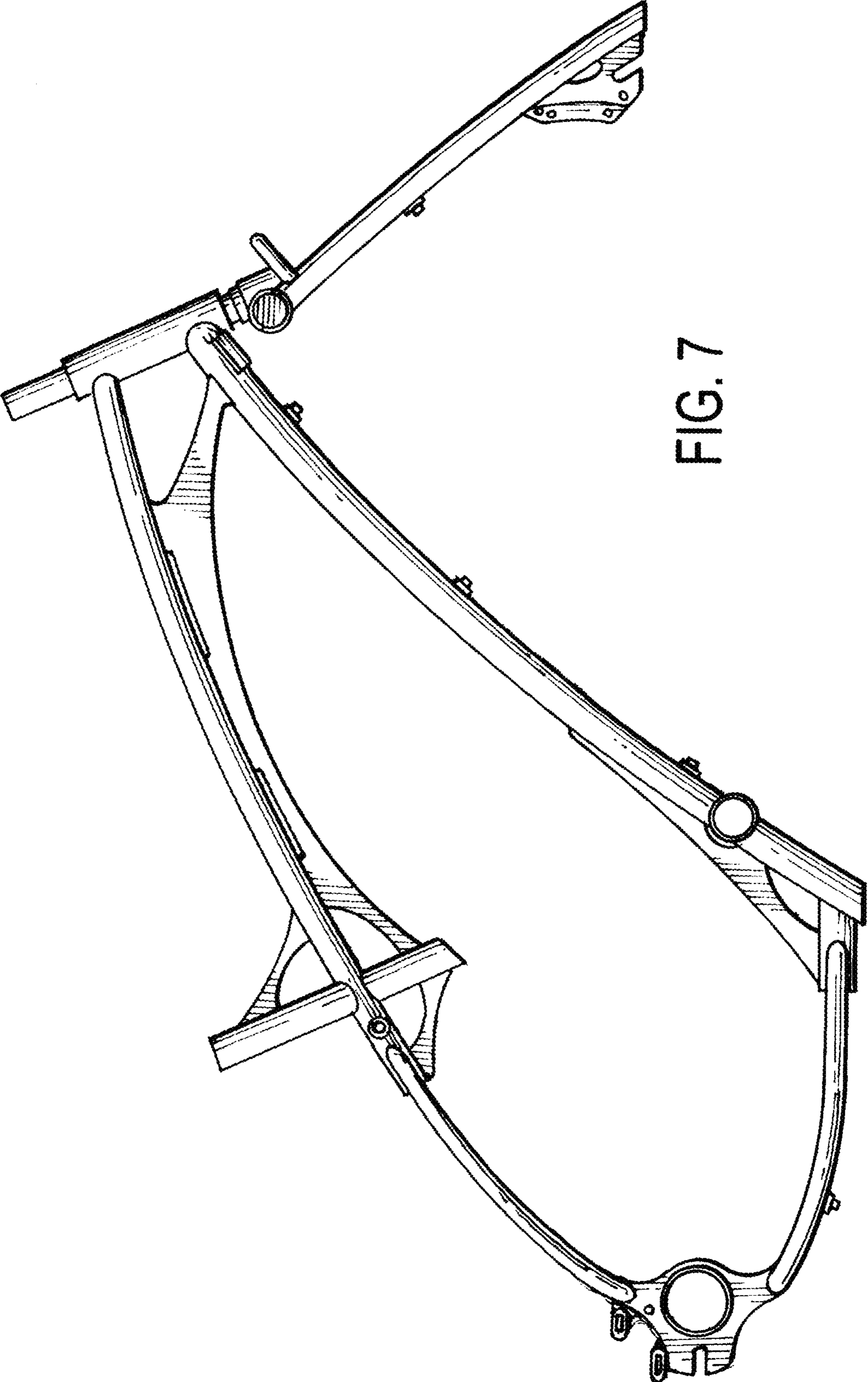


FIG. 7