

US00D759546S

(12) **United States Design Patent**
Van Wyk

(10) **Patent No.:** **US D759,546 S**
(45) **Date of Patent:** **** Jun. 21, 2016**

(54) **UTILITY TRAILER**

(71) Applicant: **Loren Van Wyk**, Pella, IA (US)

(72) Inventor: **Loren Van Wyk**, Pella, IA (US)

(73) Assignee: **LDJ Manufacturing, Inc.**, Pella, IA (US)

(**) Term: **15 Years**

(21) Appl. No.: **29/526,756**

(22) Filed: **May 13, 2015**

(51) **LOC (10) Cl.** **12-10**

(52) **U.S. Cl.**
USPC **D12/102**

(58) **Field of Classification Search**
USPC D12/101-106, 19, 129, 111-112;
D21/425, 435; D34/21-26, 12, 16-19
CPC B62D 35/02; B62D 35/00; A62B 3/005;
B60P 3/10

See application file for complete search history.

(56) **References Cited**

U.S. PATENT DOCUMENTS

D603,299	S	*	11/2009	Prusmack	D12/102
D653,588	S	*	2/2012	Heard	D12/102
D659,595	S	*	5/2012	Eliason	D12/102
D661,229	S	*	6/2012	O'Neill	D12/102
D662,444	S	*	6/2012	Smoak	D12/102
D664,072	S	*	7/2012	Halloran	D12/102
D737,725	S	*	9/2015	Bell	D12/102

* cited by examiner

Primary Examiner — Katrina A Betton

(74) *Attorney, Agent, or Firm* — Camille L. Urban; David M. Breiner

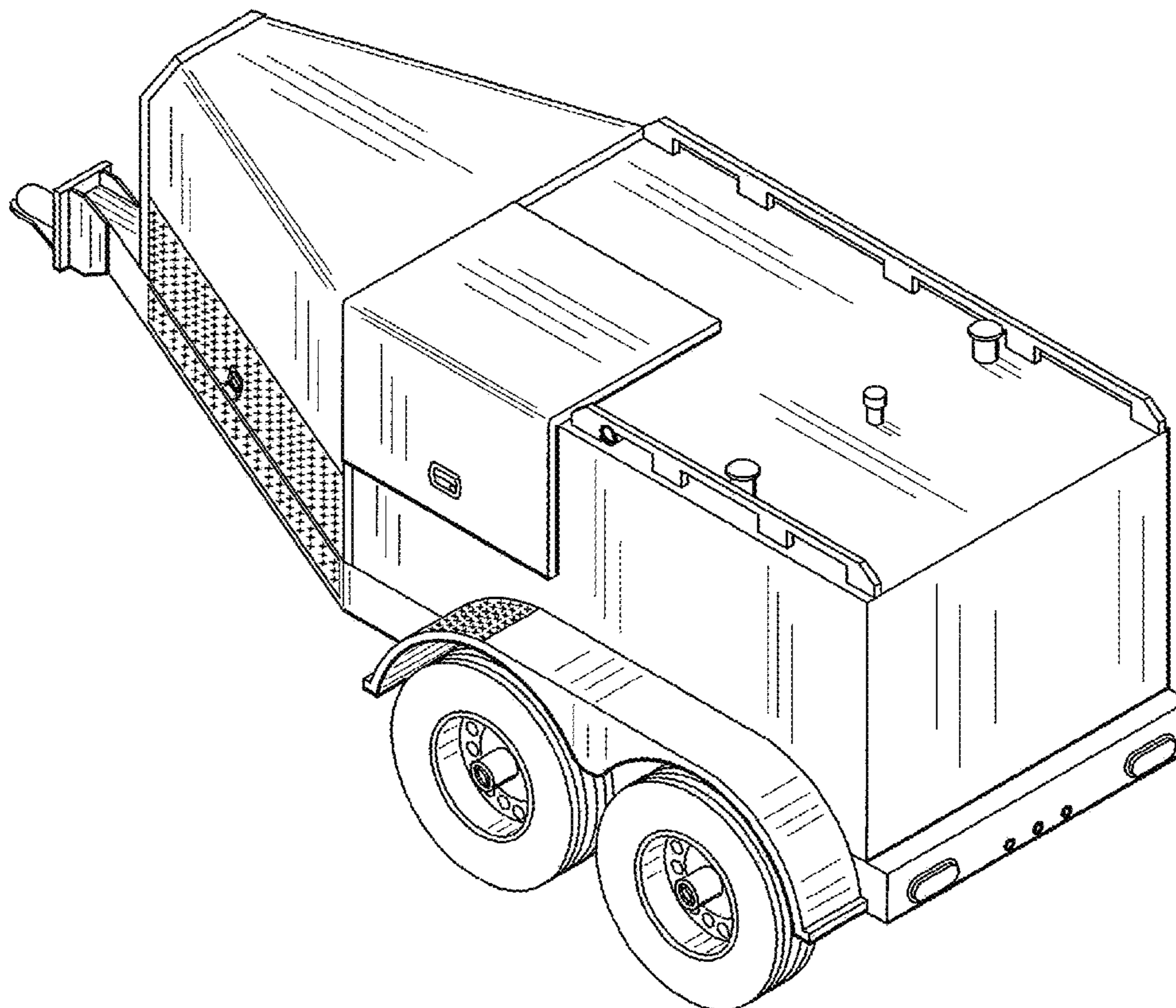
(57) **CLAIM**

The ornamental design for a utility trailer, as shown.

DESCRIPTION

FIG. 1 is a perspective view of a utility trailer;
FIG. 2 is a right side view of the utility trailer of FIG. 1;
FIG. 3 is a left side view of the utility trailer of FIG. 1;
FIG. 4 is a front side view of the utility trailer of FIG. 1;
FIG. 5 is a back view of the utility trailer of FIG. 1; and,
FIG. 6 is a top view of the utility trailer of FIG. 1.

1 Claim, 5 Drawing Sheets



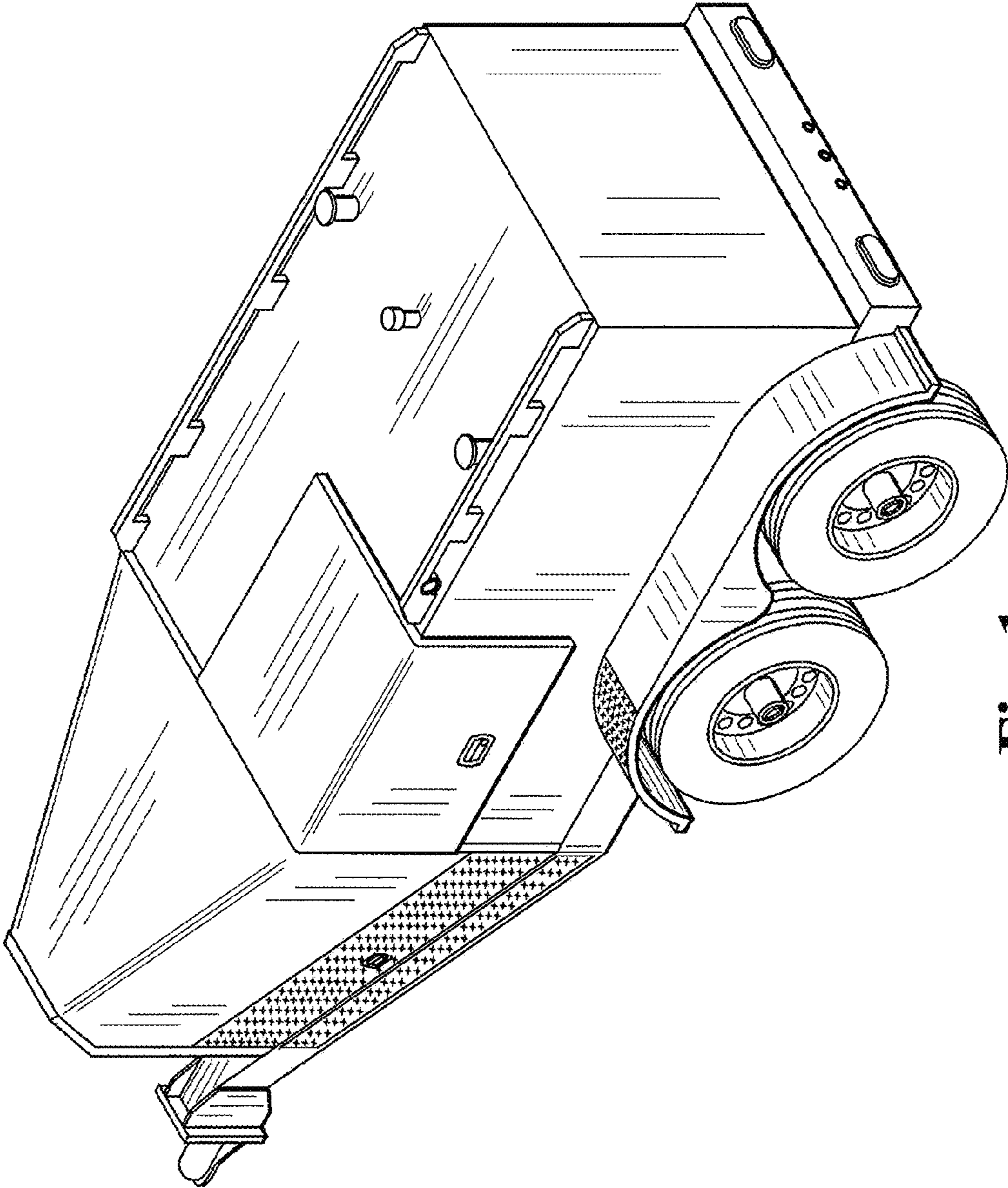


Fig. 1

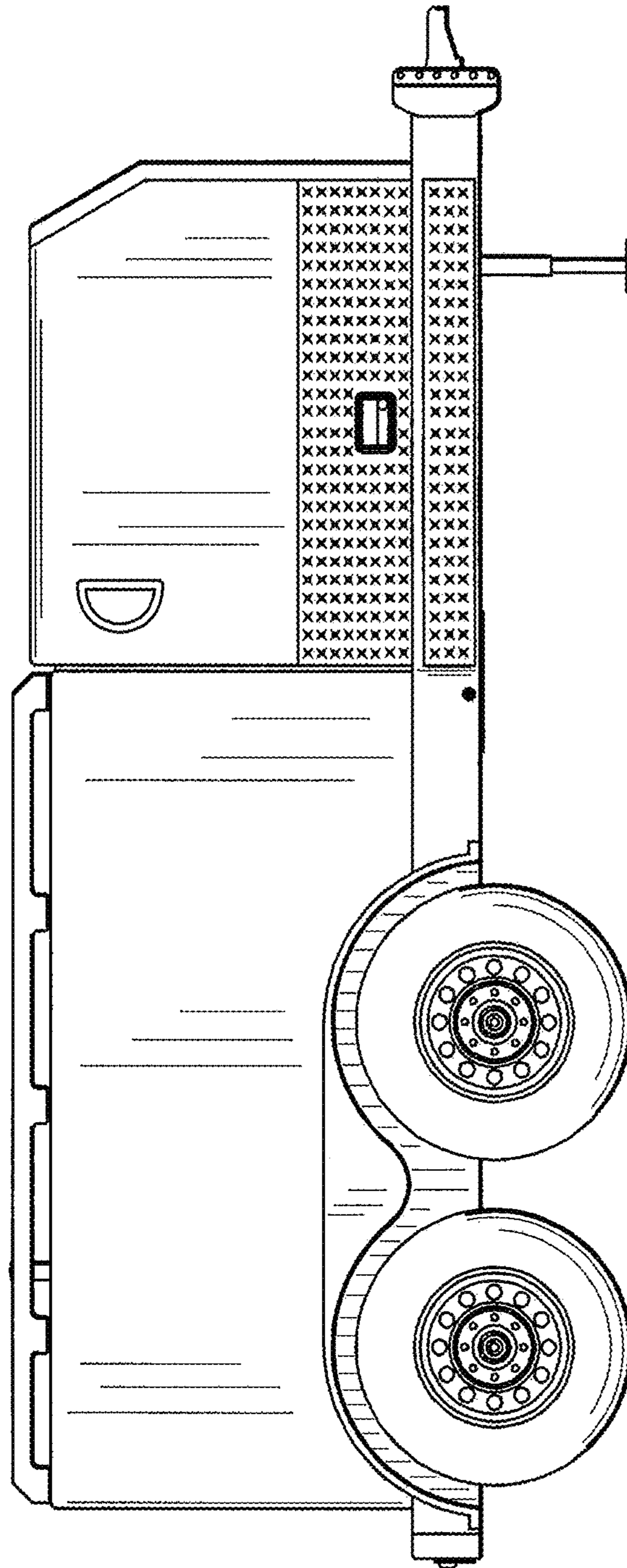


Fig. 2

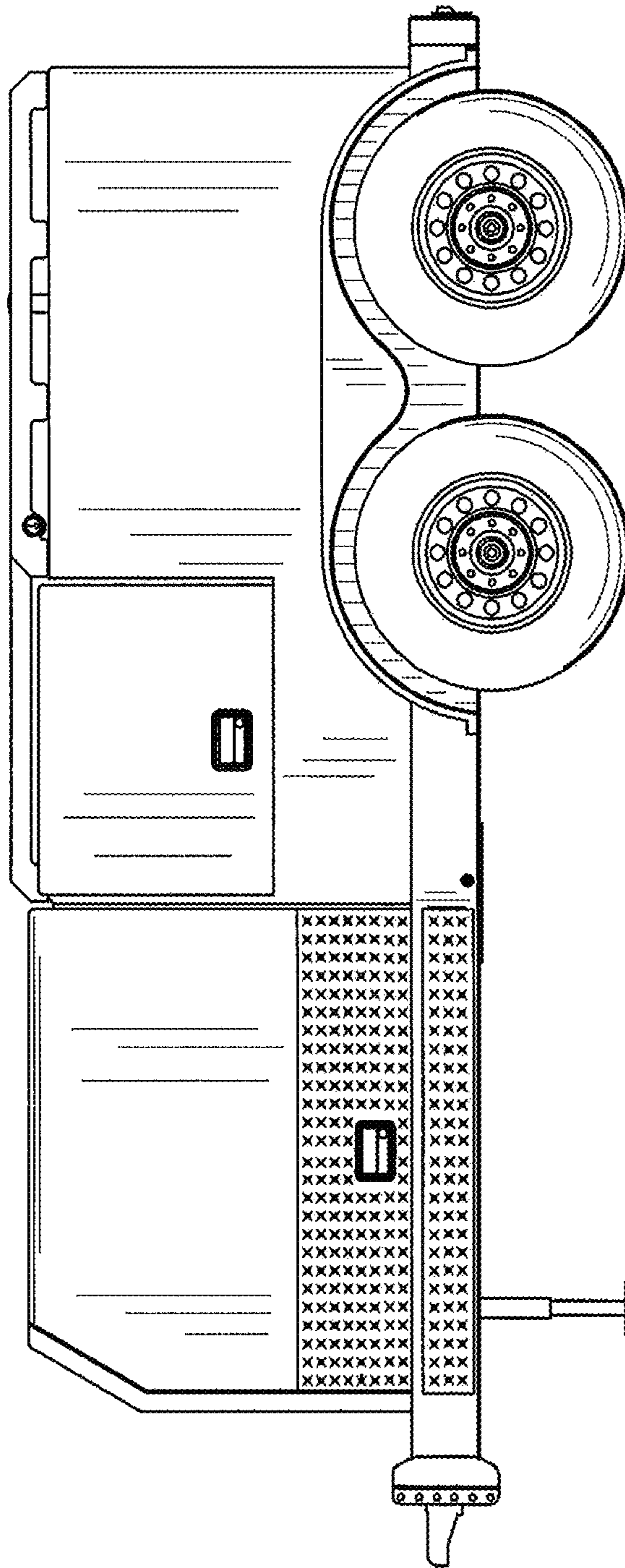


Fig. 3

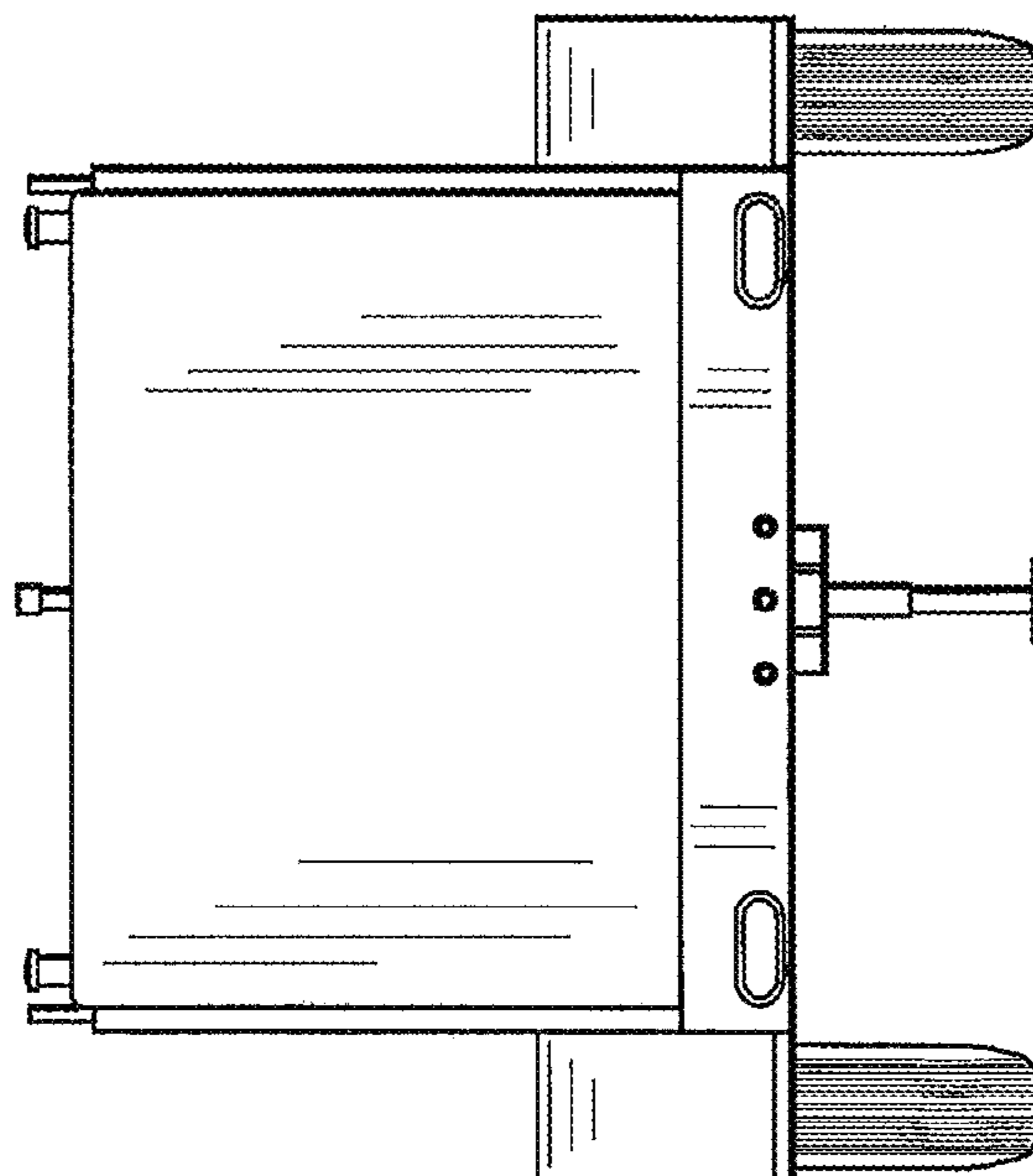


Fig. 5

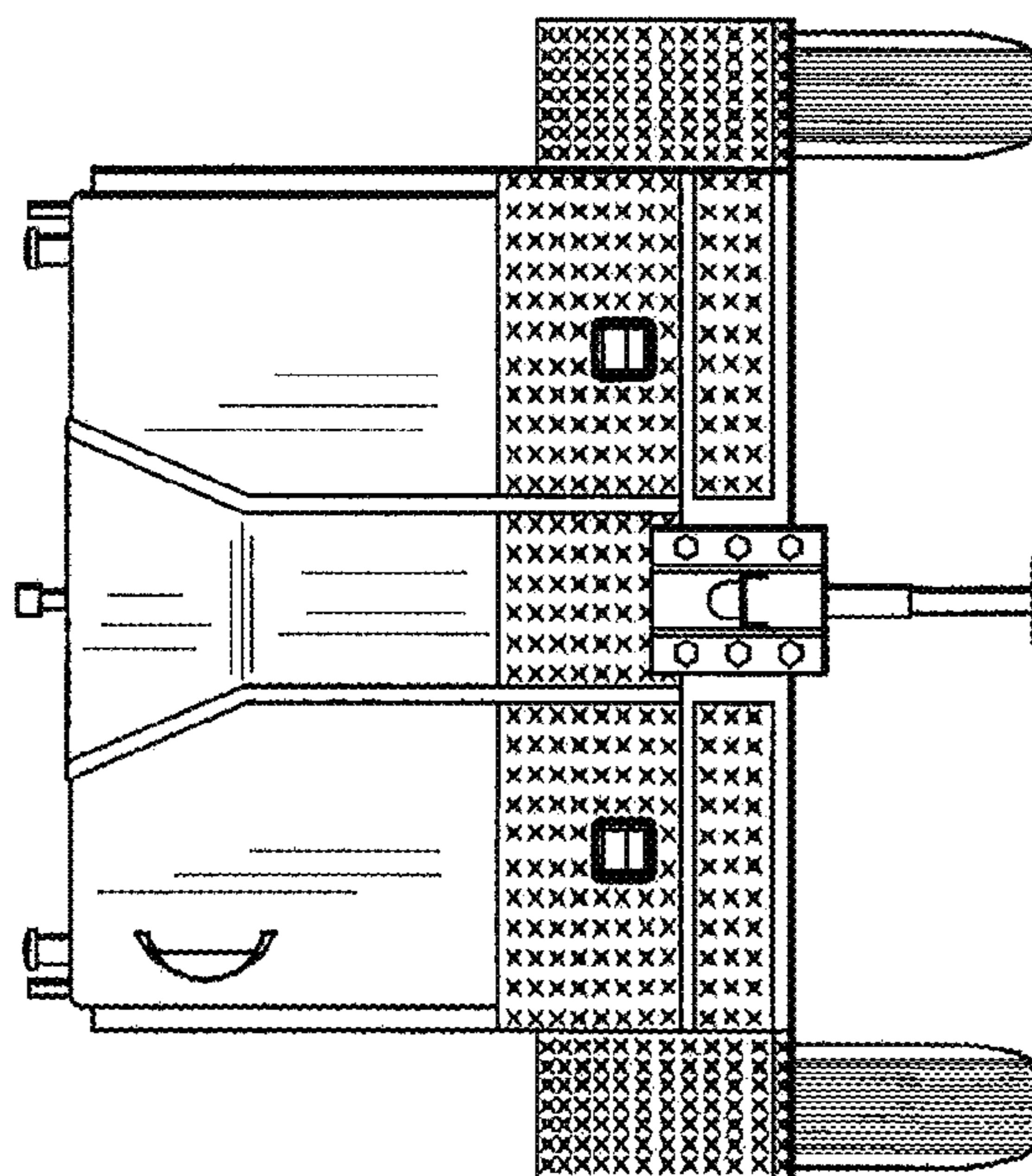


Fig. 4

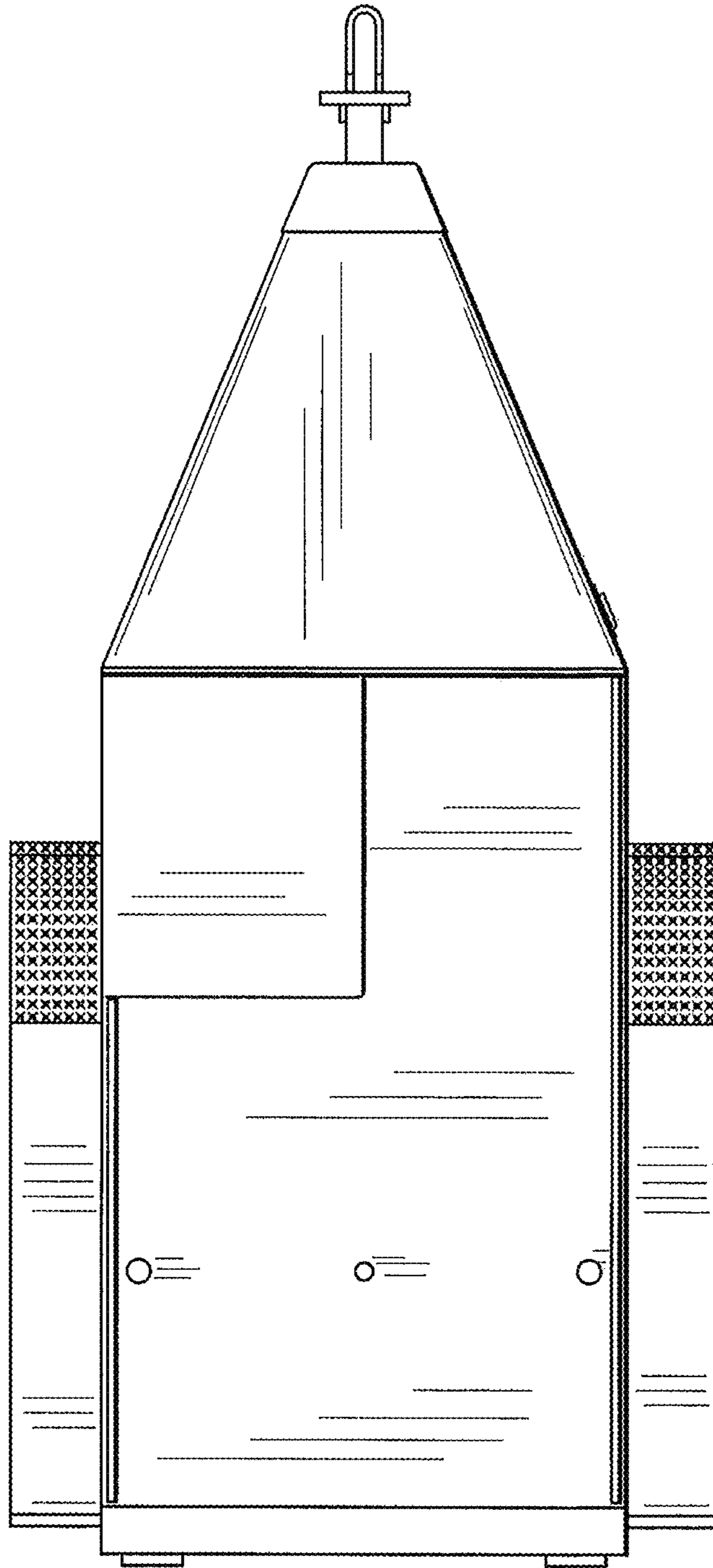


Fig. 6