



US00D759544S

(12) **United States Design Patent**
Chung

(10) **Patent No.:** **US D759,544 S**
(45) **Date of Patent:** **** Jun. 21, 2016**

(54) **VEHICLE AND/OR VEHICLE REPLICA**

FOREIGN PATENT DOCUMENTS

(71) Applicant: **Jae Chul Chung**, Irvine, CA (US)

TW D119365 10/2007

(72) Inventor: **Jae Chul Chung**, Irvine, CA (US)

TW D145479 2/2012

TW D145782 3/2012

TW D145479 1/2016

(73) Assignee: **HONDA MOTOR CO., LTD.**, Tokyo (JP)

OTHER PUBLICATIONS

(**) Term: **14 Years**

English translation of Taiwan IPO Search Report; Taiwan Design Patent Application No. 104304231; Dated Jan. 20, 2016.

(21) Appl. No.: **29/517,264**

* cited by examiner

(22) Filed: **Feb. 11, 2015**

Primary Examiner — Melody N. Brown

(51) **LOC (10) Cl.** **12-08**

(74) *Attorney, Agent, or Firm* — Pearne & Gordon LLP

(52) **U.S. Cl.**
USPC **D12/98**

(58) **Field of Classification Search**
USPC D12/86, 90–92, 88, 98; D21/424, 433,
D21/434, 533; 296/181.1, 181.5, 181.3,
296/183.1, 37.6

CPC B60R 9/06; B62D 35/00
See application file for complete search history.

(57) **CLAIM**

The ornamental design for a vehicle and/or vehicle replica, as shown and described.

DESCRIPTION

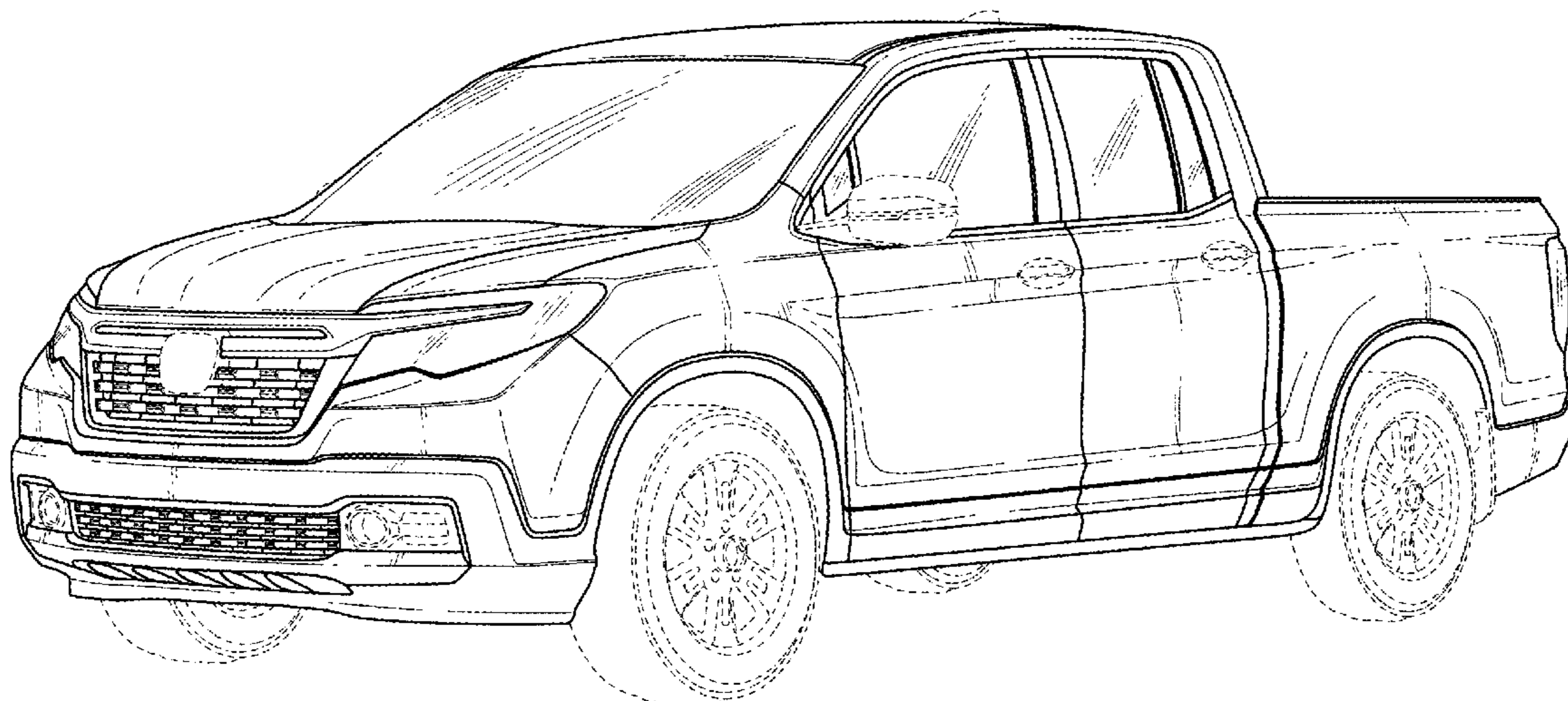
(56) **References Cited**

U.S. PATENT DOCUMENTS

D623,092 S	9/2010	Beigel et al.	
D634,244 S	3/2011	Aris et al.	
D659,053 S *	5/2012	Ware	D12/98
D665,313 S	8/2012	Asakura	
D665,316 S	8/2012	Asakura	
D682,753 S	5/2013	Yoshida et al.	
D692,803 S	11/2013	Nakahara	
D702,601 S	4/2014	Wada	
D742,790 S *	11/2015	Noguchi	D12/98
D748,014 S *	1/2016	Ino	D12/98
D748,015 S *	1/2016	Ino	D12/98

FIG. 1 is a front perspective view of a vehicle and/or vehicle replica showing our new design;
FIG. 2 is a rear perspective view thereof;
FIG. 3 is a right side view thereof, a left side view being a mirror image thereof;
FIG. 4 is a front view thereof;
FIG. 5 is a rear view thereof; and,
FIG. 6 is a top view thereof.
The broken lines shown in the drawings illustrate portions of the vehicle and/or vehicle replica that form no part of the claimed design.

1 Claim, 5 Drawing Sheets



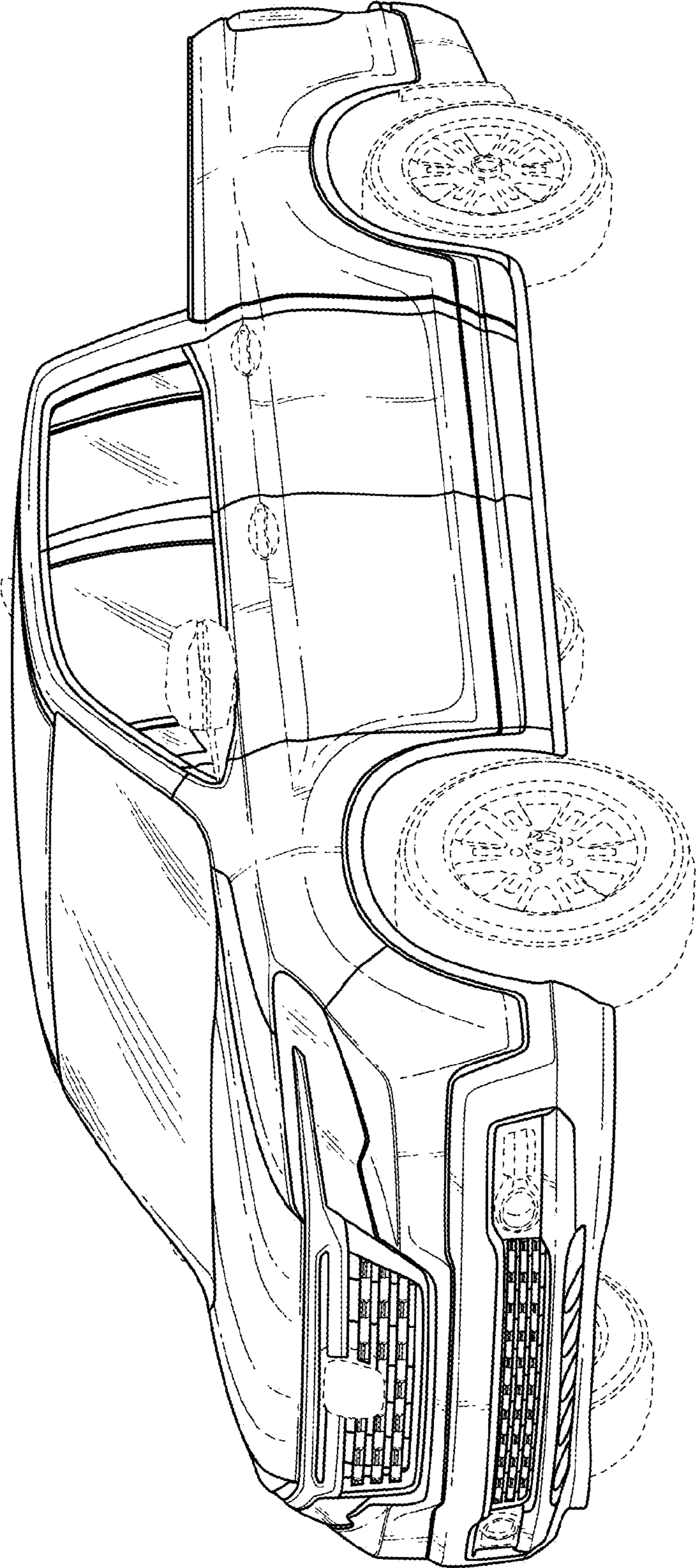


FIG. 1

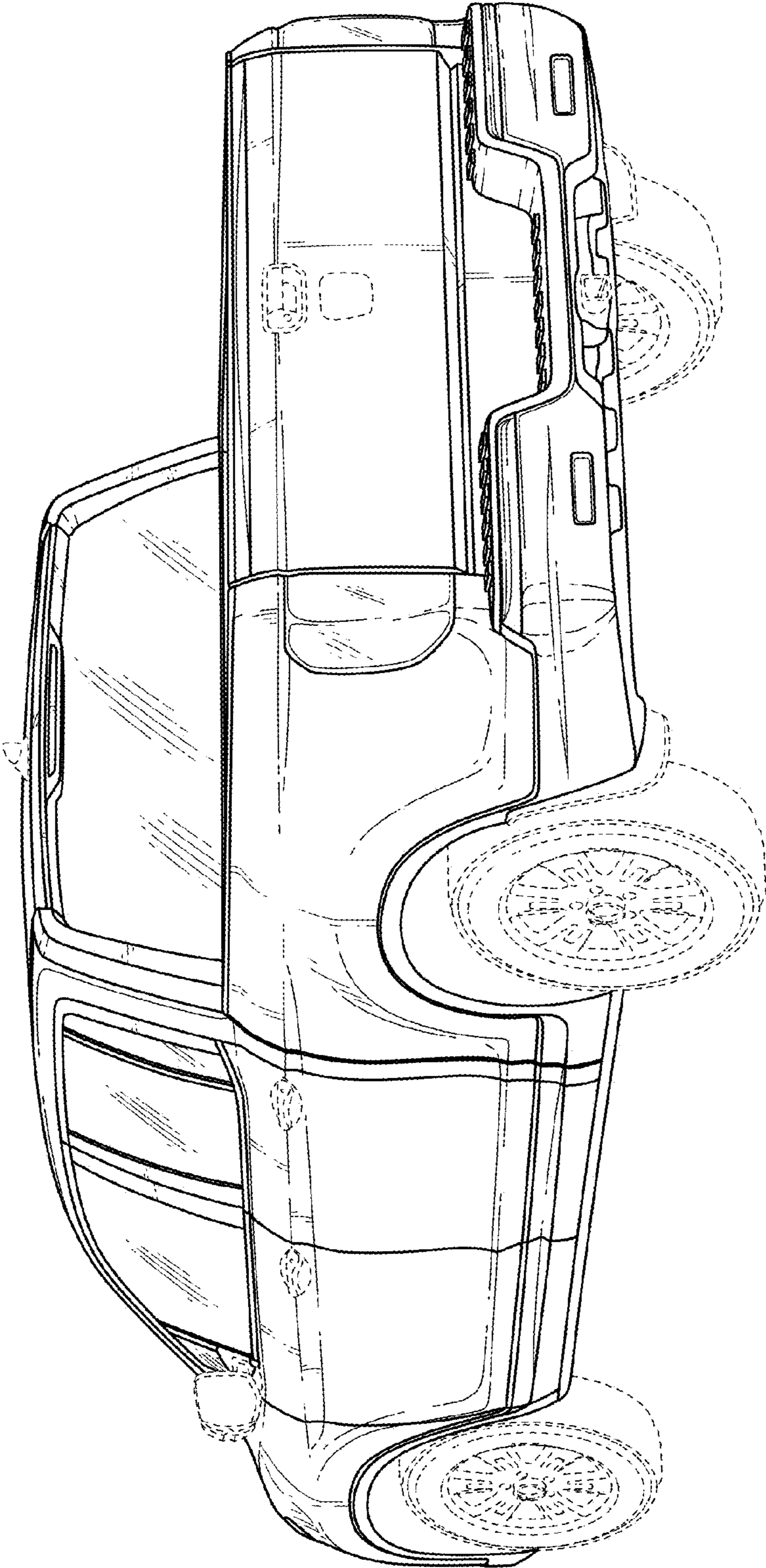


FIG. 2

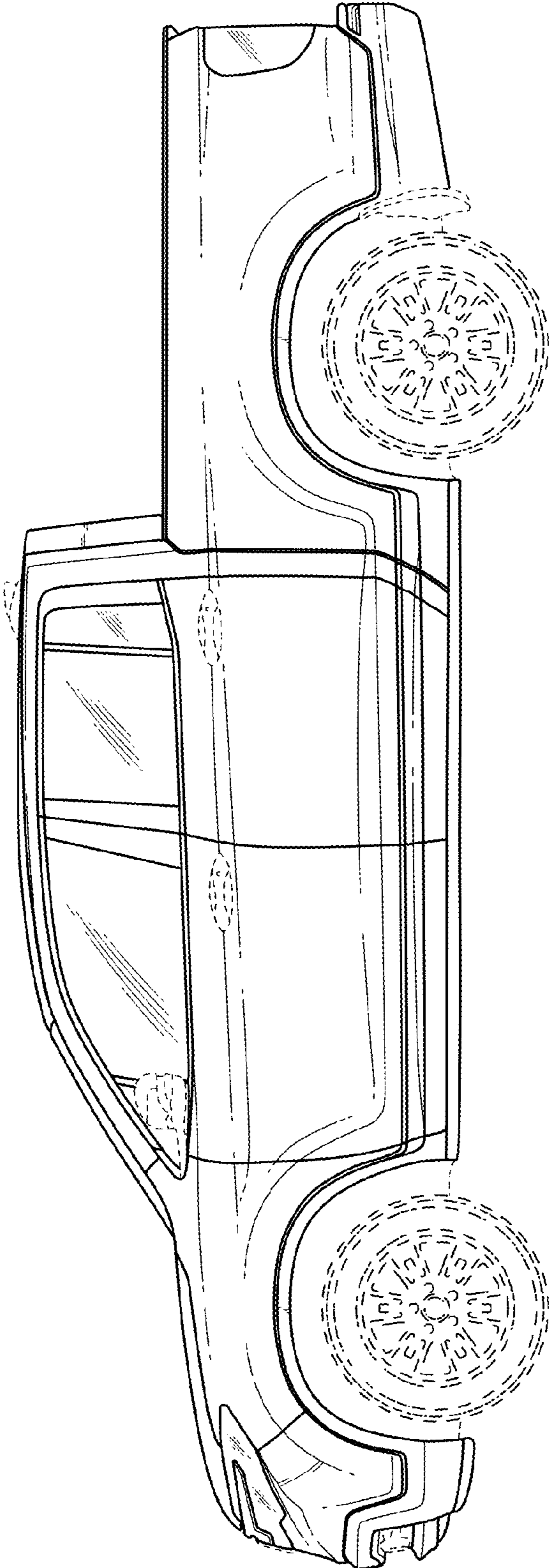


FIG. 3

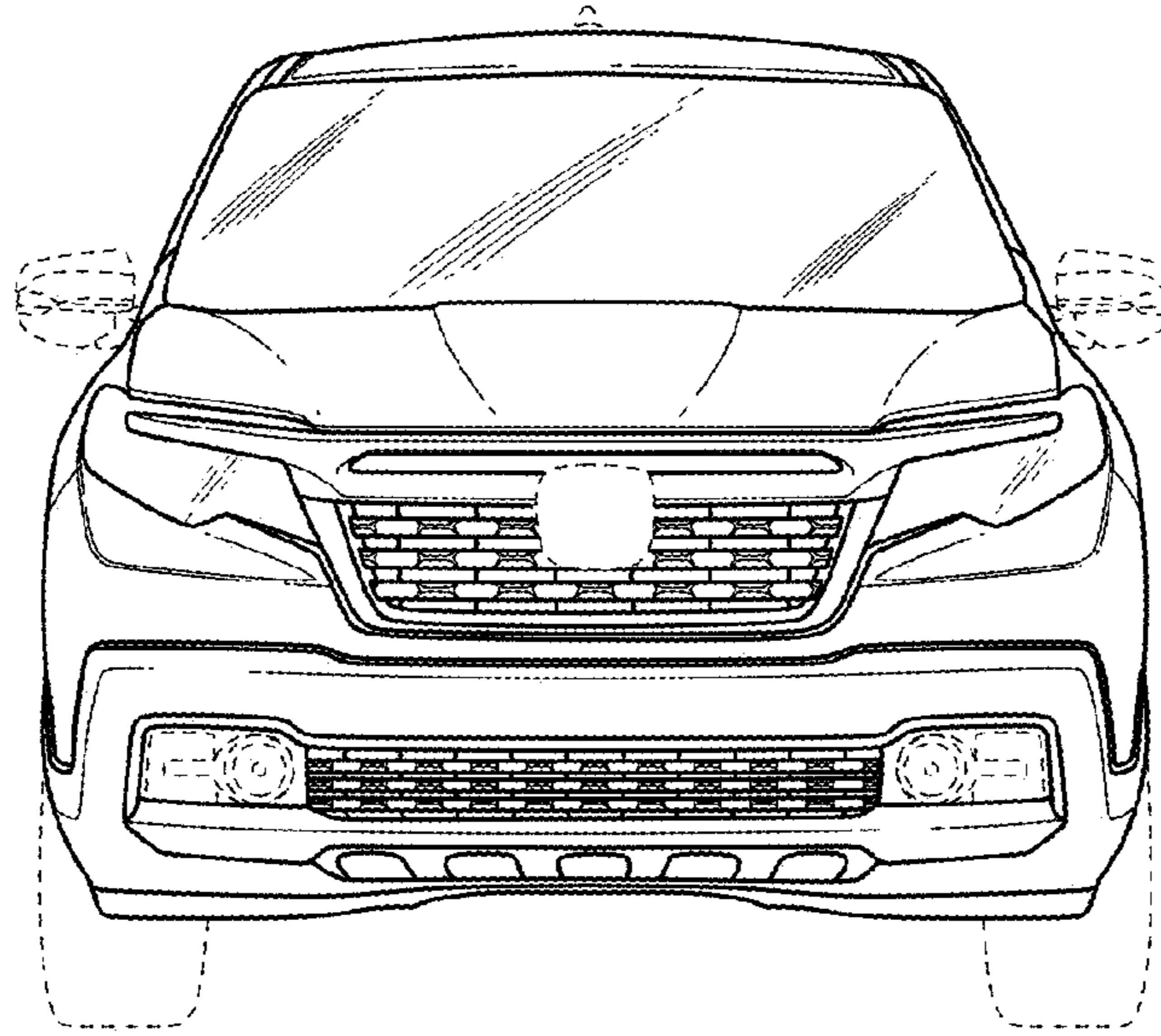


FIG. 4

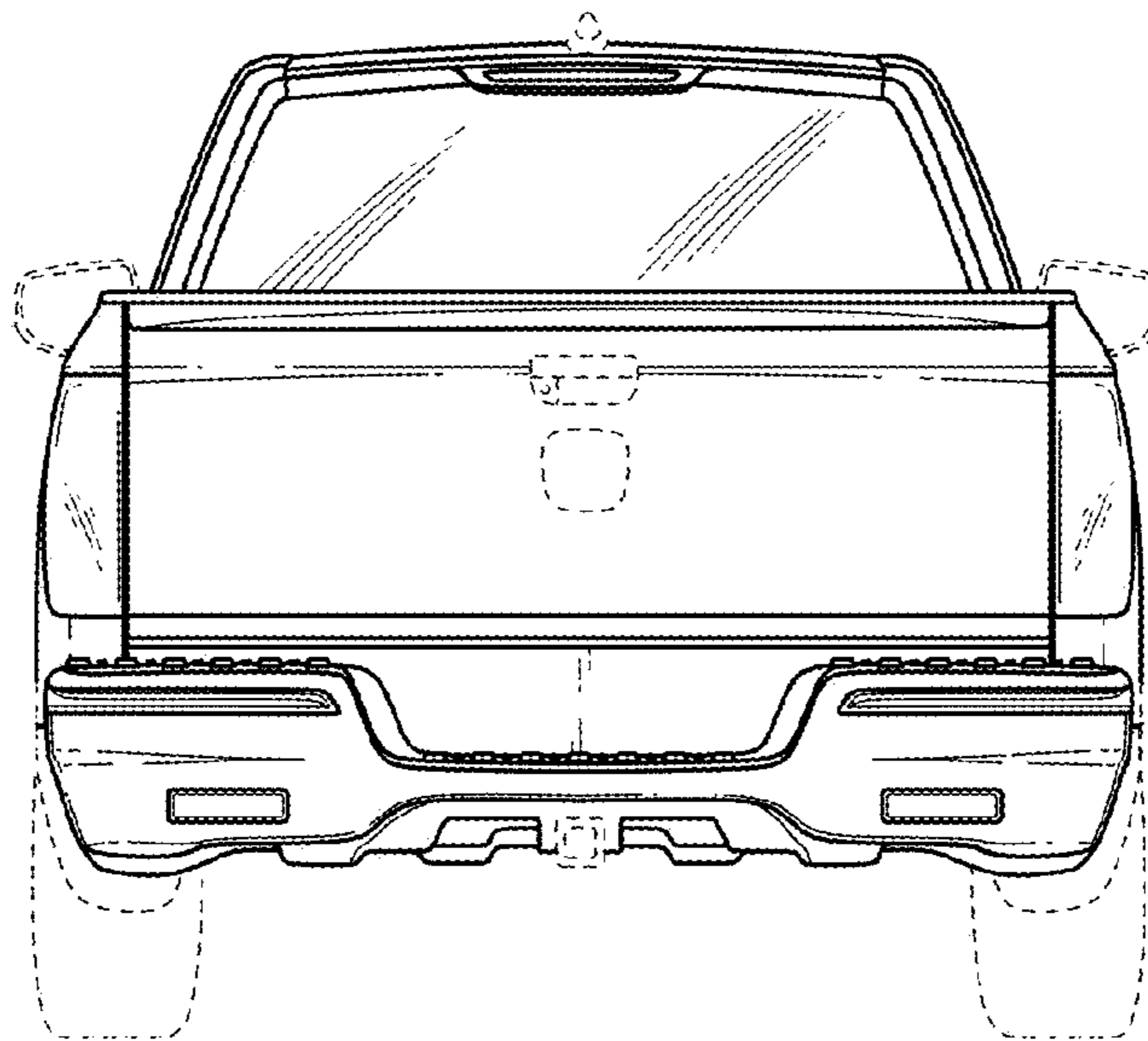


FIG. 5

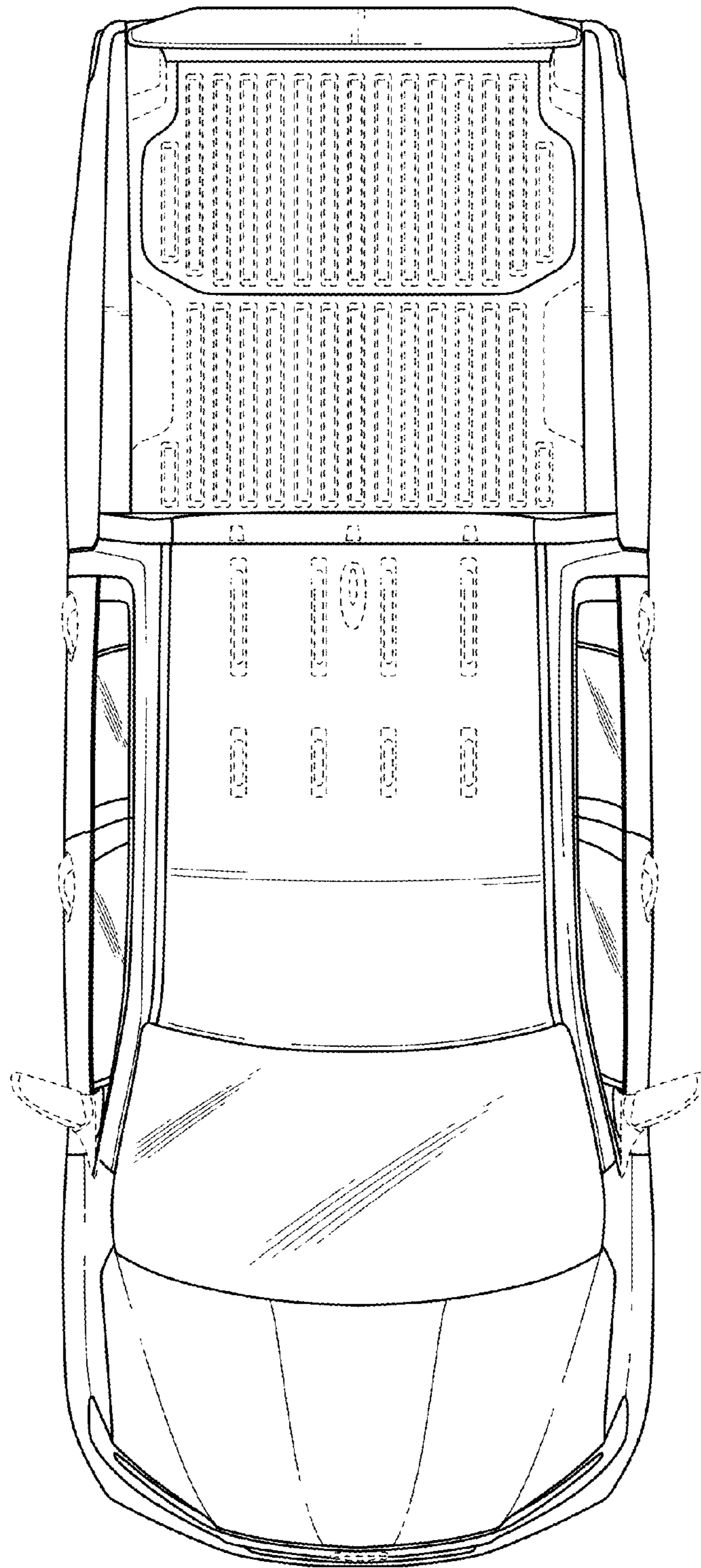


FIG. 6