



US00D759541S

(12) **United States Design Patent**  
**Hasegawa**

(10) **Patent No.:** **US D759,541 S**  
(45) **Date of Patent:** **\*\* Jun. 21, 2016**

(54) **AUTOMOBILE AND/OR REPLICA THEREOF**

(71) Applicant: **HONDA MOTOR CO., LTD.**, Tokyo  
(JP)

(72) Inventor: **Masaru Hasegawa**, Wako (JP)

(73) Assignee: **HONDA MOTOR CO., LTD.**, Tokyo  
(JP)

(\*\*) Term: **14 Years**

(21) Appl. No.: **29/510,136**

(22) Filed: **Nov. 25, 2014**

(30) **Foreign Application Priority Data**

May 30, 2014 (JP) ..... 2014-011707

(51) **LOC (10) Cl.** ..... **12-08**

(52) **U.S. Cl.**  
USPC ..... **D12/91**

(58) **Field of Classification Search**  
USPC ..... D12/86, 90-92, 88; D21/421, 433, 434;  
296/181.1, 181.5  
CPC ..... B62D 35/00; B62D 25/00; B62D 25/06;  
B62D 33/00  
See application file for complete search history.

(56) **References Cited**

**U.S. PATENT DOCUMENTS**

D591,647 S \* 5/2009 Wang ..... D12/91  
D605,557 S \* 12/2009 Murakami ..... D12/91

D605,558 S \* 12/2009 Koman ..... D12/91  
D605,979 S \* 12/2009 Sahs ..... D12/91  
D638,752 S \* 5/2011 Date ..... D12/91  
D648,247 S \* 11/2011 Nemoto ..... D12/91  
D691,515 S \* 10/2013 Tada ..... D12/91  
D692,347 S \* 10/2013 Tada ..... D12/91  
D695,150 S \* 12/2013 Tsutamori ..... D12/91  
D696,156 S \* 12/2013 Campbell ..... D12/91  
D696,607 S \* 12/2013 Campbell ..... D12/91  
D719,876 S \* 12/2014 Tsutamori ..... D12/91

\* cited by examiner

*Primary Examiner* — Melody N Brown

(74) *Attorney, Agent, or Firm* — Westerman, Hattori,  
Daniels & Adrian, LLP

(57) **CLAIM**

The ornamental design for an automobile and/or replica thereof, as shown and described.

**DESCRIPTION**

FIG. 1 is a front view of an automobile and/or replica thereof;  
FIG. 2 is a rear view thereof;  
FIG. 3 is a top plan view thereof;  
FIG. 4 is a right side view thereof;  
FIG. 5 is a left side view thereof;  
FIG. 6 is a front perspective view thereof; and,  
FIG. 7 is a rear perspective view thereof.

The broken lines illustrate environmental structure only and form no part of the claimed design.

**1 Claim, 4 Drawing Sheets**

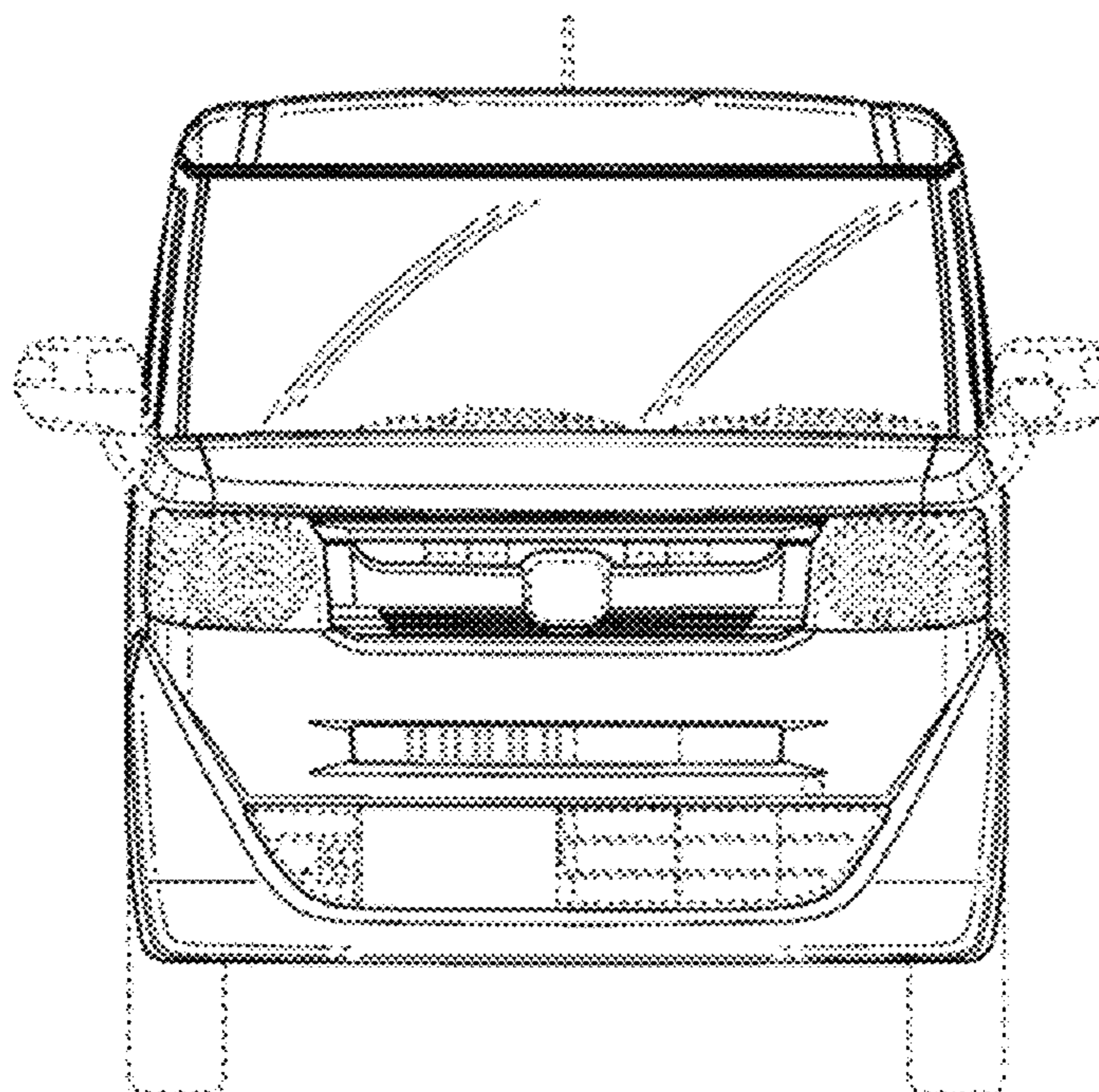


FIG. 1

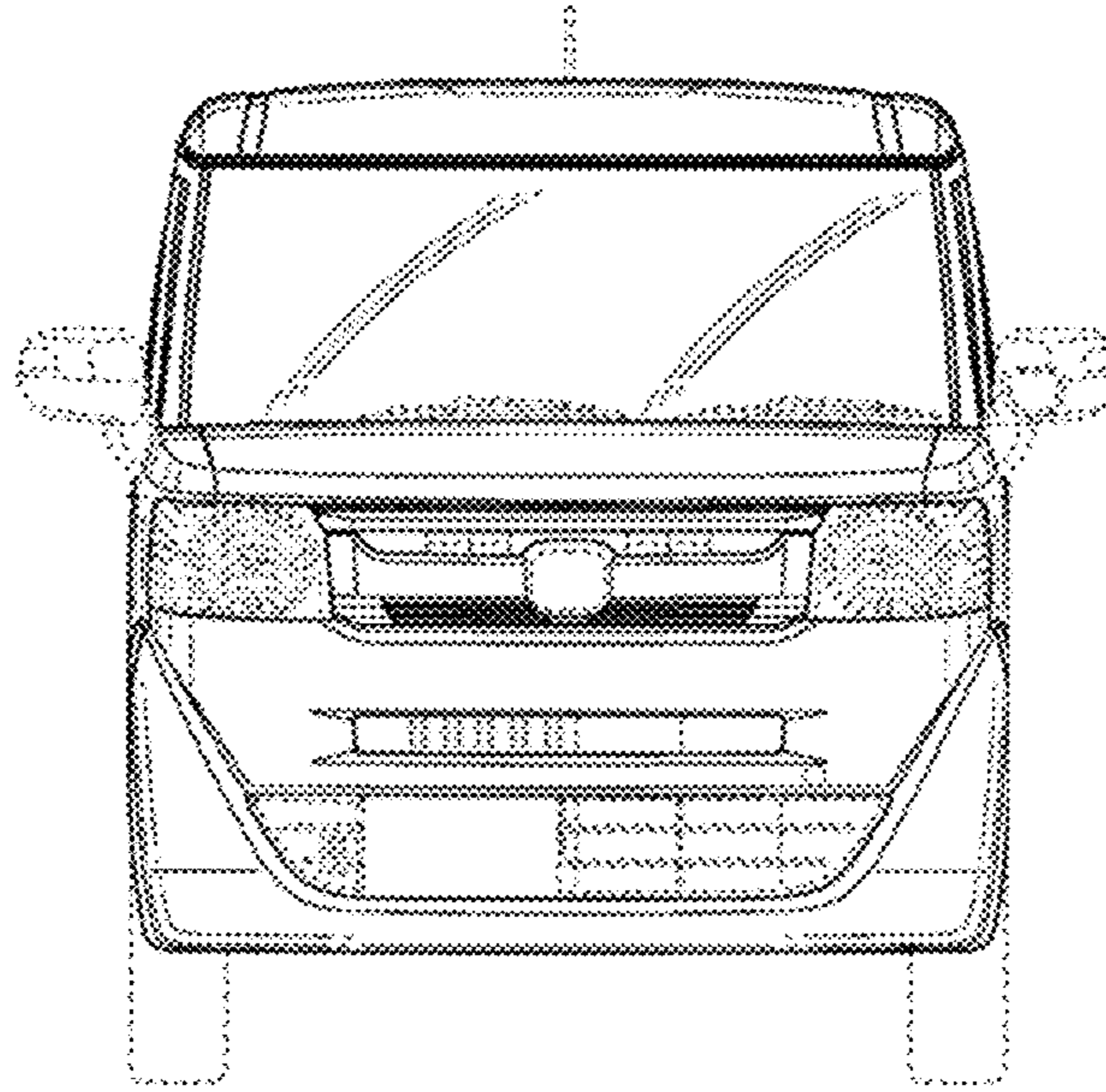


FIG. 2

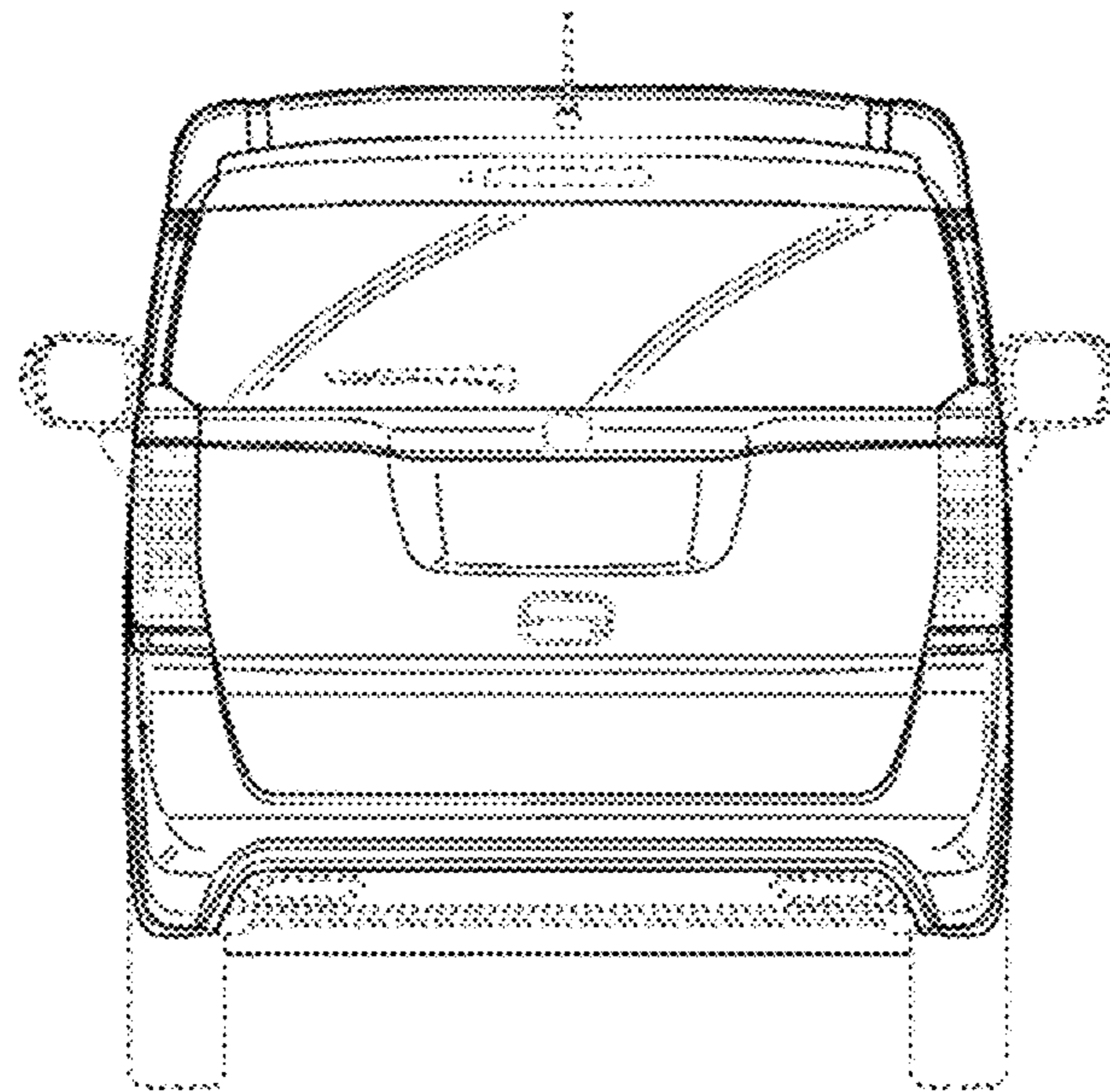


FIG.3

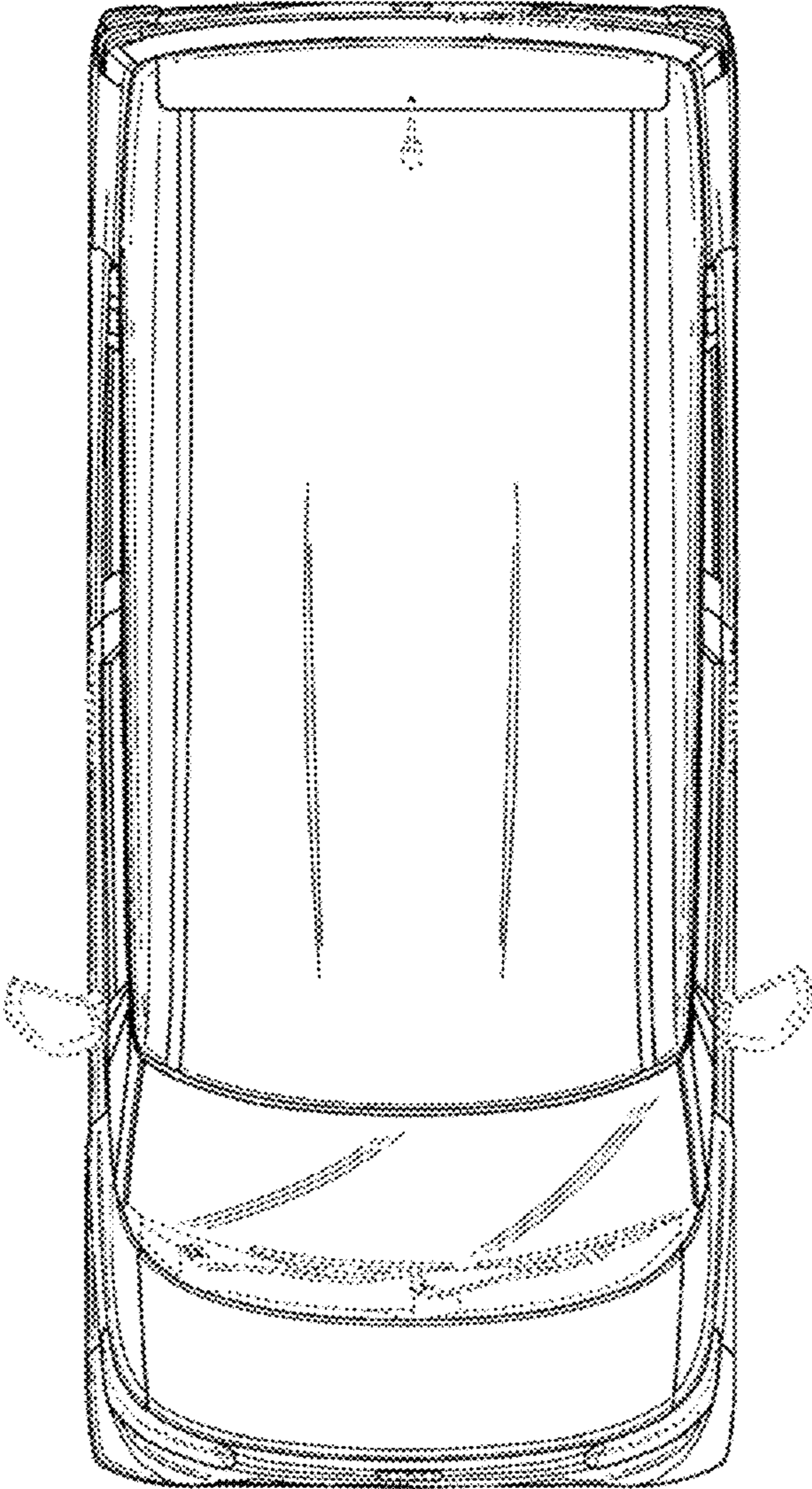


FIG.4

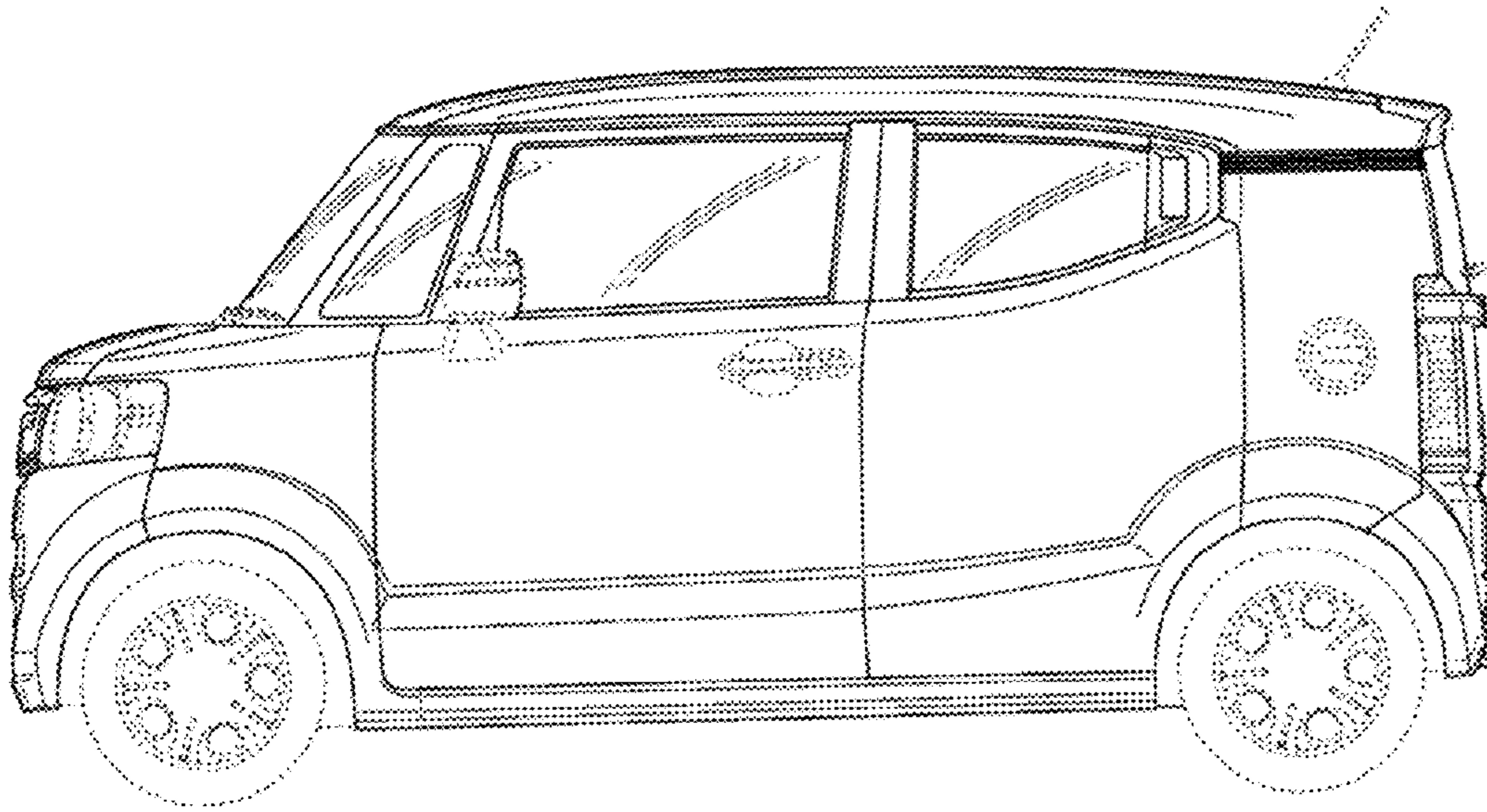


FIG.5

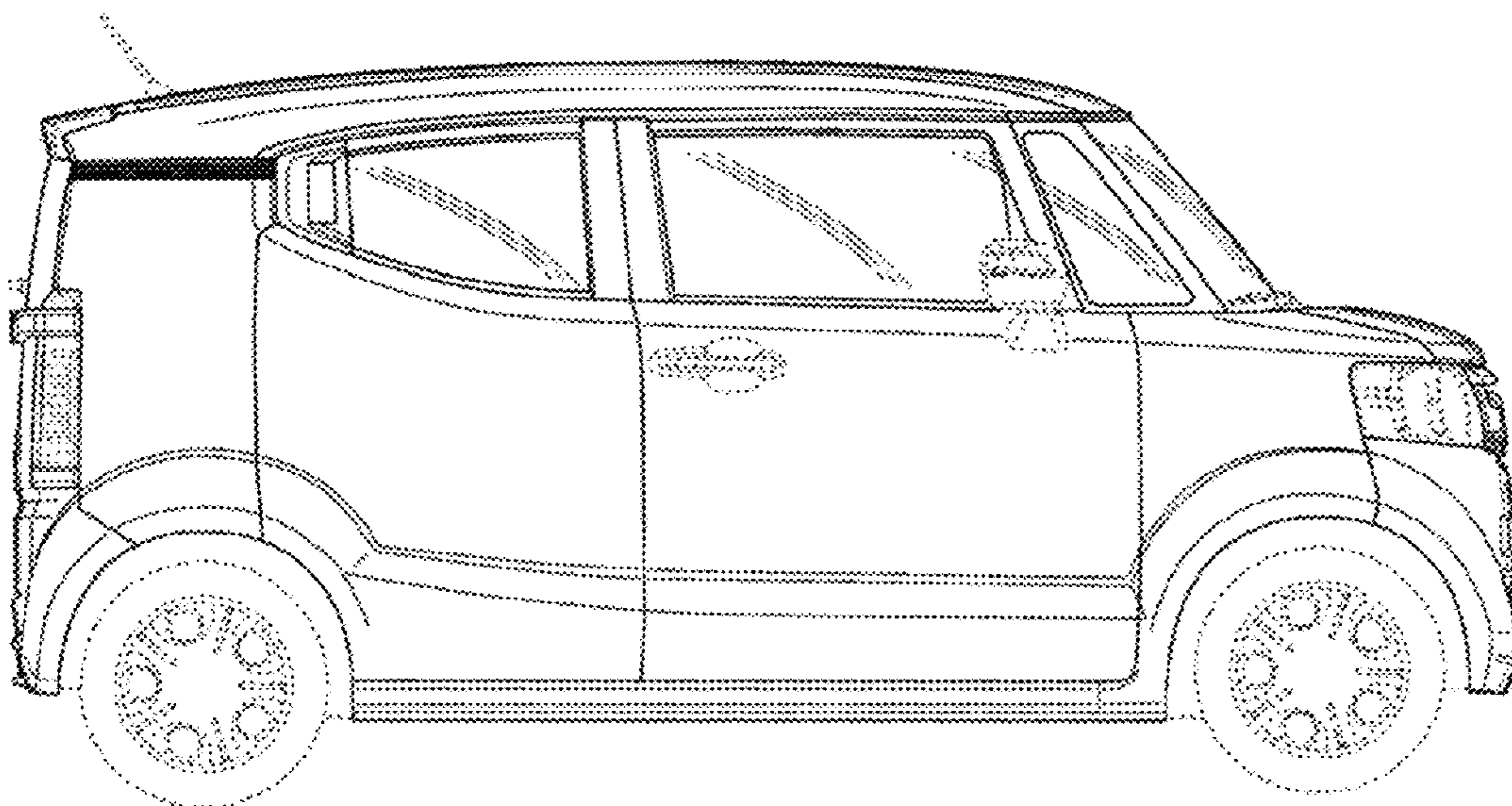


FIG.6

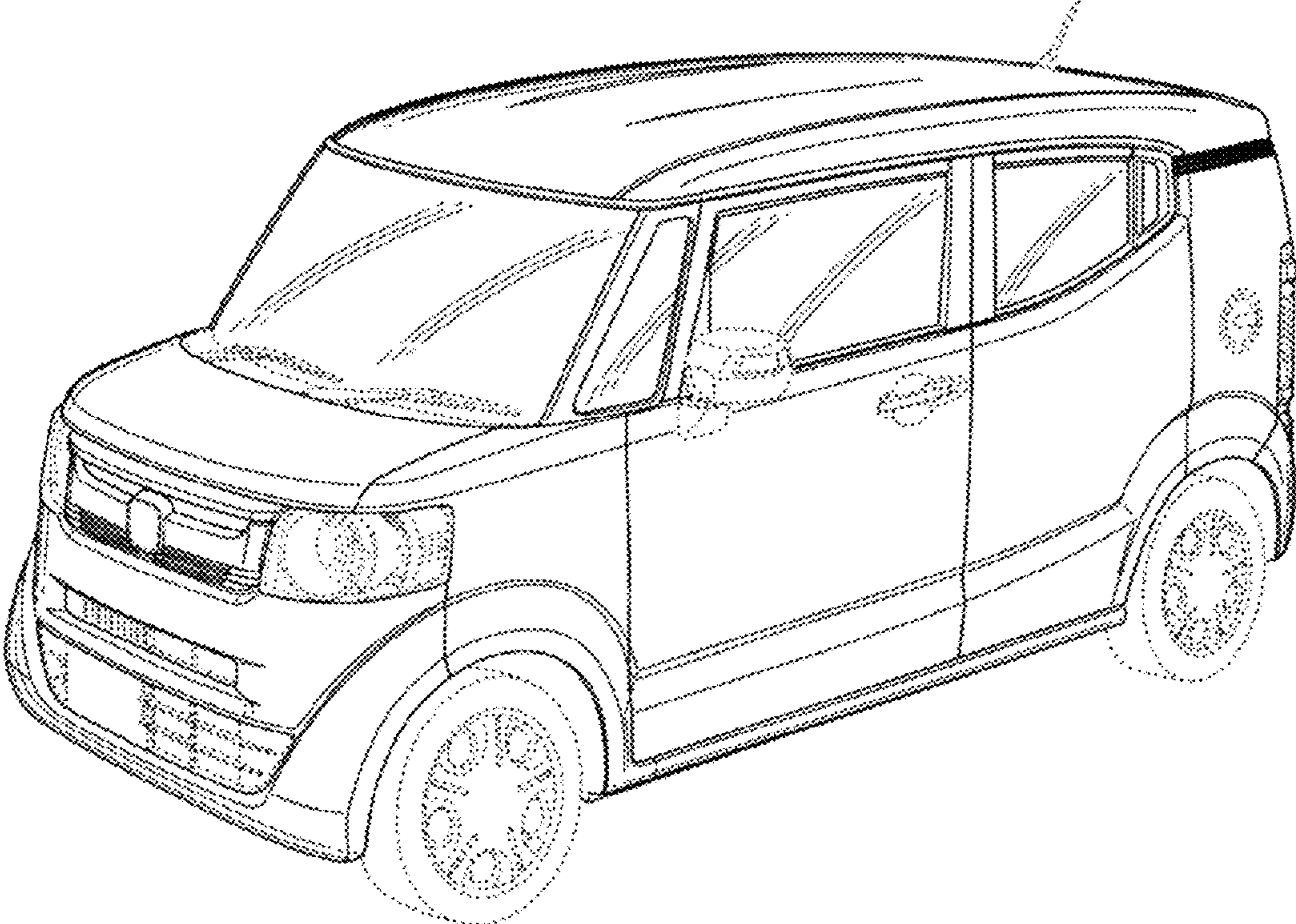


FIG.7

