



US00D759532S

(12) **United States Design Patent**
Mazzá

(10) **Patent No.:** **US D759,532 S**
(45) **Date of Patent:** **** Jun. 21, 2016**

(54) **CHAIN FOR NECKLACES OR BRACELETS**

(71) Applicant: **Anna Maria Mazzá**, Milan (IT)

(72) Inventor: **Anna Maria Mazzá**, Milan (IT)

(**) Term: **14 Years**

(21) Appl. No.: **29/495,875**

(22) Filed: **Jul. 7, 2014**

(30) **Foreign Application Priority Data**

Feb. 17, 2014 (EM) 002406108-0002

(51) **LOC (10) CL.** **11-01**

(52) **U.S. CL.**
USPC **D11/13**

(58) **Field of Classification Search**
USPC D11/1-25, 86, 87, 93, 200, 213; 59/3,
59/4, 78, 82, 83, 92, 80, 901, 95, 93
CPC A44C 5/0015; A44C 5/0023; A44C 5/00;
A44C 5/0084; A44C 5/0092; A44C 5/02;
A44C 5/022; A44C 5/025; A44C 5/027;
A44C 5/04; A44C 5/06; A44C 5/08; A44C
5/10; A44C 5/102; A44C 5/105; A44C 5/107;
A44C 5/18; A44C 5/185; A44C 5/20; A44C
5/2009; A44C 5/2014; A44C 11/00; A44C
11/005; A44C 11/007; A44C 15/005
See application file for complete search history.

(56) **References Cited**

U.S. PATENT DOCUMENTS

1,373,395 A * 4/1921 Allsopp A44C 5/02
59/80
1,426,884 A * 8/1922 Levy A44V 5/02
59/78.1
1,426,885 A * 8/1922 Levy A44C 5/02
59/80
1,439,978 A * 12/1922 Renault A44C 5/027
59/80
1,567,086 A * 12/1925 Schraysshuen A44C 11/00
59/80
1,680,628 A * 8/1928 Newman A44C 5/105
59/80

1,927,044 A * 9/1933 Nelson A44C 5/08
59/79.3
D171,744 S * 3/1954 Augenstein D11/25
3,225,565 A * 12/1965 Bohlinger A44C 5/209
24/116 A
D256,789 S * 9/1980 Mazzini D11/13
D256,899 S * 9/1980 Mazzini D11/13
4,361,303 A * 11/1982 Lanphear F16M 13/00
248/188.1
4,392,344 A * 7/1983 Gordon F16G 13/16
138/120
D284,176 S * 6/1986 Battersby D11/80
D309,619 S * 7/1990 Kalbach D16/339
D312,985 S * 12/1990 Sprick D11/213
D334,151 S * 3/1993 Bichi 59/80

(Continued)

OTHER PUBLICATIONS

[Online] <https://s-media-cache-ak0.pinimg.com/564x/14/74/21/1474215e7f7dc4069da4706951fd181d.jpg>. Retrieved Feb. 18, 2016.*

(Continued)

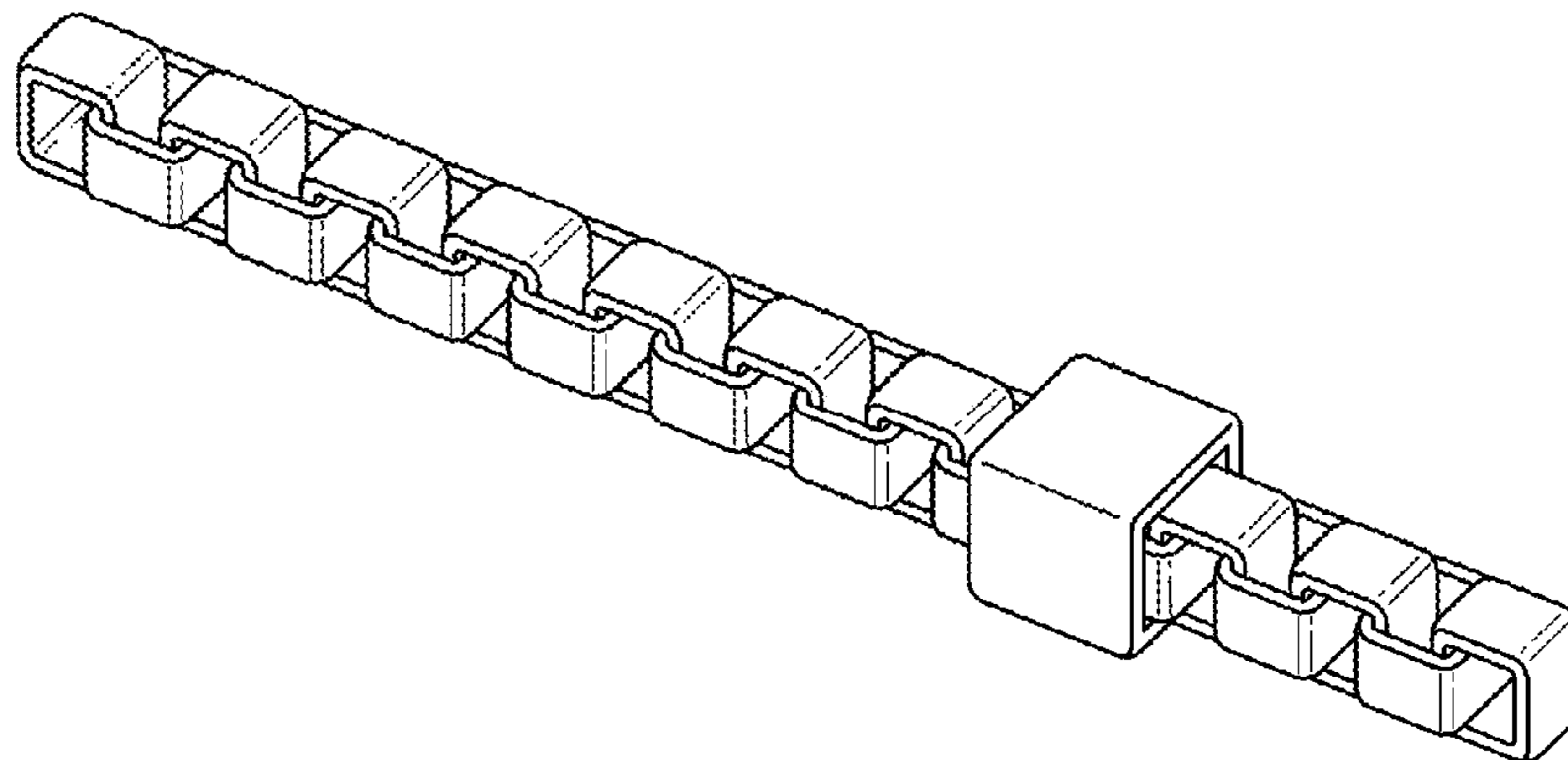
Primary Examiner — Garth Rademaker
Assistant Examiner — Melanie Pellegrini
(74) *Attorney, Agent, or Firm* — Lucas & Mercanti, LLP.

(57) **CLAIM**
The ornamental design for a chain for necklaces or bracelets, as shown and described.

DESCRIPTION

FIG. 1 is a perspective view of a chain for necklaces or bracelets showing my new design;
FIG. 2 is a top view thereof;
FIG. 3 is a front view thereof;
FIG. 4 is a right side view thereof, the left side being a mirror image;
FIG. 5 is another perspective view thereof, with the cube-shaped element placed in a second position along the chain in order to show that it is slidable;
FIG. 6 is a top view thereof; and,
FIG. 7 is a front view thereof.

1 Claim, 2 Drawing Sheets



(56)

References Cited

U.S. PATENT DOCUMENTS

D356,520 S * 3/1995 Bartky D11/87
5,611,144 A * 3/1997 Guský A44C 5/025
29/896.411
D517,942 S * 3/2006 Stern D11/86
7,540,172 B2 * 6/2009 Julkowski A44C 5/0053
63/3
7,669,401 B2 * 3/2010 Schneider B21L 9/06
59/35.1

D638,330 S * 5/2011 Fahrendorff D11/200
8,573,003 B2 * 11/2013 Kaupp A44C 15/005
24/303

OTHER PUBLICATIONS

[Online] <http://images.prod.meredith.com/product/272198866df91634f94f612ff5ba48ec/f126220e777b0371fc01ef2-b4a847c069deb68d6ef91a3596d2de2ec48e3536f/1/18k-yellow-gold-mini-pois-moi-cube-necklace-neiman-marcus>. Retrieved Feb. 18, 2016.*

* cited by examiner

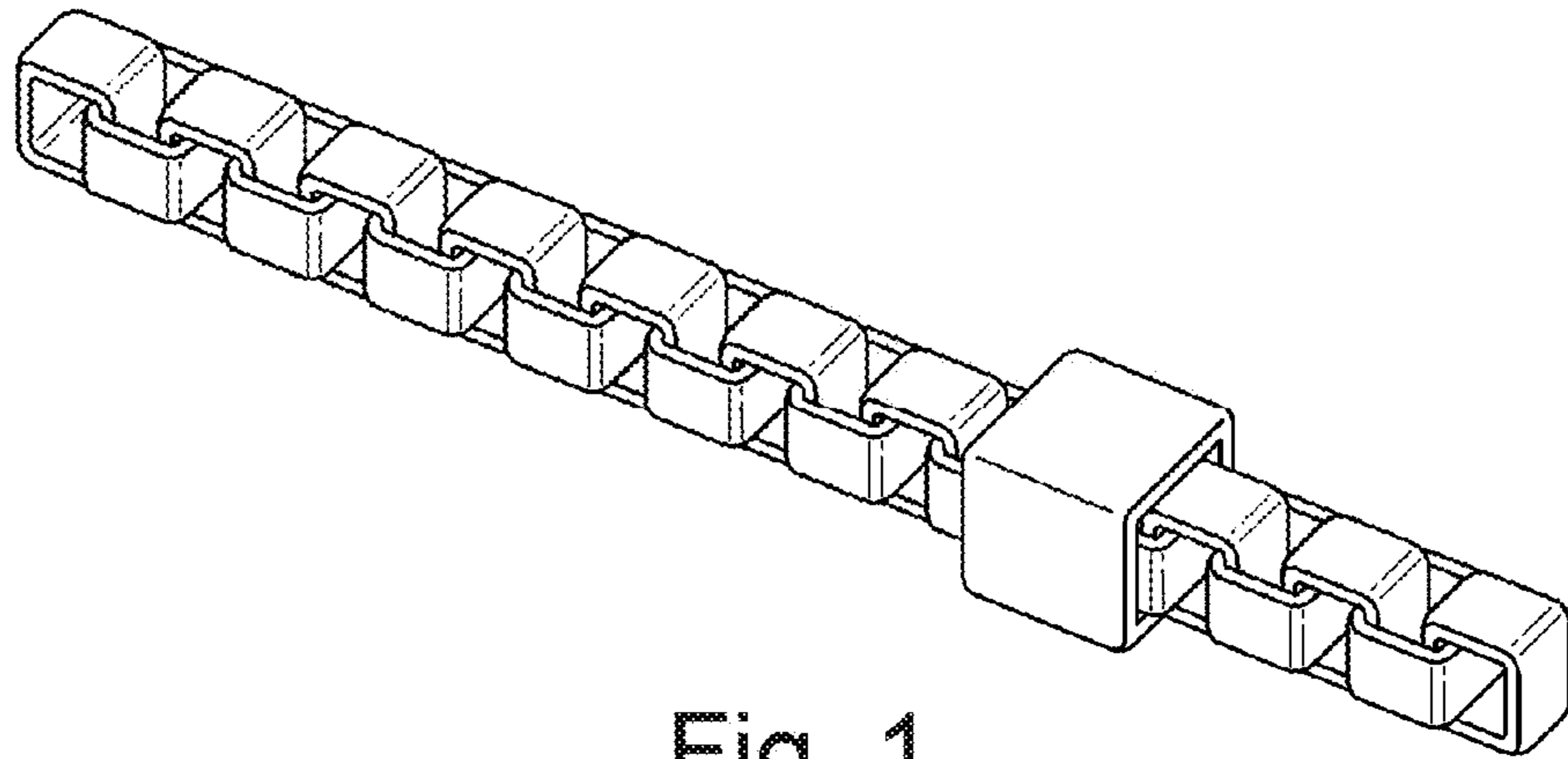


Fig. 1

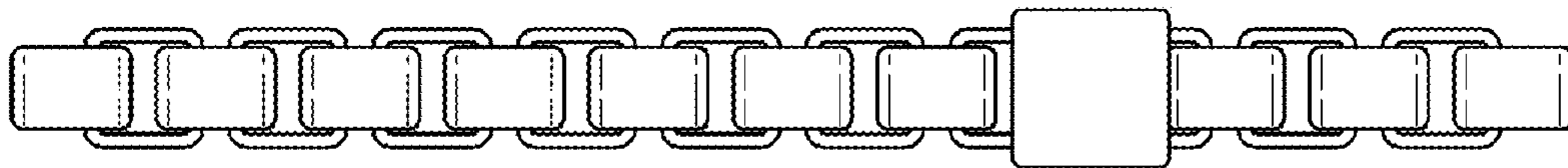


Fig. 2

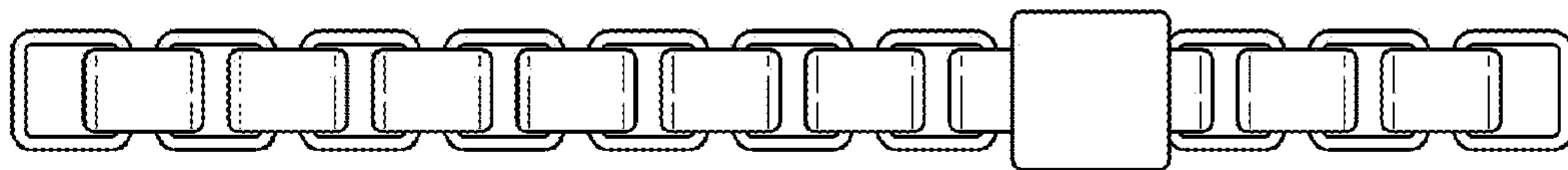


Fig. 3

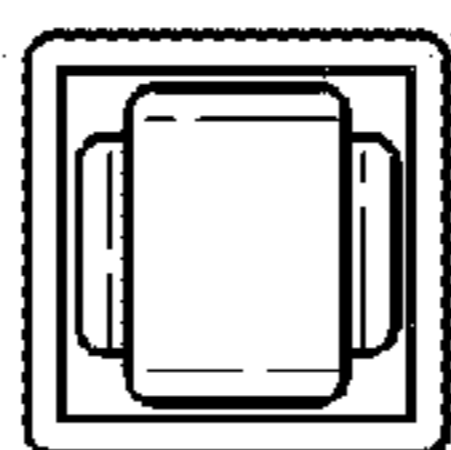


Fig. 4

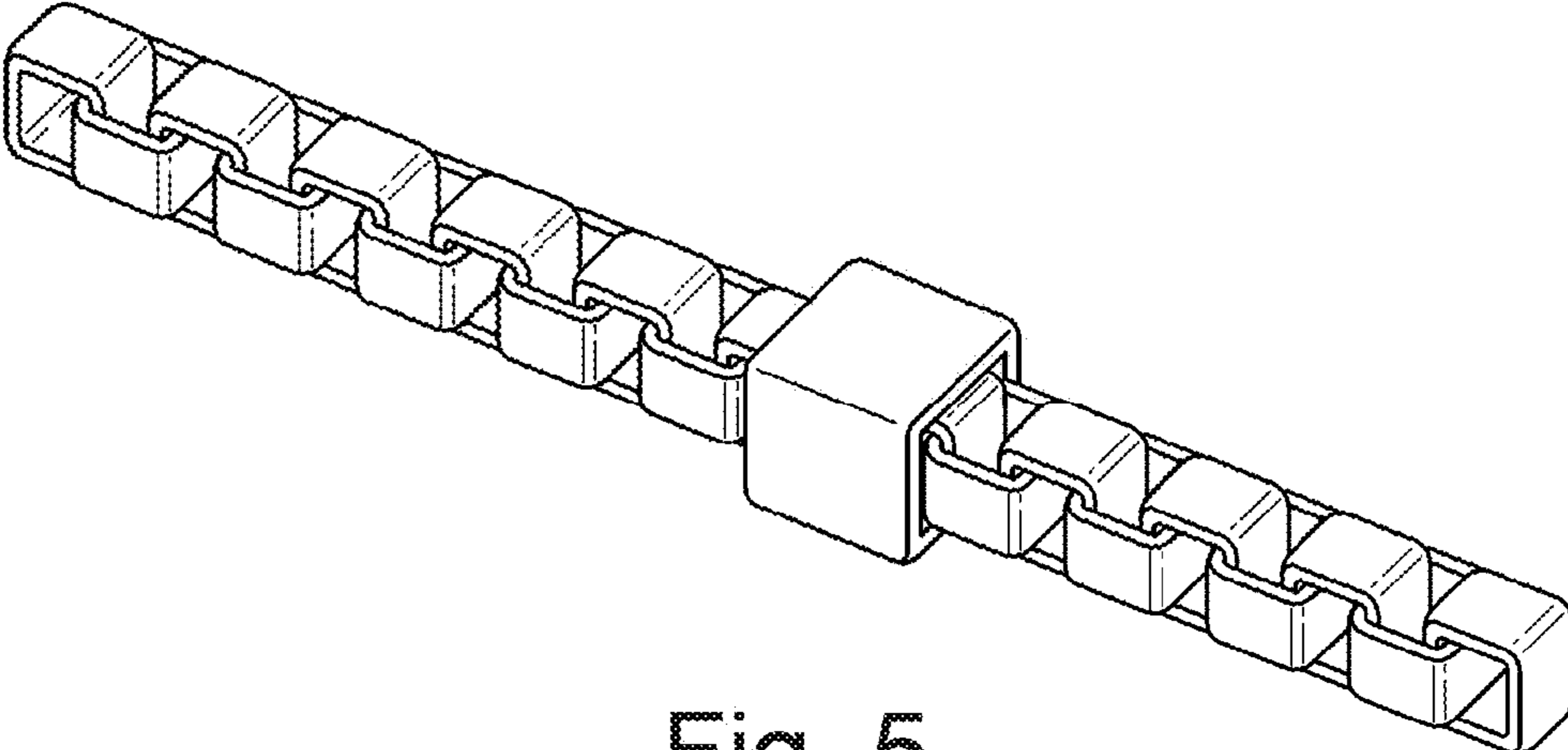


Fig. 5

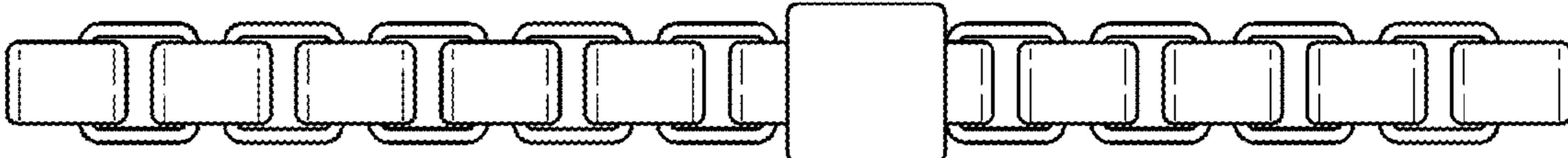


Fig. 6

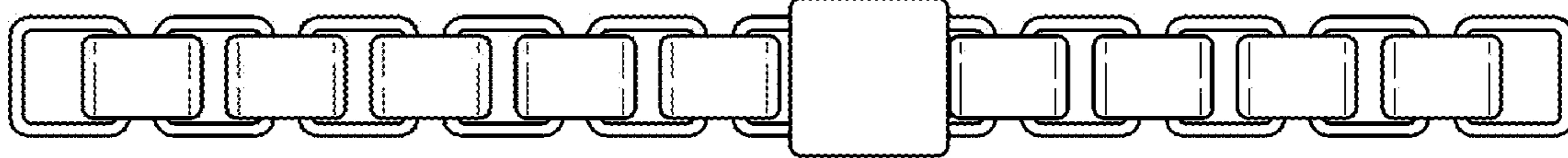


Fig. 7