



US00D759529S

(12) **United States Design Patent**
Mesica

(10) **Patent No.:** **US D759,529 S**
(45) **Date of Patent:** **** Jun. 21, 2016**

- (54) **BRACELET**
- (71) Applicant: **ZURI JEWELRY LTD.**, Tel Aviv (IL)
- (72) Inventor: **Zuri Mesica**, Tel Aviv (IL)
- (73) Assignee: **Zuri Jewelry Ltd.**, Tel Aviv (IL)
- (**) Term: **14 Years**
- (21) Appl. No.: **29/515,684**
- (22) Filed: **Jan. 26, 2015**

- (30) **Foreign Application Priority Data**
- Aug. 7, 2014 (IL) 55892
- (51) **LOC (10) Cl.** **11-01**
- (52) **U.S. Cl.**
- USPC **D11/5**
- (58) **Field of Classification Search**
- USPC D11/1-39; 63/1.11, 1.12, 1.13, 1.14,
63/1.15, 3, 3.1, 3.2, 4, 5.1, 5.2, 6, 7, 8, 9,
63/10, 11, 15, 15.1, 15.2, 15.3, 15.4,
63/15.45, 15.5, 15.6, 15.65, 15.7, 15.8,
63/15.9; D14/344, 411
- CPC .. A44C 5/0007; A44C 5/0069; A44C 5/0084;
A44C 5/003; A44C 15/003; A44C 15/0075;
A44C 17/0208; C09D 179/08
- See application file for complete search history.

- (56) **References Cited**
- U.S. PATENT DOCUMENTS
- D39,036 S * 1/1908 Mitchell D11/5
- D356,306 S * 3/1995 Ady D14/411

- D456,296 S * 4/2002 Ambar D11/4
- D470,431 S * 2/2003 Valentini D11/5
- D515,450 S * 2/2006 Schiesl-Griesinger D11/4
- D653,149 S * 1/2012 Behar D11/5
- D678,801 S * 3/2013 Takahashi D11/37
- D732,994 S * 6/2015 Wentz D11/5
- D741,211 S * 10/2015 Kahn D11/3
- D748,624 S * 2/2016 Magi D14/344

OTHER PUBLICATIONS

Stylus Pen Wrist Band for Touchscreen, MobileFun.co.uk, earliest review on Dec. 20, 2013, online. Acquired Feb. 3, 2016. Web URL:<"http://www.mobilefun.co.uk/39304-stylus-pen-wrist-band-for-touchscreen-black-Reviews.htm#reviews">.*

* cited by examiner

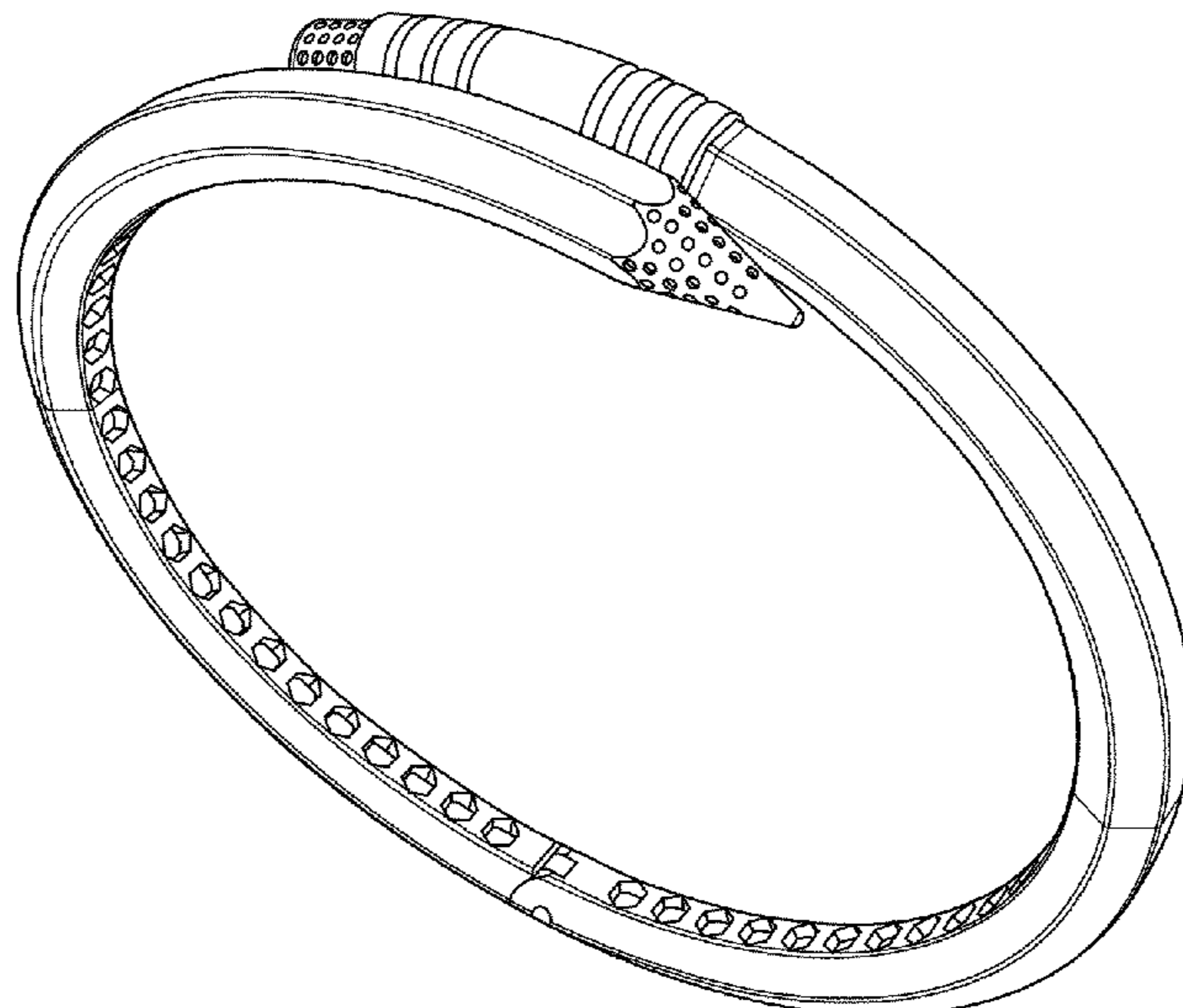
Primary Examiner — Cynthia Ramirez
Assistant Examiner — Llorellys Martinez-Rivera
(74) *Attorney, Agent, or Firm* — Roach Brown McCarthy & Gruber, P.C.; Kevin D. McCarthy

(57) **CLAIM**
The ornamental design for a bracelet, as shown and described.

DESCRIPTION

FIG. 1 is a perspective view of a bracelet showing my new design;
FIG. 2 is a left side view thereof;
FIG. 3 is a right side view thereof;
FIG. 4 is a front side view thereof;
FIG. 5 is a rear side view thereof;
FIG. 6 is a top view thereof; and,
FIG. 7 is a bottom view thereof.

1 Claim, 4 Drawing Sheets



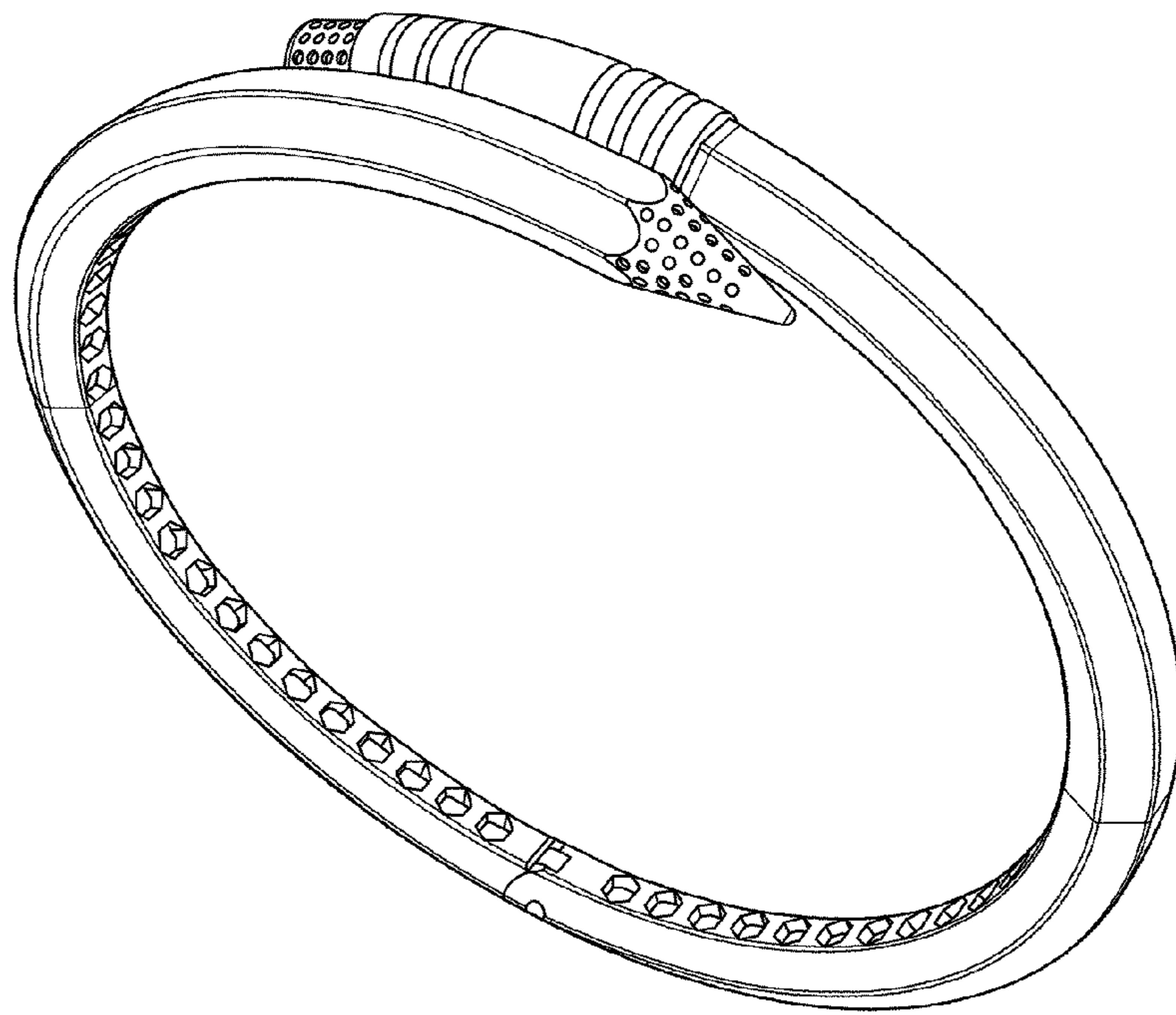


FIG. 1

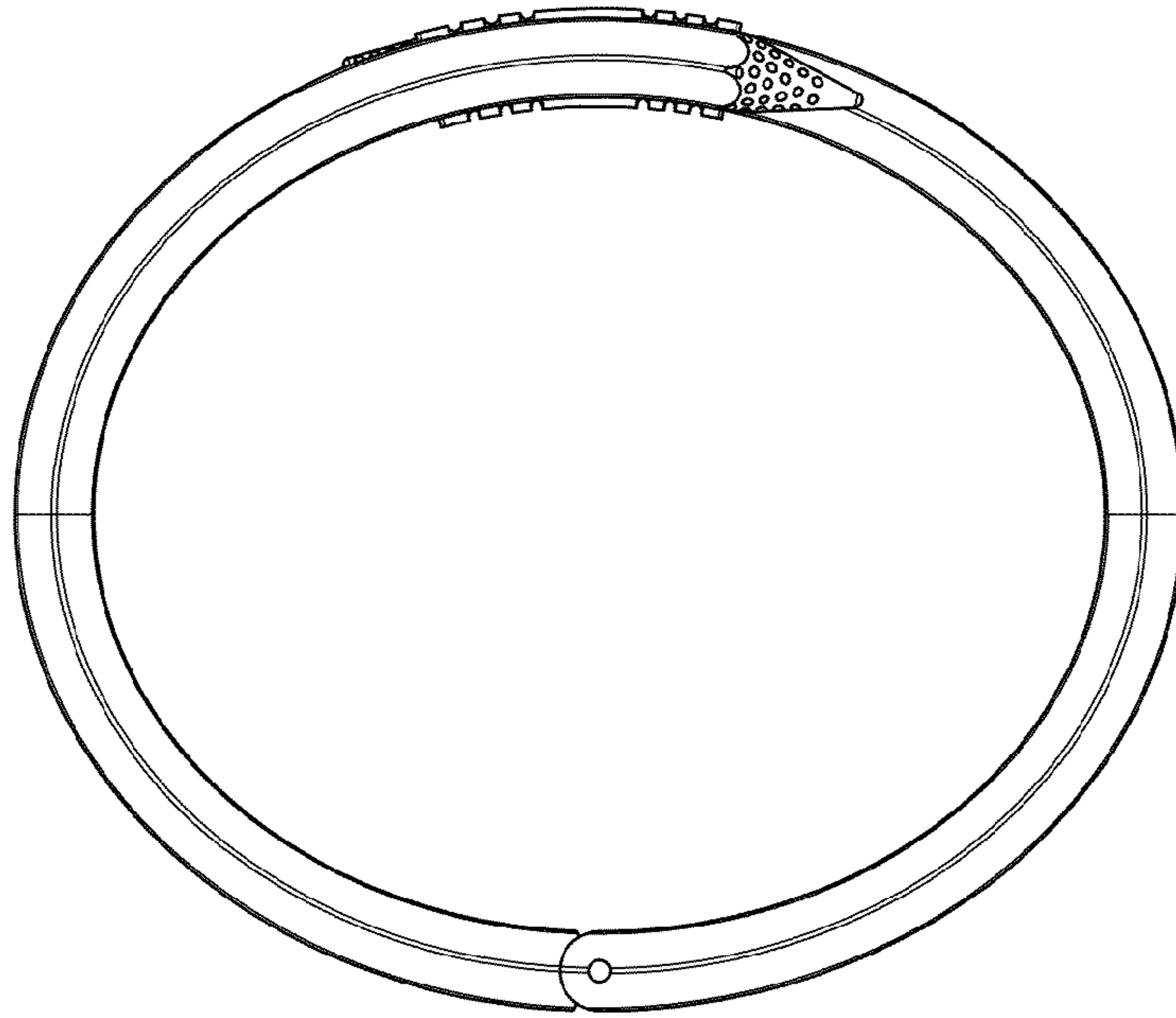


FIG. 2

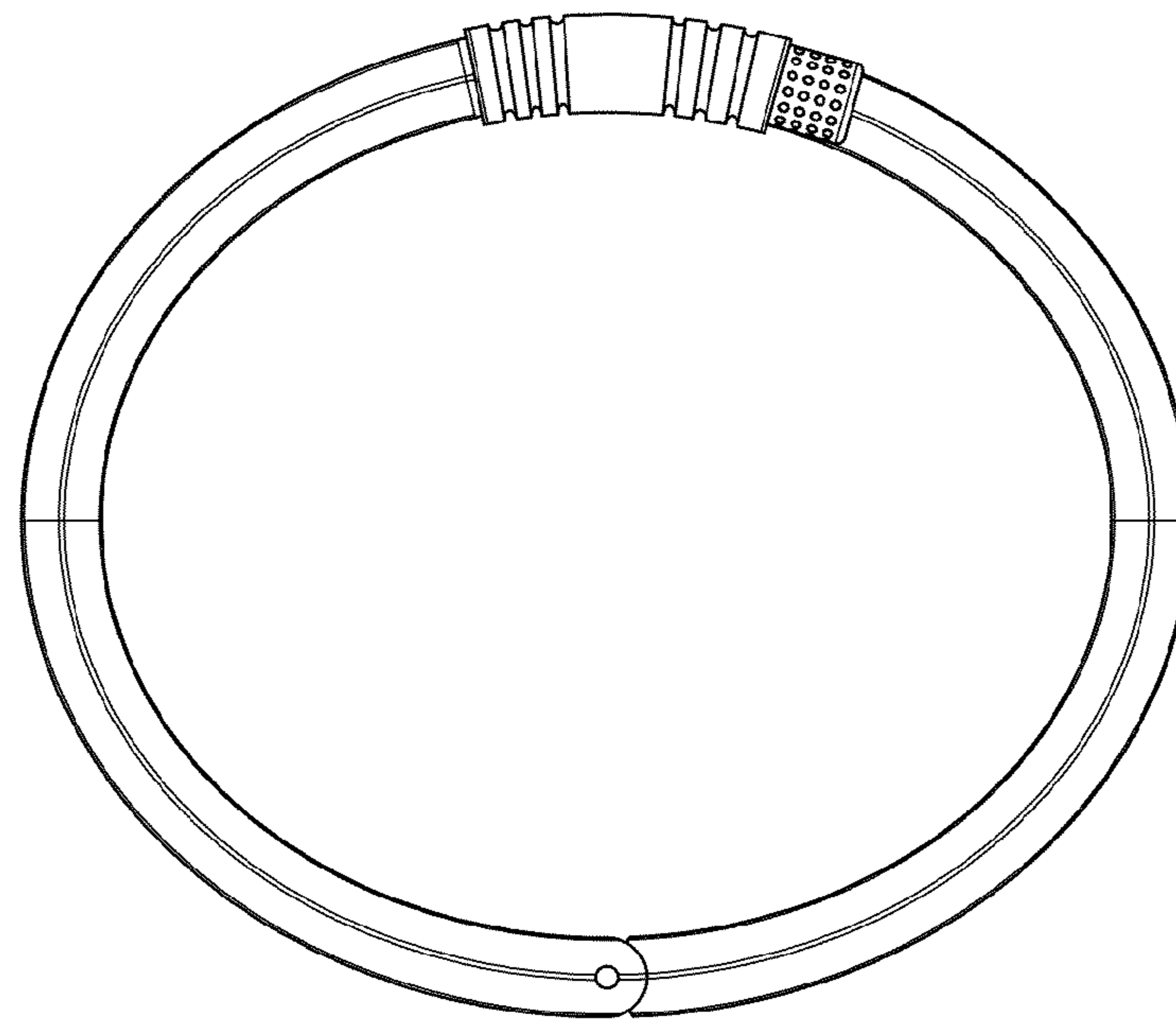


FIG. 3

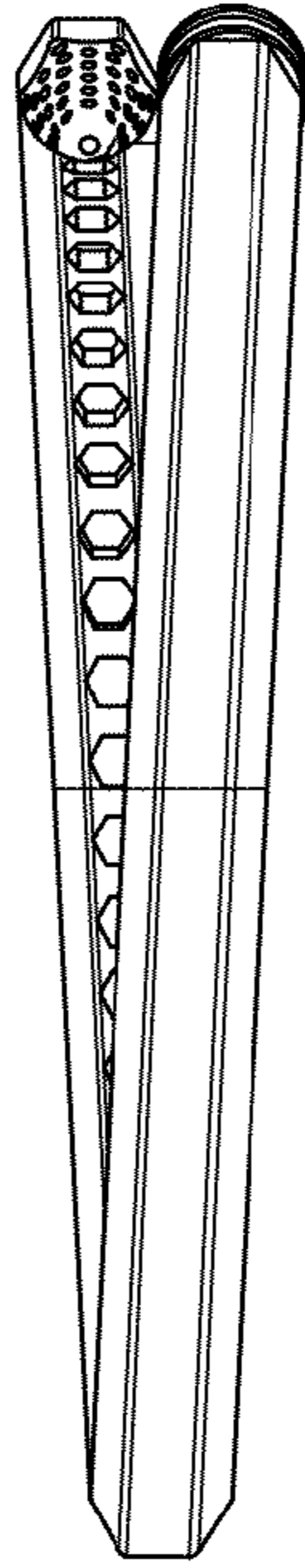


FIG. 4

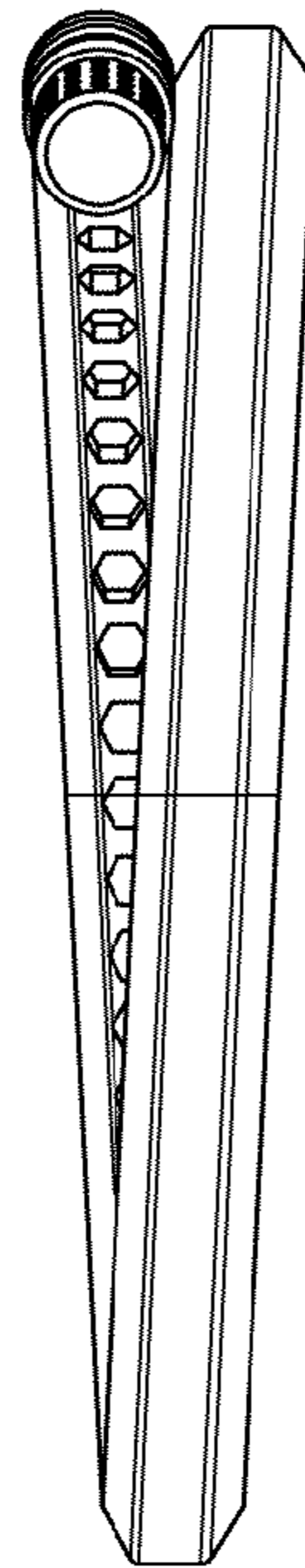


FIG. 5

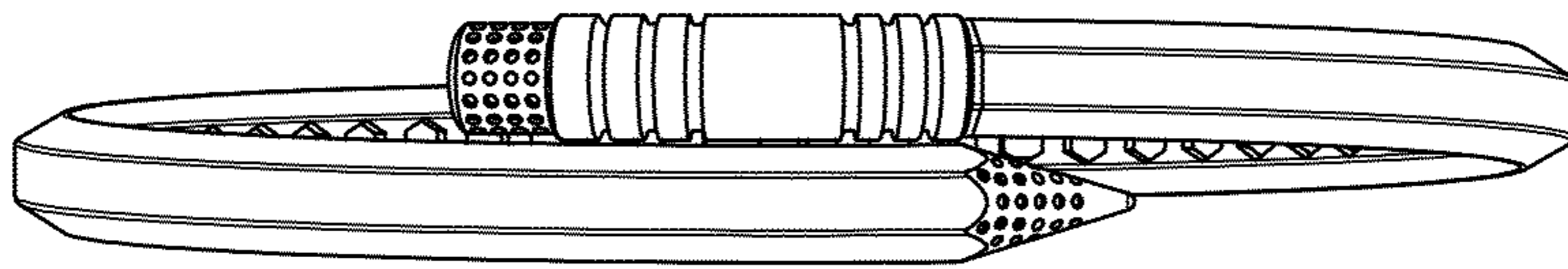


FIG. 6

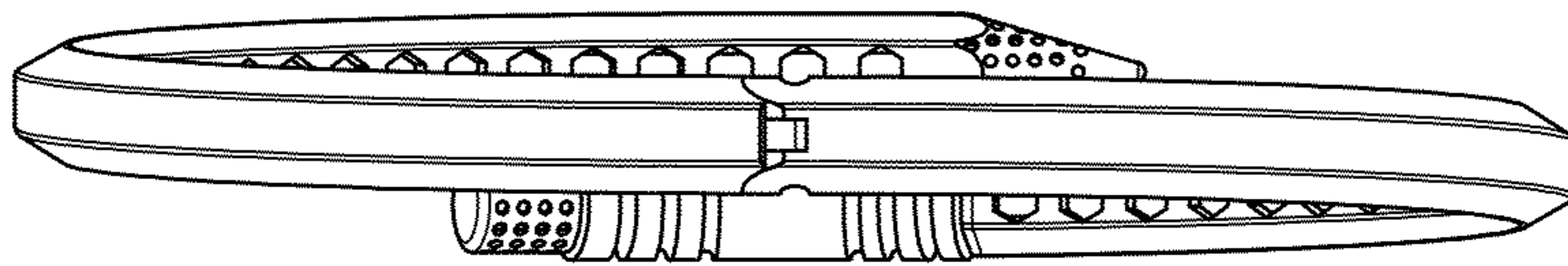


FIG. 7