



US00D759528S

(12) **United States Design Patent**
Stepper et al.

(10) **Patent No.:** **US D759,528 S**
(45) **Date of Patent:** **** Jun. 21, 2016**

(54) **BRACELET**

(71) Applicants: **Mark Stepper**, Needham, MA (US);
David Stepper, Cambridge, MA (US)

(72) Inventors: **Mark Stepper**, Needham, MA (US);
David Stepper, Cambridge, MA (US)

(73) Assignee: **Stepper Bros., LLC**, Brighton, MA
(US)

(**) Term: **14 Years**

(21) Appl. No.: **29/485,094**

(22) Filed: **Mar. 14, 2014**

(51) **LOC (10) Cl.** **11-01**

(52) **U.S. Cl.**
USPC **D11/4**

(58) **Field of Classification Search**
USPC D11/1-41, 46, 48, 77-83, 86, 87,
D11/89-90, 93, 94, 100, 138, 184, 200,
D11/201; 63/1.11-1.17, 3, 3.1, 3.2, 4, 5.1,
63/5.2, 6-11, 15, 15.1, 15.4, 15.45, 15.5,
63/15.6, 15.65, 15.7, 21, 22, 24, 25, 33,
63/38; D3/203.1, 203.2, 215, 226;
D10/30, 32, 38; D14/344; D7/633;
D28/41
CPC A44C 5/00; A44C 5/2019; A44C 13/00;
A44C 9/00; A44C 15/002
See application file for complete search history.

(56) **References Cited**

U.S. PATENT DOCUMENTS

554,417	A	2/1896	Forsheim	
1,042,918	A	10/1912	Houck	
D55,788	S *	7/1920	Griffin D11/6
2,015,616	A	9/1935	Clark	
2,052,381	A	8/1936	Chernow	
4,033,143	A	7/1977	Michael	
D247,482	S	3/1978	Schupp	
4,862,435	A	8/1989	Reichel et al.	

D372,680	S *	8/1996	Salva et al. D11/4
5,605,262	A	2/1997	Bond	
D383,698	S *	9/1997	Fletcher D11/40

(Continued)

OTHER PUBLICATIONS

[No Author Listed] Women's Bracelets: Shop Bracelets & Bangles For Women. Express. <http://www.express.com/clothing/Categories/Bracelets/cat/cat570009?pageNumber=1&viewAll=true>. Last accessed via The Wayback Machine on Feb. 27, 2015, noting archive date of Aug. 3, 2013. 6 pages.

(Continued)

Primary Examiner — Cynthia Ramirez

Assistant Examiner — Llorellys Martinez-Rivera

(74) *Attorney, Agent, or Firm* — Wolf, Greenfield & Sacks, P.C.

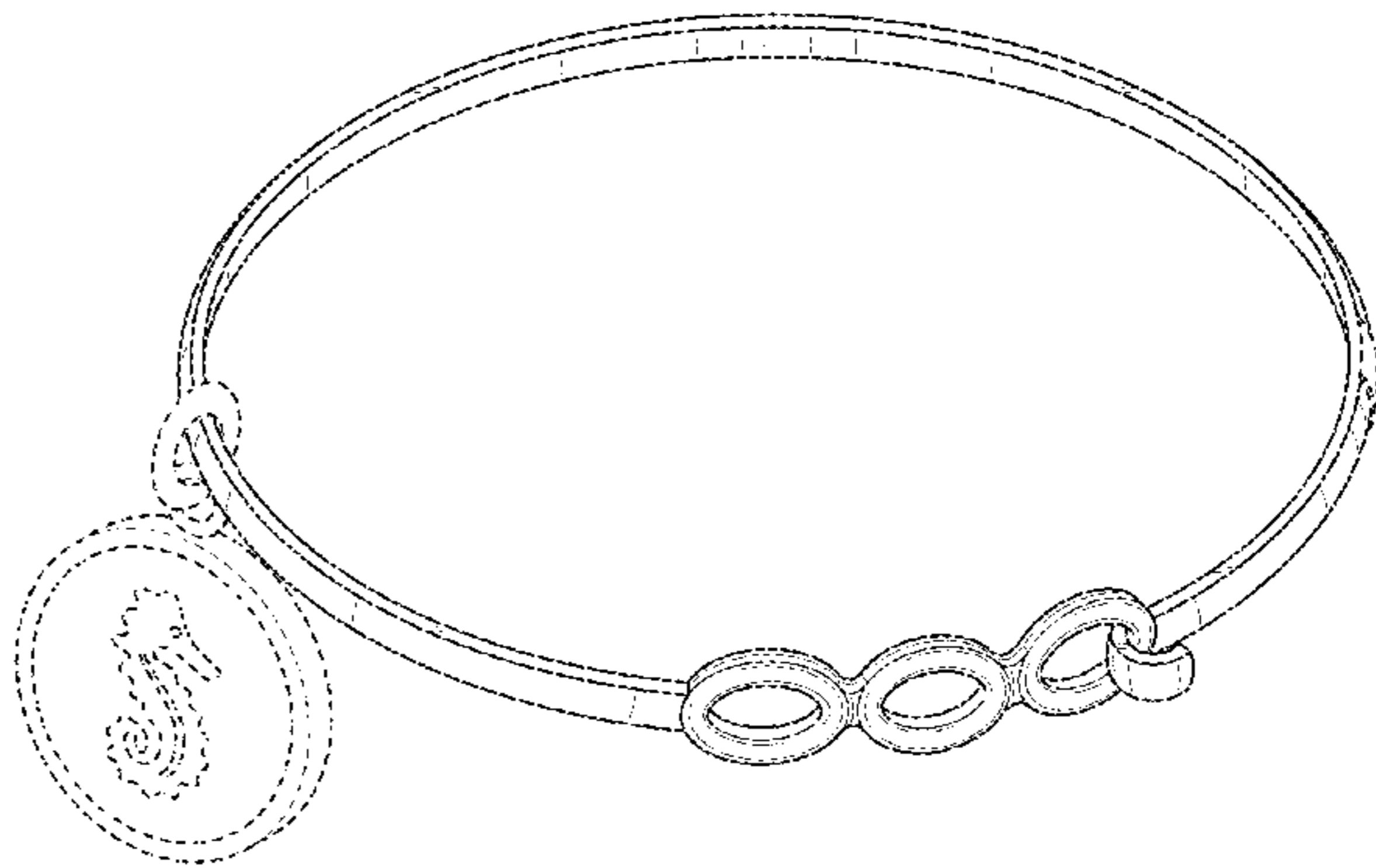
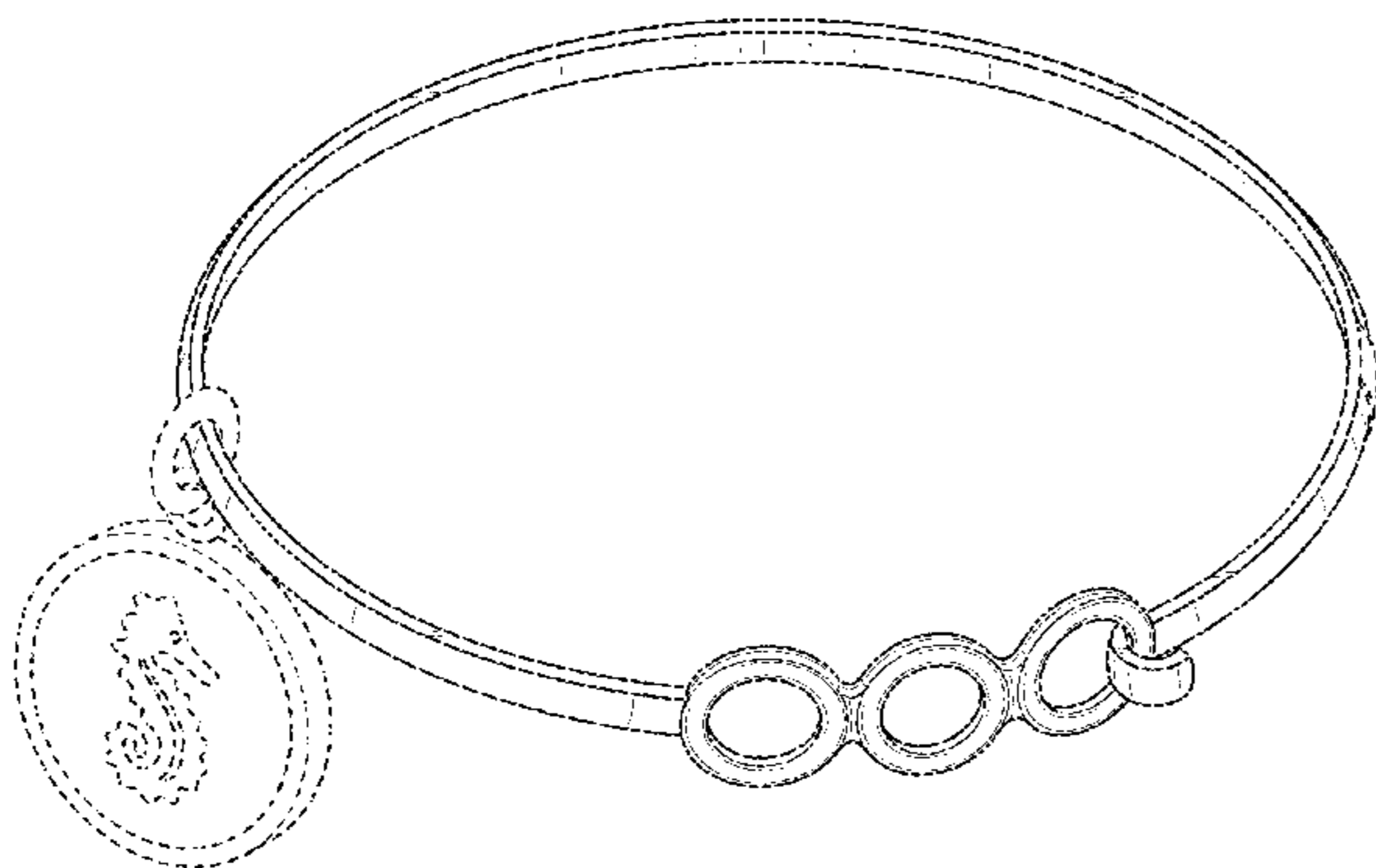
(57) **CLAIM**

The ornamental design for a bracelet, as shown and described.

DESCRIPTION

FIG. 1 is a perspective view of a first embodiment of a bracelet, showing our new design in a closed position; FIG. 2 is a front elevational view thereof; FIG. 3 is a rear elevational view thereof; FIG. 4 is a left side elevational view thereof; FIG. 5 is a right side elevational view thereof; FIG. 6 is a top plan view thereof; FIG. 7 is a bottom plan view thereof; FIG. 8 is another perspective view thereof, showing the bracelet of FIG. 1 in an open position; FIG. 9 is a perspective view of a second embodiment of the bracelet, shown in a closed position; FIG. 10 is a front elevational view of FIG. 9; FIG. 11 is a perspective view of a third embodiment of the bracelet, shown in a closed position; and, FIG. 12 is a front elevational view of FIG. 11. The broken lines shown in FIGS. 1-12 represent unclaimed portions of the bracelet and form no part of the claimed design.

1 Claim, 10 Drawing Sheets



(56)

References Cited

U.S. PATENT DOCUMENTS

D383,702 S * 9/1997 MacDonald D11/79
 5,741,035 A 4/1998 Glass
 5,758,516 A * 6/1998 Uematsu 63/23
 6,155,409 A * 12/2000 Hettinger 63/1.14
 6,470,708 B1 10/2002 Green
 D472,177 S * 3/2003 McCullough-McPherson D11/4
 D474,423 S 5/2003 James
 D484,783 S * 1/2004 Woodhall D8/395
 7,210,313 B1 5/2007 Kay
 D590,289 S * 4/2009 Karpman D11/7
 D591,634 S * 5/2009 Gorman D11/4
 D597,881 S * 8/2009 Hou D11/3
 D616,325 S * 5/2010 Shaforost D11/4
 D684,083 S * 6/2013 Bulgari D11/6
 D694,662 S * 12/2013 Buckley D11/3
 D701,645 S * 3/2014 Noel D28/41

D704,087 S * 5/2014 DiPietro D11/5
 D705,692 S * 5/2014 Mello D11/38
 D707,582 S * 6/2014 DiPietro D11/5
 D712,298 S * 9/2014 Taylor-Cattapan D11/79
 D712,299 S * 9/2014 DiPietro D11/79
 D727,771 S * 4/2015 Lerman D11/3

OTHER PUBLICATIONS

Signed Trifari Vintage Bracelet. Accessed online via <https://www.etsy.com/listing/208878559/signed-trifari-vintage-bracelet-silver> on Feb. 27, 2015. 5 pages.

Trifari—Vintage Trifari hook bracelet! Accessed online via <https://poshmark.com/listing/52f83ba914b1e01b3d0a396a> on Feb. 26, 2015. 4 pages.

The Beauty of Trifari Jewelry. Accessed online via <http://viola.bz/the-beauty-of-trifari-jewelry/> on Feb. 26, 2015. 42 pages.

* cited by examiner

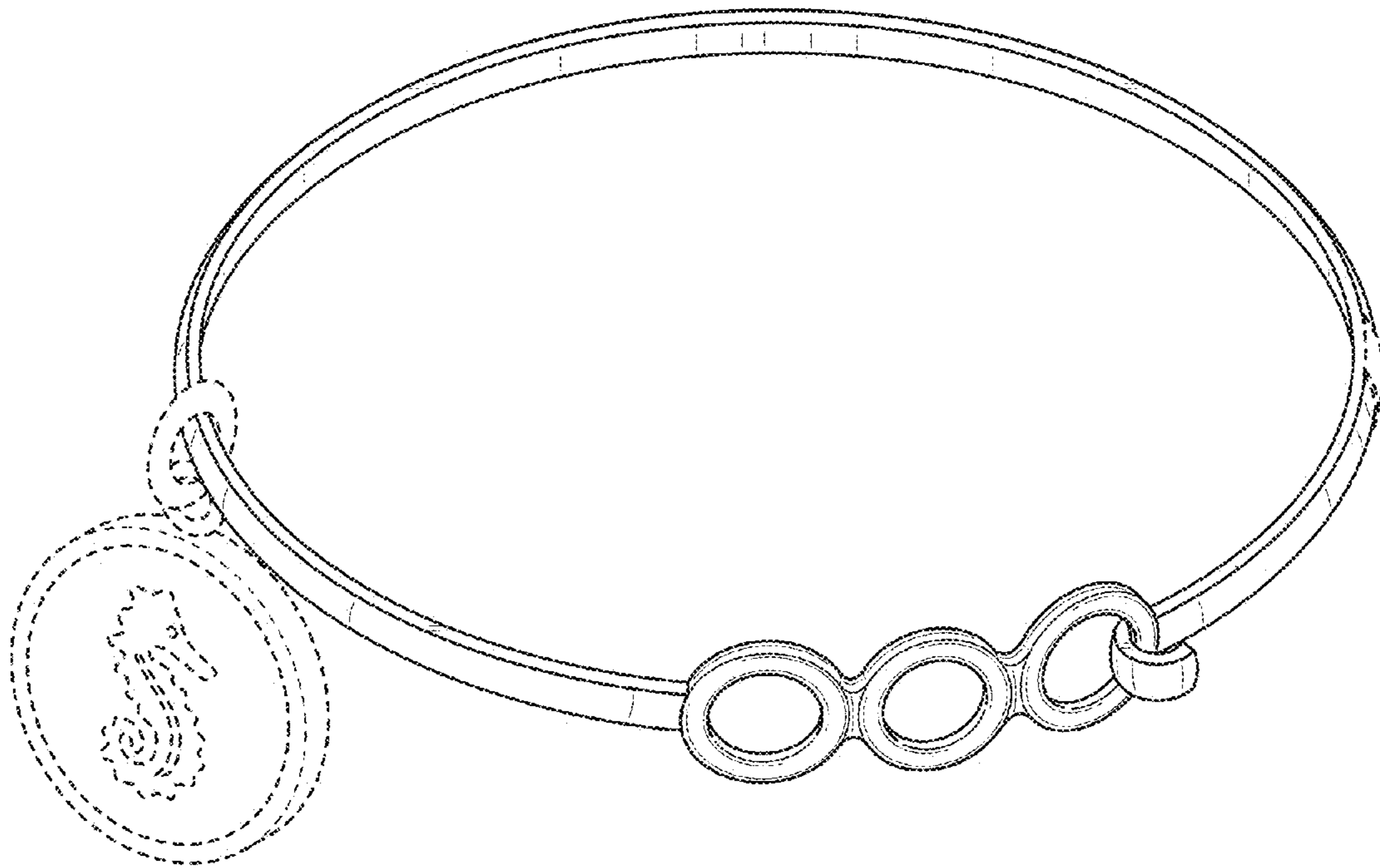


FIG. 1

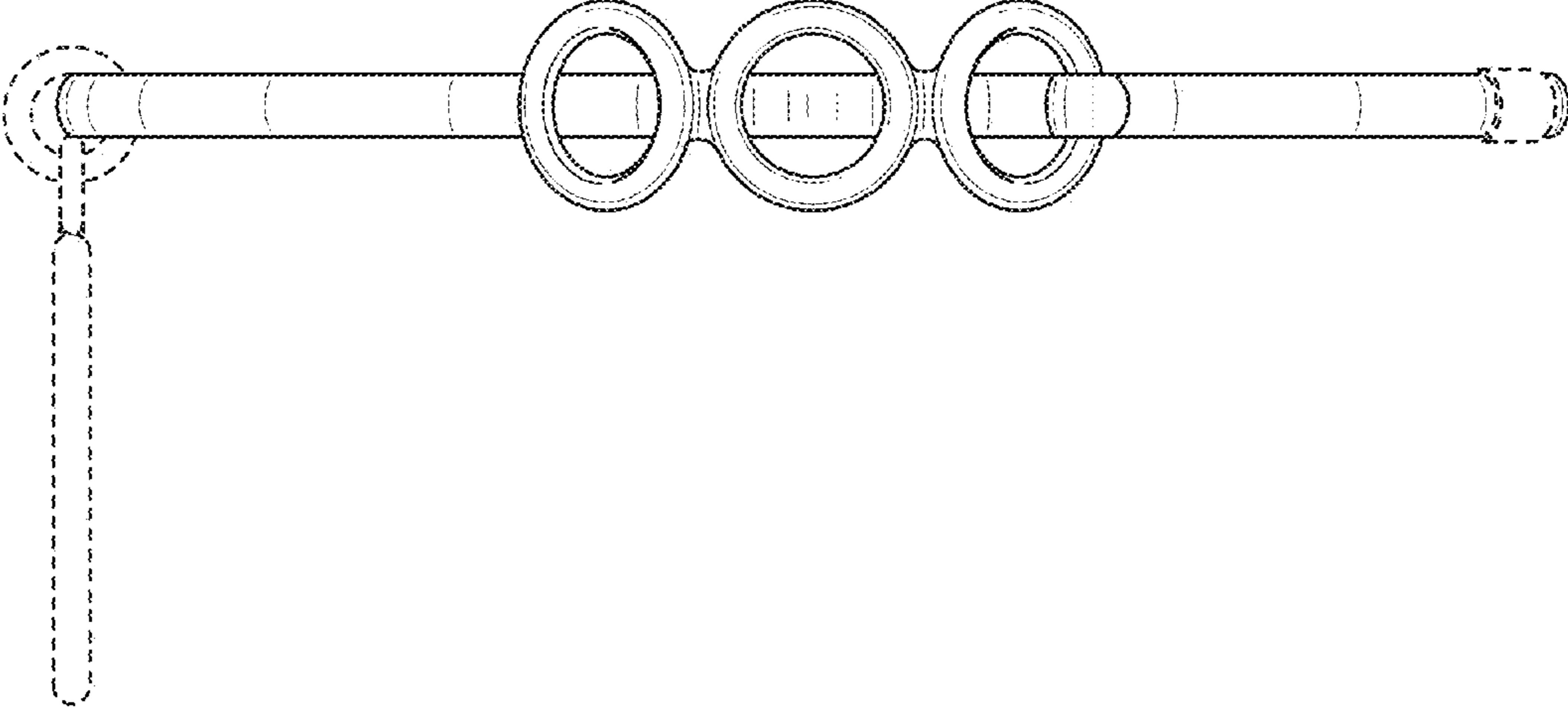


FIG. 2

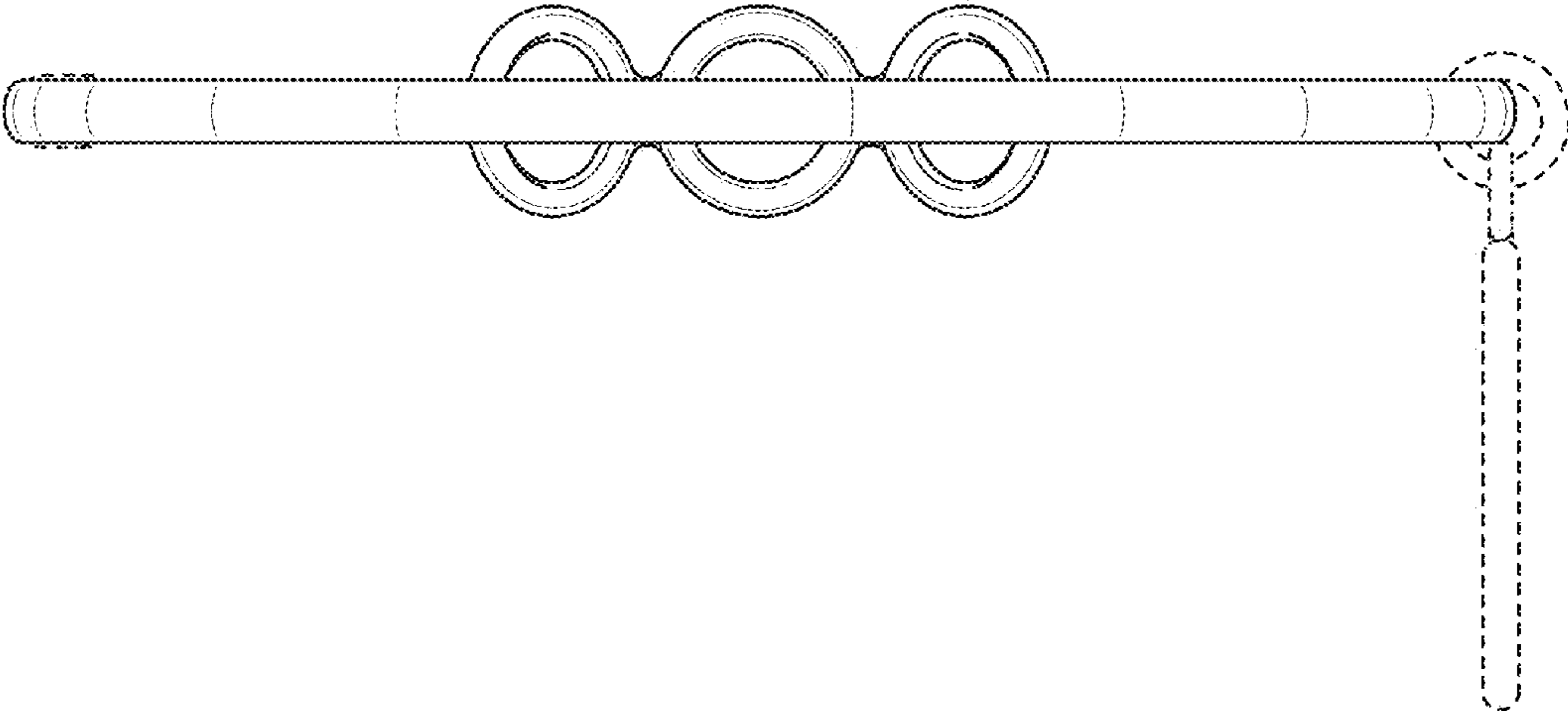


FIG. 3

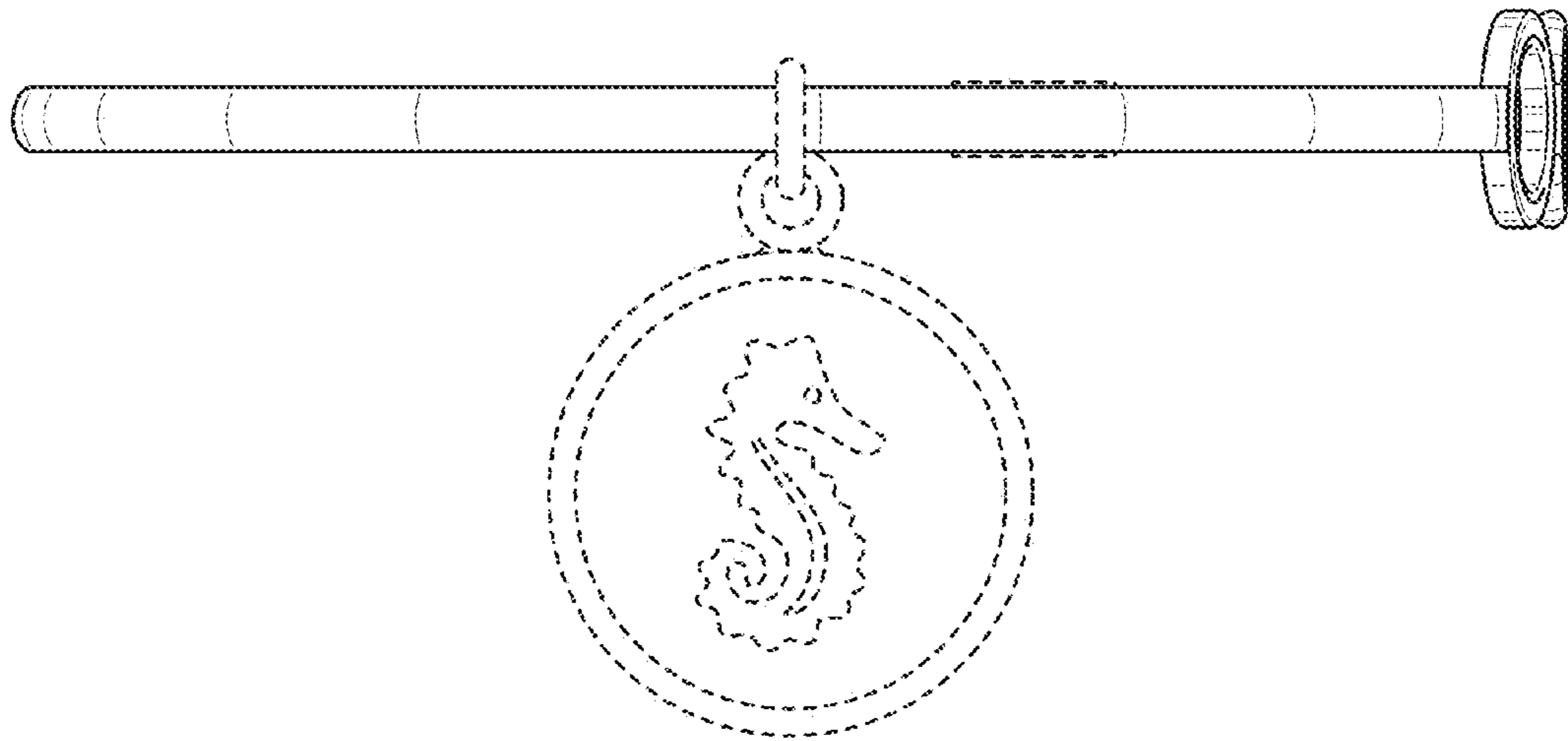


FIG. 4

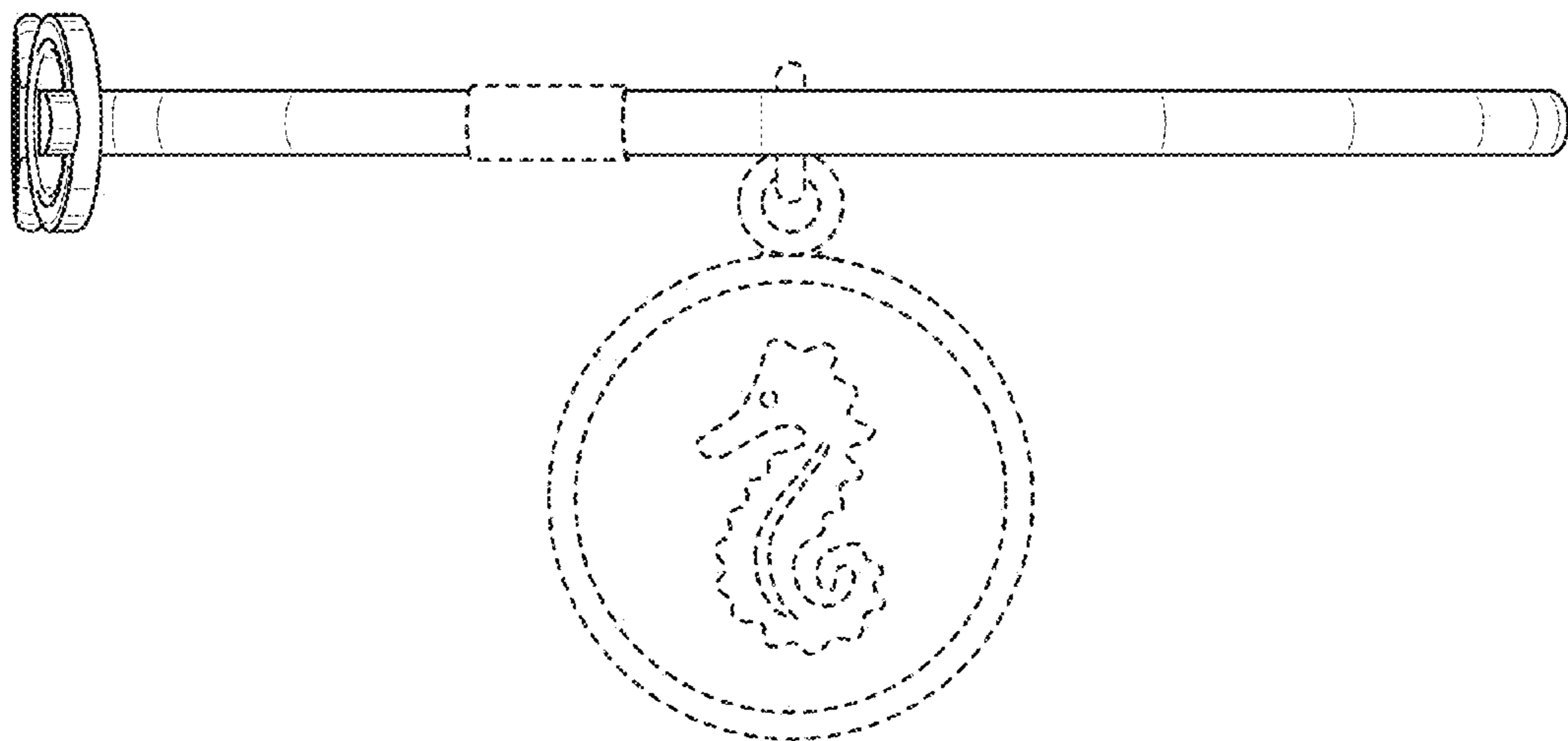


FIG. 5

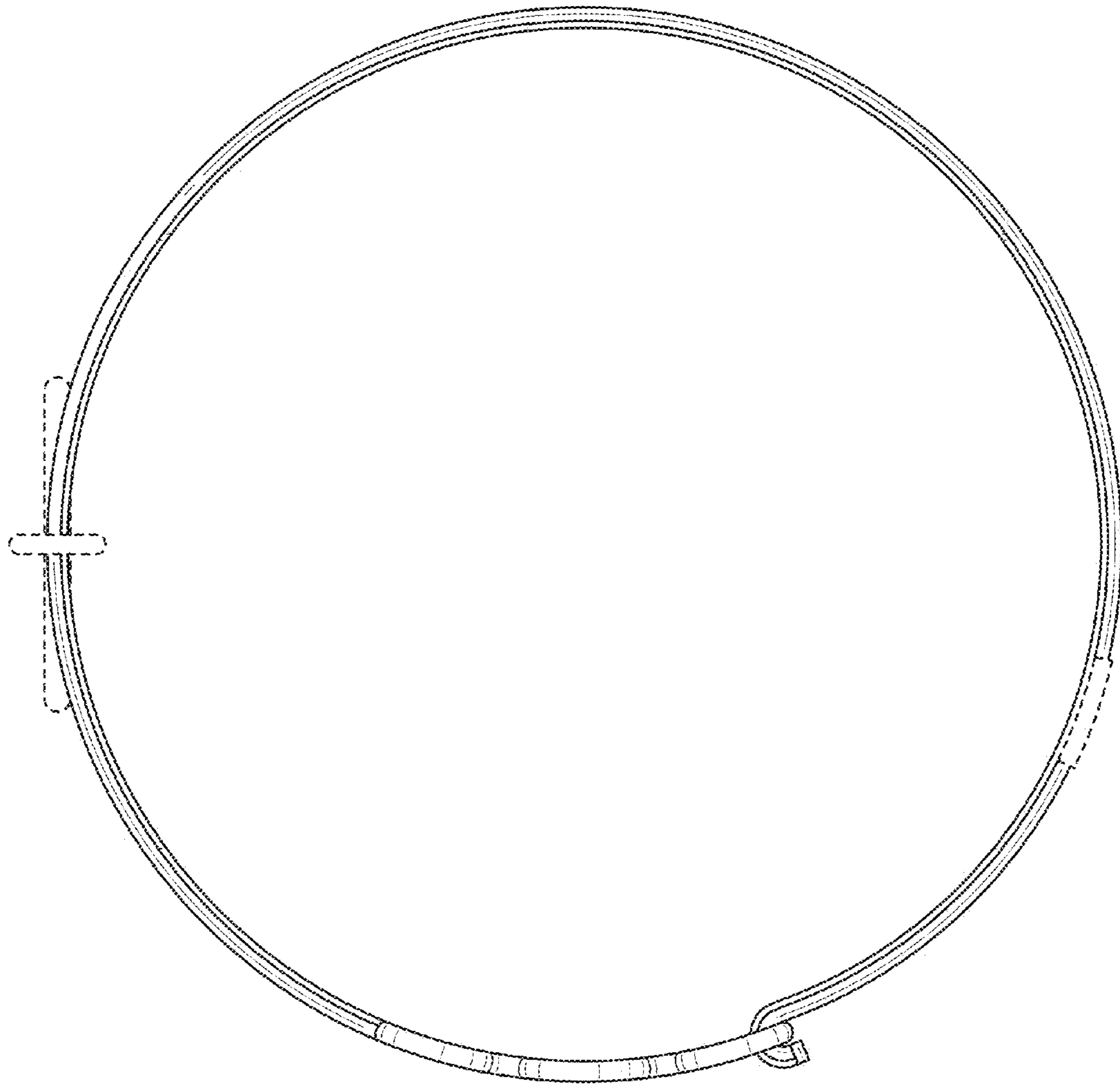


FIG. 6

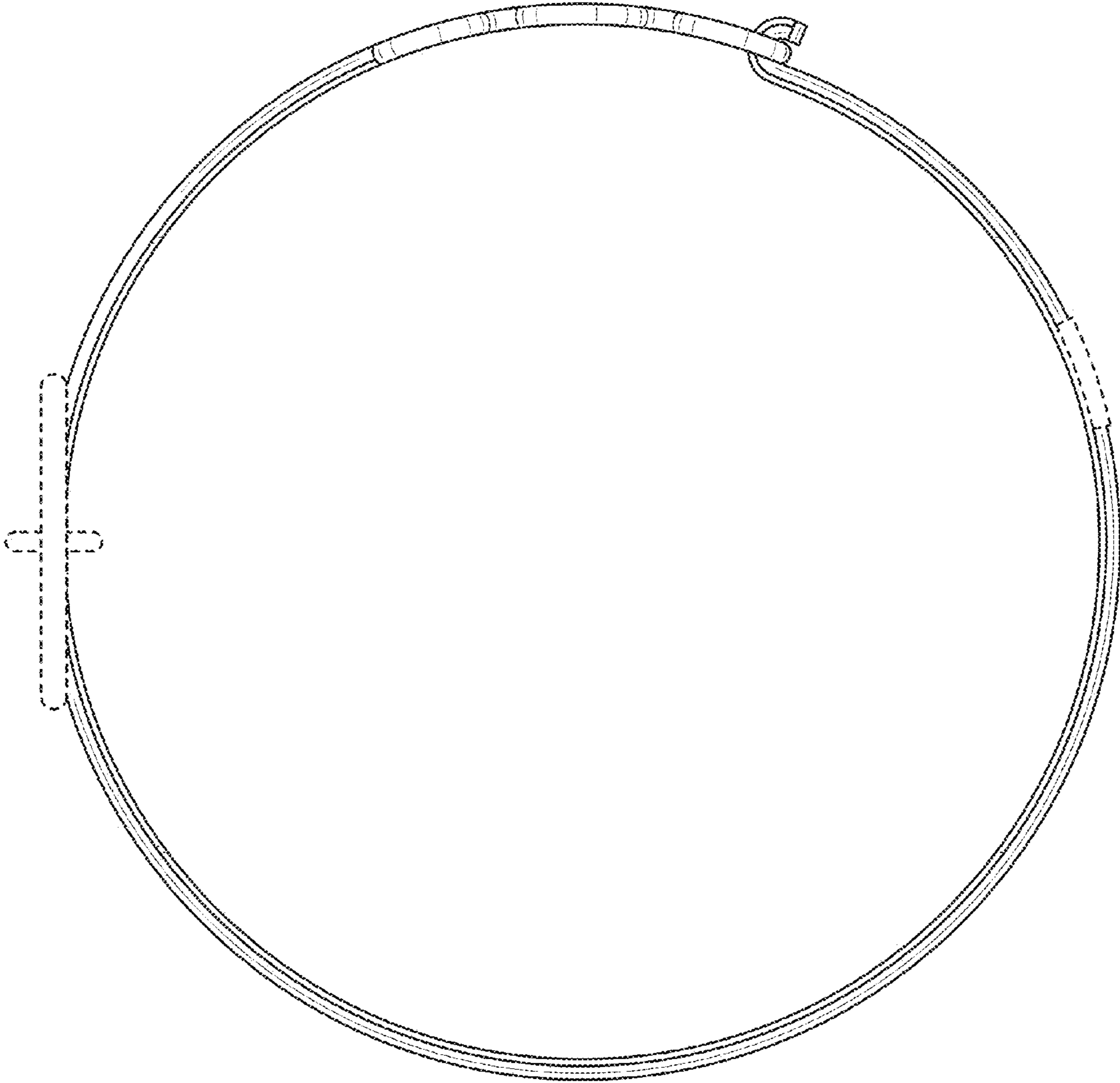


FIG. 7

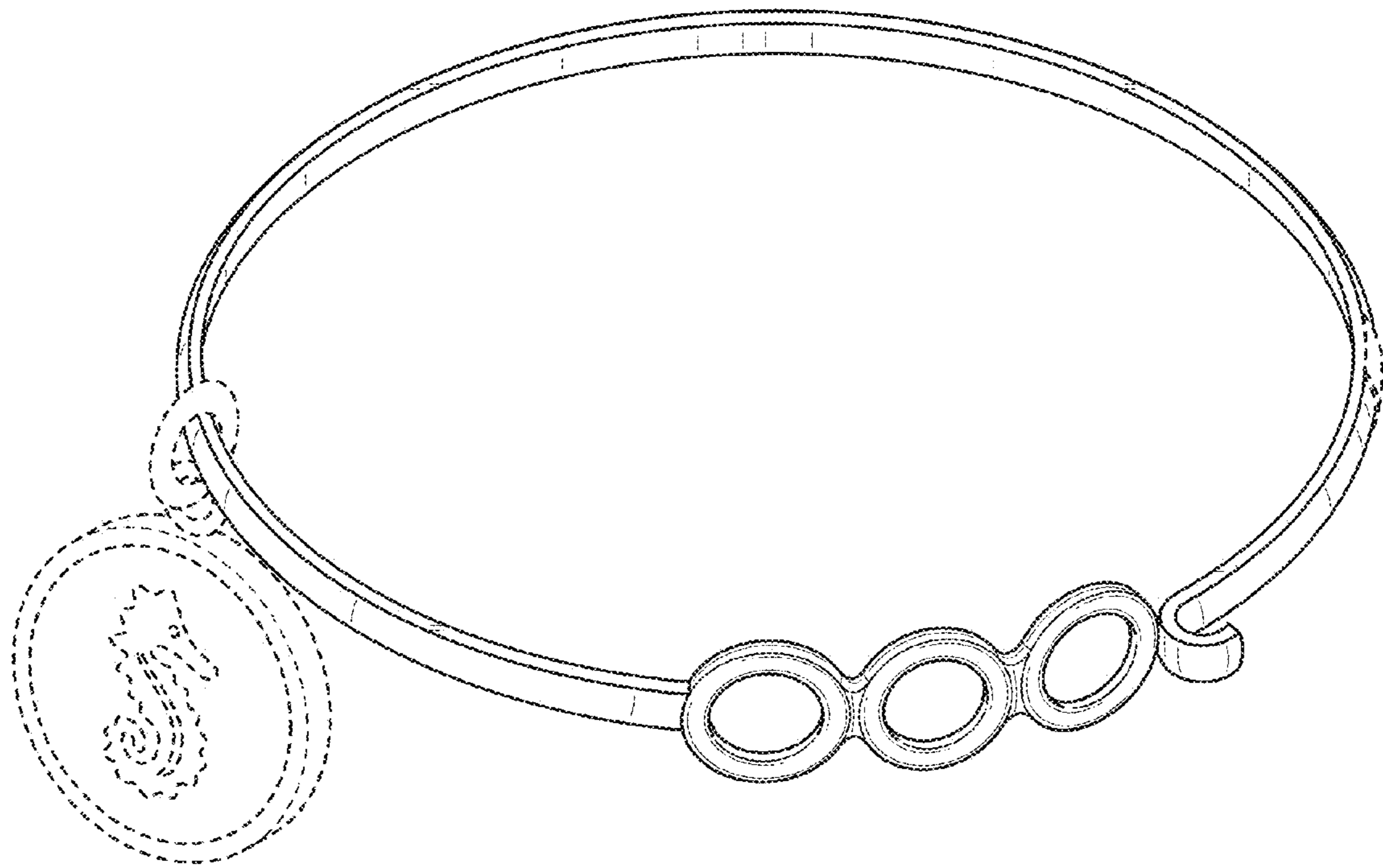


FIG. 8

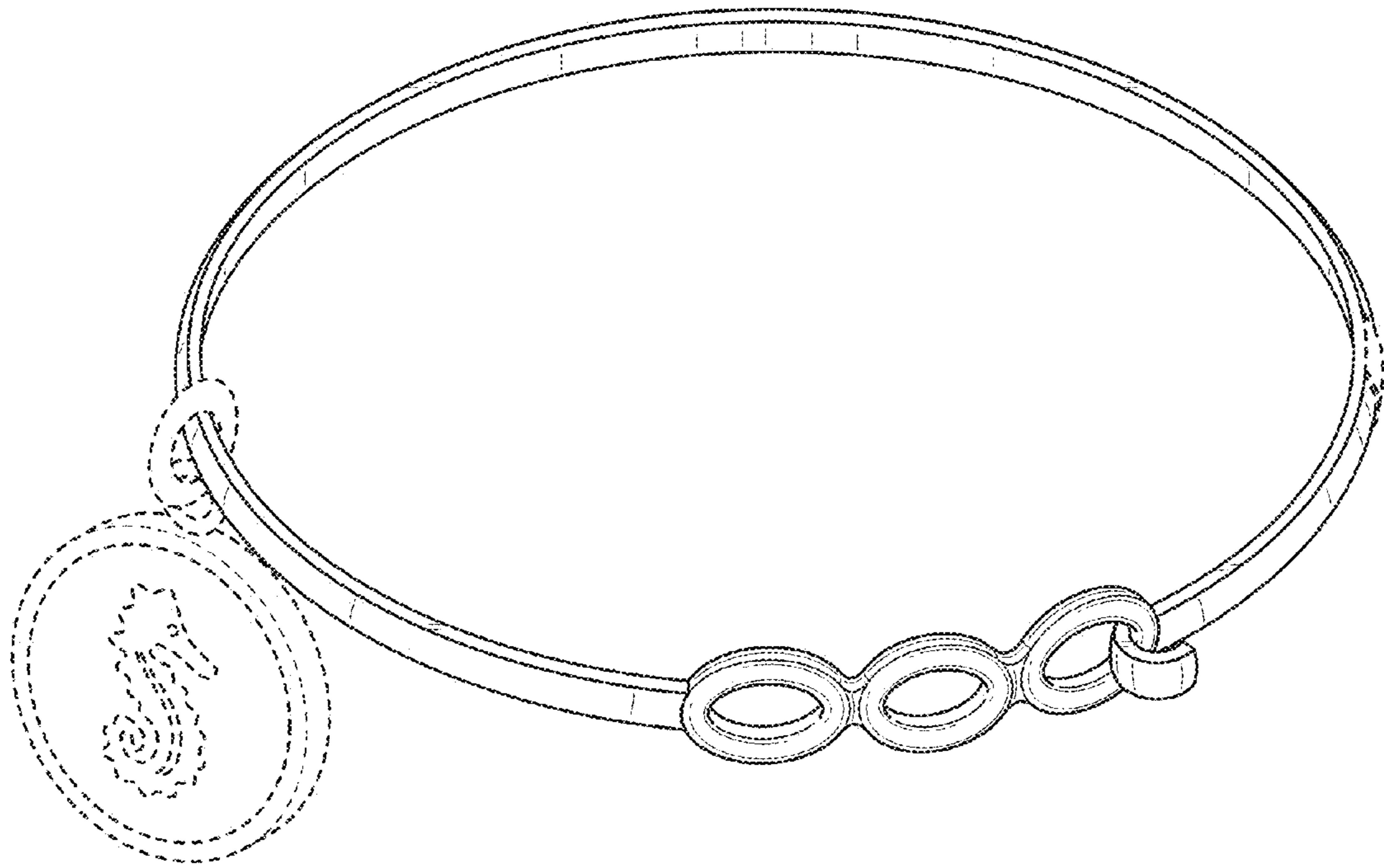


FIG. 9

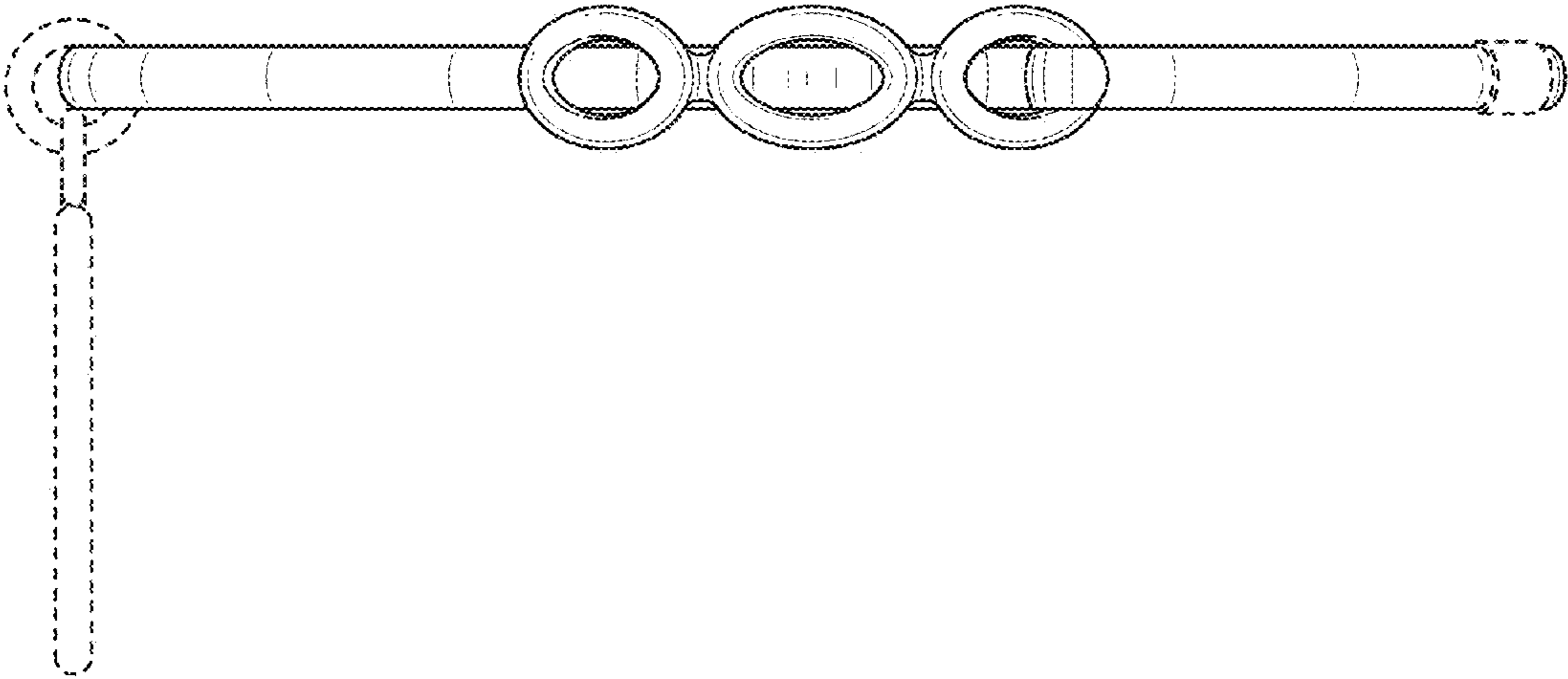


FIG. 10

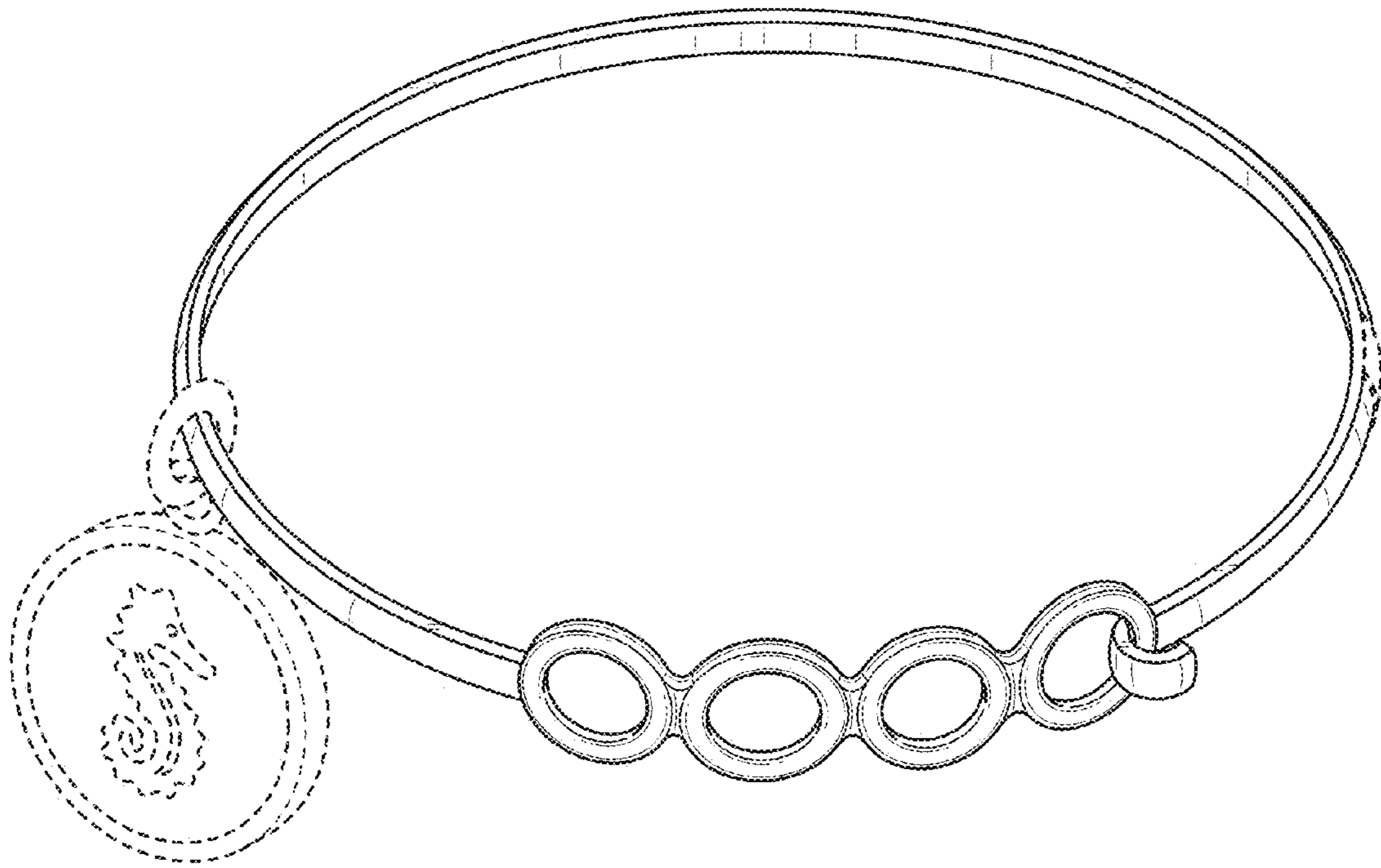


FIG. 11

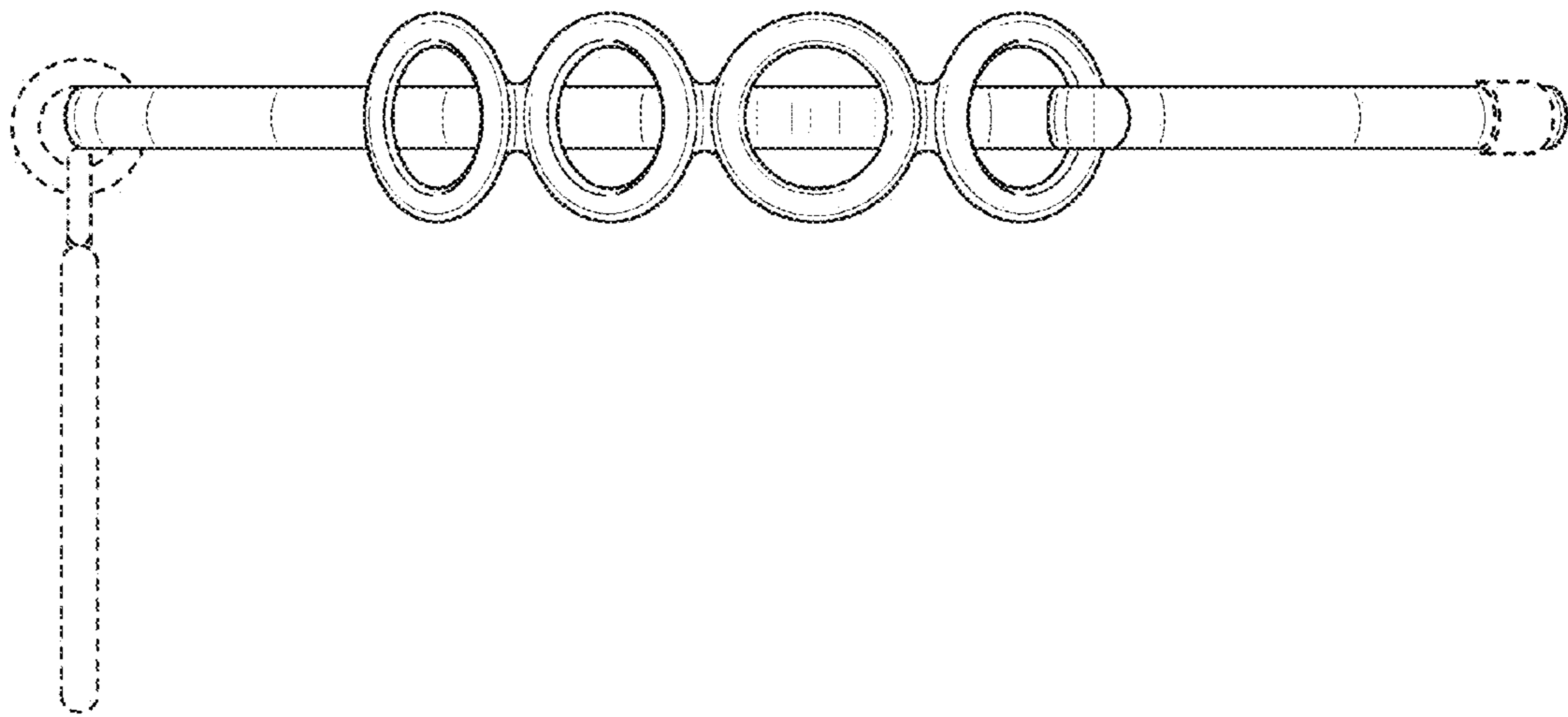


FIG. 12