



US00D759527S

(12) **United States Design Patent**
Fazio et al.

(10) **Patent No.:** **US D759,527 S**
(45) **Date of Patent:** **** Jun. 21, 2016**

- (54) **OSCILLATING WEIGHT**
- (71) Applicant: **SWATCH LTD**, Biel/Bienne (CH)
- (72) Inventors: **Antonio Fazio**, Lausanne (CH);
Christophe Cattin, Delémont (CH);
Xavier Tinguely, Fontaines (CH); **Ivan Villar**, Bienne (CH); **Gaël Feusier**,
Corgémont (CH); **Giuseppe Cappadona**, Bienne (CH); **Laurent Kaelin**, Sonvilier (CH); **Alphonse Arellano**, Lausanne (CH)
- (73) Assignee: **SWATCH LTD**, Biel/Bienne (CH)
- (**) Term: **15 Years**
- (21) Appl. No.: **29/535,692**
- (22) Filed: **Aug. 10, 2015**

Related U.S. Application Data

- (62) Division of application No. 29/469,958, filed on Oct. 16, 2013, now Pat. No. Des. 739,269.
- (51) **LOC (10) Cl.** **10-07**
- (52) **U.S. Cl.**
USPC **D10/128**; D10/129
- (58) **Field of Classification Search**
USPC D10/30-39, 1-29, 122-132
CPC G04B 5/00; G04B 5/10; G04B 5/12;
G04B 5/14; G04B 5/16; G04B 5/161; G04B
5/18; G04B 5/181; G04B 5/19; G04B 17/00;
G04B 17/06; G04B 17/063; G04B 17/222;
G04B 7/1292; G04D 7/00; G04D 7/12
See application file for complete search history.

(56) **References Cited**

U.S. PATENT DOCUMENTS

- 1,859,866 A * 5/1932 Dubois G04B 17/222
368/171
- 3,262,260 A * 7/1966 Perrot-Audet G04B 18/006
368/170

- 3,695,032 A * 10/1972 Lawson G04D 7/1292
368/170
- 3,942,317 A * 3/1976 Schluemp G04B 17/063
106/404
- 4,057,885 A * 11/1977 Giger G04B 5/16
29/509
- 6,021,098 A * 2/2000 Rebeaud G04B 5/181
368/204
- 6,354,731 B1 * 3/2002 Halter G04B 45/02
368/148
- D635,045 S * 3/2011 Rodriguez D10/128
- 7,896,542 B2 * 3/2011 Born G04B 5/12
368/148
- D650,717 S * 12/2011 Greubel D10/128
- D700,535 S * 3/2014 Graf D10/128
- 2008/0074952 A1 * 3/2008 Racine G04B 19/247
368/38
- 2010/0054090 A1 * 3/2010 Orny G04B 17/063
368/175
- 2010/0135127 A1 * 6/2010 Born G04B 5/12
368/127
- 2012/0195173 A1 * 8/2012 Poffet G04B 5/165
368/208

* cited by examiner

Primary Examiner — Martie K Holtje

(74) *Attorney, Agent, or Firm* — Donald J. Ranft; Kristen A. Mogavero; Collen IP

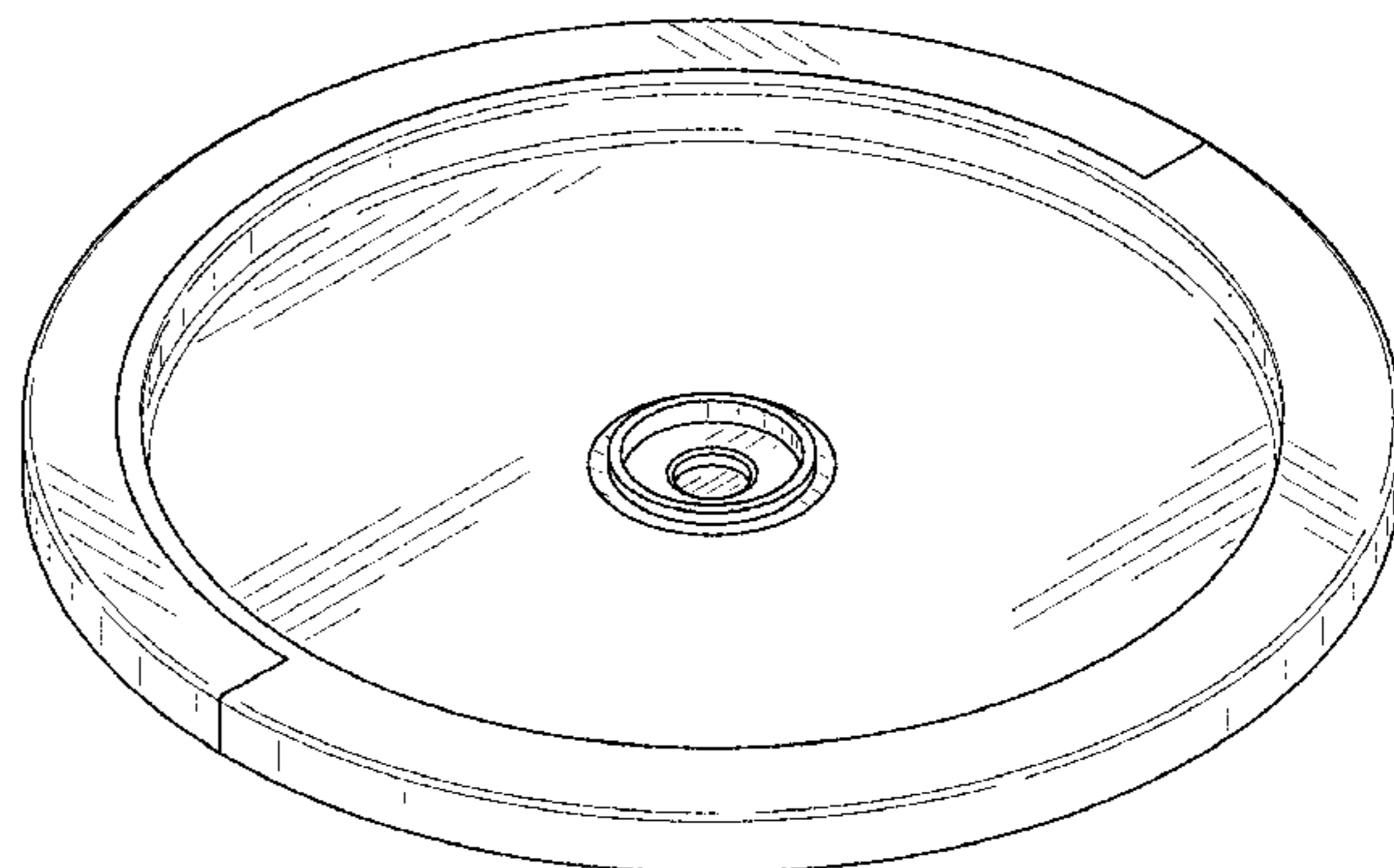
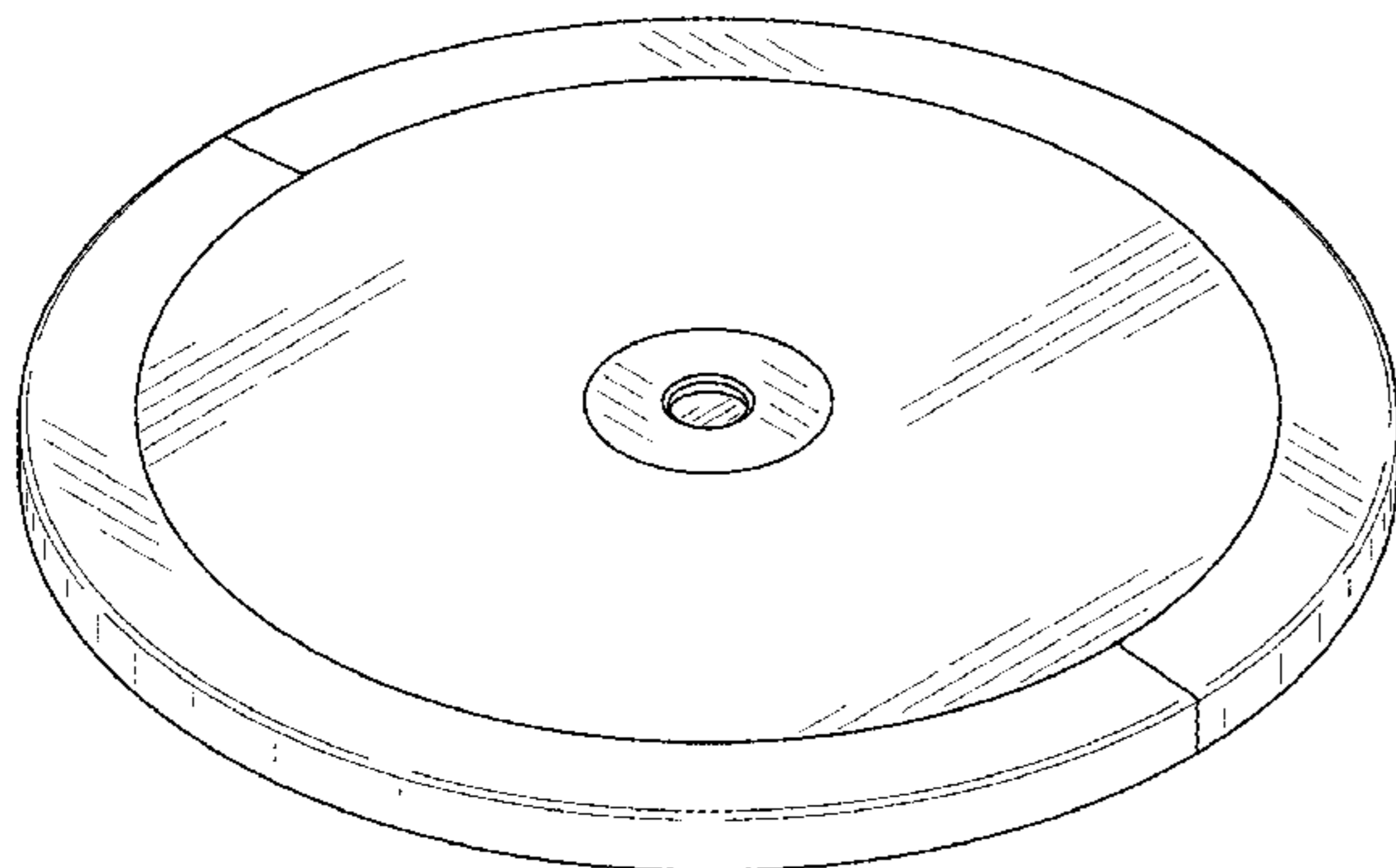
(57) **CLAIM**

The ornamental design for an oscillating weight, as shown.

DESCRIPTION

FIG. 1 is a front perspective view of an oscillating weight showing our new design;
 FIG. 2 is a rear perspective view thereof;
 FIG. 3 is a front view thereof;
 FIG. 4 is a rear view thereof;
 FIG. 5 is a left side view thereof;
 FIG. 6 is a right side view thereof;
 FIG. 7 is a top view thereof; and,
 FIG. 8 is a bottom view thereof.

1 Claim, 4 Drawing Sheets



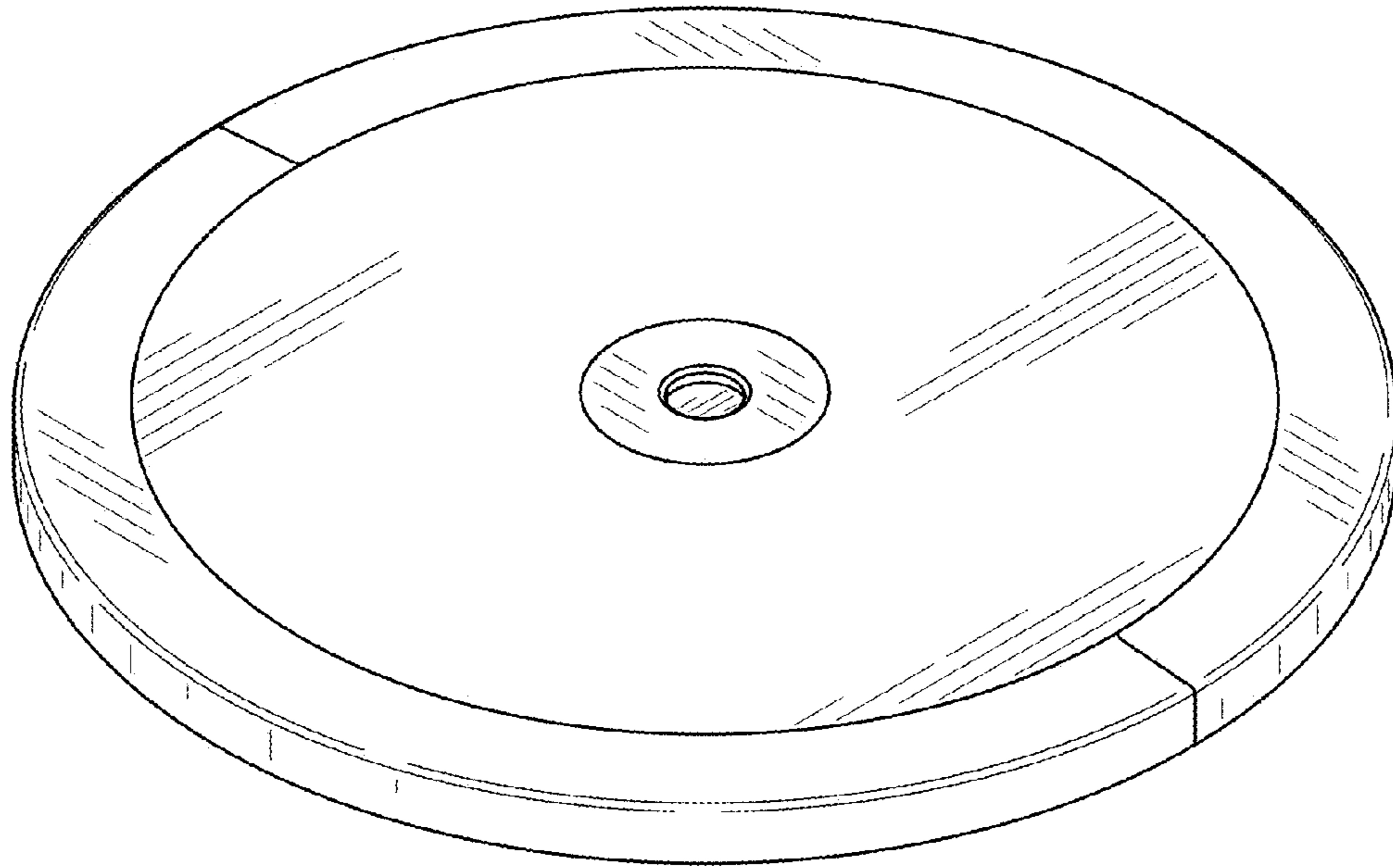


FIG. 1

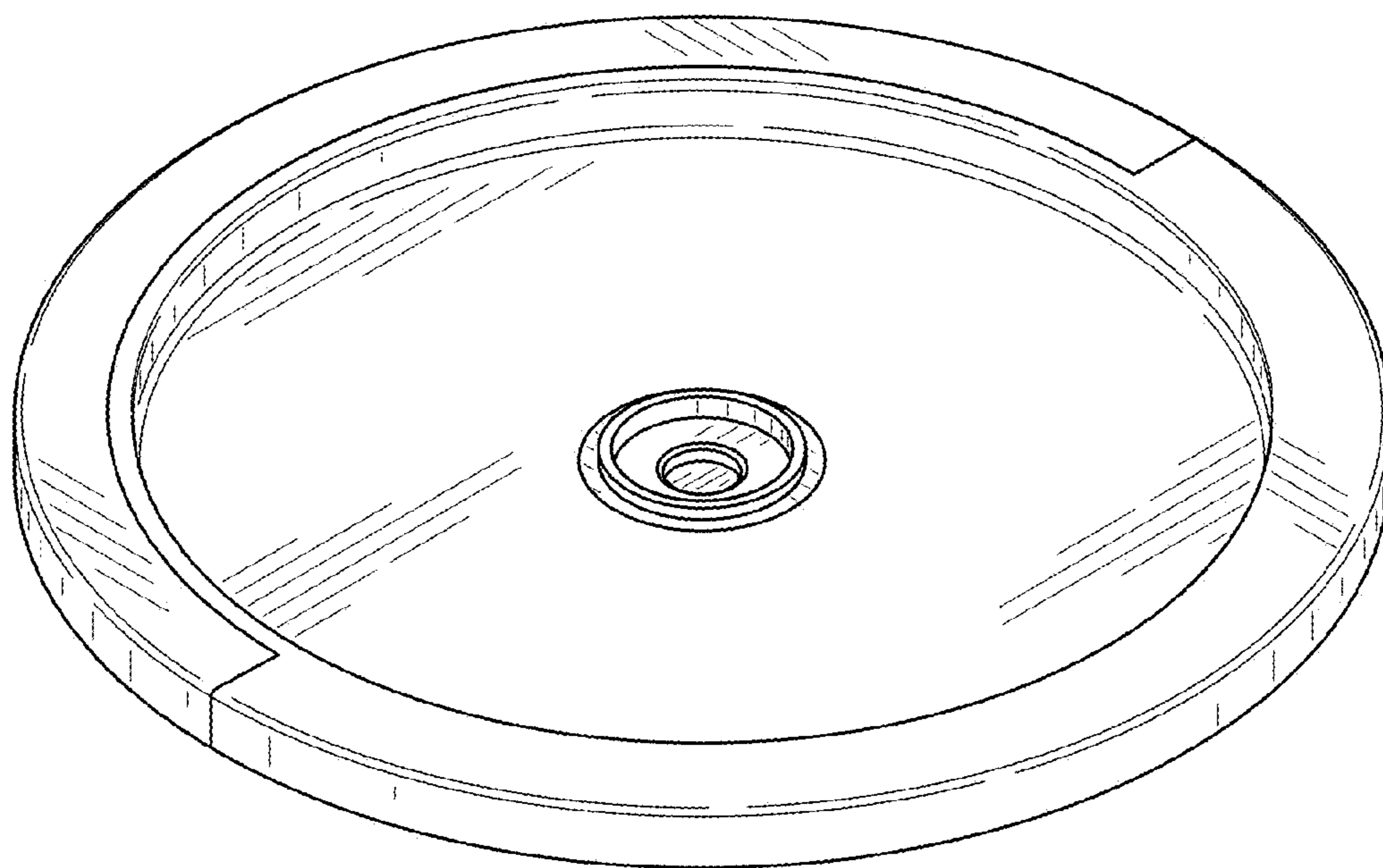


FIG. 2

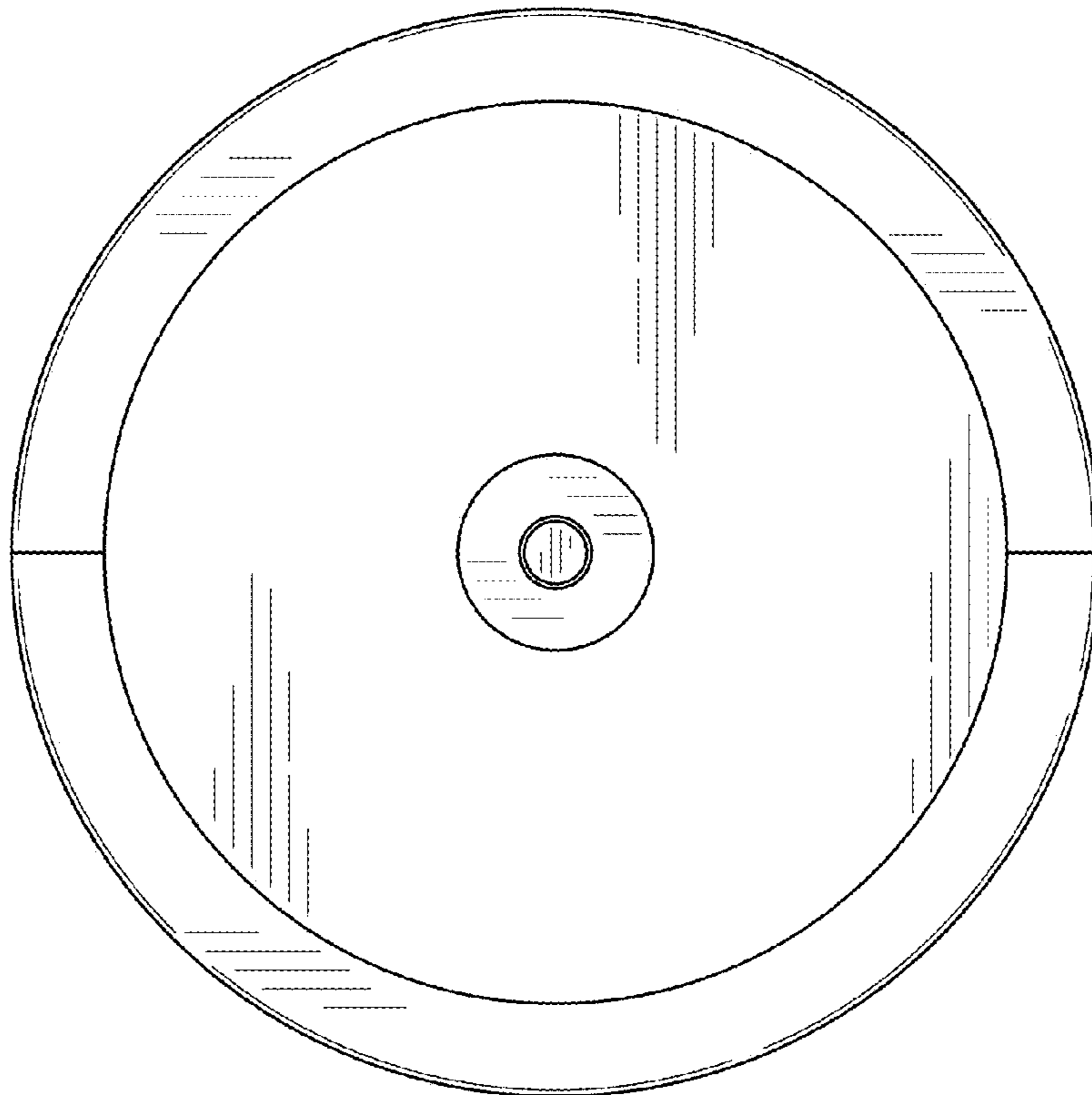


FIG. 3

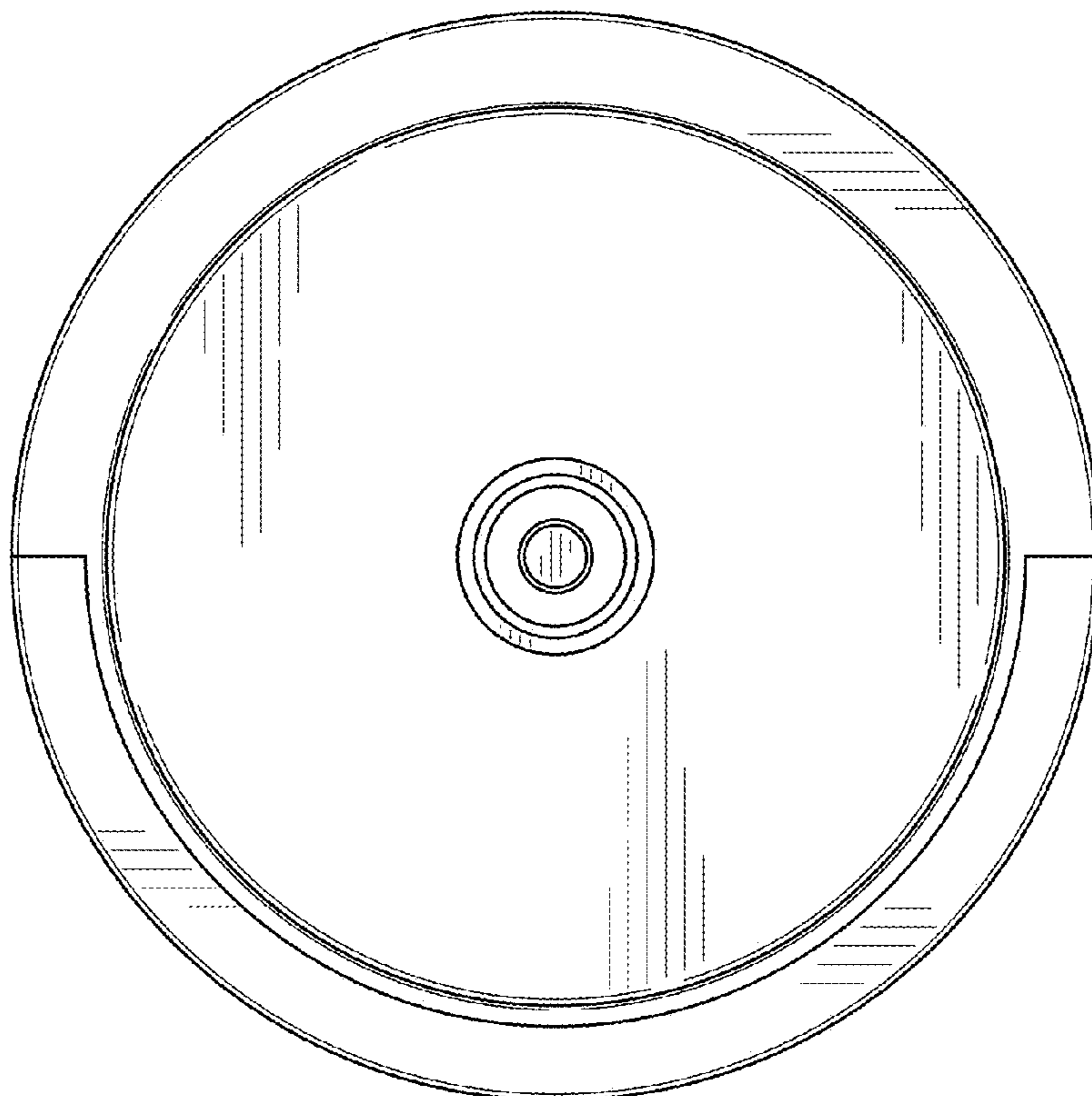


FIG. 4

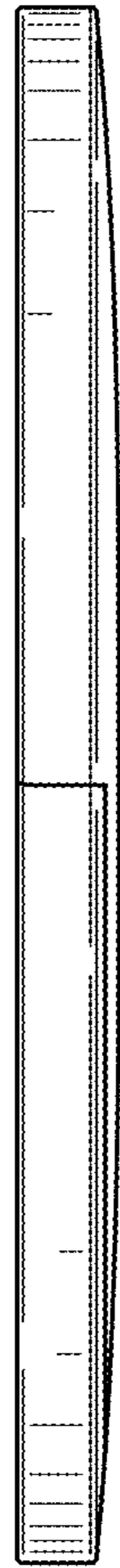


FIG. 5

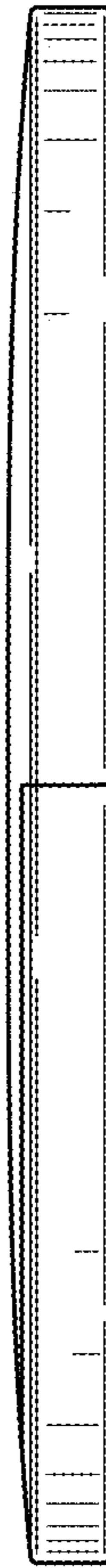


FIG. 6



FIG. 7



FIG. 8