



US00D759522S

(12) **United States Design Patent**
Ueda

(10) **Patent No.:** **US D759,522 S**
(45) **Date of Patent:** **** Jun. 21, 2016**

(54) **SPEEDOMETER FOR A BICYCLE**

(71) Applicant: **Cateye Co., Ltd.**, Osaka (JP)

(72) Inventor: **Takashi Ueda**, Osaka (JP)

(73) Assignee: **Cateye Co., Ltd.**, Osaka (JP)

(**) Term: **14 Years**

(21) Appl. No.: **29/523,906**

(22) Filed: **Apr. 15, 2015**

(30) **Foreign Application Priority Data**

Oct. 15, 2014 (JP) 2014-023082

(51) **LOC (10) Cl.** **10-04**

(52) **U.S. Cl.**
USPC **D10/98**

(58) **Field of Classification Search**
USPC D10/97, 98
CPC G01P 3/478; G01P 3/488; G01P 3/4953;
G01P 21/02; G01C 22/00; G01C 22/002
See application file for complete search history.

(56) **References Cited**

U.S. PATENT DOCUMENTS

D522,394 S 6/2006 Okuda et al.
D553,528 S * 10/2007 Ueda D10/98

D645,371 S * 9/2011 Ueda D10/98
D680,890 S * 4/2013 Ueda D10/98
D704,583 S 5/2014 Ueda et al.
D727,768 S * 4/2015 Nagano D10/98

FOREIGN PATENT DOCUMENTS

JP 1391638 7/2010
TW D162036 8/2014
TW D164718 12/2014

* cited by examiner

Primary Examiner — Antoine D Davis

(74) *Attorney, Agent, or Firm* — Arnstein & Lehr, LLP

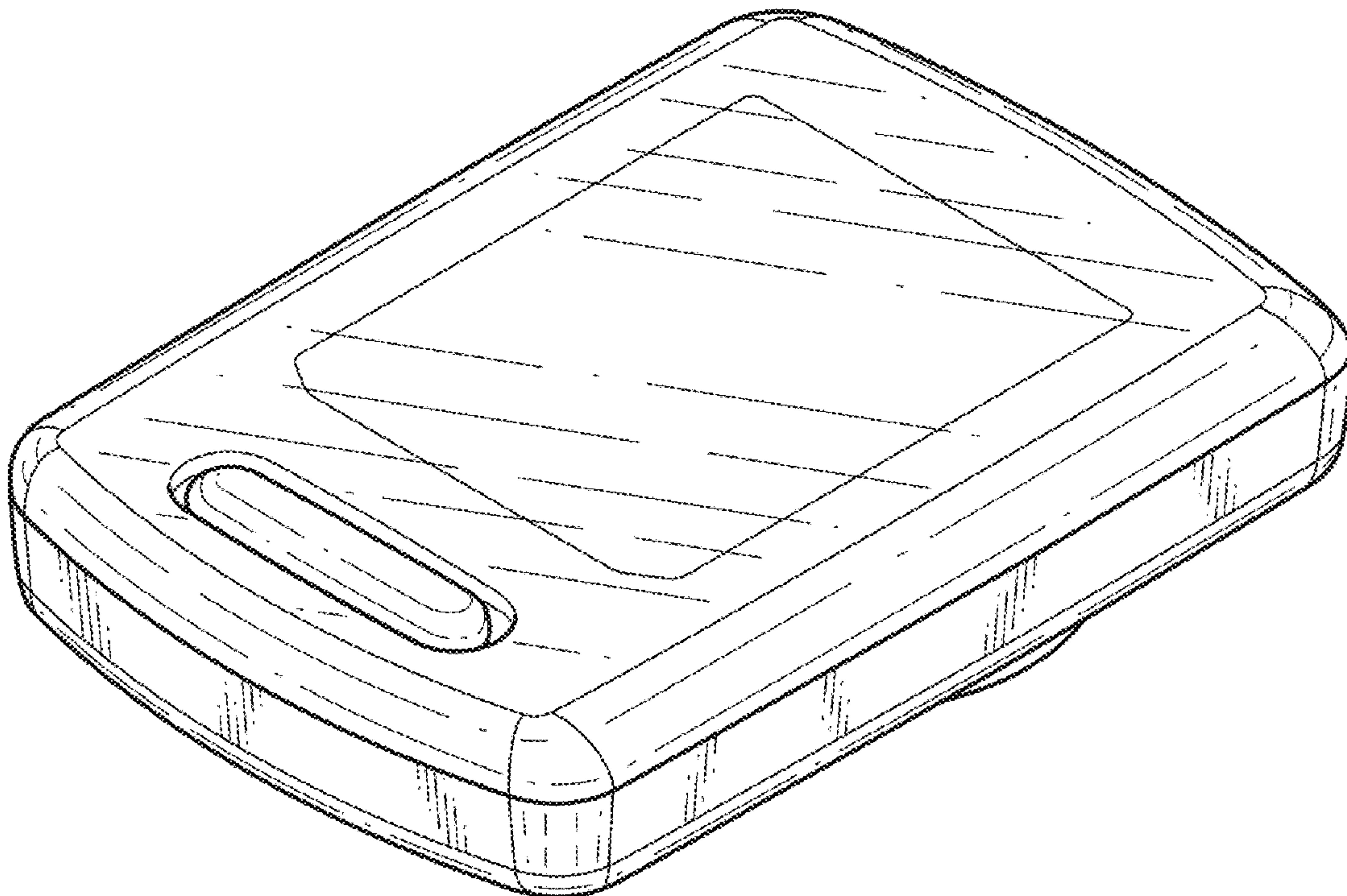
(57) **CLAIM**

The ornamental design for a speedometer for a bicycle, as shown.

DESCRIPTION

FIG. 1 is a perspective view of a speedometer for a bicycle showing my new design;
FIG. 2 is a front view thereof;
FIG. 3 is a rear view thereof;
FIG. 4 is a top plan view thereof;
FIG. 5 is a bottom plan view thereof;
FIG. 6 is a right side view thereof; and,
FIG. 7 is a left side view thereof.

1 Claim, 5 Drawing Sheets



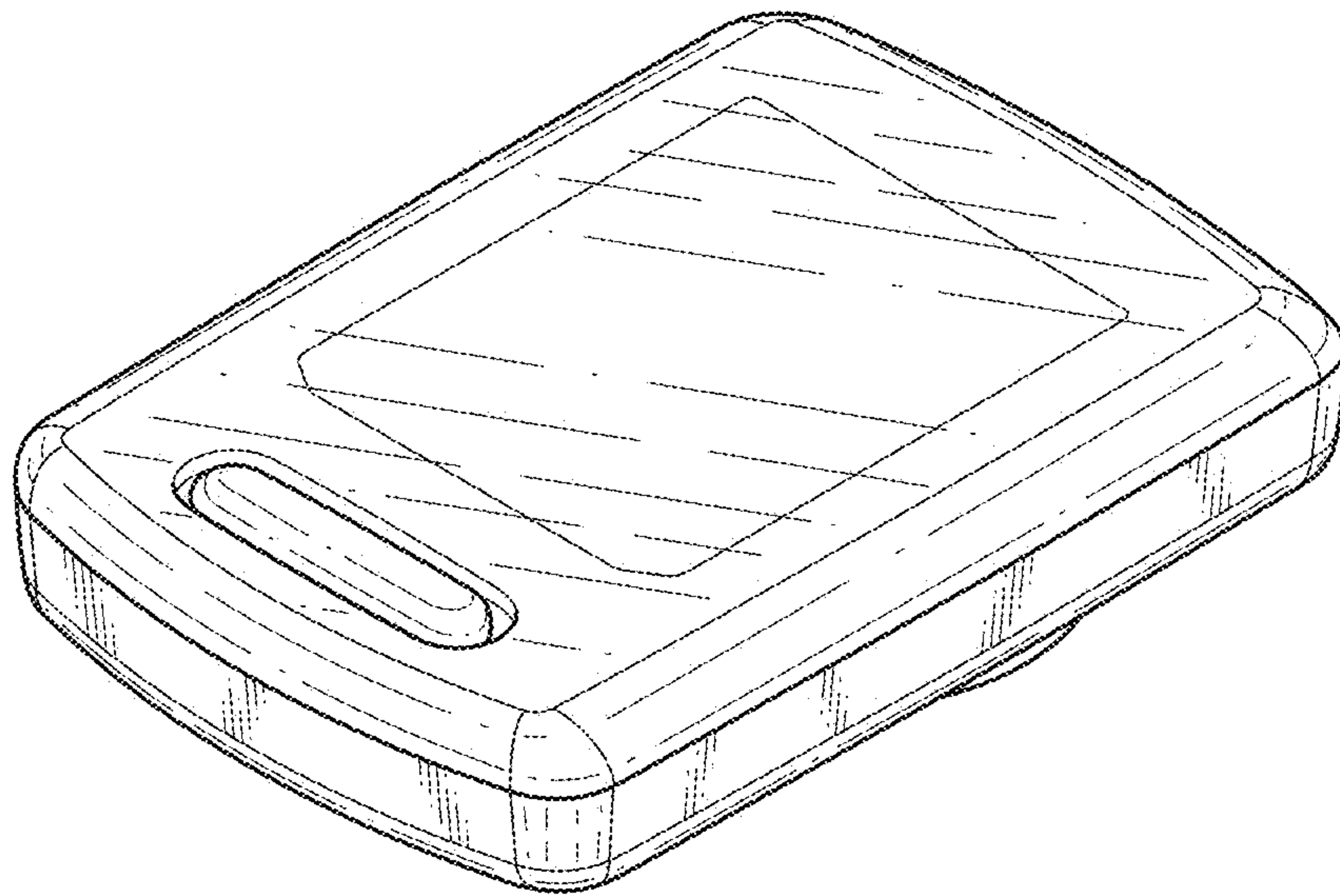


Fig. 1

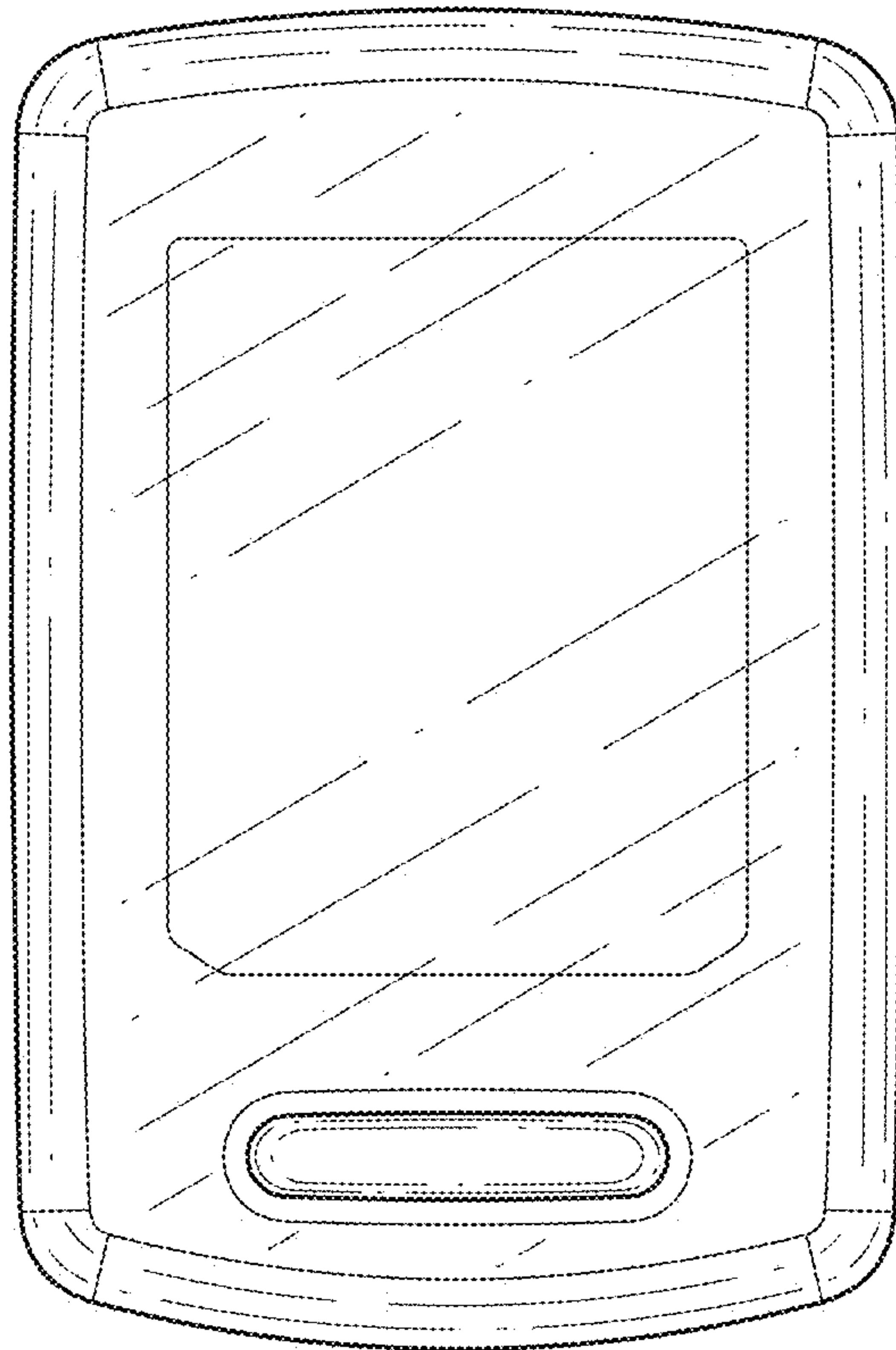


Fig. 2

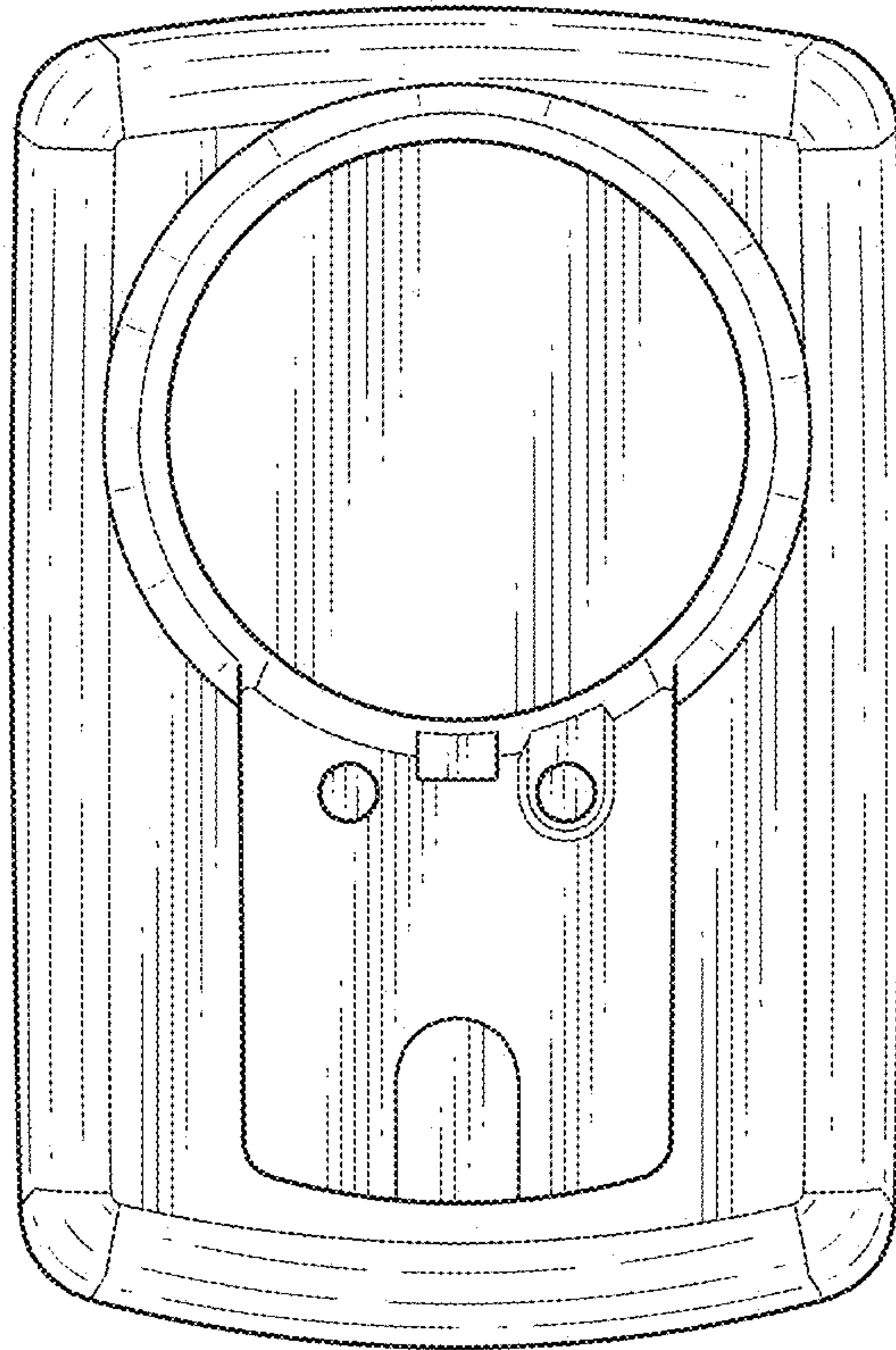


Fig. 3

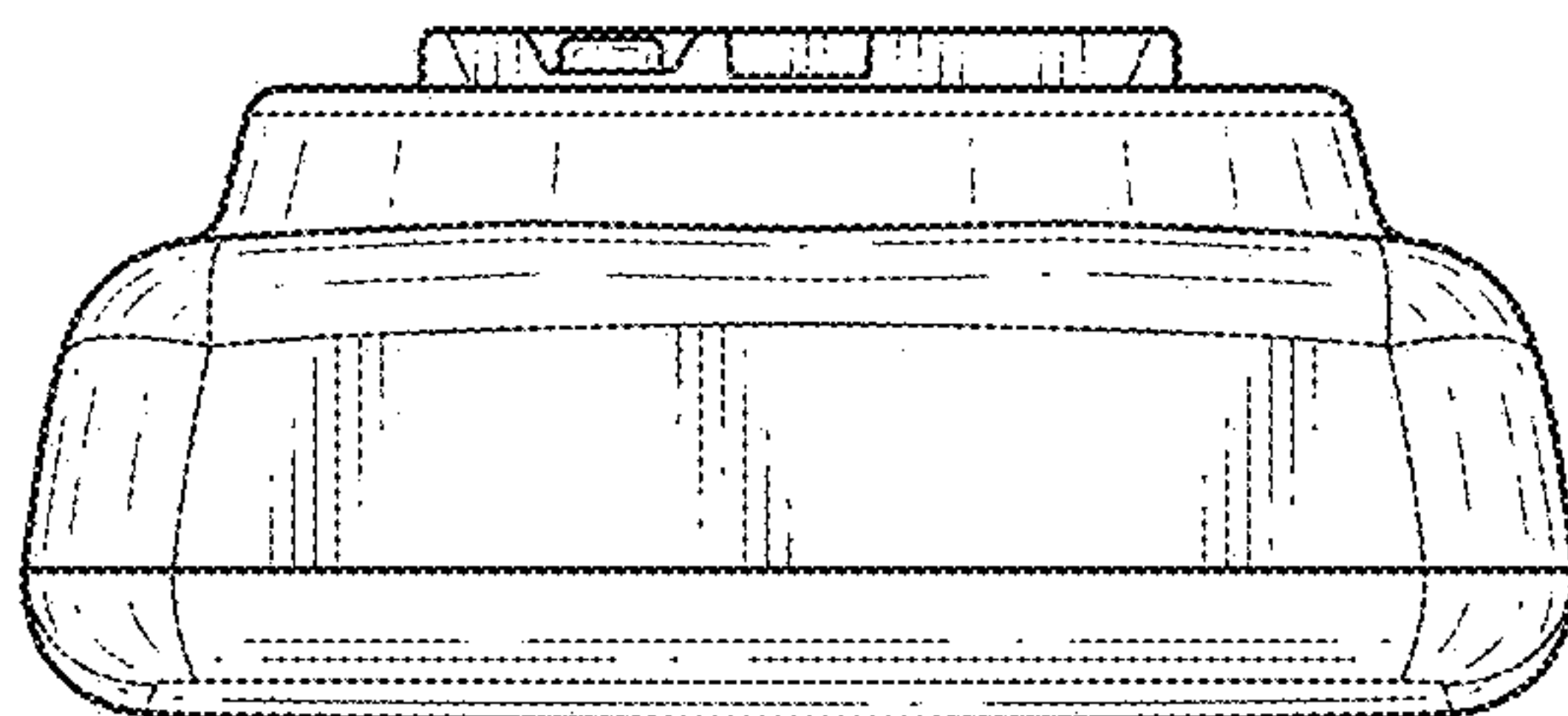


Fig. 4

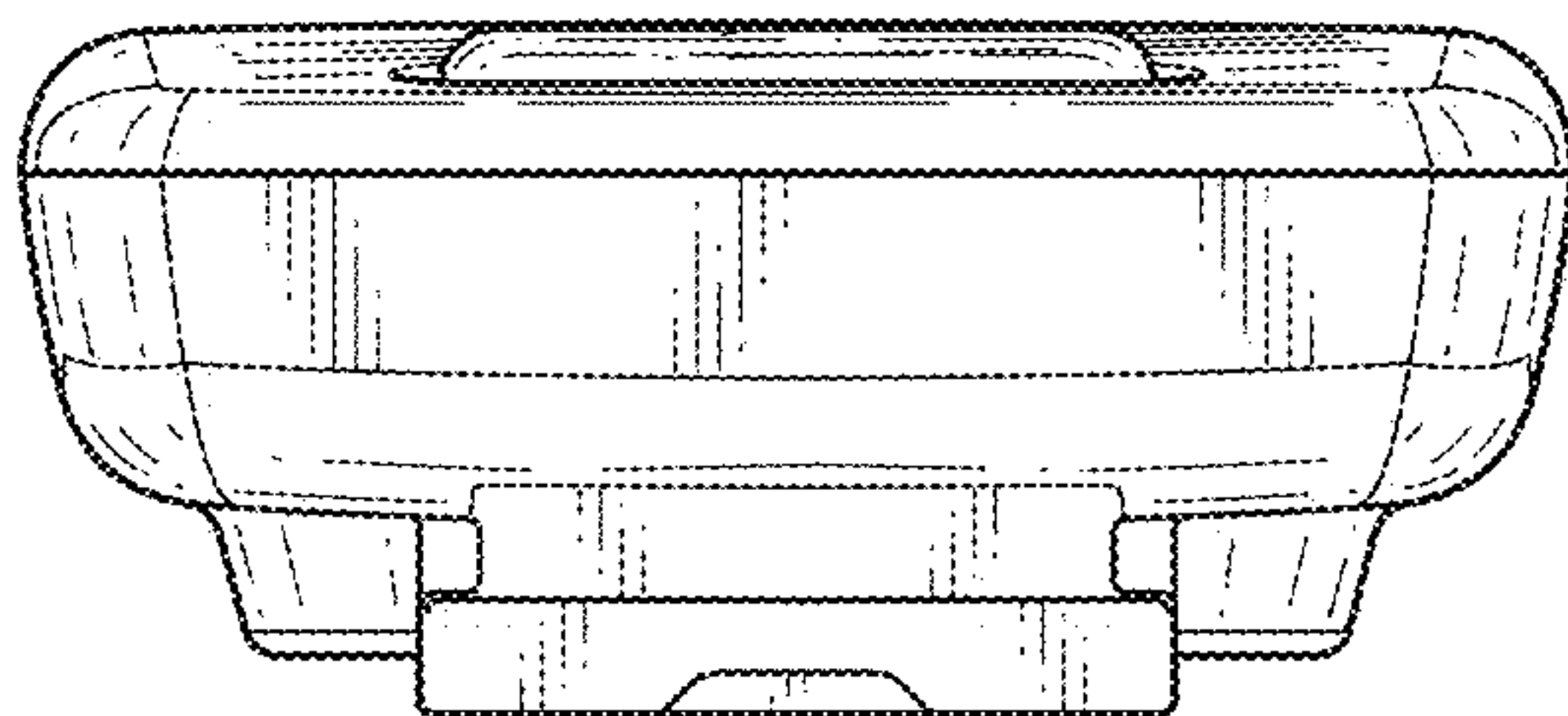


Fig. 5

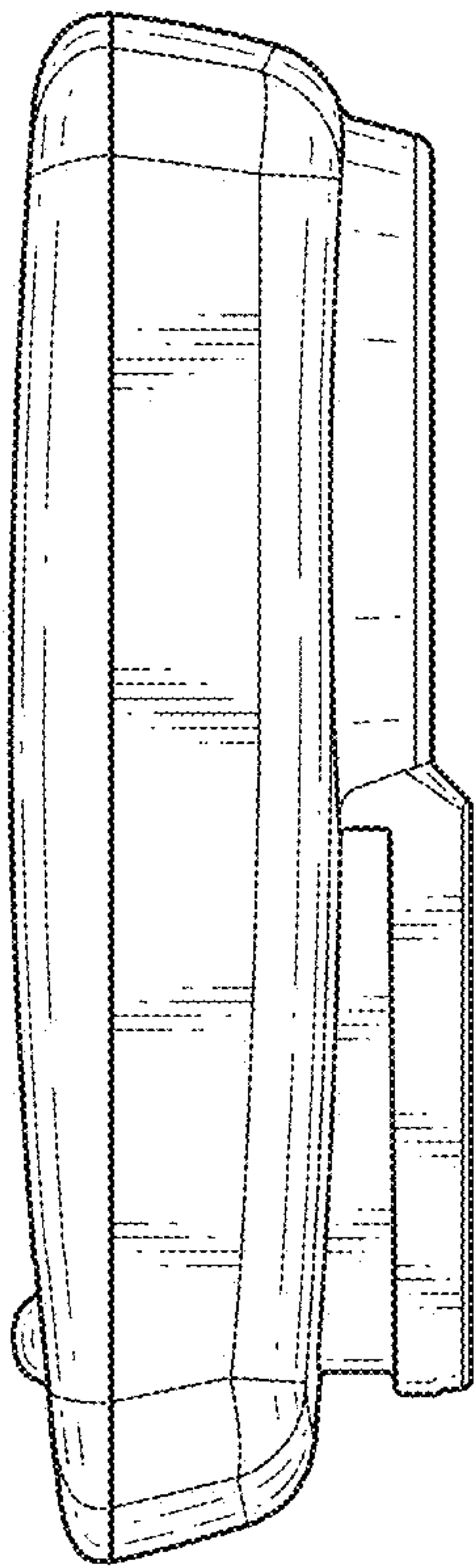


Fig. 6

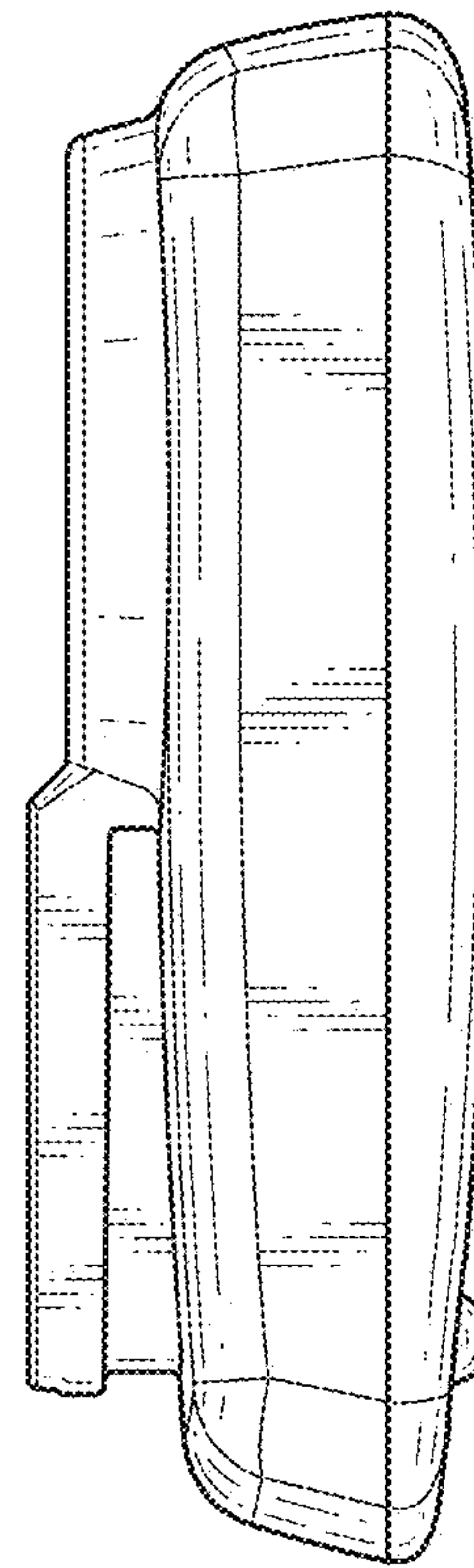


Fig. 7