

US00D759521S

(12) **United States Design Patent**  
**Rekow**

(10) **Patent No.:** **US D759,521 S**  
(45) **Date of Patent:** **\*\* Jun. 21, 2016**

(54) **ALCOHOLOMETER**

(56) **References Cited**

(71) Applicant: **Dräger Safety AG & Co. KGaA**,  
Lübeck (DE)

(72) Inventor: **Jens Rekow**, Lübeck (DE)

(73) Assignee: **Draeger Safety AG & Co. KGaA**,  
Luebeck (DE)

(\*\*) Term: **14 Years**

(21) Appl. No.: **29/521,349**

(22) Filed: **Mar. 23, 2015**

(30) **Foreign Application Priority Data**

Sep. 30, 2014 (EM) ..... 002548339-0001

(51) **LOC (10) Cl.** ..... **10-04**

(52) **U.S. Cl.**  
USPC ..... **D10/81; D10/78**

(58) **Field of Classification Search**  
USPC ..... D10/78, 81  
CPC ..... A61B 5/083; A61B 5/087; A61B 5/0833;  
A61B 5/091; A61B 5/222; A61B 5/0002;  
A61B 5/02438; A61B 5/08; G01N 33/497;  
G01N 33/4972; G01N 33/483; G01N 33/98;  
G10L 17/00; Y10S 436/90

See application file for complete search history.

U.S. PATENT DOCUMENTS

D343,801 S *	2/1994	Burns	.....	D10/78
D521,885 S *	5/2006	Eddy	.....	D10/78
D539,683 S *	4/2007	Shaw	.....	D10/81
D539,684 S *	4/2007	Kitamura	.....	D10/81
D627,669 S *	11/2010	Zheng	.....	D10/78
D628,104 S *	11/2010	Zheng	.....	D10/78
D724,980 S *	3/2015	Nothacker	.....	D10/81

\* cited by examiner

*Primary Examiner* — Antoine D Davis

(74) *Attorney, Agent, or Firm* — Taft Stettinius & Hollister  
LLP; Stephen F. Rost

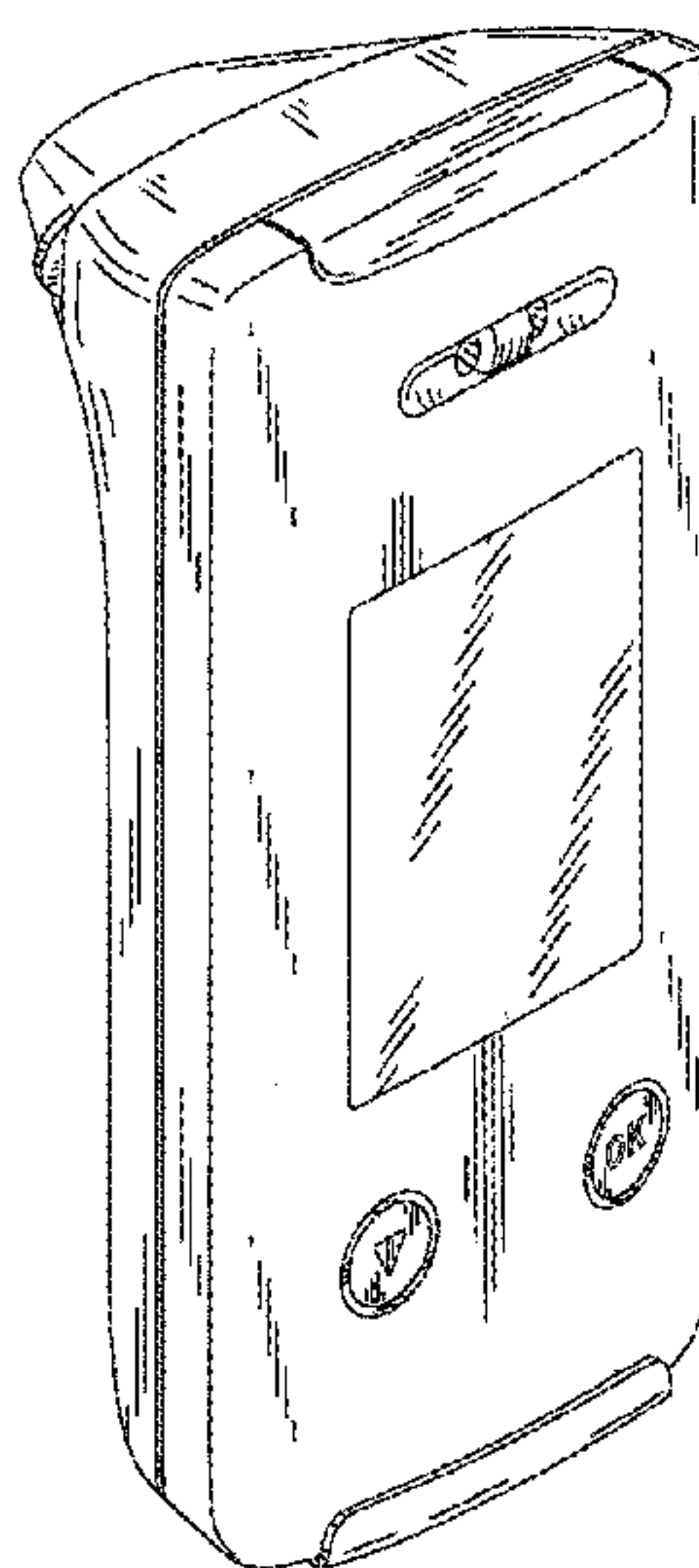
(57) **CLAIM**

The ornamental design for an alcoholometer, as shown and described.

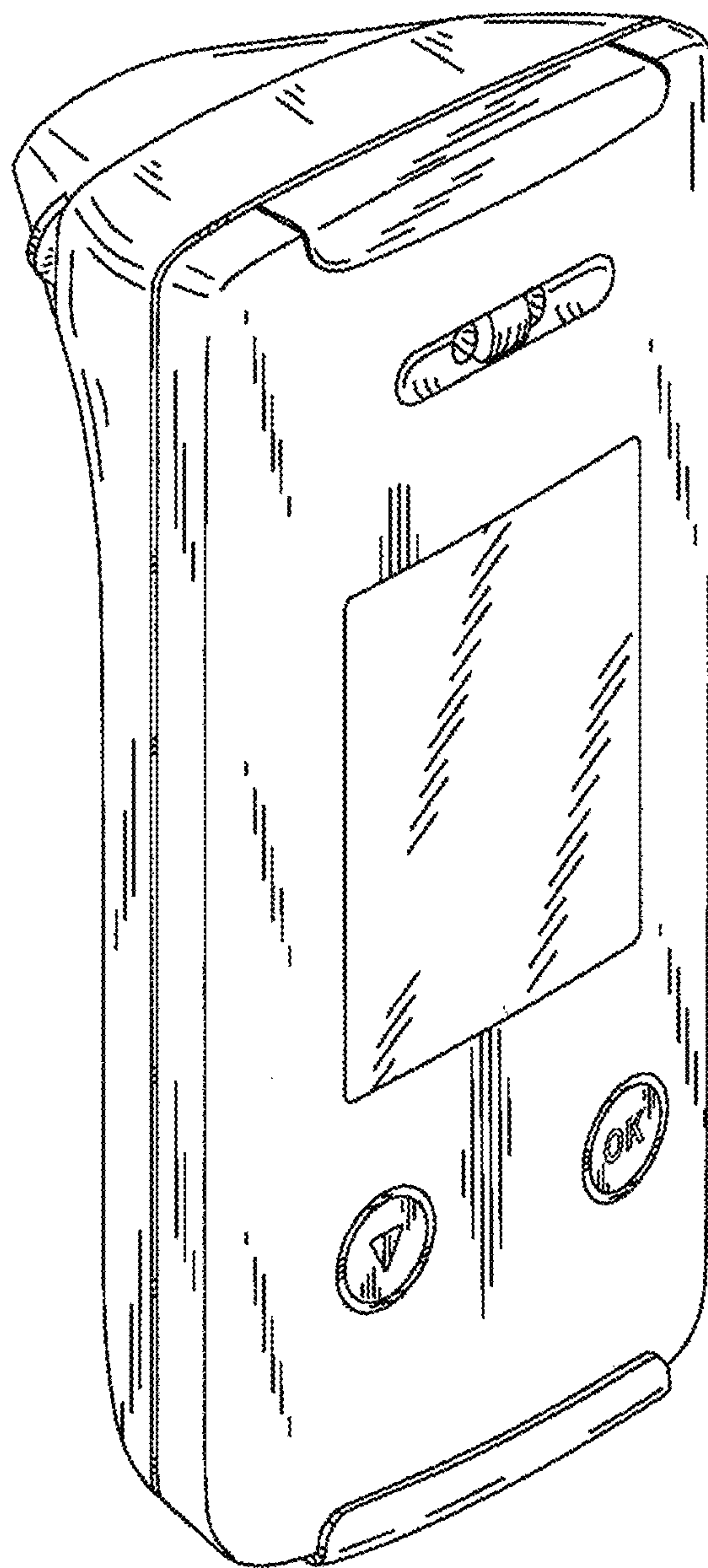
**DESCRIPTION**

FIG. 1 is a perspective view of an alcoholometer that illustrates the novel design;  
FIG. 2 is a front elevational view of the alcoholometer of FIG. 1;  
FIG. 3 is a rear elevational view of the alcoholometer of FIG. 1;  
FIG. 4 is a left elevational view of the alcoholometer of FIG. 1;  
FIG. 5 is a right elevational view of the alcoholometer of FIG. 1;  
FIG. 6 is a top plane view of the alcoholometer of FIG. 1; and,  
FIG. 7 is a bottom plane view of the alcoholometer of FIG. 1.  
The broken lines are for illustration only and form no part of the claimed design.

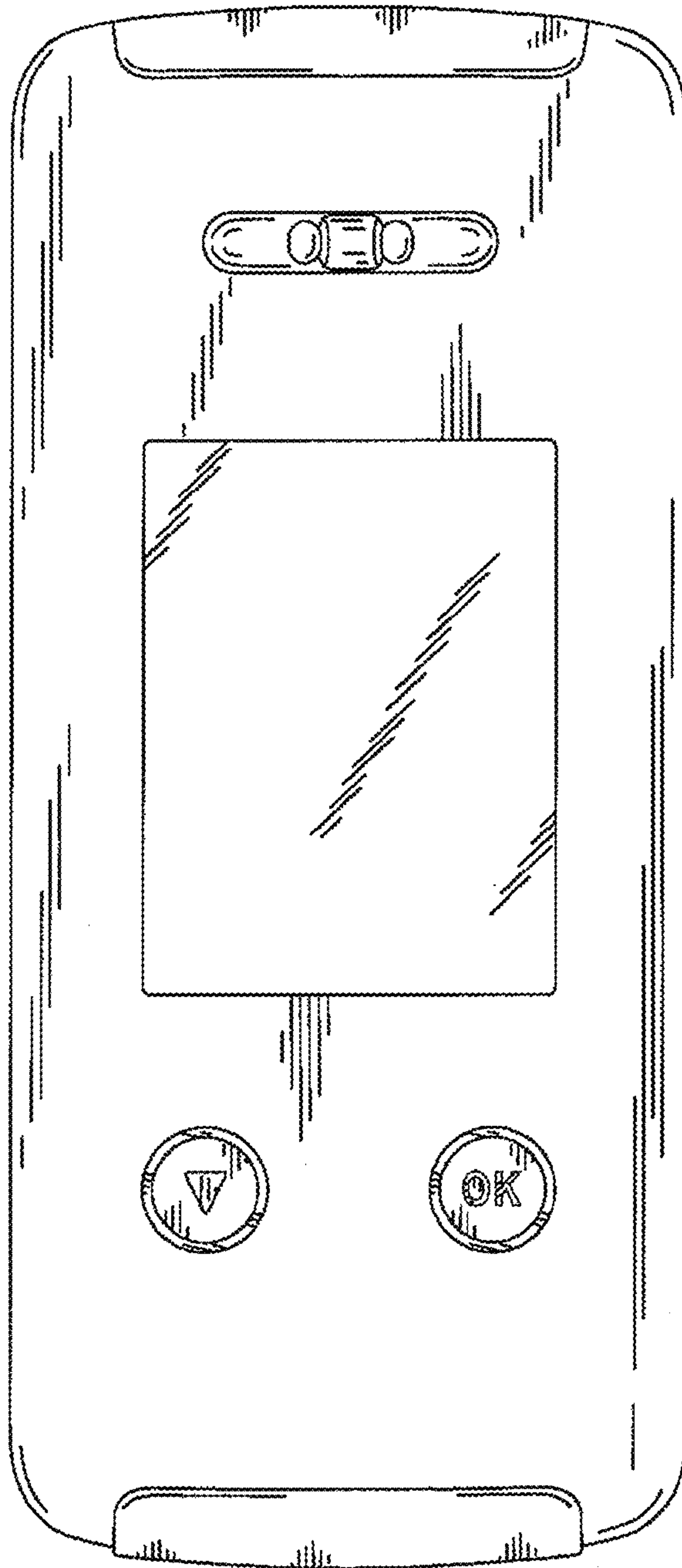
**1 Claim, 7 Drawing Sheets**



top left side perspective view



**FIG. 1**  
top left side perspective view



**FIG. 2**  
front elevational view

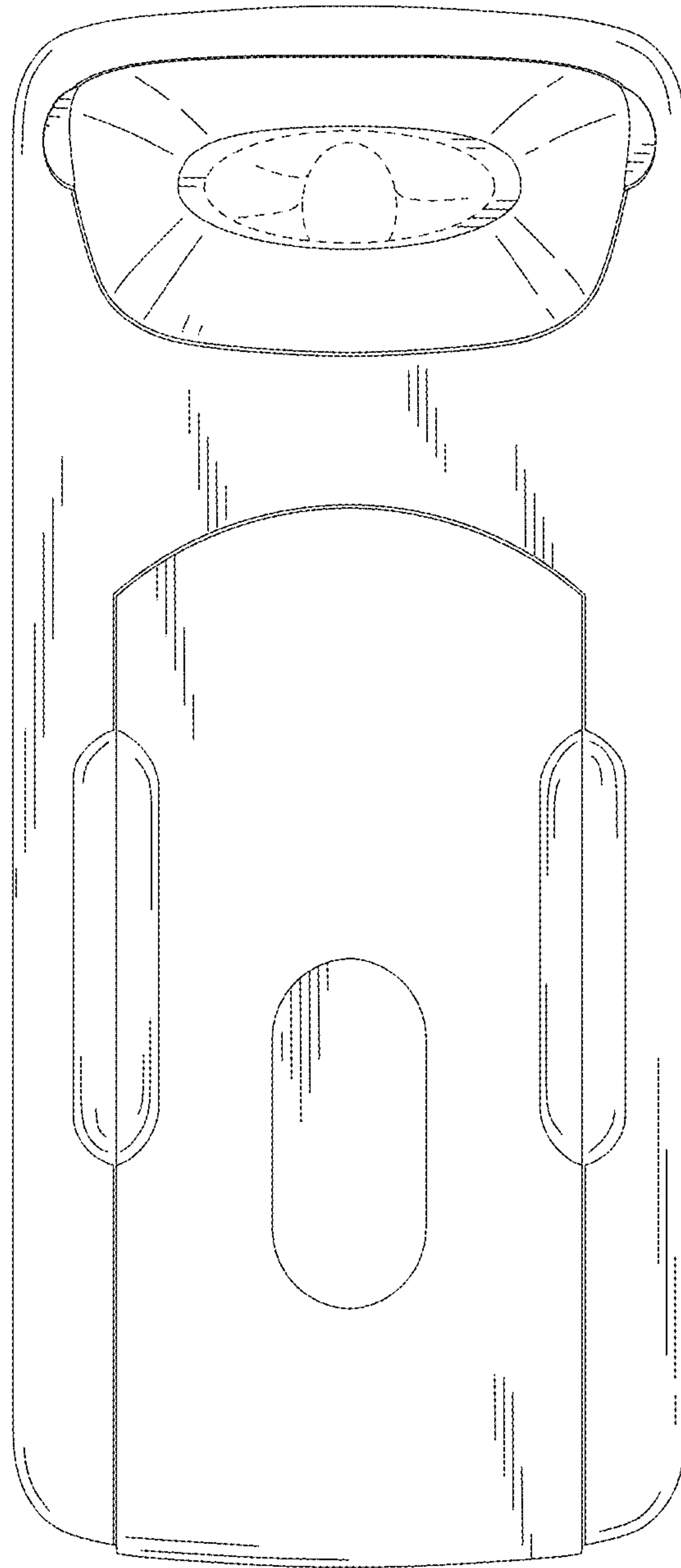
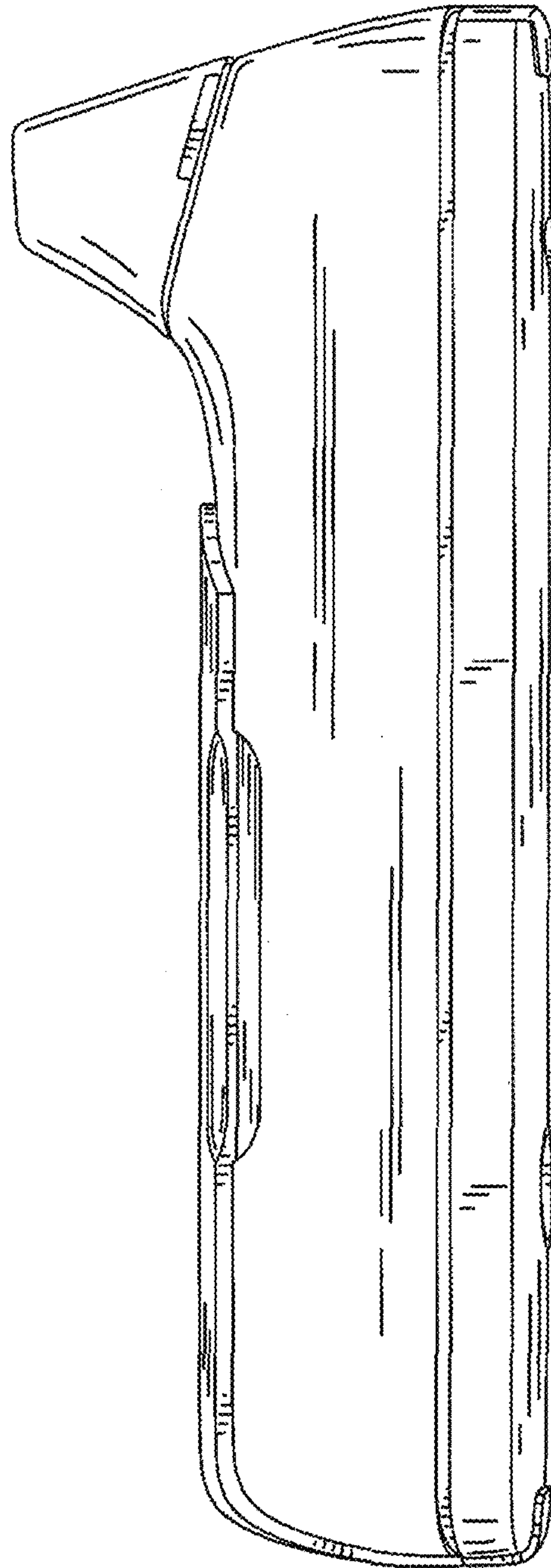
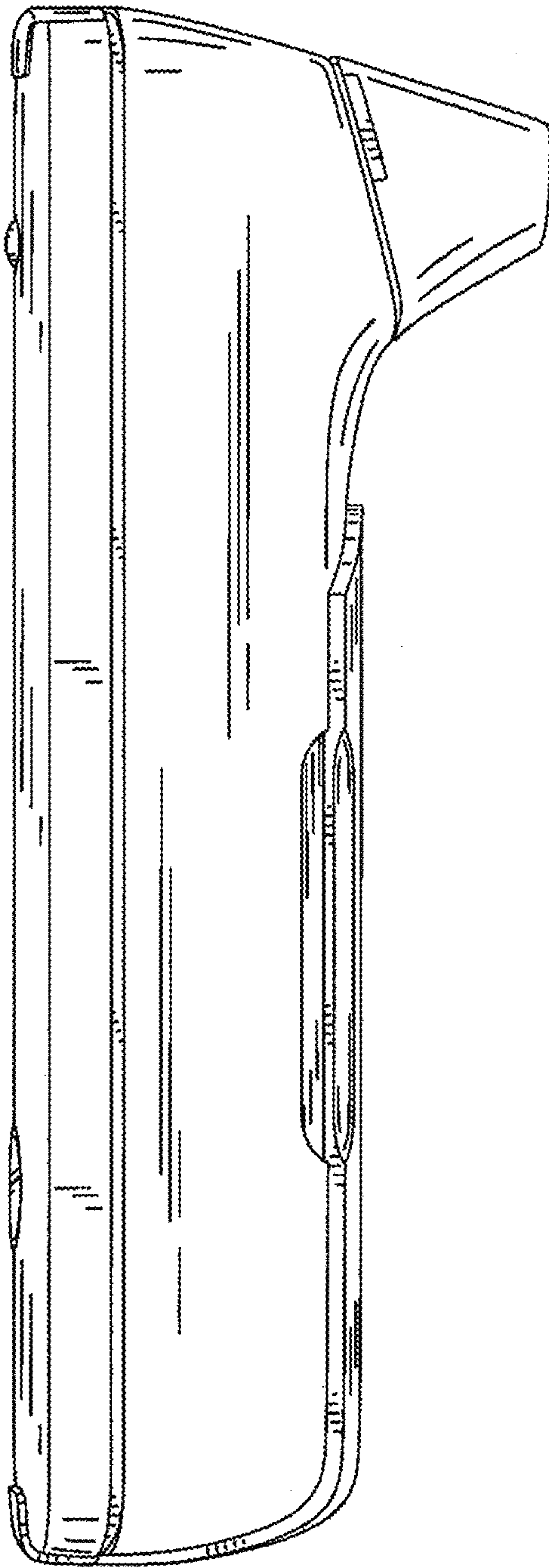


FIG. 3  
rear elevational view

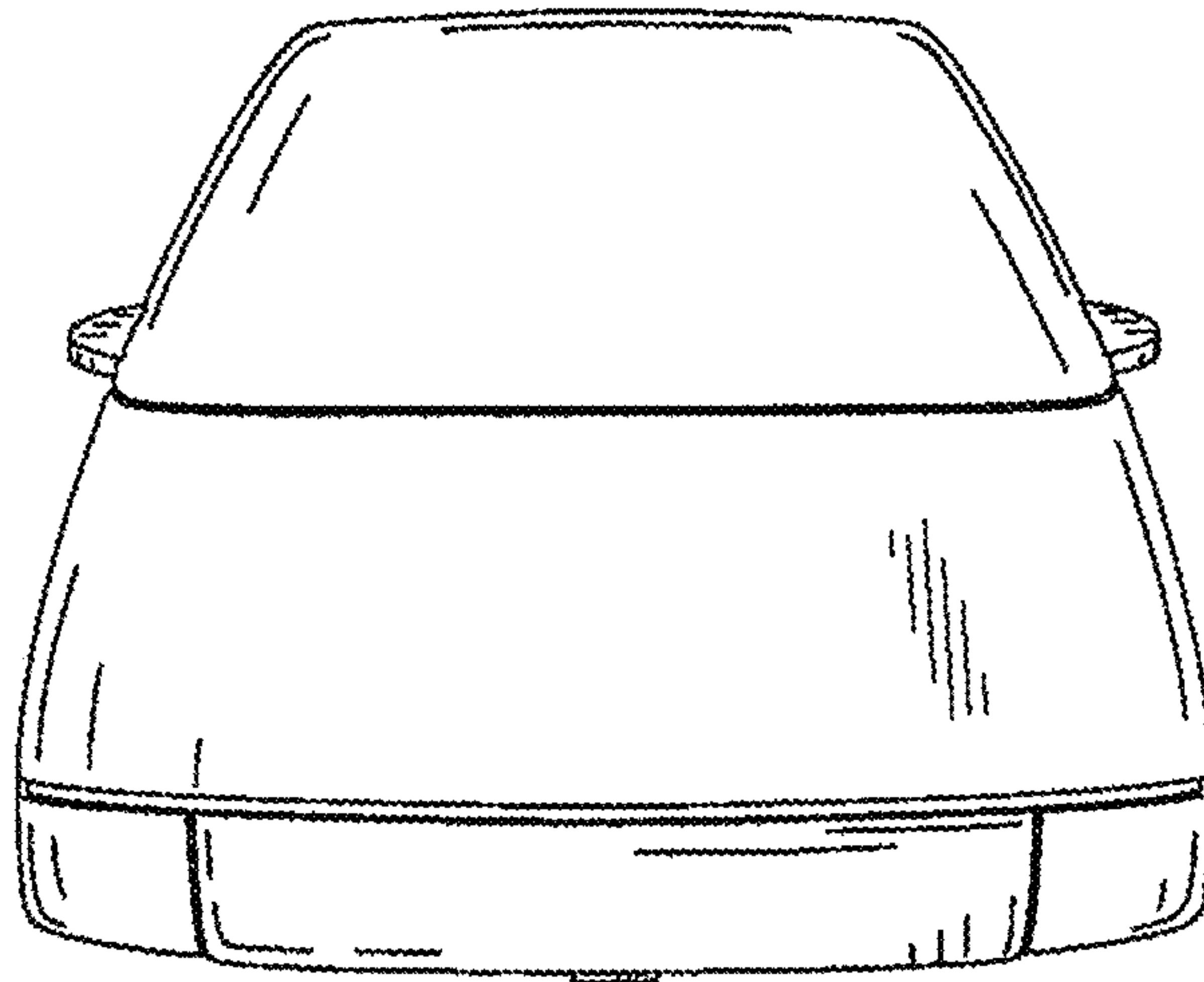


**FIG. 4**  
left side elevational view

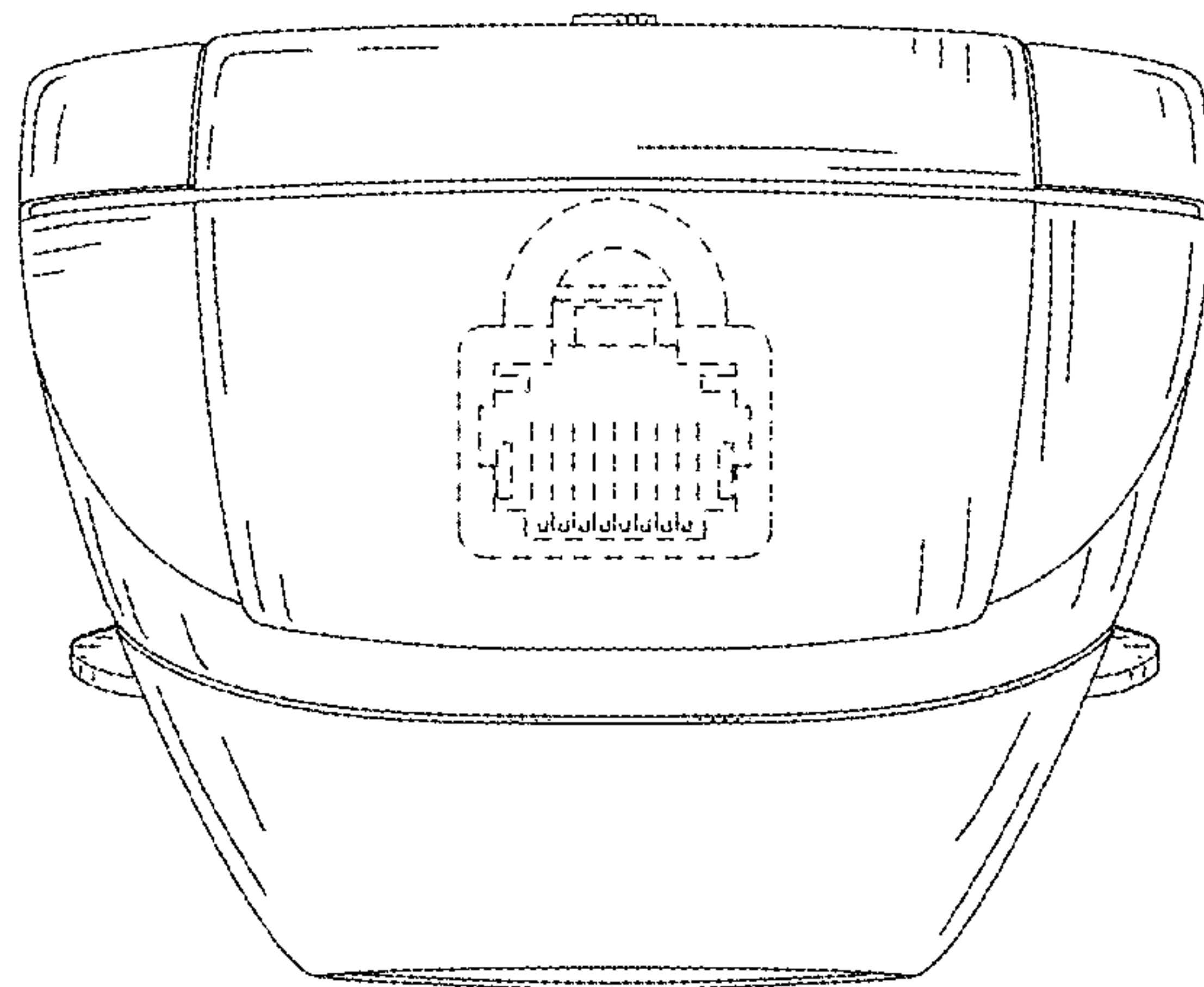




**FIG. 5**  
right side elevational view



**FIG. 6**  
top plane view



**FIG. 7**  
bottom plane view