

US00D759519S

(12) **United States Design Patent**  
**Apotheloz**

(10) **Patent No.:** **US D759,519 S**  
(45) **Date of Patent:** **\*\* Jun. 21, 2016**

(54) **LABORATORY APPARATUS**

(71) Applicant: **Tecan Trading AG**, Mannedorf (CH)

(72) Inventor: **Christophe E. Apotheloz**, Gockhausen (CH)

(73) Assignee: **TECAN TRADING AG**, Mannedorf (CH)

(\*\*) Term: **14 Years**

(21) Appl. No.: **29/514,279**

(22) Filed: **Jan. 9, 2015**

(30) **Foreign Application Priority Data**

Jul. 11, 2014 (WO) ..... 825937901

(51) **LOC (10) Cl.** ..... **10-04**

(52) **U.S. Cl.**  
USPC ..... **D10/81; D24/232**

(58) **Field of Classification Search**

USPC ..... D10/46, 81; D24/216, 232-234  
CPC . G01N 21/62; G01N 2021/625; G01N 21/64;  
G01N 21/645; G01N 21/6452; G01N 21/6458;  
G01N 2021/6482; G01N 2021/6463  
See application file for complete search history.

(56) **References Cited**

**U.S. PATENT DOCUMENTS**

7,628,958 B2 \* 12/2009 Tamaoki ..... G01N 21/6452  
422/82.05  
7,966,051 B2 \* 6/2011 Xie ..... A61M 5/16836  
600/317  
8,034,293 B2 \* 10/2011 Kumar ..... G01N 21/253  
422/500  
D693,714 S \* 11/2013 Noda ..... D10/81  
D699,610 S \* 2/2014 Noda ..... D10/81  
8,885,166 B2 \* 11/2014 Bianchessi ..... G01N 21/6428  
356/406  
9,101,764 B2 \* 8/2015 Nuccitelli ..... A61N 1/36

\* cited by examiner

*Primary Examiner* — Antoine D Davis

(74) *Attorney, Agent, or Firm* — Notaro, Michalos & Zaccaria P.C.

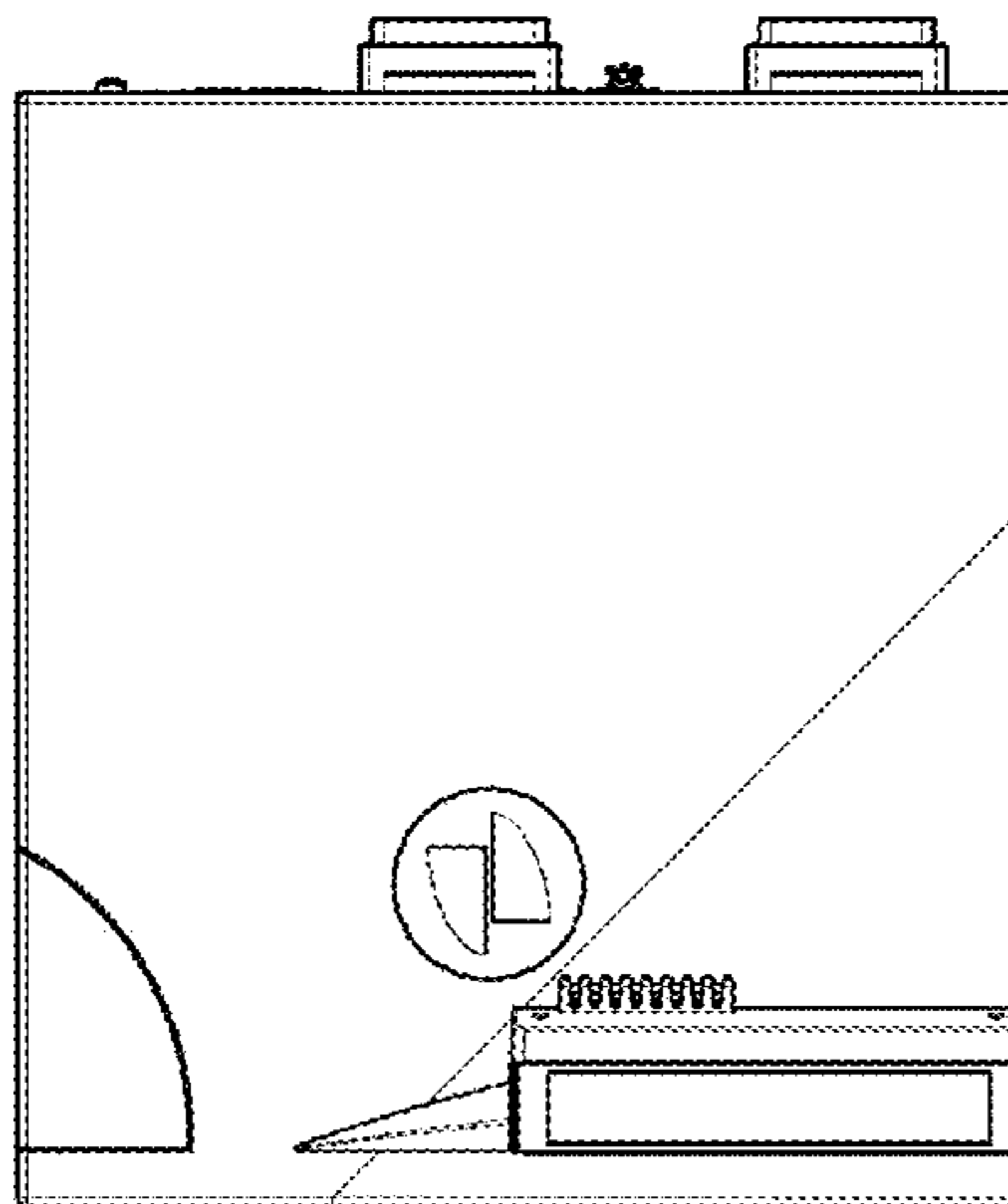
(57) **CLAIM**

The ornamental design for a laboratory apparatus, as shown and described.

**DESCRIPTION**

FIG. 1 is a top plan view of a showing my new design therefor;  
FIG. 2 is a right side elevational view thereof;  
FIG. 3 is a left side elevational view thereof;  
FIG. 4 is a top front right perspective view thereof;  
FIG. 5 is a front elevational view thereof;  
FIG. 6 is a rear elevational view thereof; and  
FIG. 7 is a top plan view thereof;  
FIG. 8 is a left side elevational view thereof;  
FIG. 9 is a front left perspective view thereof;  
FIG. 10 is top front right perspective view thereof;  
FIG. 11 is a bottom plan view thereof;  
FIG. 12 is a front elevational view thereof;  
FIG. 13 is a top plan view of the embodiment of FIG. 1 with a display portion removed;  
FIG. 14 is a right side elevational view thereof;  
FIG. 15 is a left side elevational view thereof;  
FIG. 16 is a top front right perspective view thereof;  
FIG. 17 is a front elevational view thereof;  
FIG. 18 is a rear elevational view thereof;  
FIG. 19 is a right side elevational view of the embodiment of FIG. 7 with a display section removed;  
FIG. 20 is a top plan view thereof;  
FIG. 21 is a left side elevational view thereof;  
FIG. 22 is a top front left perspective view thereof;  
FIG. 23 is a top front right perspective view thereof;  
FIG. 24 is a bottom plan view thereof; and,  
FIG. 25 is a front elevational view thereof.

**1 Claim, 25 Drawing Sheets**



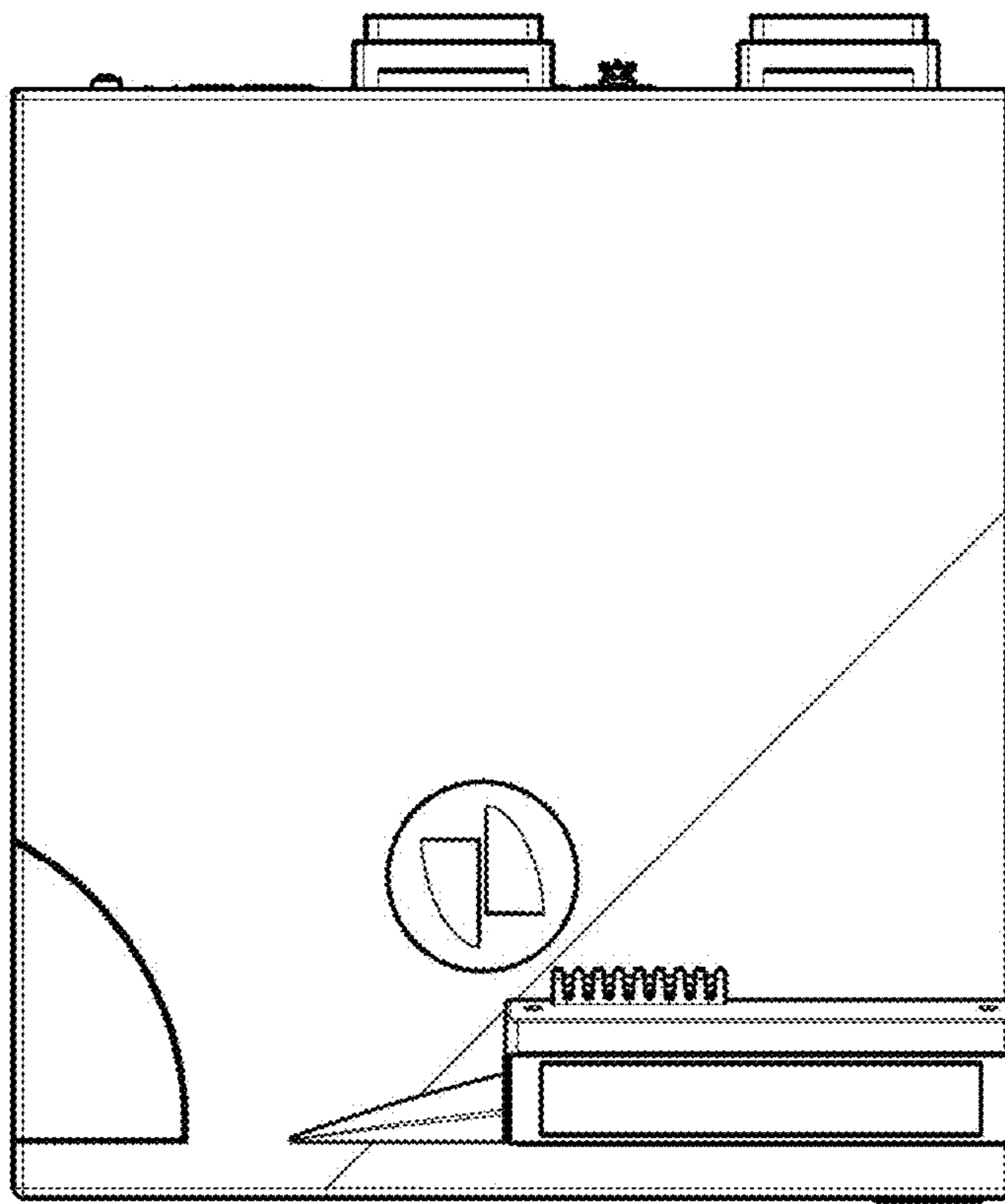


FIG. 1

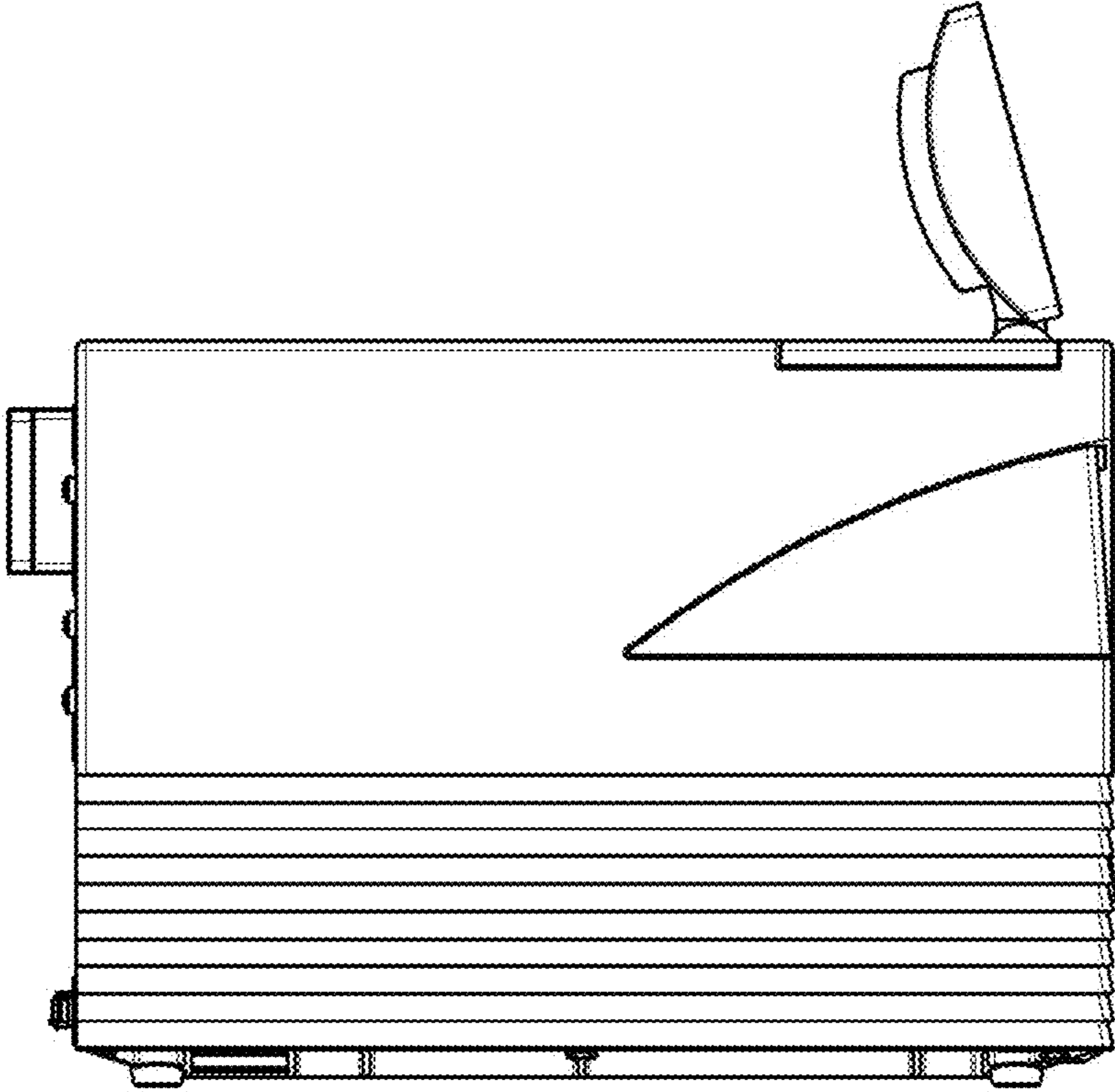


FIG. 2

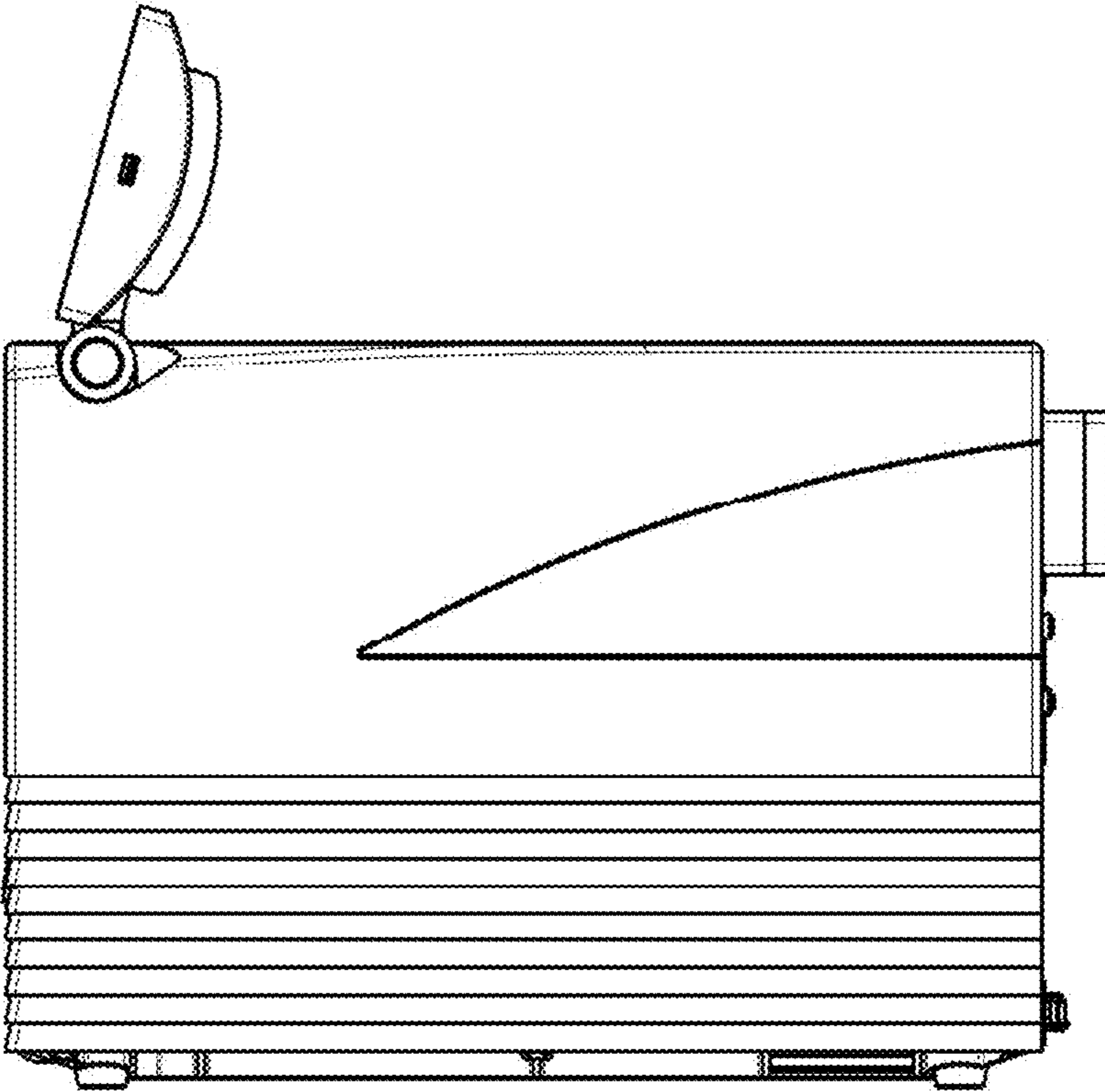


FIG. 3

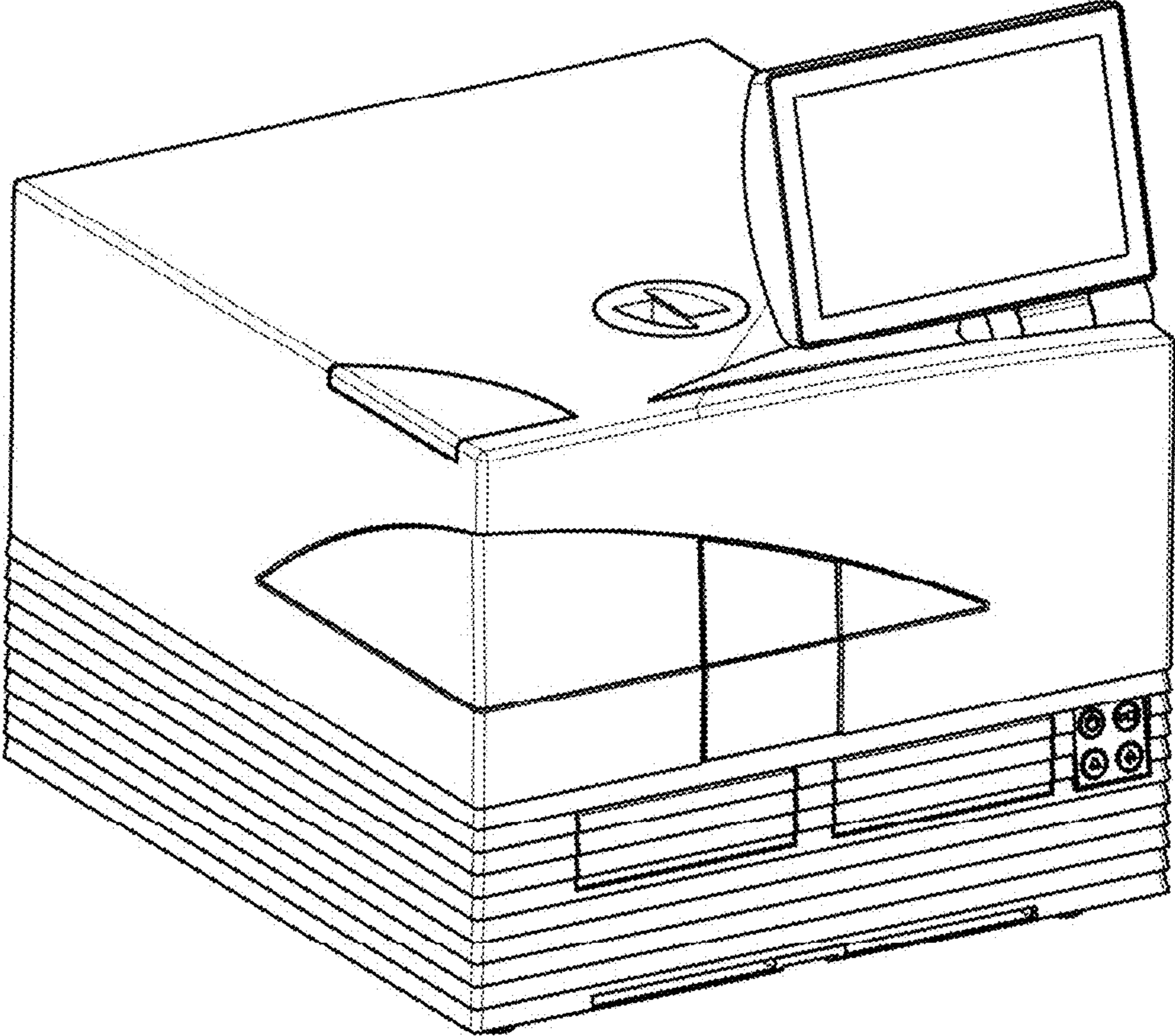


FIG. 4



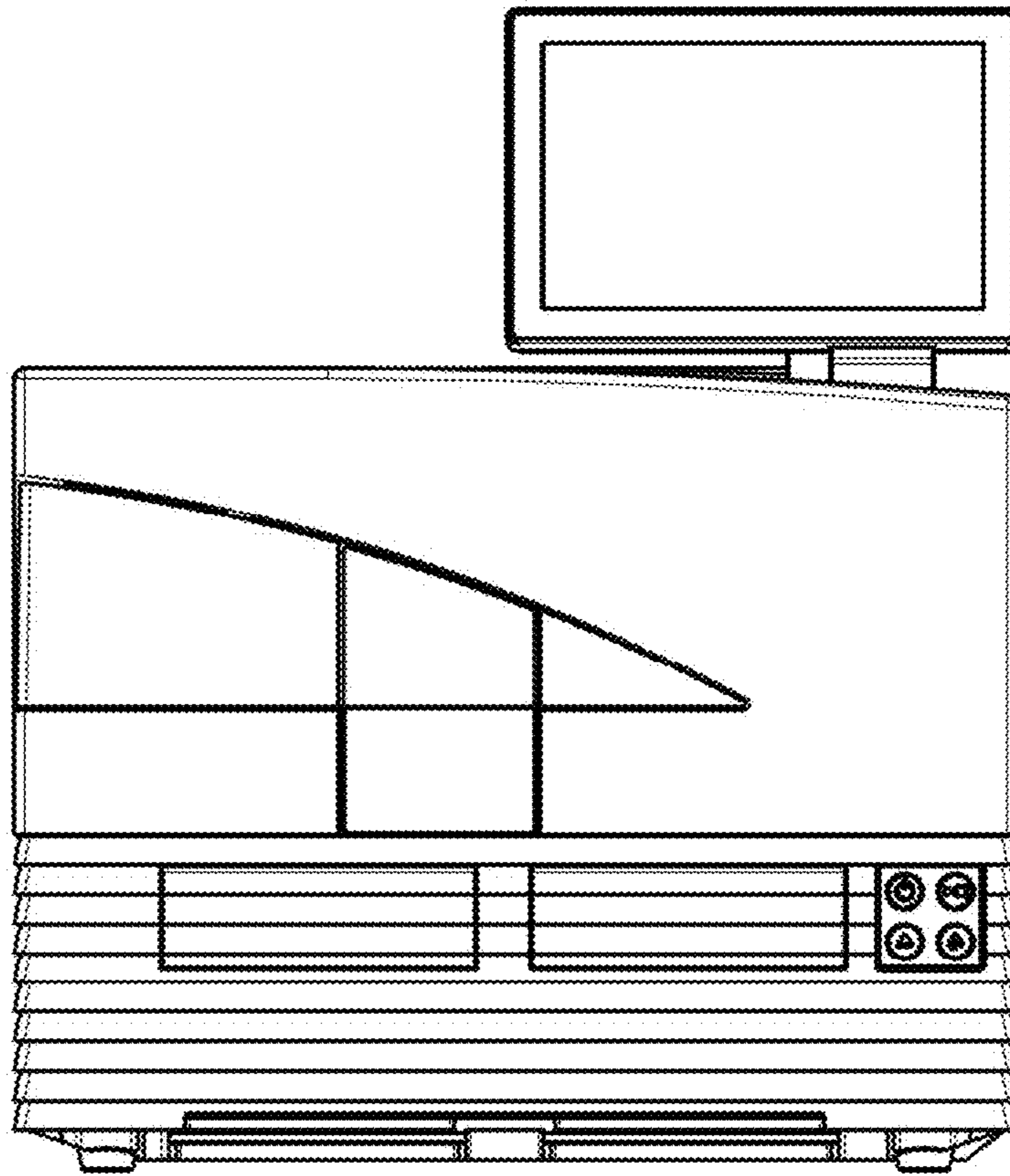


FIG. 5

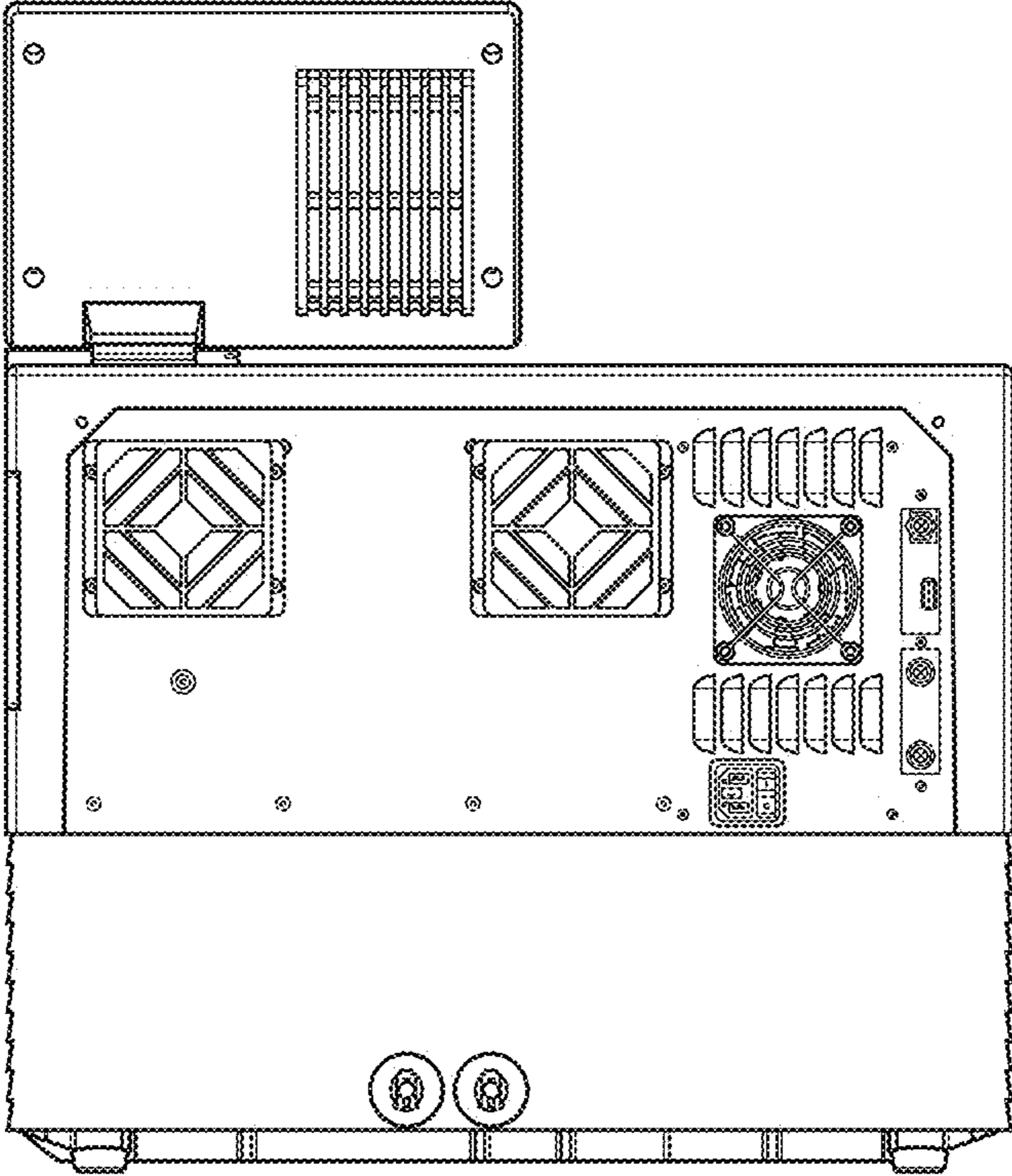


FIG. 6

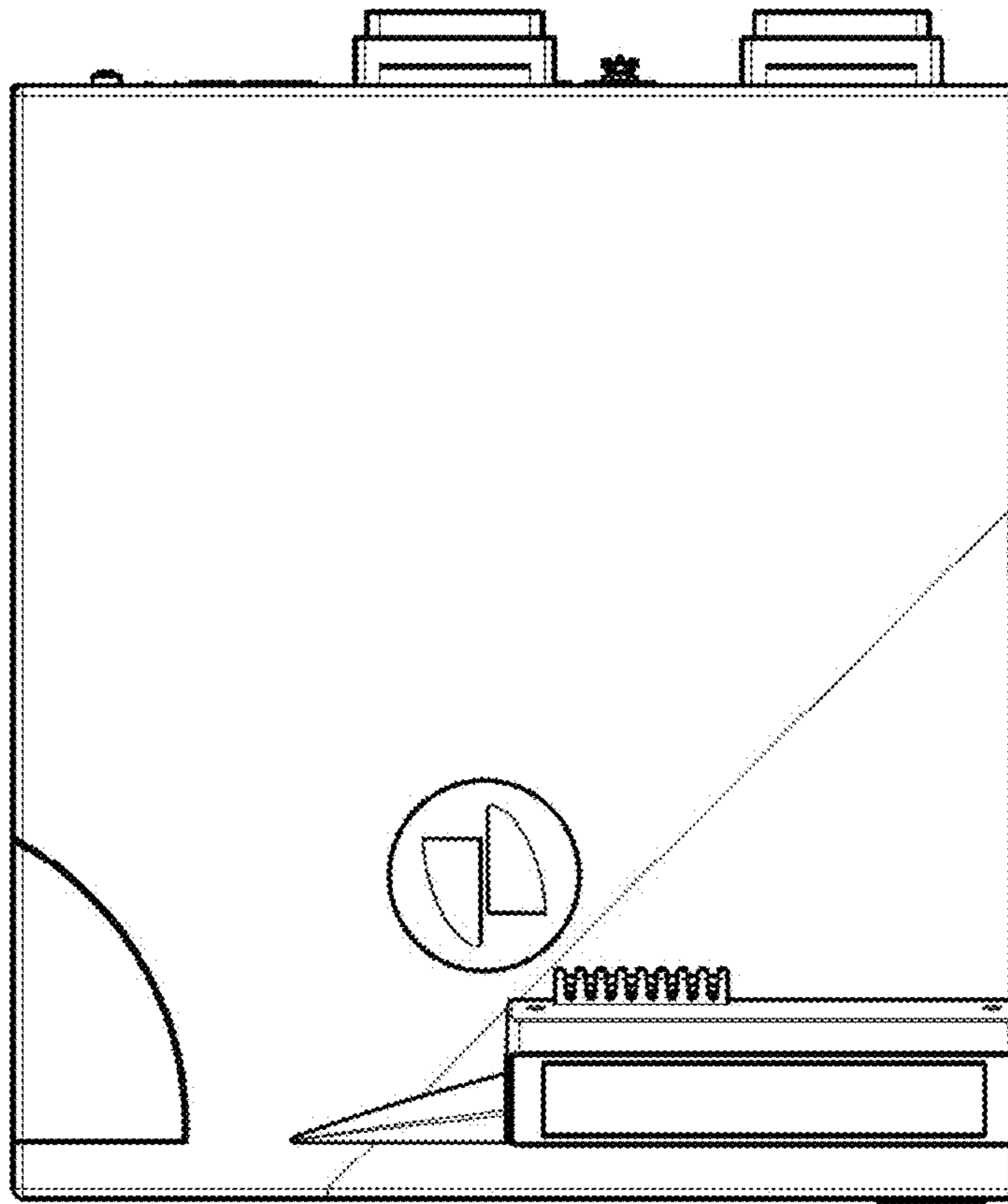


FIG. 7



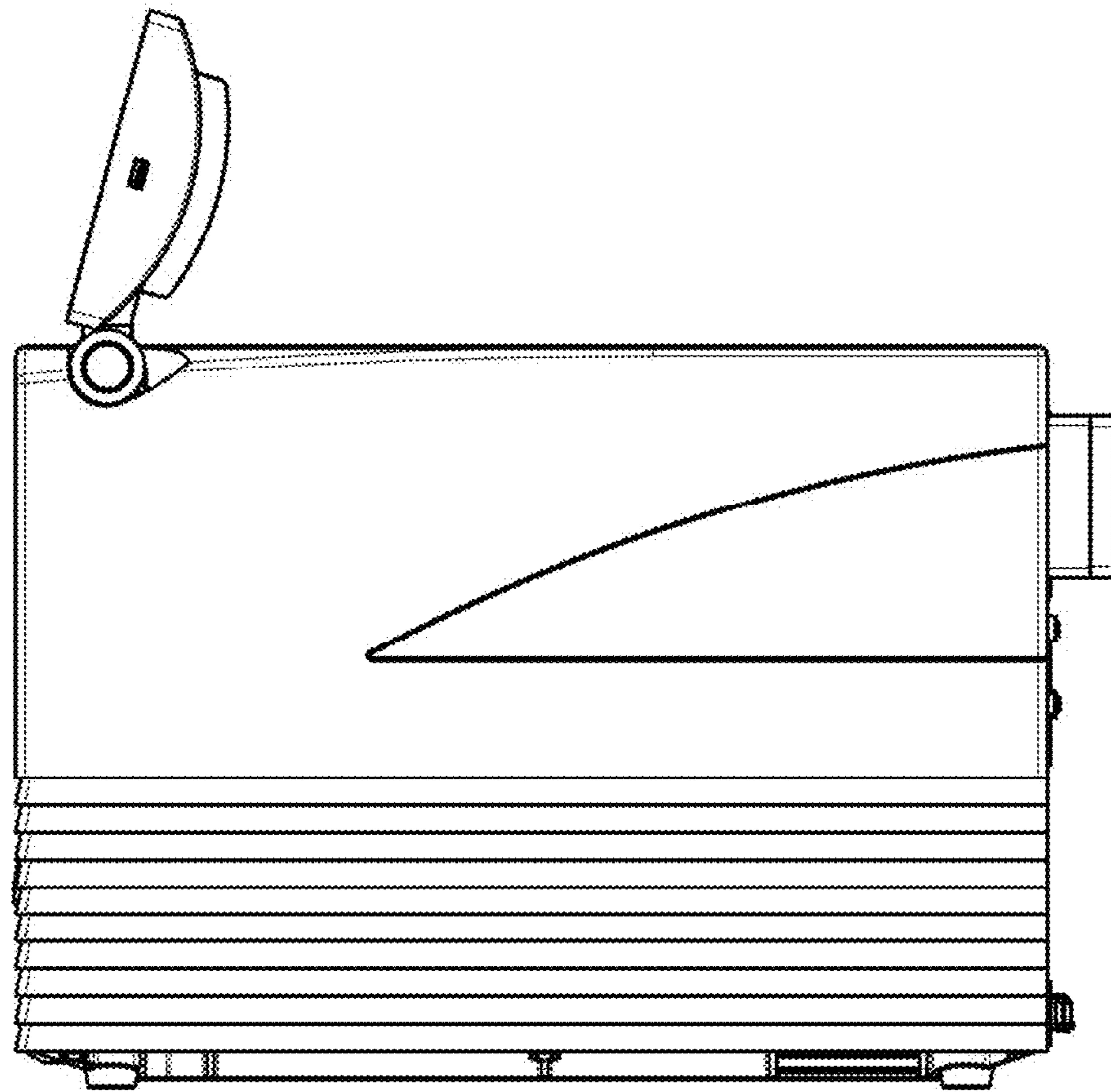


FIG. 8

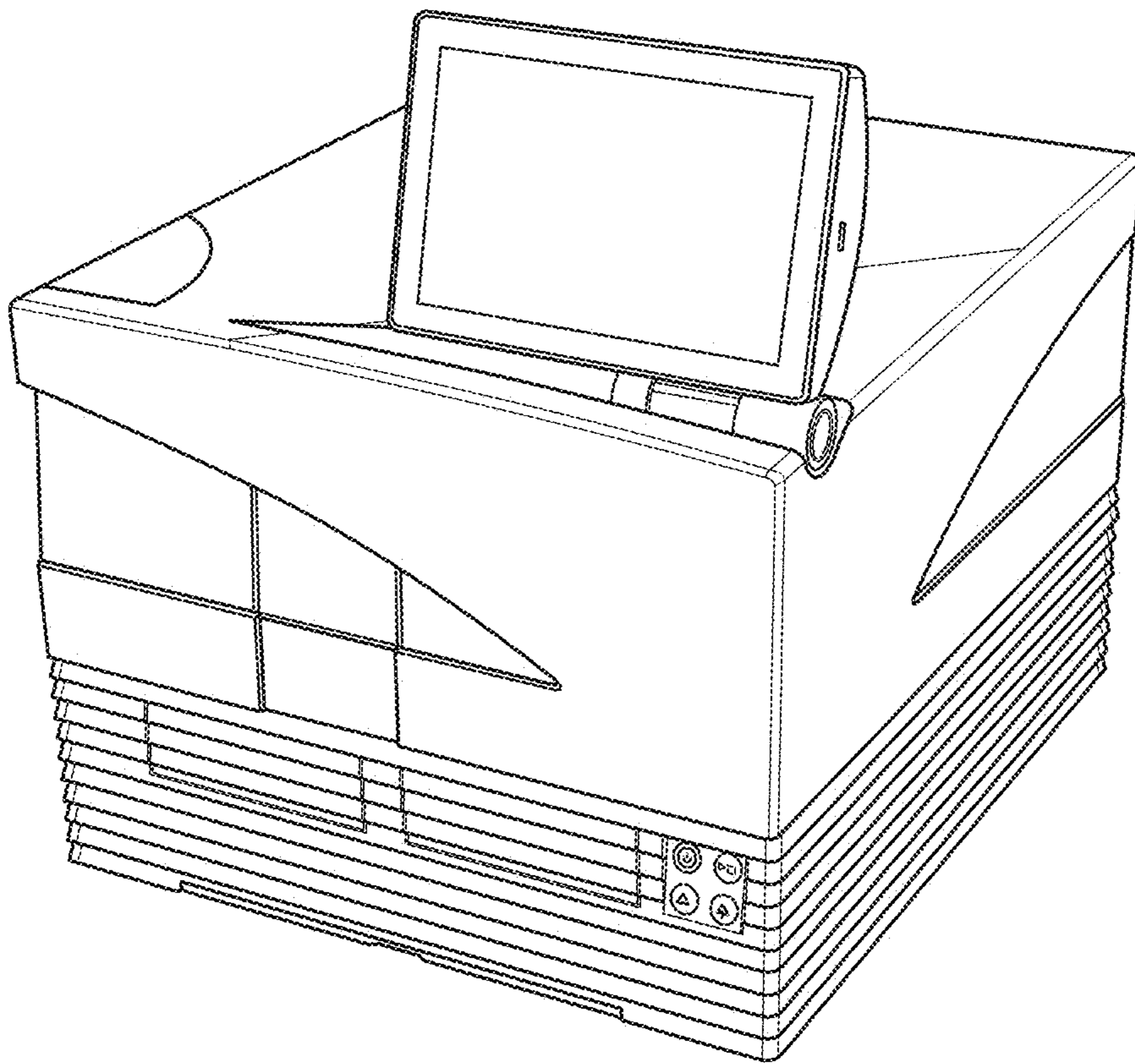


FIG. 9

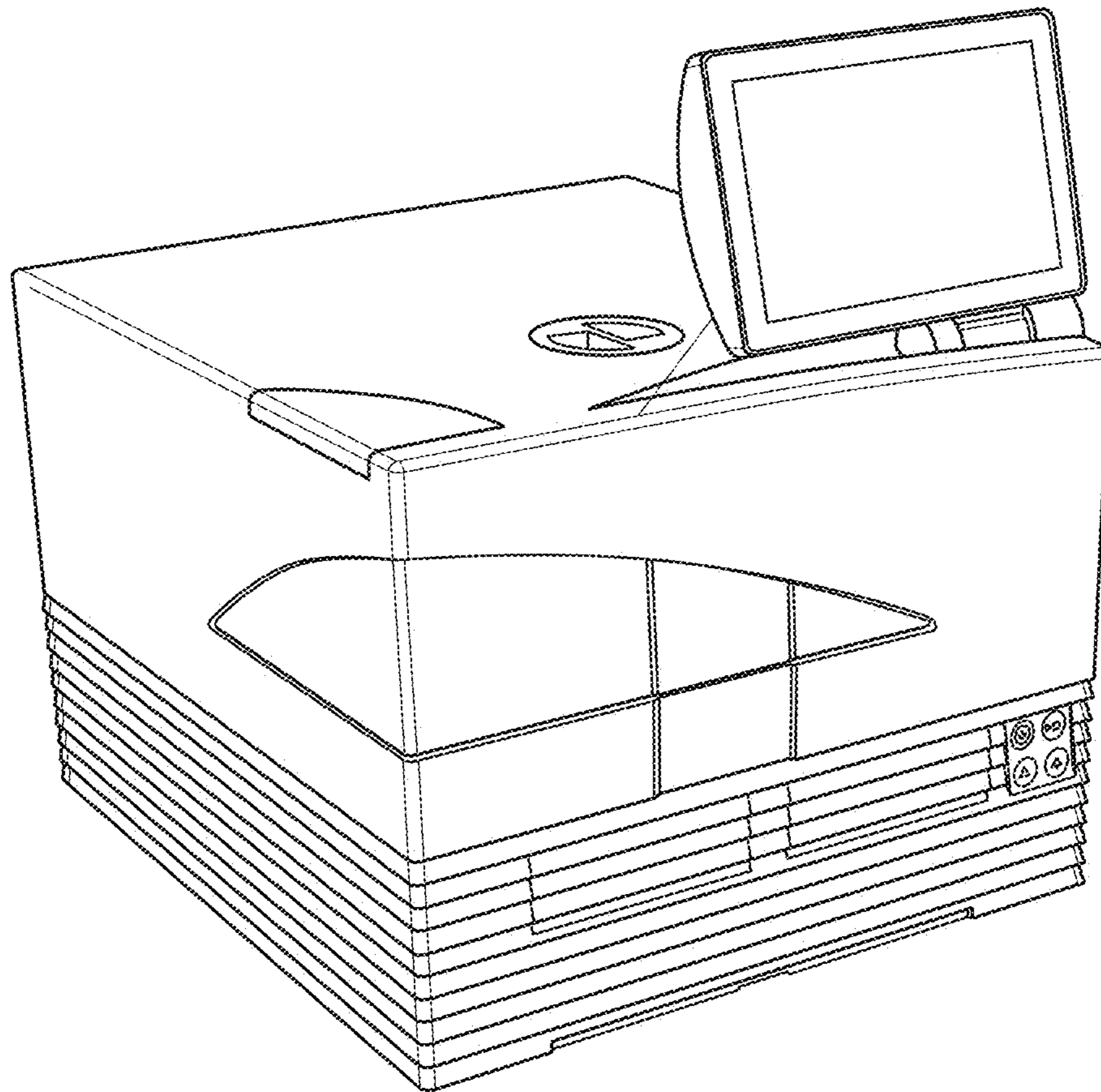


FIG. 10

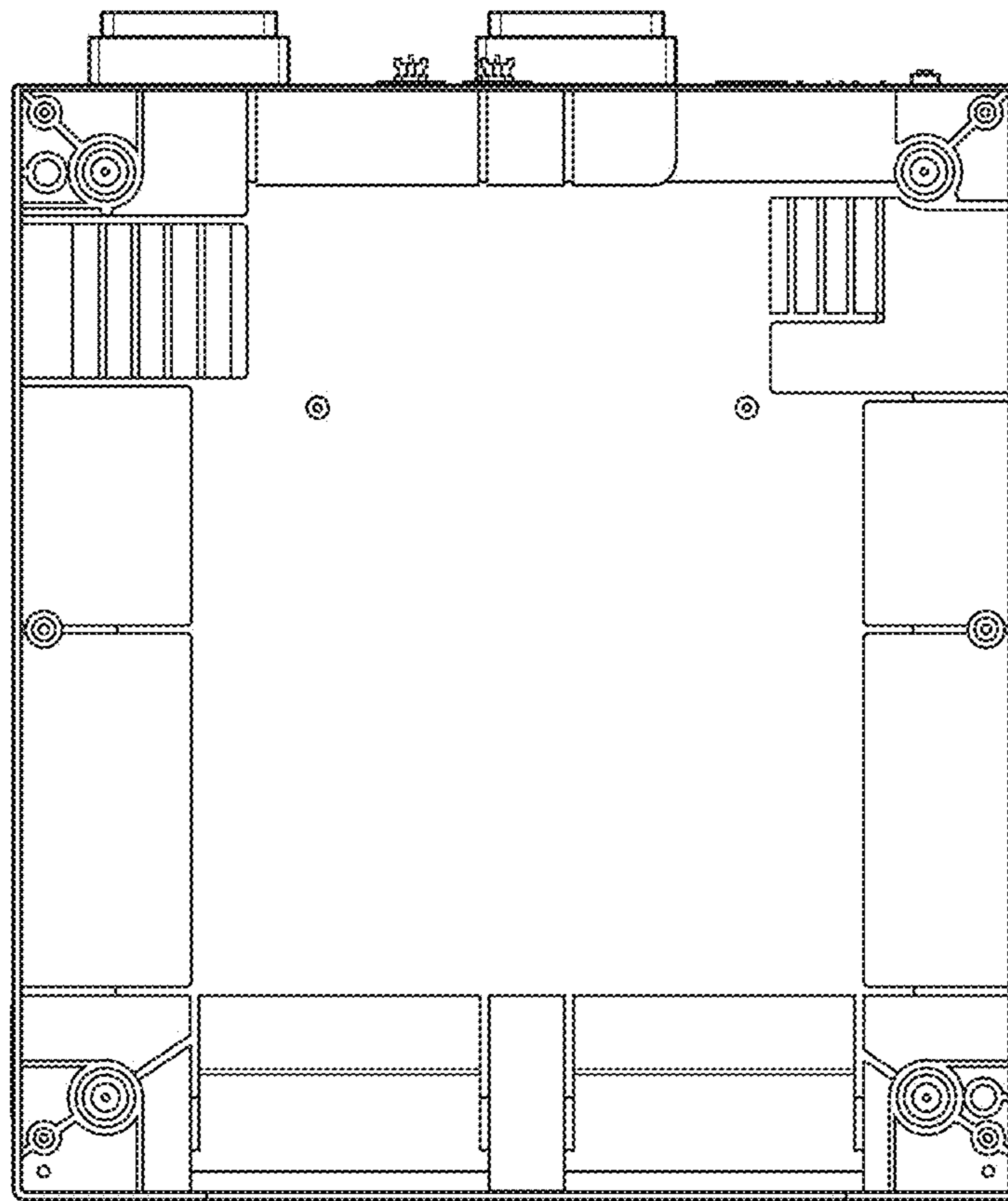


FIG. 11

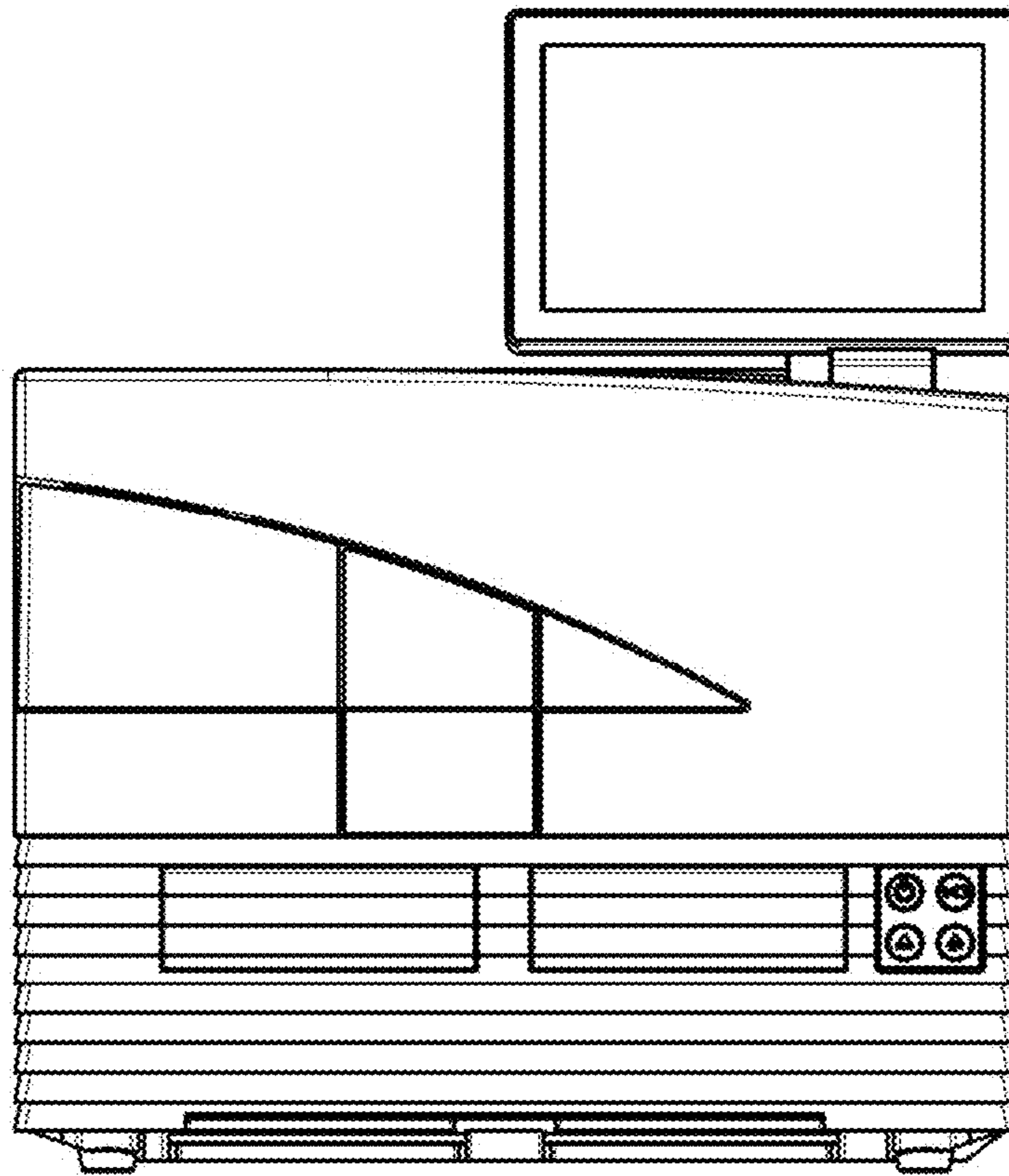


FIG. 12

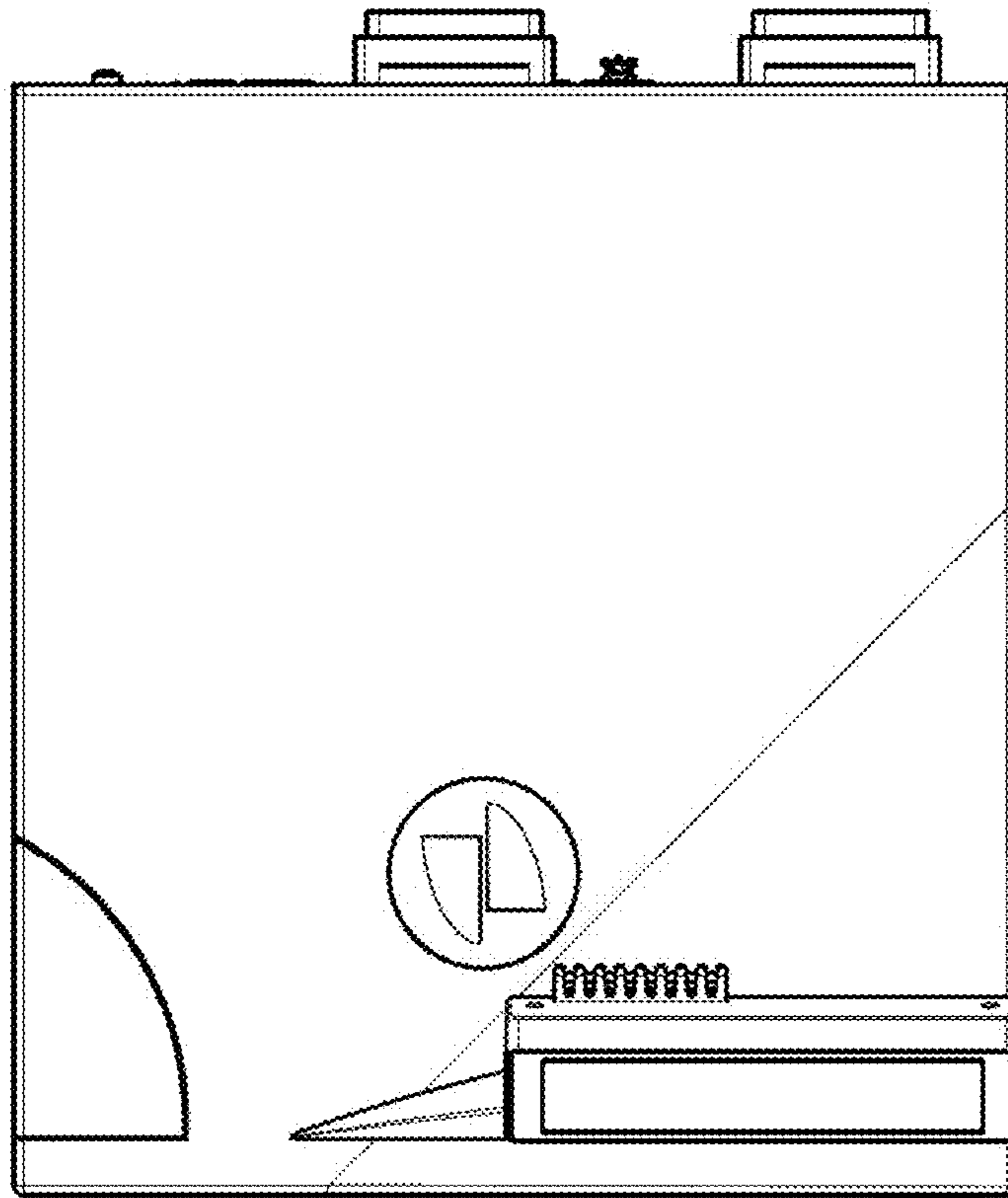


FIG. 13



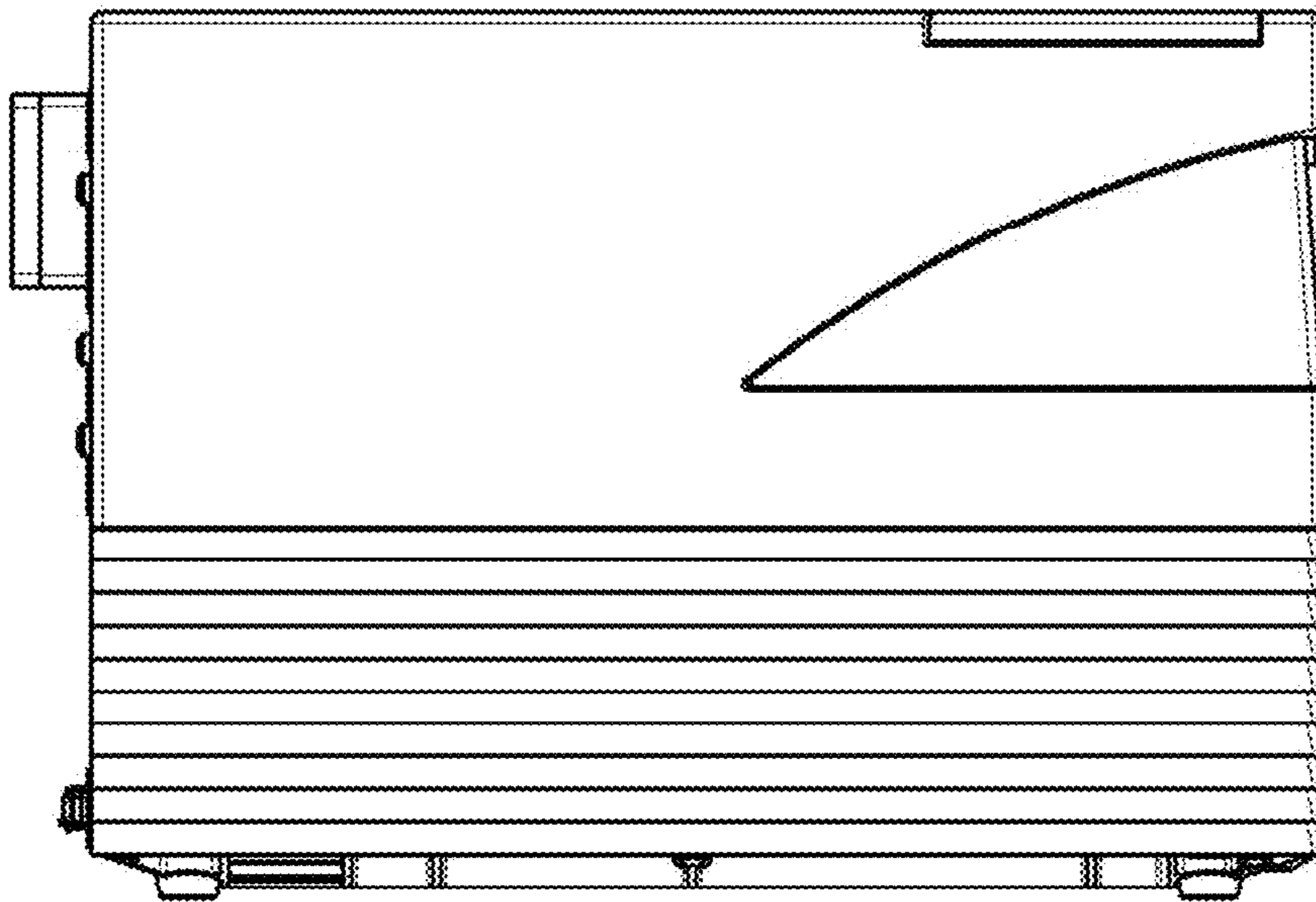


FIG. 14

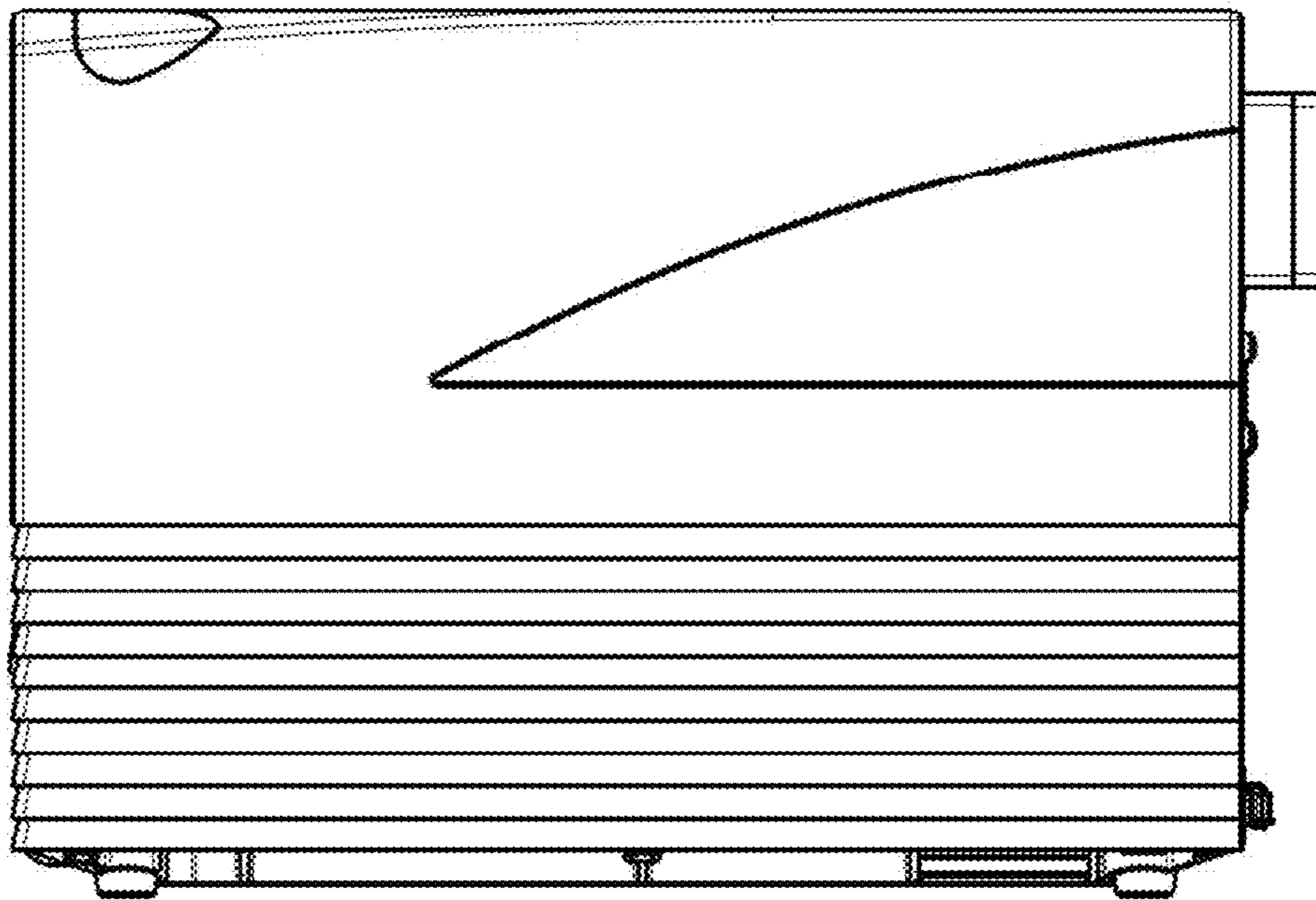


FIG. 15

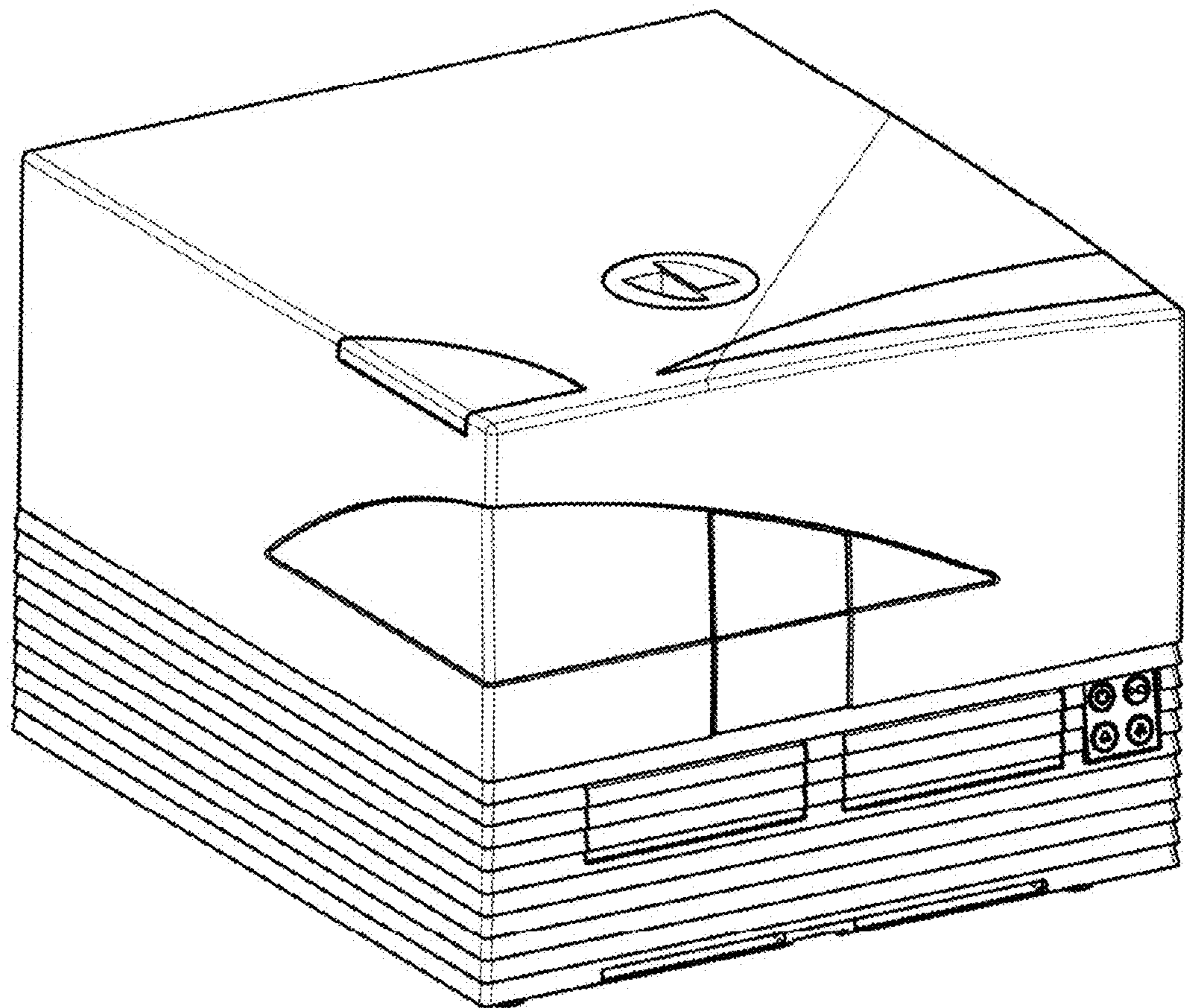


FIG. 16

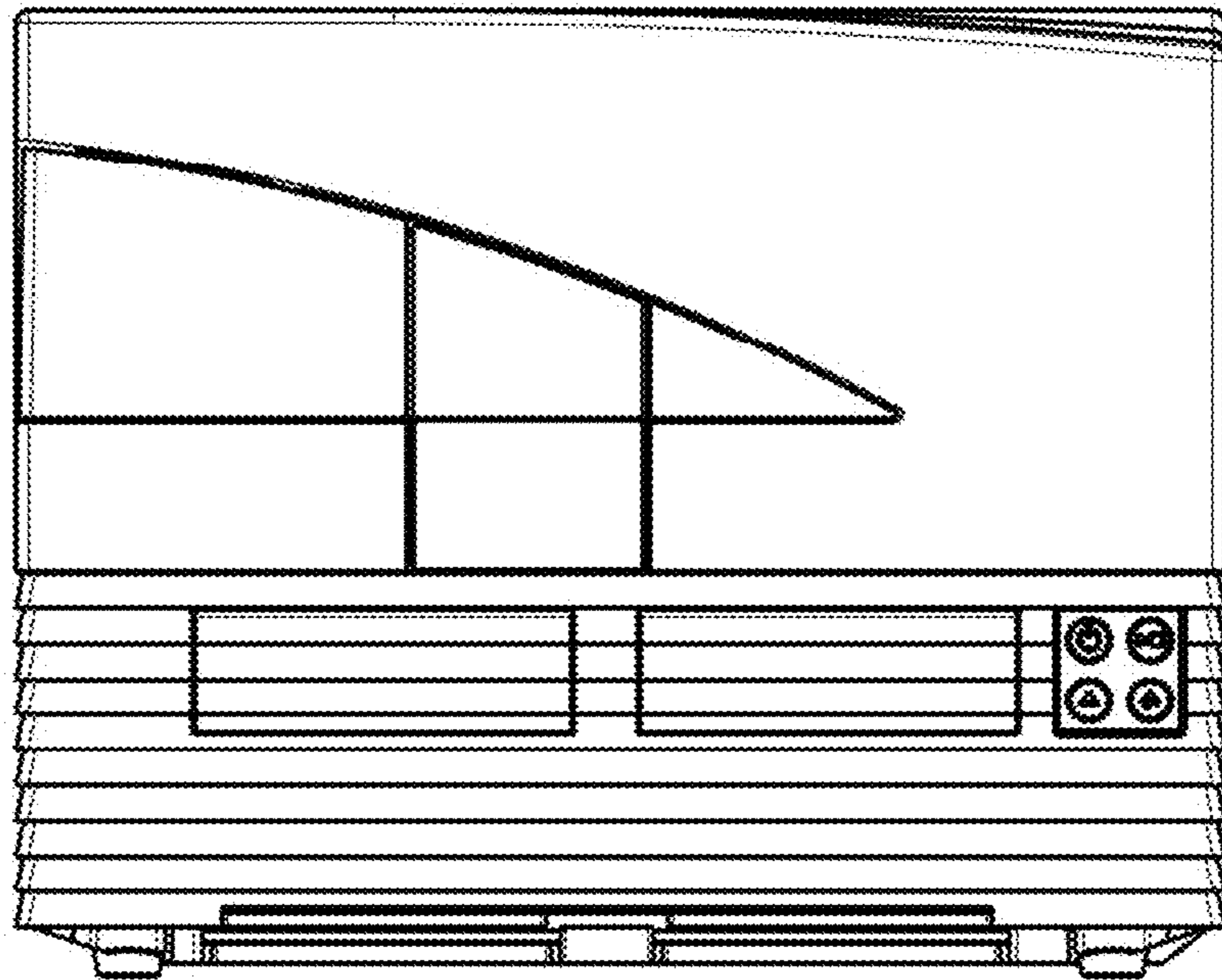


FIG. 17

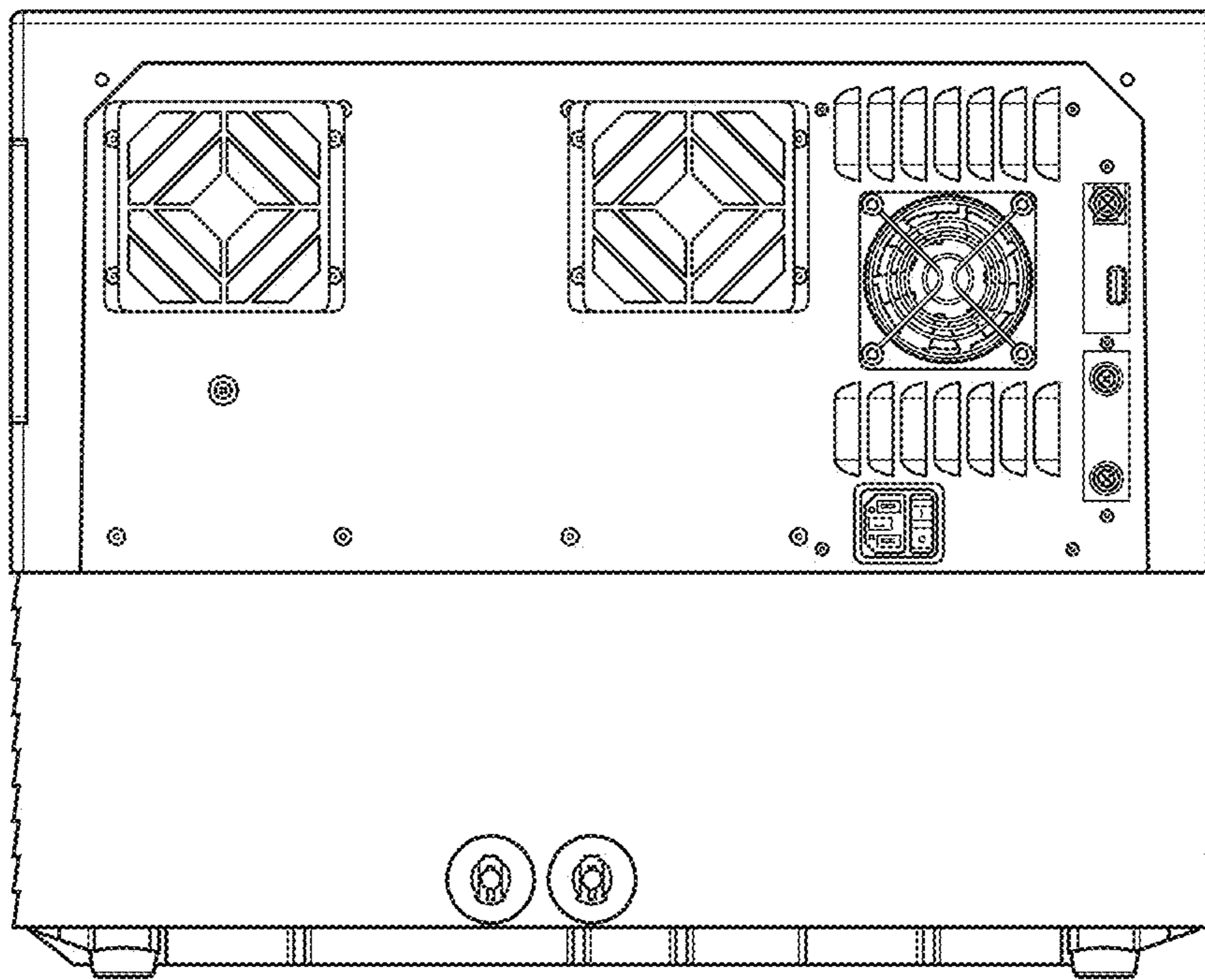


FIG. 18

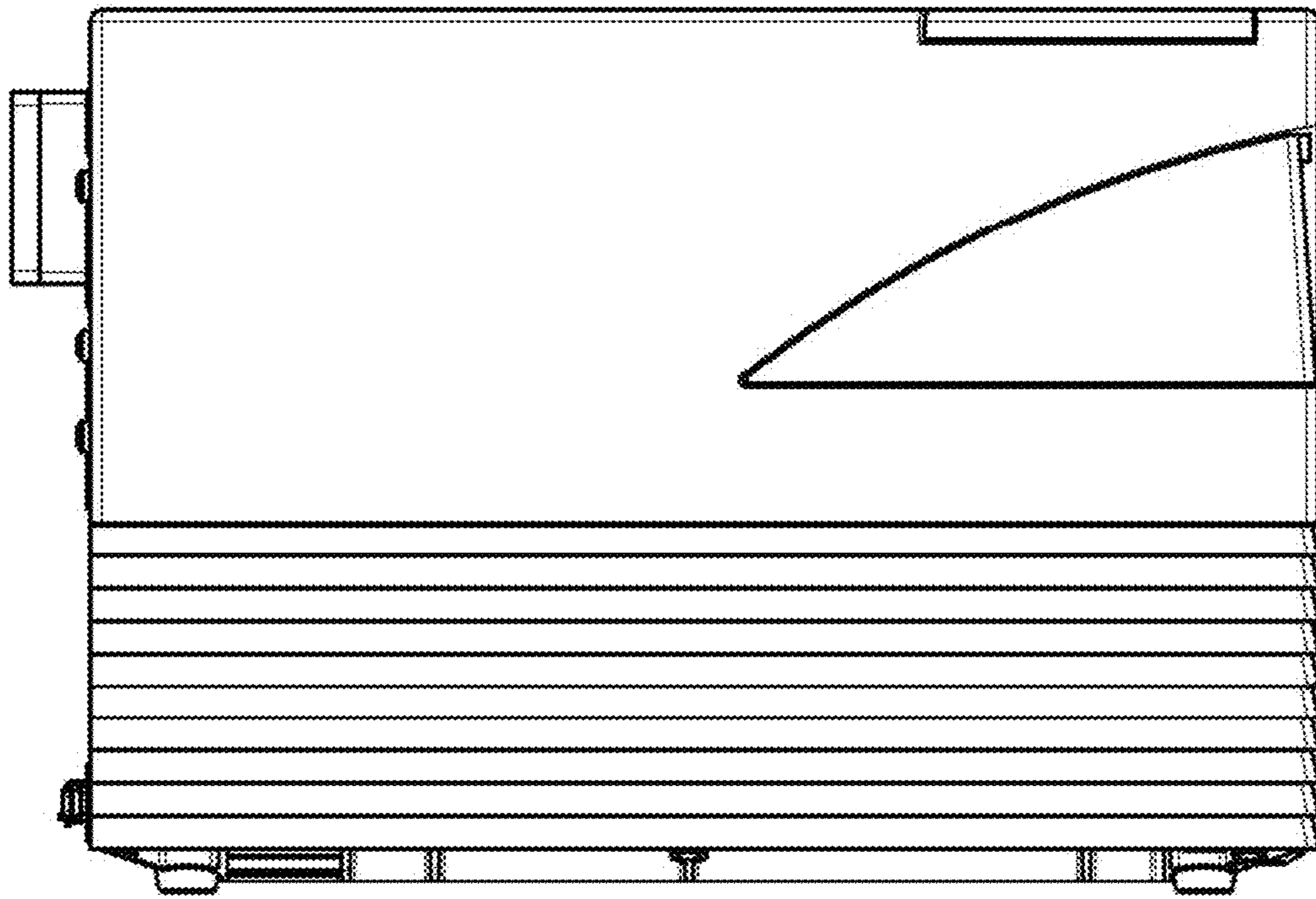


FIG. 19



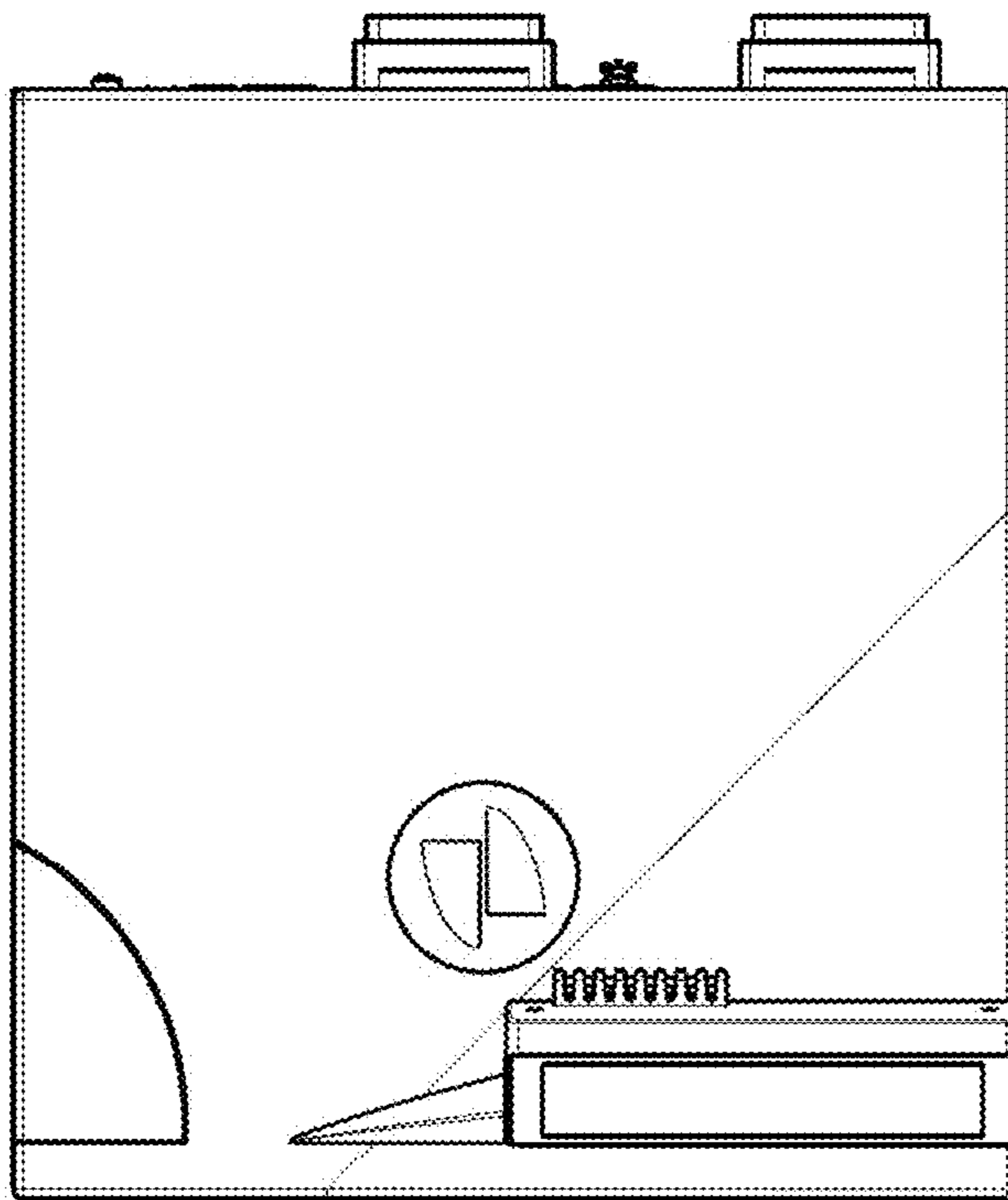


FIG. 20

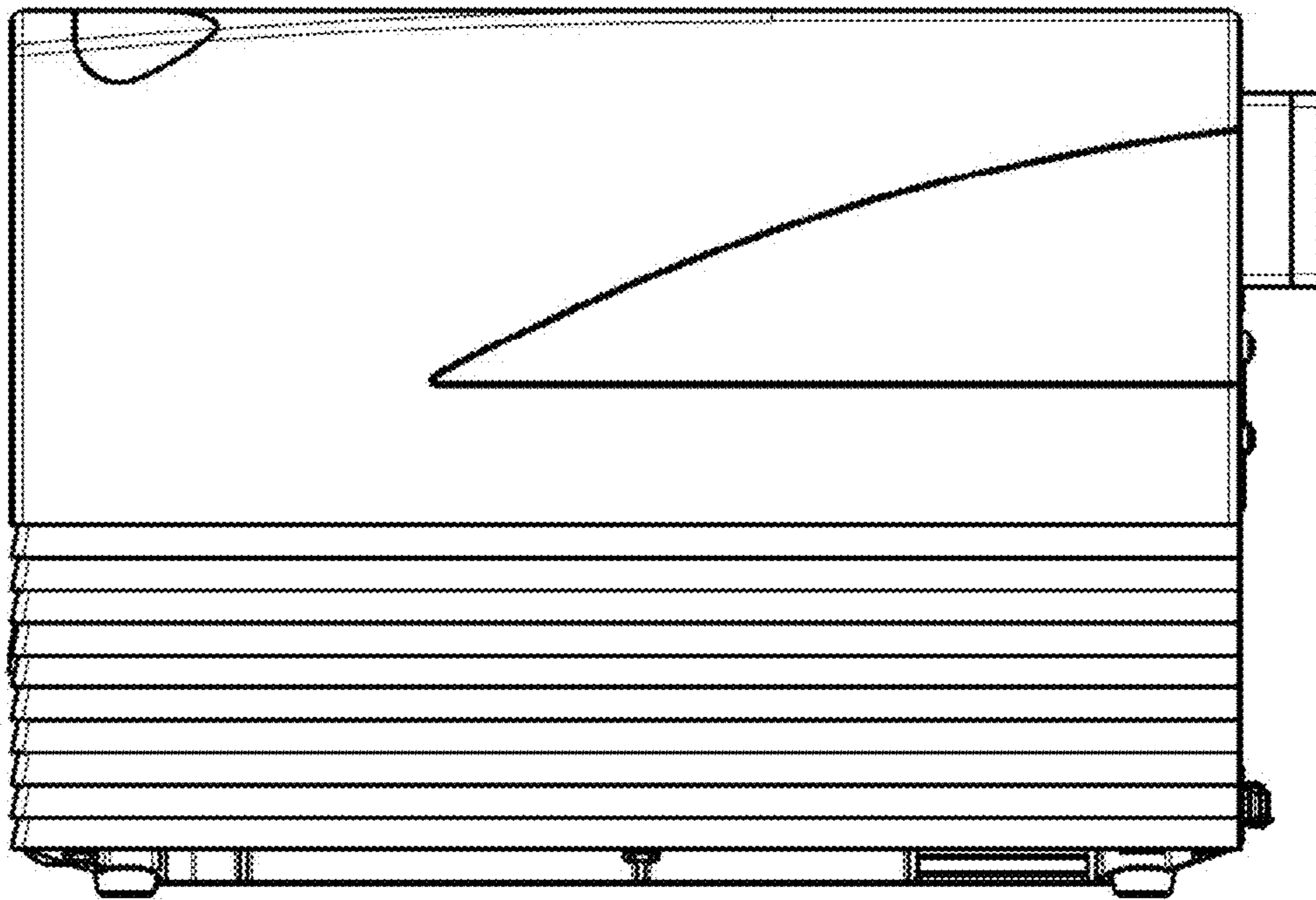


FIG. 21

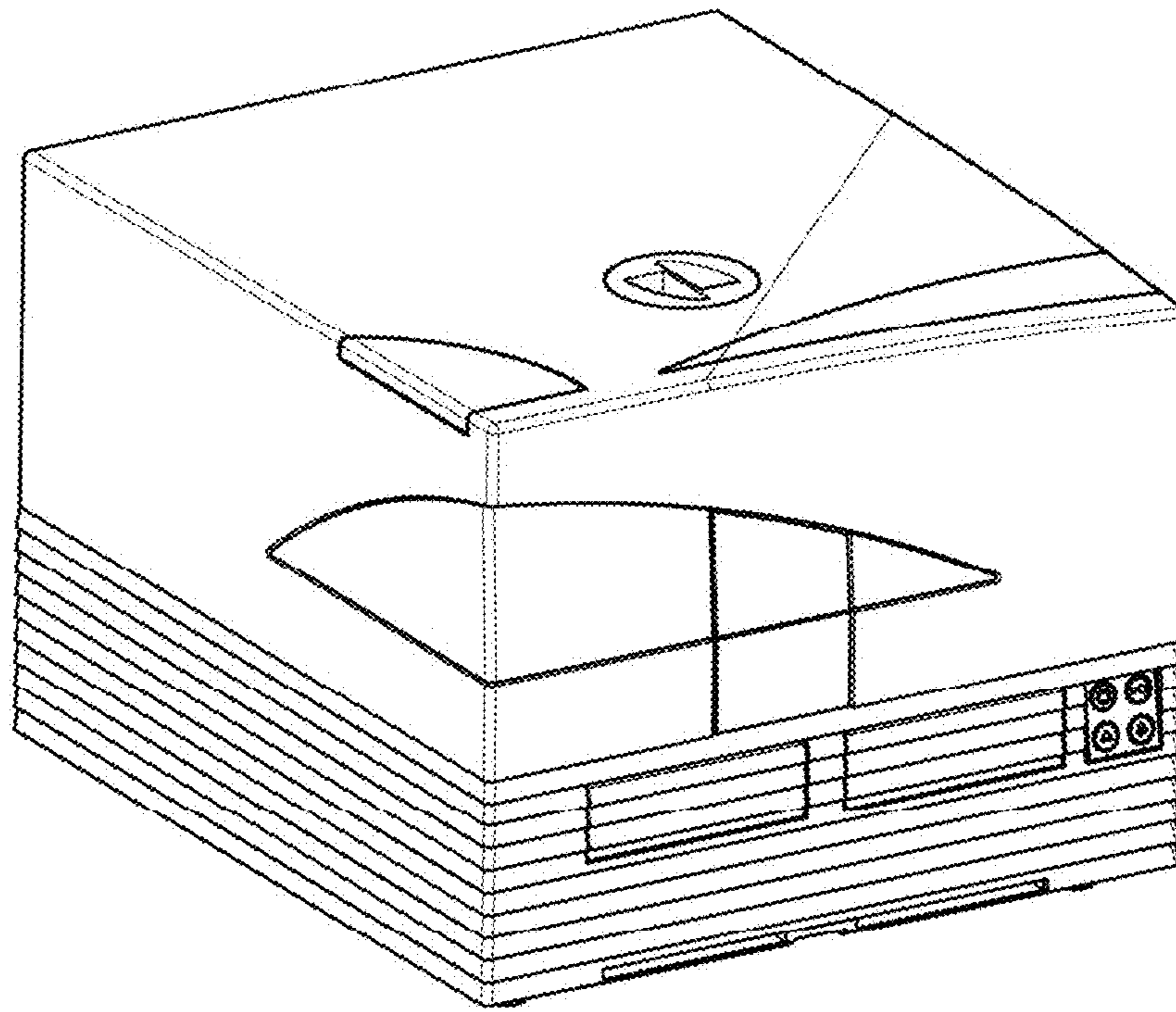


FIG. 22

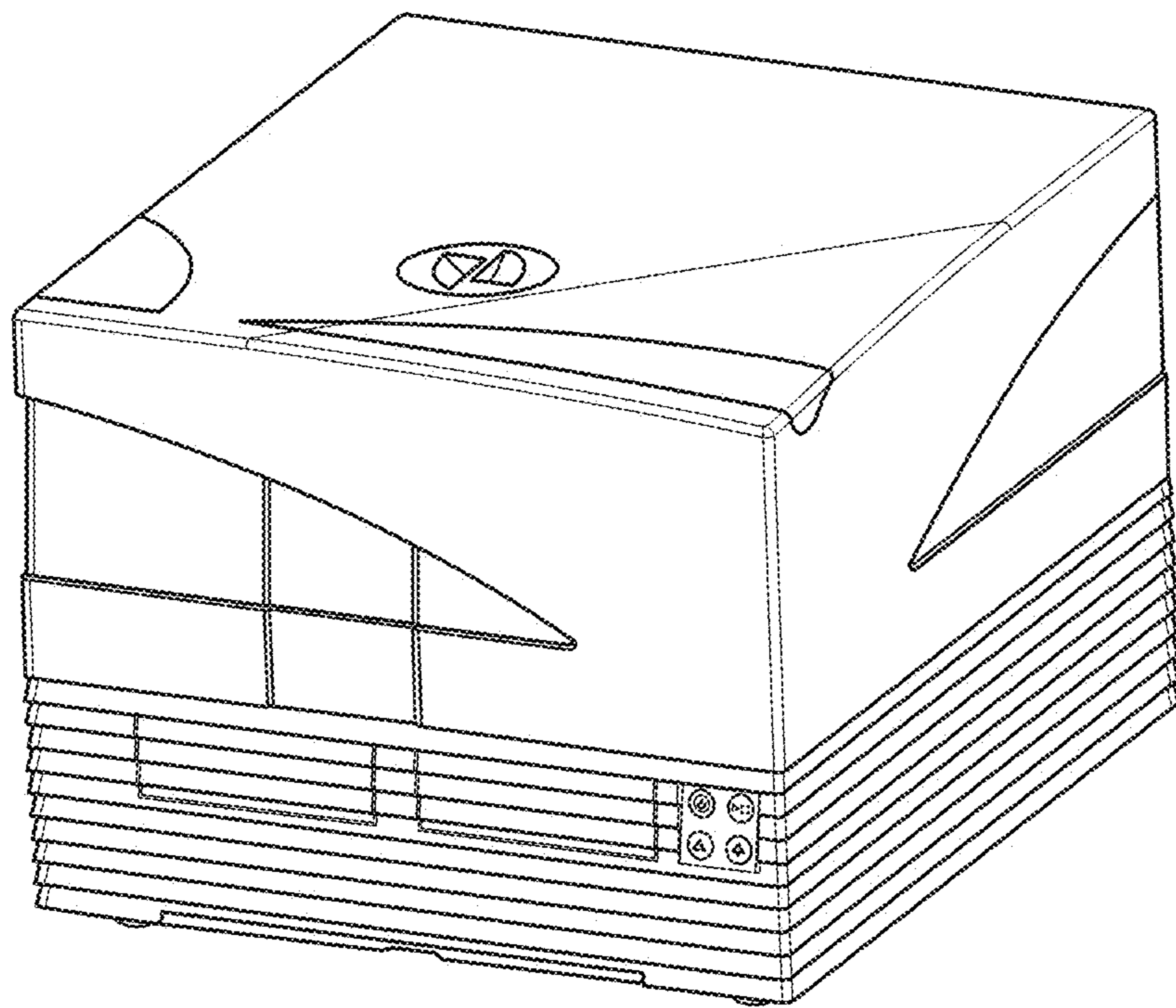


FIG. 23

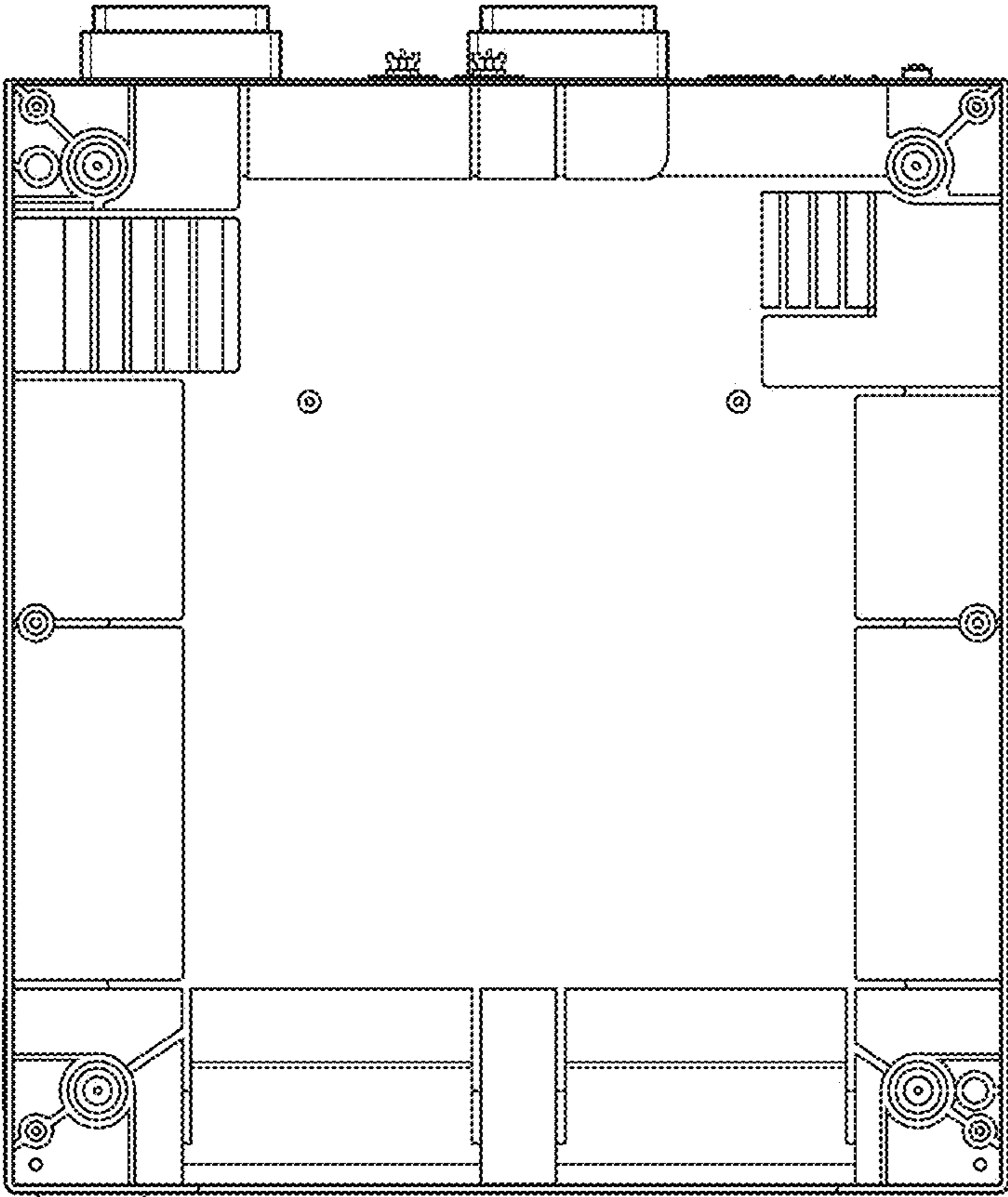


FIG. 24

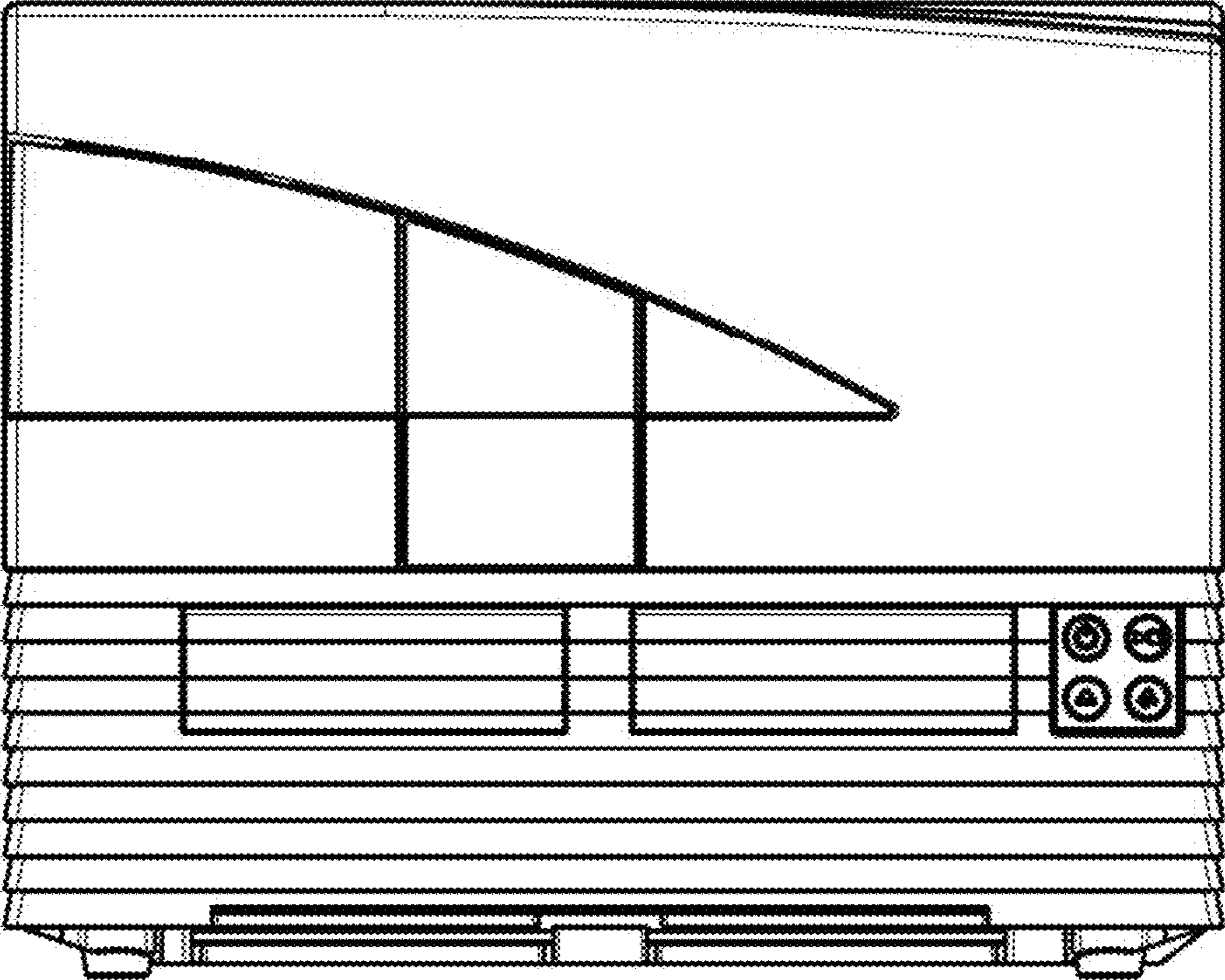


FIG. 25