



US00D759517S

(12) **United States Design Patent**
Kawai

(10) **Patent No.:** **US D759,517 S**
(45) **Date of Patent:** **** Jun. 21, 2016**

(54) **SPECTROPHOTOMETER**

(71) Applicant: **SHIMADZU CORPORATION**, Kyoto (JP)

(72) Inventor: **Jun Kawai**, Kyoto (JP)

(73) Assignee: **SHIMADZU CORPORATION**, Kyoto (JP)

(**) Term: **14 Years**

(21) Appl. No.: **29/524,449**

(22) Filed: **Apr. 20, 2015**

(30) **Foreign Application Priority Data**

Feb. 25, 2015 (JP) 2015-003840

(51) **LOC (10) Cl.** **10-04**

(52) **U.S. Cl.**
USPC **D10/75**

(58) **Field of Classification Search**
USPC D10/75; D24/216-220, 232-234
CPC G01J 3/00; G01J 3/0202; G01J 3/0205;
G01J 3/0208; G01J 3/021; G01J 3/0213;
G01J 3/0216; G01J 3/0218; G01J 3/0221;
G01J 3/0224; G01J 3/0227; G01J 3/0229;
G01J 3/0232; G01J 3/0235; G01J 3/0237;
G01J 3/024; G01J 3/0243

See application file for complete search history.

(56) **References Cited**

U.S. PATENT DOCUMENTS

D292,979	S	*	12/1987	Chow	D10/46
D310,178	S	*	8/1990	Collister	D10/46
D329,614	S	*	9/1992	Ando	D10/46
D365,291	S	*	12/1995	Chitty	D10/75
D373,315	S	*	9/1996	Ninomiya	D10/75
D600,578	S	*	9/2009	Tsuji	D10/81
8,139,220	B2	*	3/2012	Peterson	G01J 3/02 356/402
D688,959	S	*	9/2013	Arvidsson	D10/70
D699,606	S	*	2/2014	Gandhi	D10/75
9,007,595	B2	*	4/2015	Hanlon	G01N 21/0332 356/440

* cited by examiner

Primary Examiner — Antoine D Davis

(74) *Attorney, Agent, or Firm* — Jianq Chyun IP Office

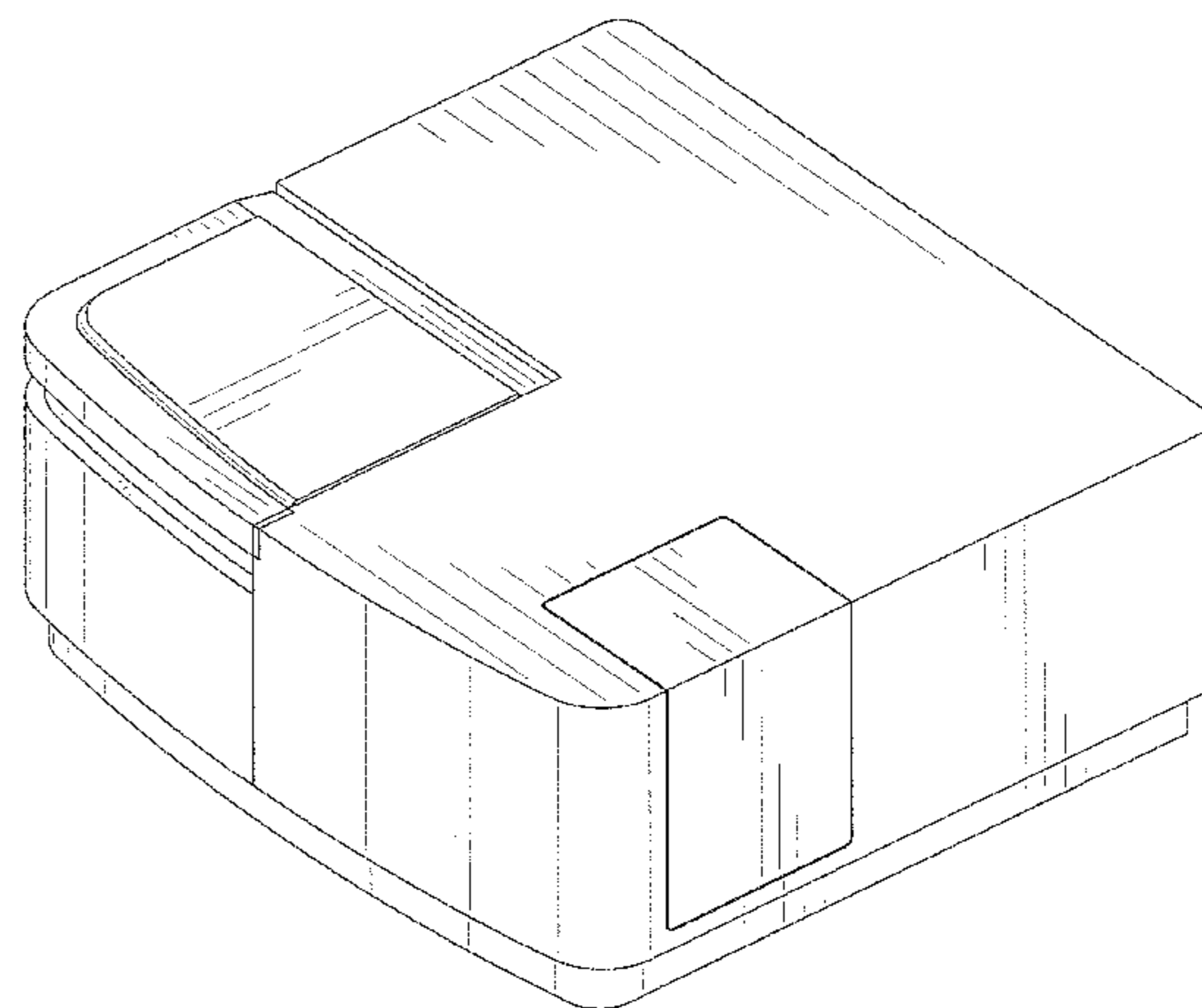
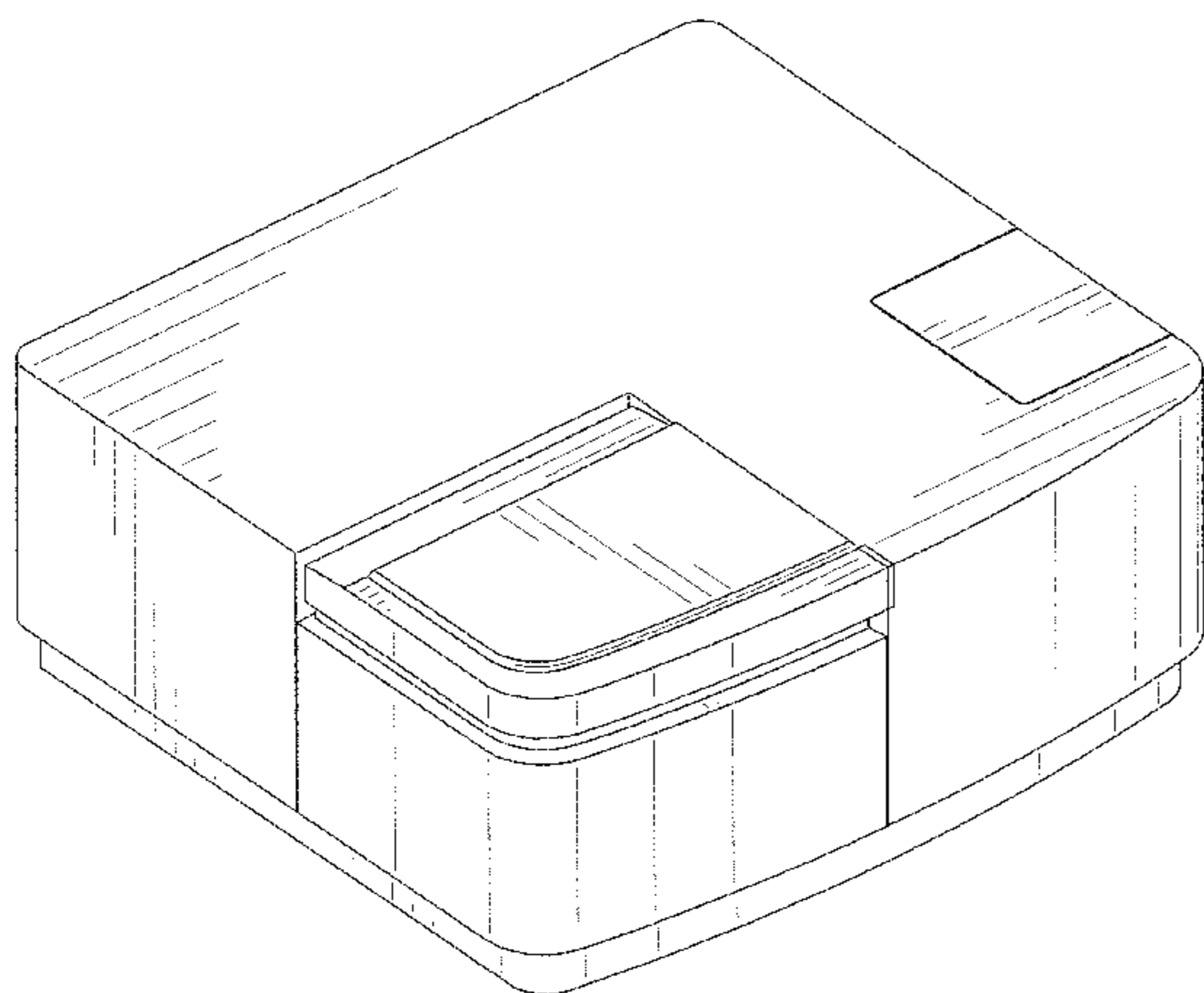
(57) **CLAIM**

The ornamental design for a spectrophotometer, as shown and described.

DESCRIPTION

FIG. 1 is a perspective view of a spectrophotometer showing my new design;
FIG. 2 is another perspective view thereof;
FIG. 3 is a front view thereof;
FIG. 4 is a rear view thereof;
FIG. 5 is a left side view thereof;
FIG. 6 is a right side view thereof;
FIG. 7 is a top view thereof; and,
FIG. 8 is a bottom view thereof.

1 Claim, 6 Drawing Sheets



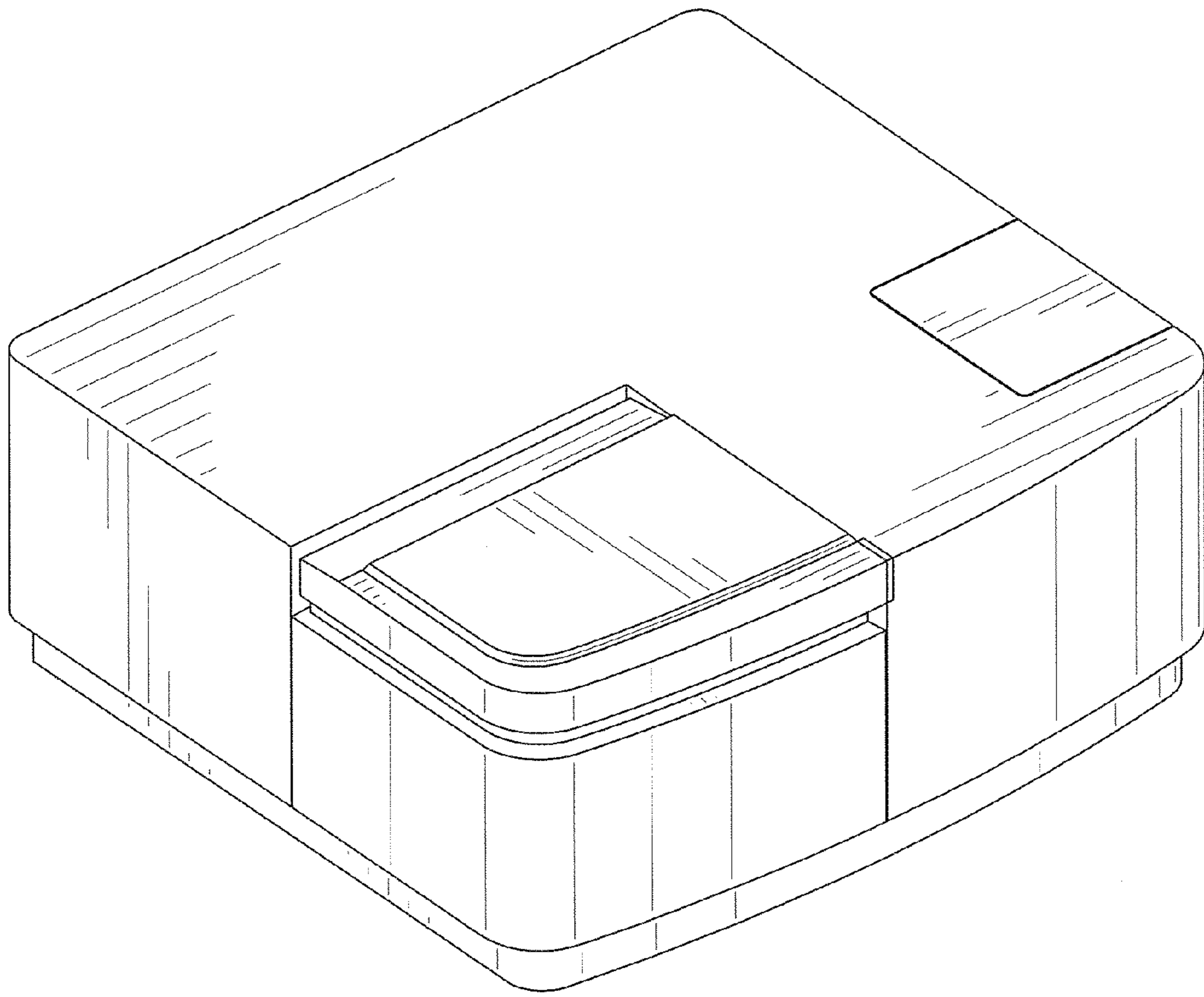


FIG. 1

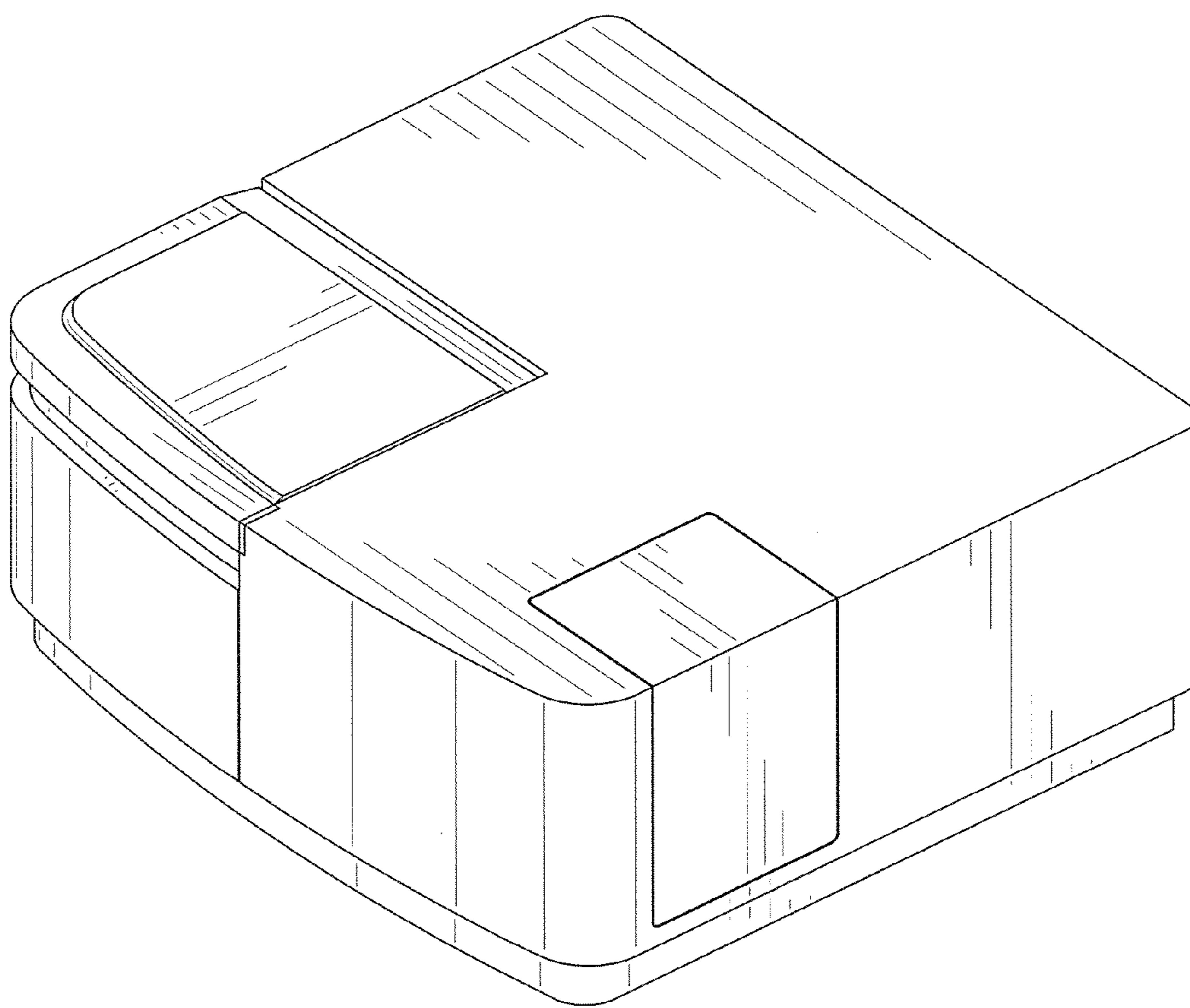


FIG. 2

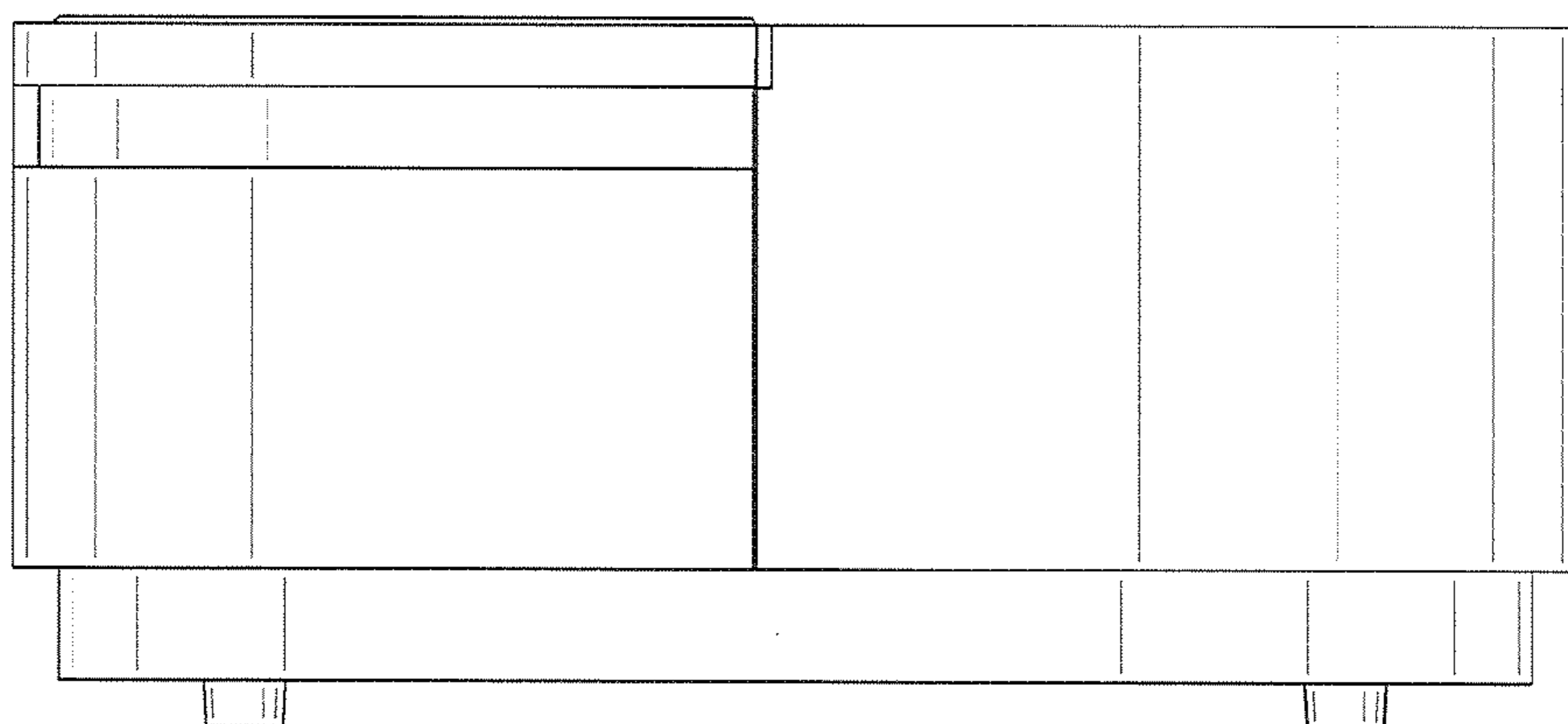


FIG. 3

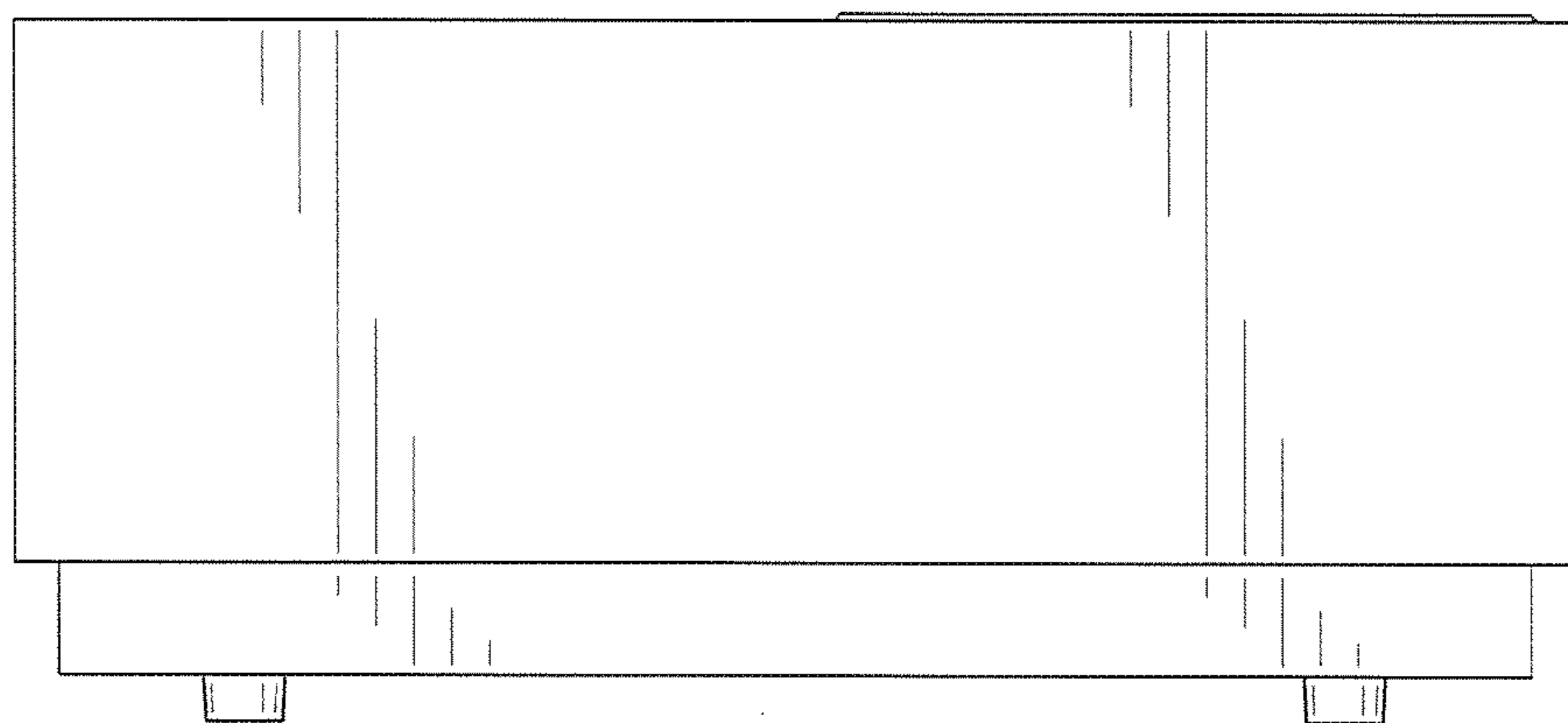


FIG. 4

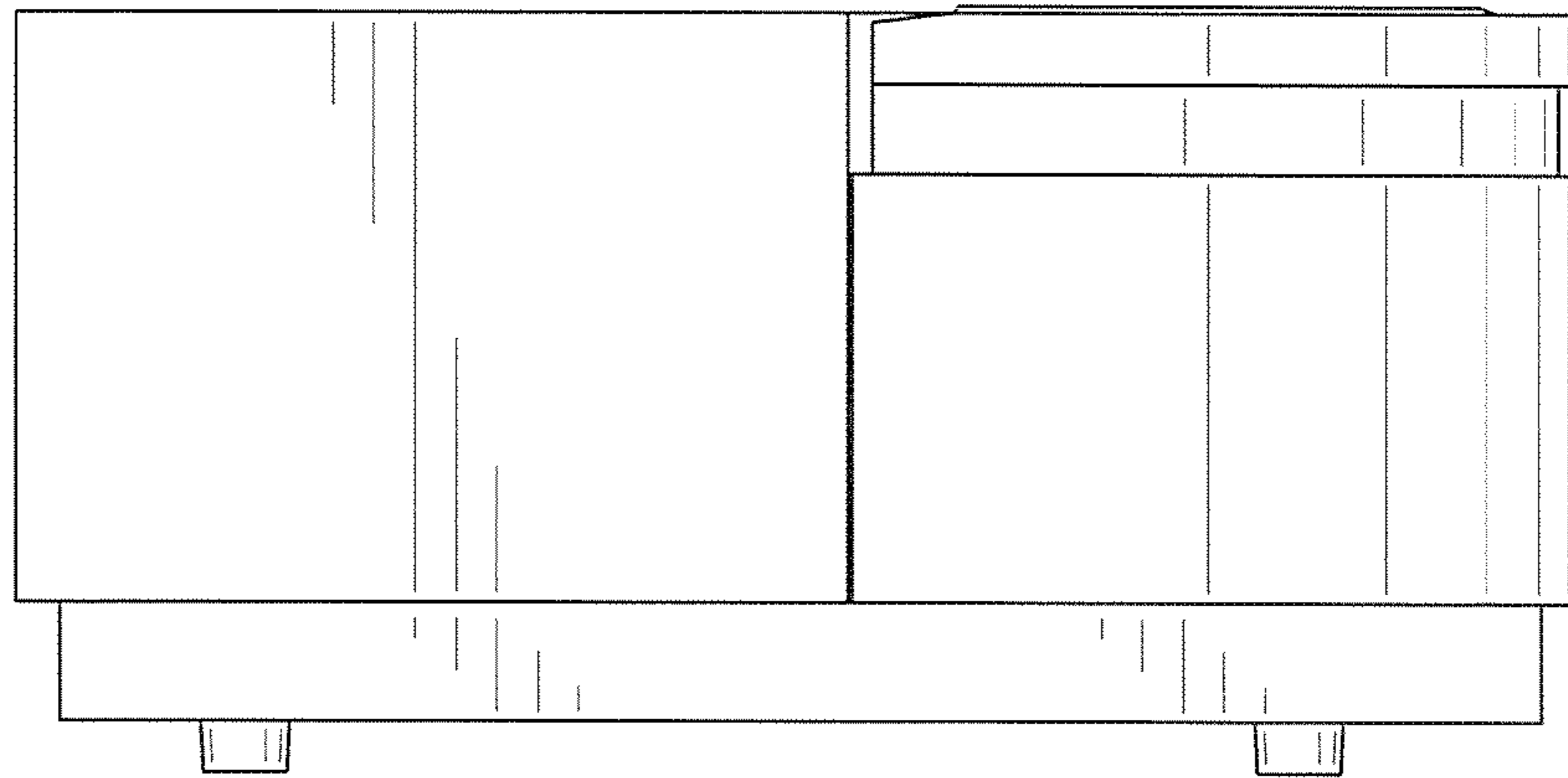


FIG. 5

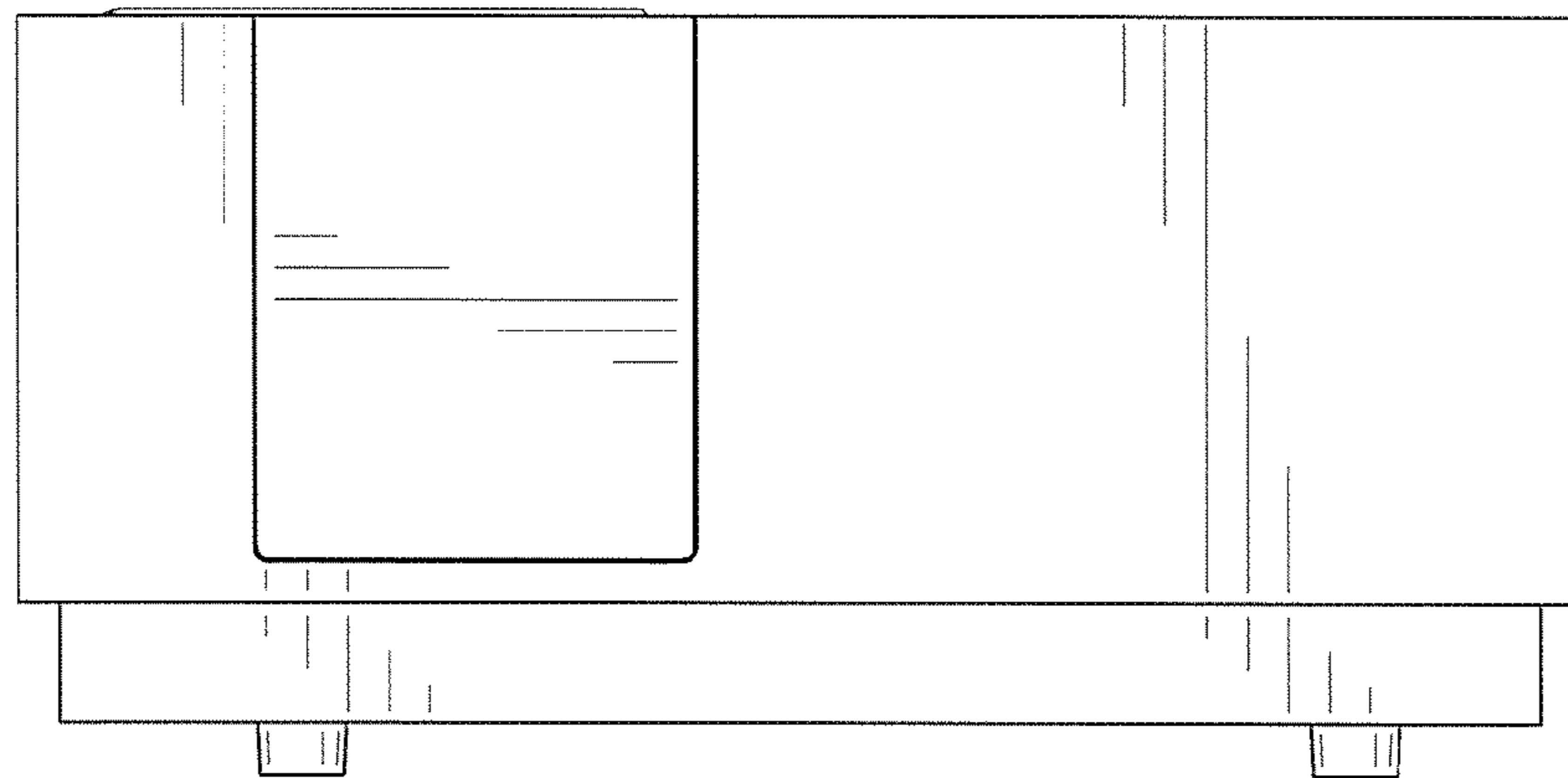


FIG. 6

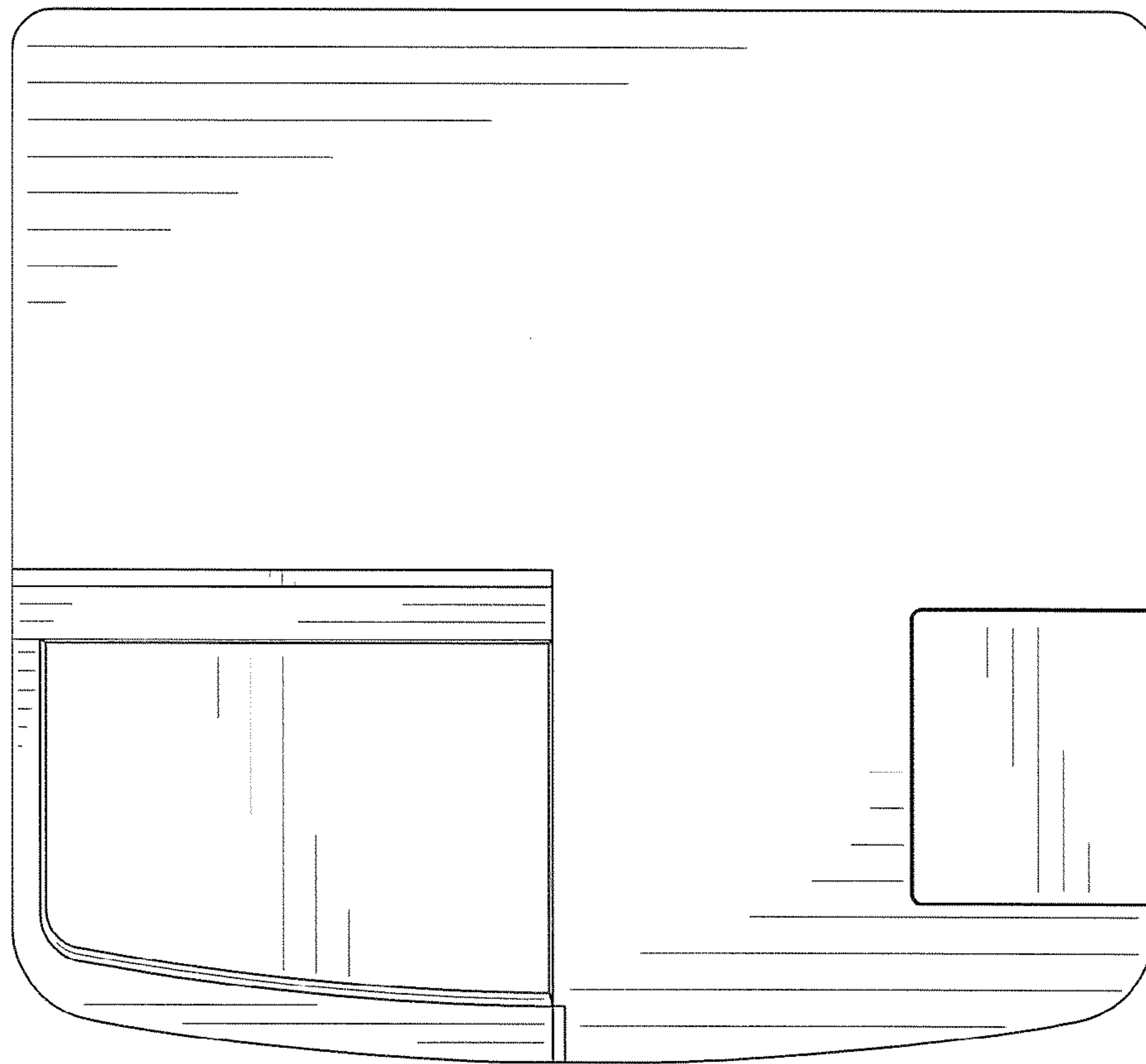


FIG. 7

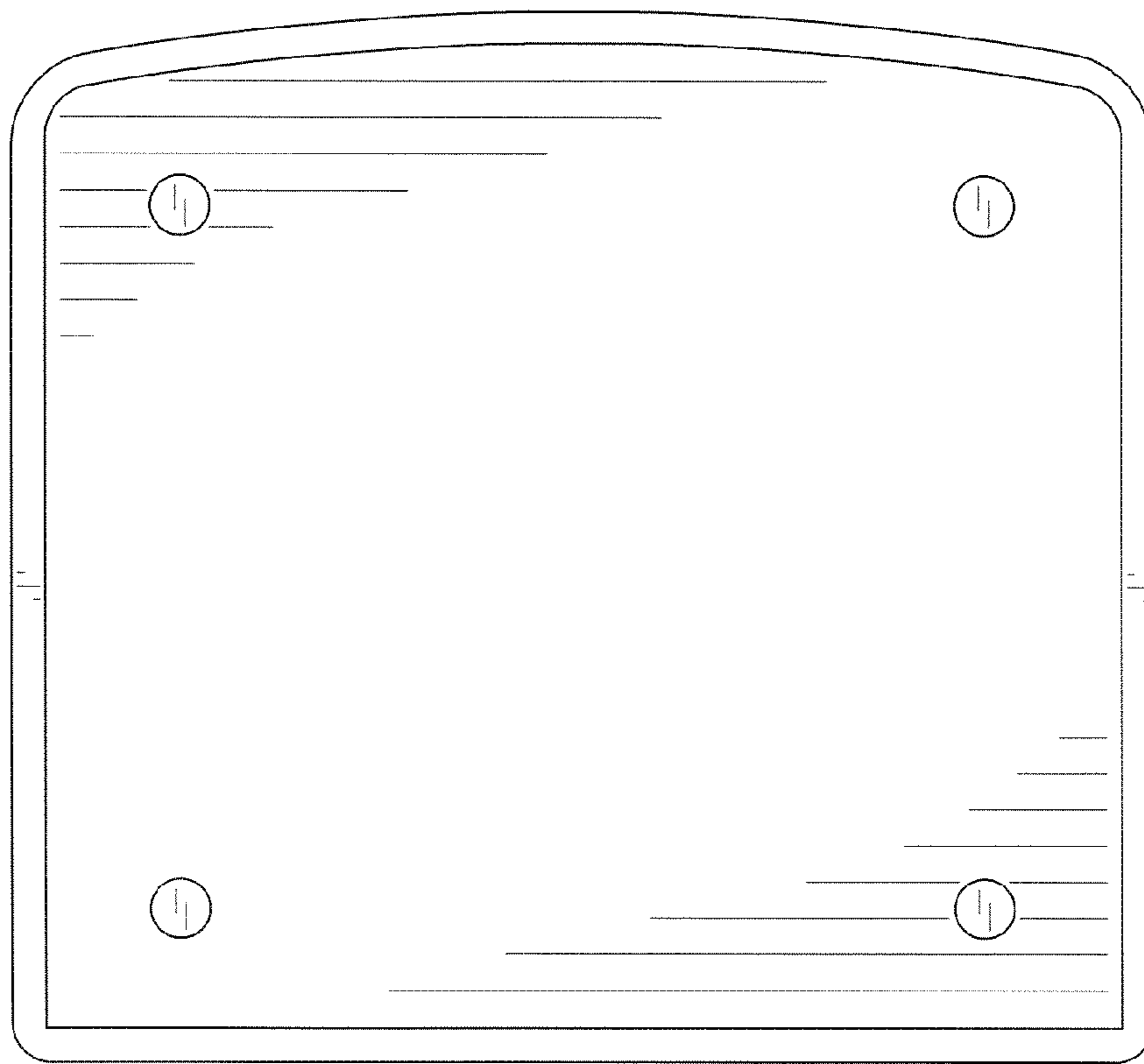


FIG. 8