



US00D759515S

(12) **United States Design Patent**
Arenas et al.

(10) **Patent No.:** **US D759,515 S**
(45) **Date of Patent:** **** Jun. 21, 2016**

(54) **DOSING CUP**
(71) Applicant: **Whirlpool S.A.**, São Paulo (BR)
(72) Inventors: **Luiz Fernando Arenas**, Rio Claro (BR);
Diogo Matos Rodrigues, Belo Horizonte (BR)
(73) Assignee: **Whirlpool S.A.**, Sao Paulo (BR)
(**) Term: **14 Years**
(21) Appl. No.: **29/488,183**
(22) Filed: **Apr. 16, 2014**

(30) **Foreign Application Priority Data**
Oct. 18, 2013 (BR) 30 2013 005375 0

(51) **LOC (10) Cl.** **10-04**
(52) **U.S. Cl.**
USPC **D10/46.2**

(58) **Field of Classification Search**
USPC D10/46.2, 46, 46.3, 52, 60, 66, 103,
D10/101; D7/589, 300, 665, 387, 397, 302,
D7/303, 316, 510, 312, 317; D9/439, 440,
D9/447, 452-454; D24/197, 224, 120,
D24/231, 232; D8/300; D32/28, 29.1, 1, 25;
D23/207-209; 220/665; 222/566, 562,
222/158, 205; 141/381; 73/426-429;
422/908, 910, 912, 527, 556, 547;
215/17, 277, 214, 18, 25, 45; 8/158
CPC D06F 39/02; A61J 7/00; G01F 19/002;
G01F 19/00; A47G 19/00; B65D 41/16;
B65D 41/58; B65D 47/06; B65D 47/068
See application file for complete search history.

(56) **References Cited**
U.S. PATENT DOCUMENTS
5,228,596 A * 7/1993 McNally B65D 23/06
222/109
5,355,541 A * 10/1994 Rutter D06F 39/024
206/0.5
D399,141 S * 10/1998 Huang D10/103

D406,536 S * 3/1999 Huang D10/103
6,353,954 B1 * 3/2002 Dunsbergen D06F 39/022
68/17 R
D504,074 S * 4/2005 Tsujimura D10/46
D504,334 S * 4/2005 Tsujimura D10/46
D509,451 S * 9/2005 Tsujimura D10/46
8,025,183 B2 * 9/2011 Szekely B65D 47/123
220/288
8,613,563 B2 * 12/2013 Chawla A46B 9/028
401/123
8,651,304 B2 * 2/2014 Skillin B65D 41/26
141/381
2006/0175349 A1 * 8/2006 Drosos B65D 25/40
222/109
2007/0194047 A1 * 8/2007 Tauber B65D 47/122
222/109
2007/0295753 A1 * 12/2007 Vangeel A47K 5/1207
222/163
2009/0045224 A1 * 2/2009 Faaborg B65D 41/0471
222/111
2010/0108635 A1 * 5/2010 Horstman B65D 23/06
215/387

(Continued)

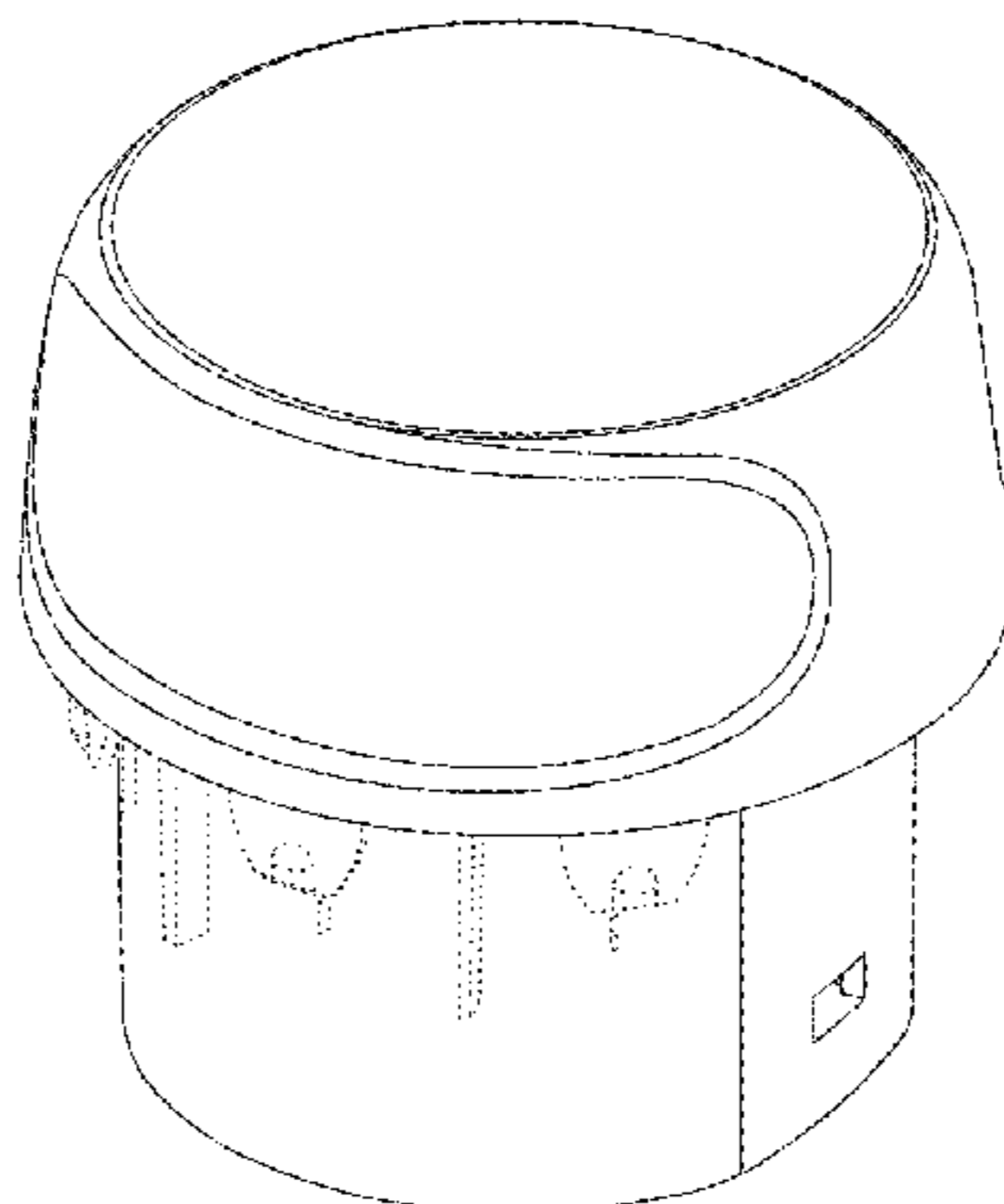
Primary Examiner — Eric Goodman
Assistant Examiner — Clese Moore, Jr.
(74) *Attorney, Agent, or Firm* — Brian J. Colandreo, Esq.;
Jeffrey T. Placker, Esq.; Holland & Knight LLP

(57) **CLAIM**
The ornamental design for a dosing cup, as shown and described.

DESCRIPTION

FIG. 1 is a perspective view of the new design applied for the dosing cup in accordance to the present industrial design.
FIG. 2 is a side view thereof;
FIG. 3 is a front view thereof, which is equivalent to the rear image thereof;
FIG. 4 is another side view thereof;
FIG. 5 is a top view thereof; and,
FIG. 6 is a bottom view thereof.
The broken lines are included for the purpose of illustrating portions of the dosing cup that form no part of the claimed design.

1 Claim, 3 Drawing Sheets



US D759,515 S

Page 2

(56)

References Cited

U.S. PATENT DOCUMENTS

2011/0179585 A1*	7/2011	Chawla	B65D 47/42 8/137
2014/0138380 A1*	5/2014	Fox	B65D 50/046 220/214
2011/0056965 A1*	3/2011	Peer	B65D 75/5883 220/661

* cited by examiner

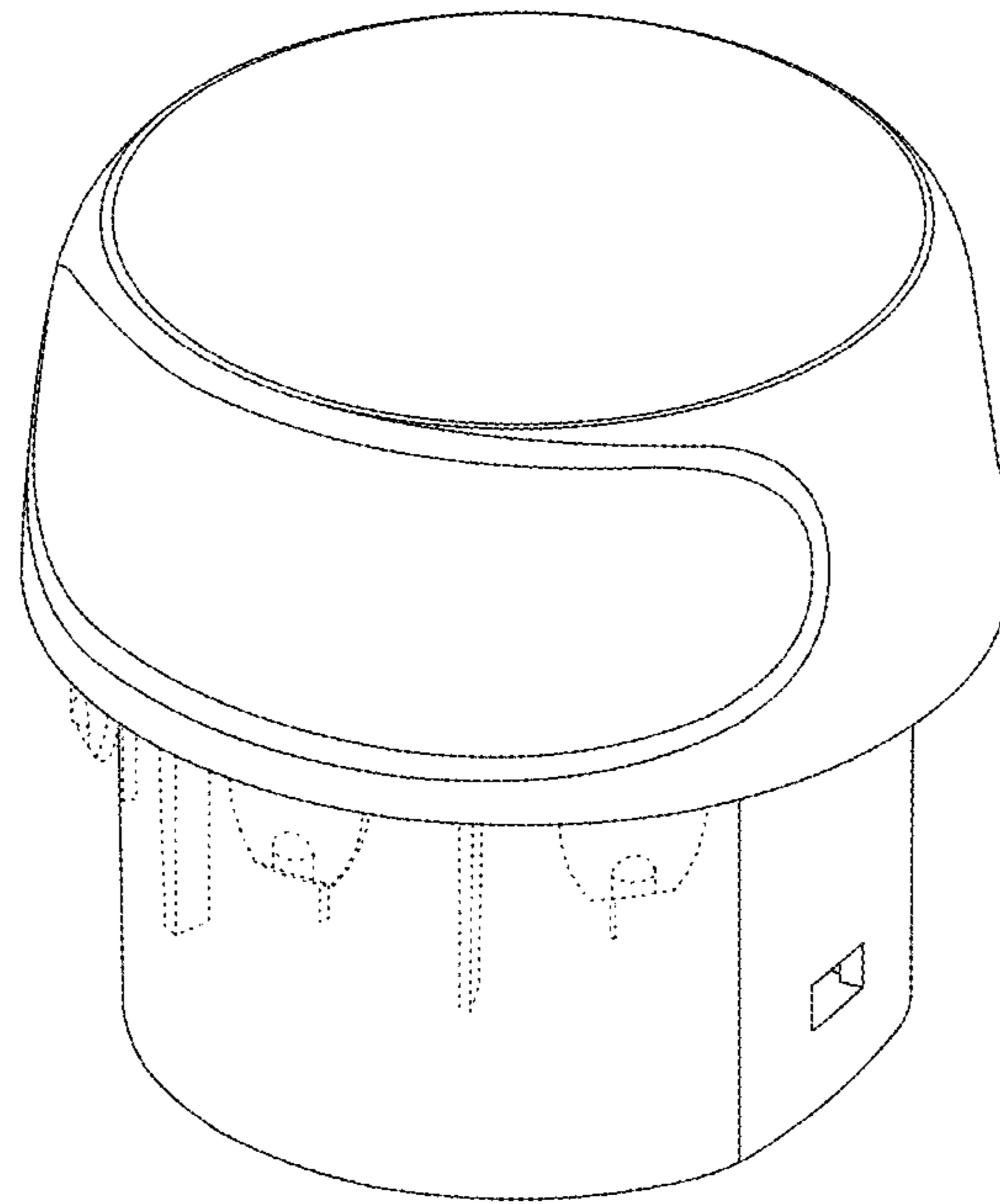


FIG. 1

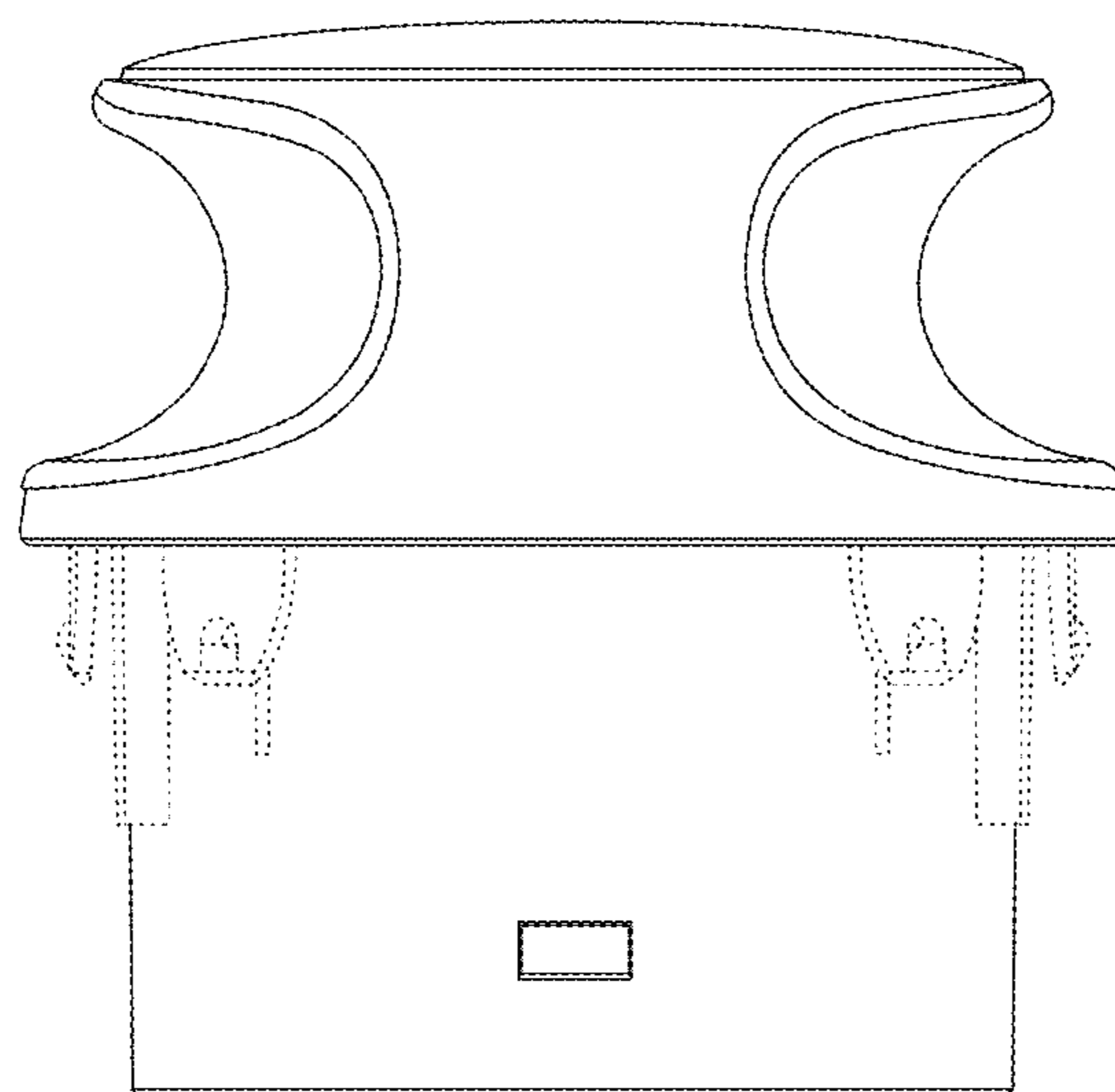


FIG. 2

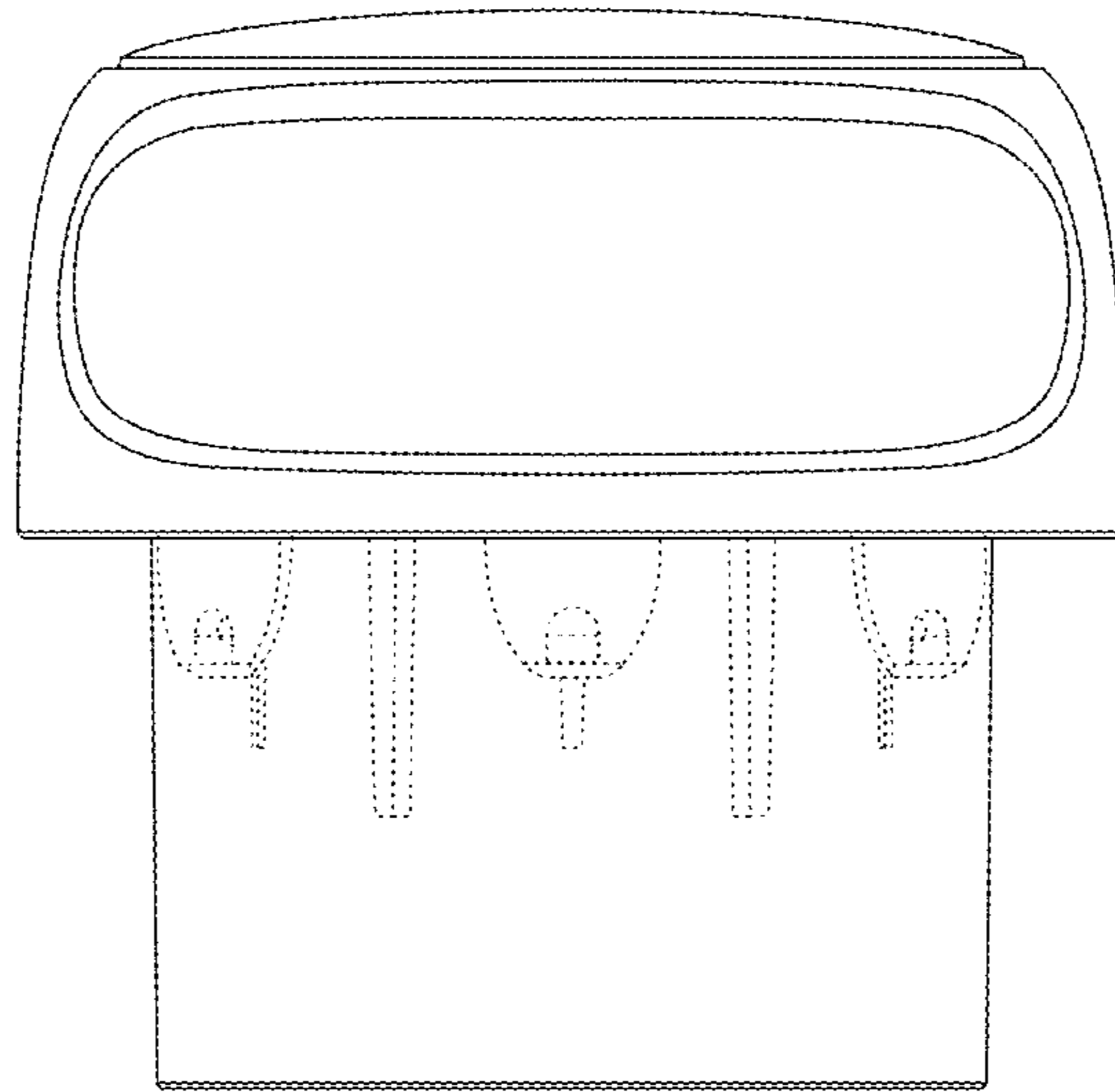


FIG. 3

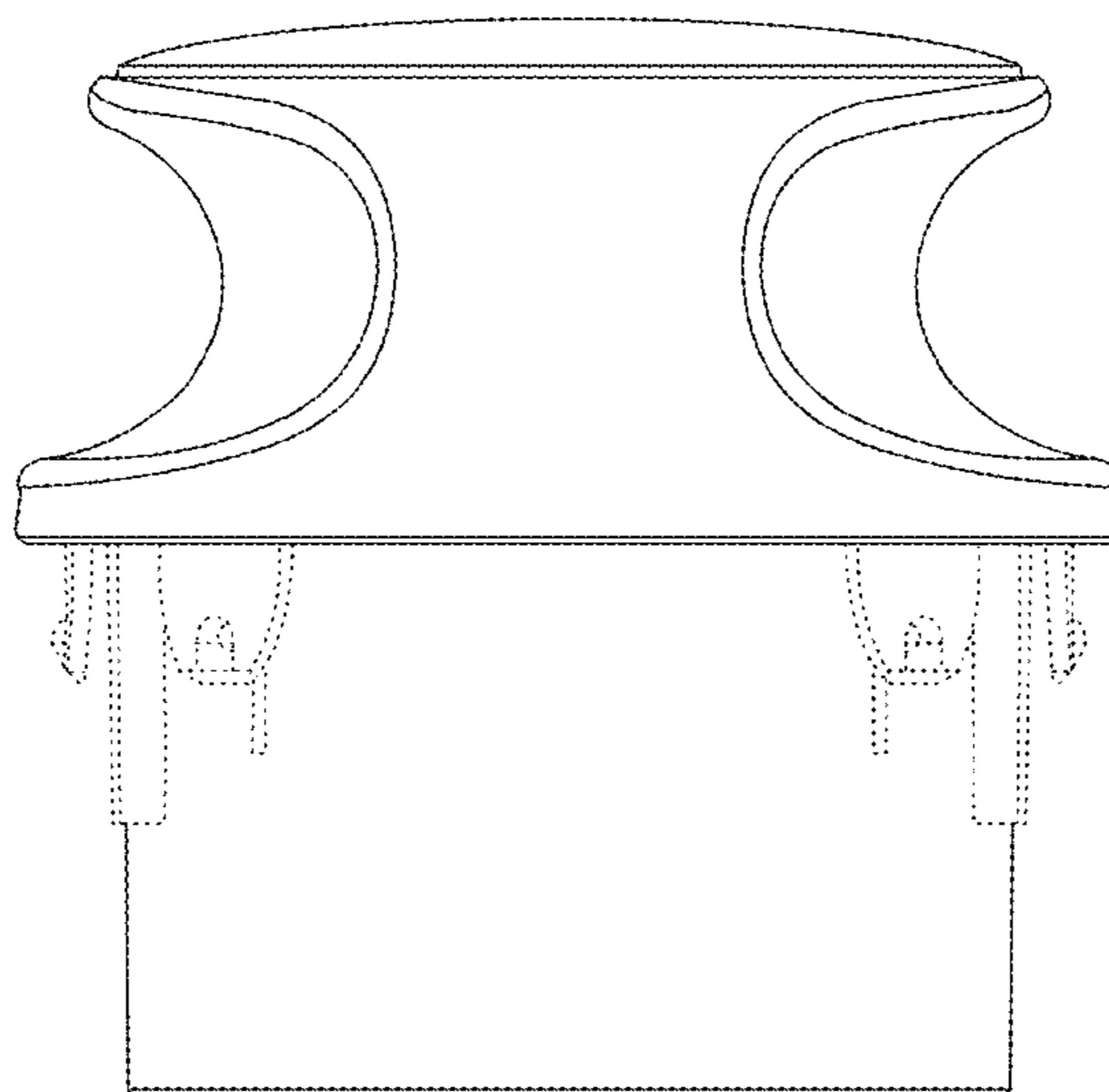


FIG. 4

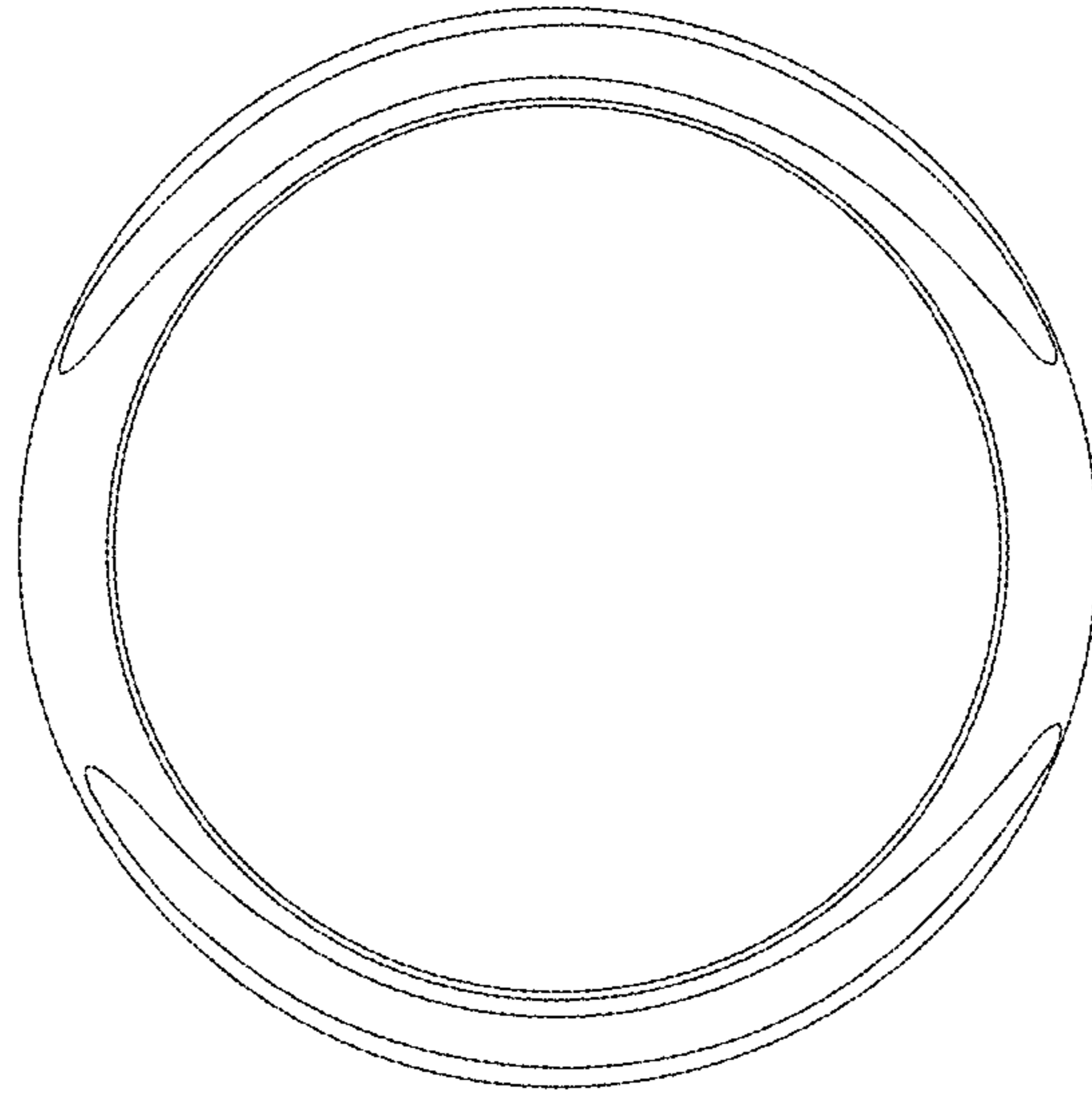


FIG. 5

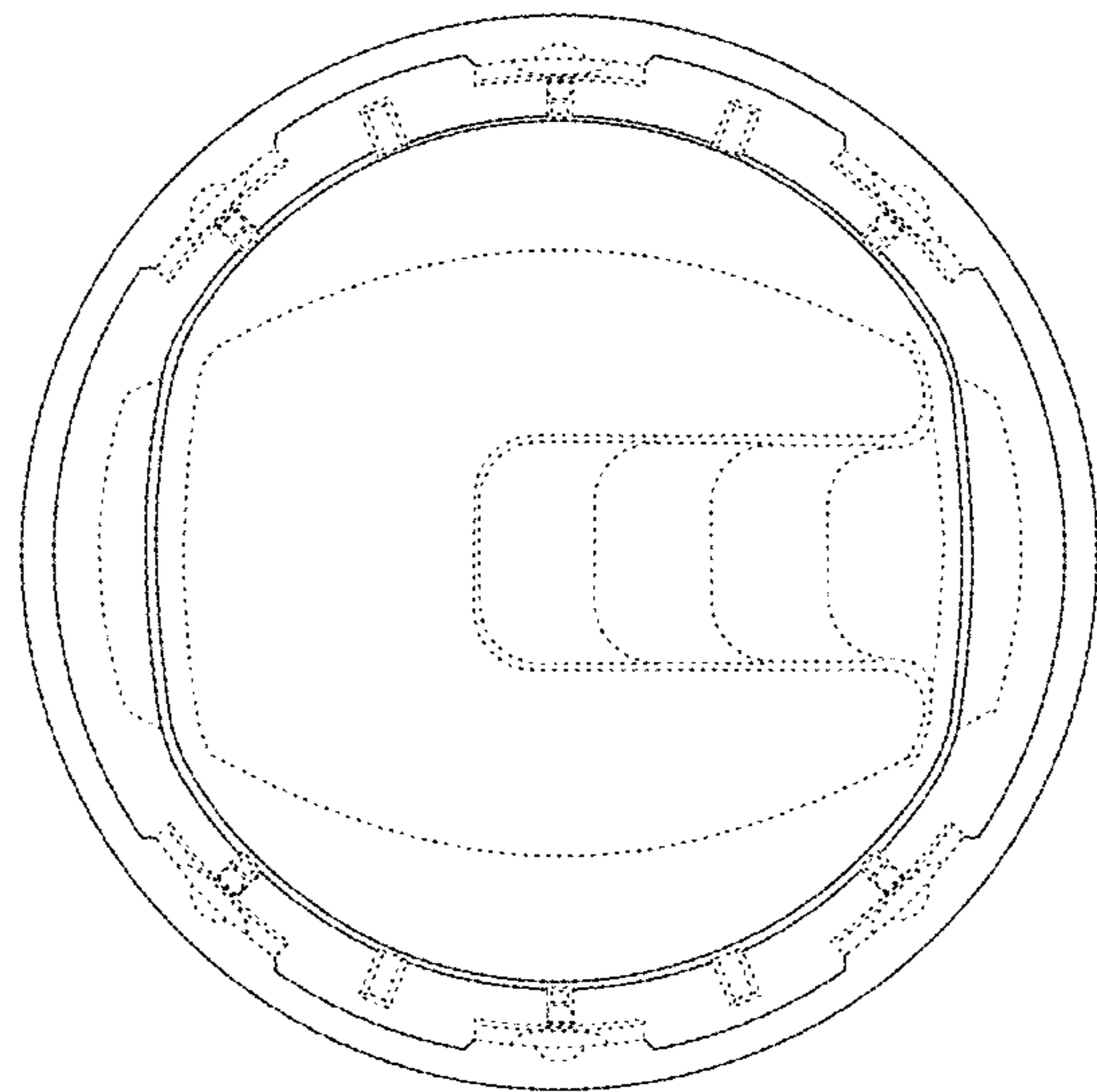


FIG. 6