



US00D759512S

(12) **United States Design Patent**
Belamich

(10) **Patent No.:** **US D759,512 S**
(45) **Date of Patent:** **** Jun. 21, 2016**

(54) **WATCH**

- (71) Applicant: **Bell & Ross B.V.**, Zoertermeer (NL)
- (72) Inventor: **Bruno Belamich**, Paris (FR)
- (73) Assignee: **BELL & ROSS B.V.**, Zoertermeer (NL)
- (**) Term: **15 Years**
- (21) Appl. No.: **29/546,658**
- (22) Filed: **Nov. 24, 2015**

Related U.S. Application Data

- (62) Division of application No. 29/458,924, filed on Jun. 24, 2013, now Pat. No. Des. 748,999.

(30) **Foreign Application Priority Data**

- Apr. 17, 2013 (EM) 001367965-001
- Apr. 17, 2013 (EM) 001367965-002
- Apr. 17, 2013 (EM) 001367965-003
- Apr. 17, 2013 (EM) 001367965-004
- Apr. 17, 2013 (EM) 001367965-005
- Apr. 17, 2013 (EM) 001367965-006
- Apr. 17, 2013 (EM) 001367965-007
- Apr. 17, 2013 (EM) 001367965-008

(51) **LOC (10) Cl.** **10-02**

(52) **U.S. Cl.**
USPC **D10/39; D10/126; D10/132**

(58) **Field of Classification Search**
USPC D10/30-39, 1-29, 122-132
CPC G04B 19/00; G04B 19/06; G04B 19/065;
G04B 19/08; G04B 19/10; G04B 19/16;
G04B 19/18; G04B 19/25366; G04B 33/00;
G04B 33/02; G04B 37/00; G04B 37/0008;
G04B 37/0025; G04F 7/00; G04F 7/08;
G04G 17/00; G04G 17/08

See application file for complete search history.

(56) **References Cited**

U.S. PATENT DOCUMENTS

- 490,123 A * 1/1893 Nicolet G04F 7/08
368/104
- D51,225 S * 9/1917 Dean 224/170
- 2,044,808 A * 6/1936 Povelsen G04B 19/25366
368/28
- D136,341 S * 9/1943 Dupin D10/38
- D157,607 S * 3/1950 Lachman D10/38
- D181,013 S * 9/1957 Mamie D10/38
- 2,852,908 A 9/1958 Stern et al.
- D301,983 S 7/1989 Benoit-Pequignet et al.
- D348,847 S * 7/1994 Dumas D10/125
- D397,042 S * 8/1998 Riley D10/30
- D453,690 S * 2/2002 D'Origny D10/39
- 6,464,390 B1 * 10/2002 Baroche G04G 17/08
368/1
- D465,739 S 11/2002 Arabov
- 6,567,345 B1 * 5/2003 Furukawa G04B 33/02
368/110
- D489,018 S * 4/2004 Grotell D10/126
- D517,432 S 3/2006 Laucella
- D518,387 S * 4/2006 Roden D10/31
- D536,628 S 2/2007 Roth

(Continued)

Primary Examiner — Martie K Holtje

(74) *Attorney, Agent, or Firm* — Volpe and Koenig, P.C.

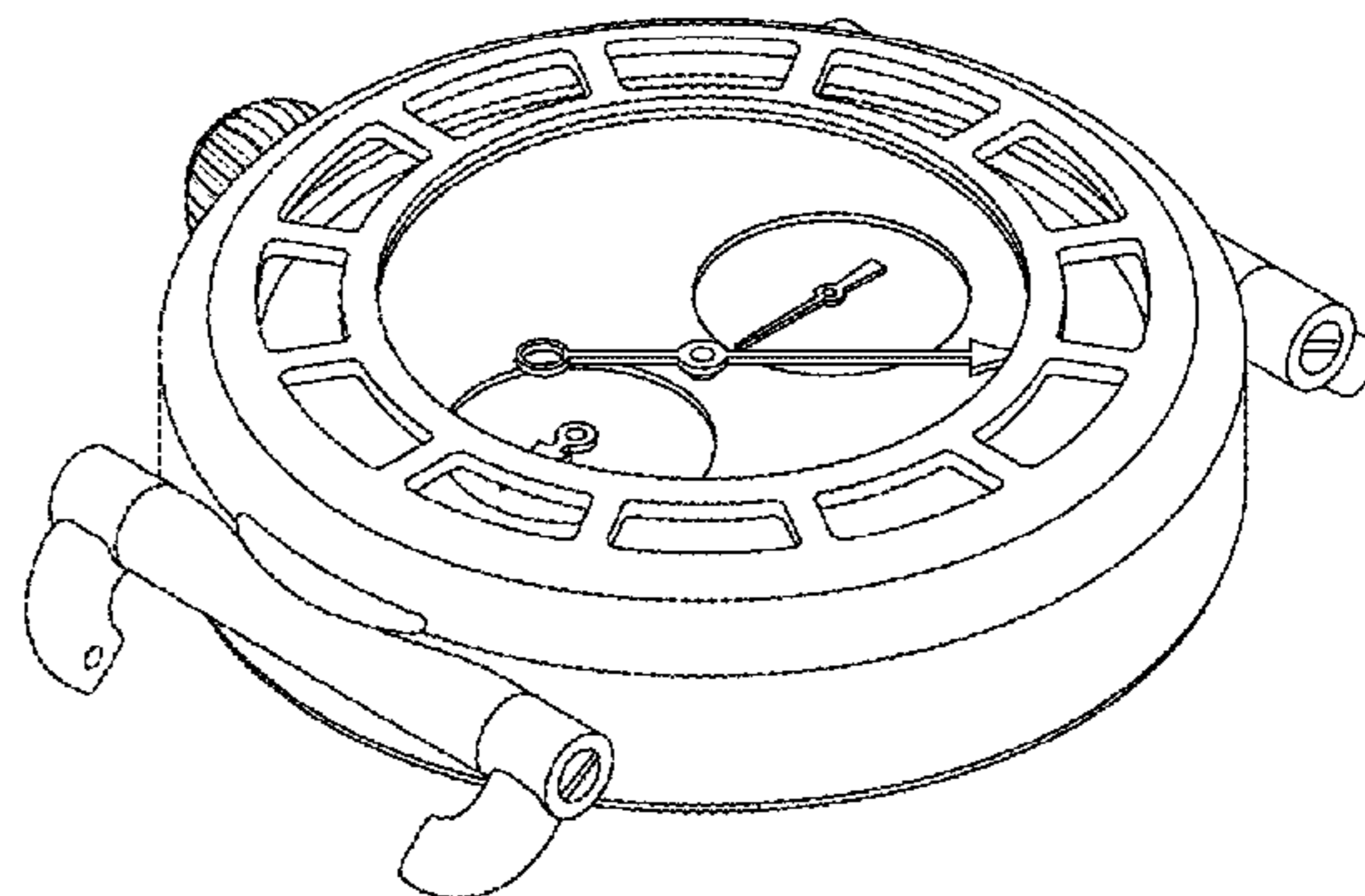
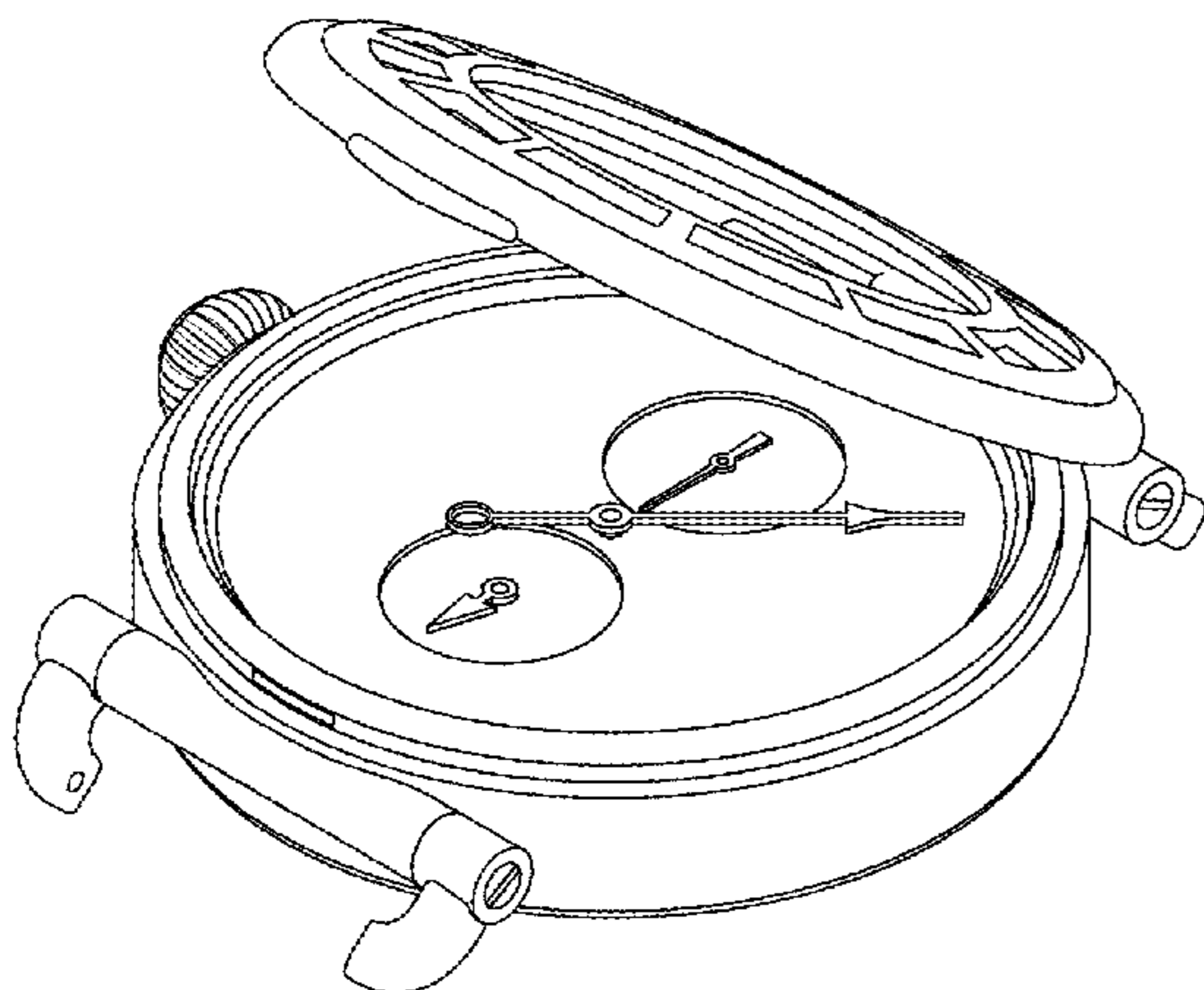
(57) **CLAIM**

The ornamental design for a watch, as shown and described.

DESCRIPTION

FIG. 1 is a right side view of the watch of my design;
 FIG. 2 is a front view thereof;
 FIG. 3 is a rear view thereof;
 FIG. 4 is a left side view thereof;
 FIG. 5 is a top plan view thereof;
 FIG. 6 is a top perspective view thereof shown in an open configuration;
 FIG. 7 is a top perspective view thereof shown in a closed configuration; and,
 FIG. 8 is a bottom view thereof.

1 Claim, 3 Drawing Sheets



(56)

References Cited

U.S. PATENT DOCUMENTS

D537,371 S 2/2007 Belamich
D559,131 S * 1/2008 Laucella D10/39
D578,412 S 10/2008 Belamich
D580,278 S * 11/2008 Hegi D10/32
D588,025 S 3/2009 Belamich
D594,352 S 6/2009 Belamich

D640,143 S * 6/2011 Virgili D10/32
D648,230 S * 11/2011 Inoue D10/39
D668,169 S * 10/2012 Inoue D10/124
D676,338 S * 2/2013 Jacquerye D10/39
D730,751 S * 6/2015 Belamich D10/126
2011/0069590 A1 * 3/2011 Jolidon G04B 19/16
368/15
2013/0163390 A1 * 6/2013 Gossweiler, III . H04M 1/72552
368/14

* cited by examiner

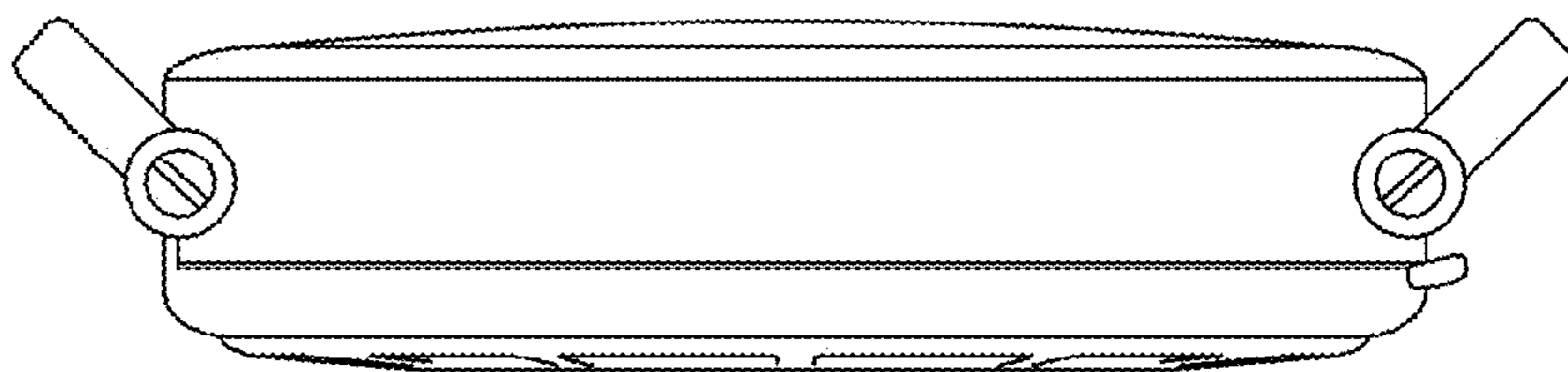


FIG. 4

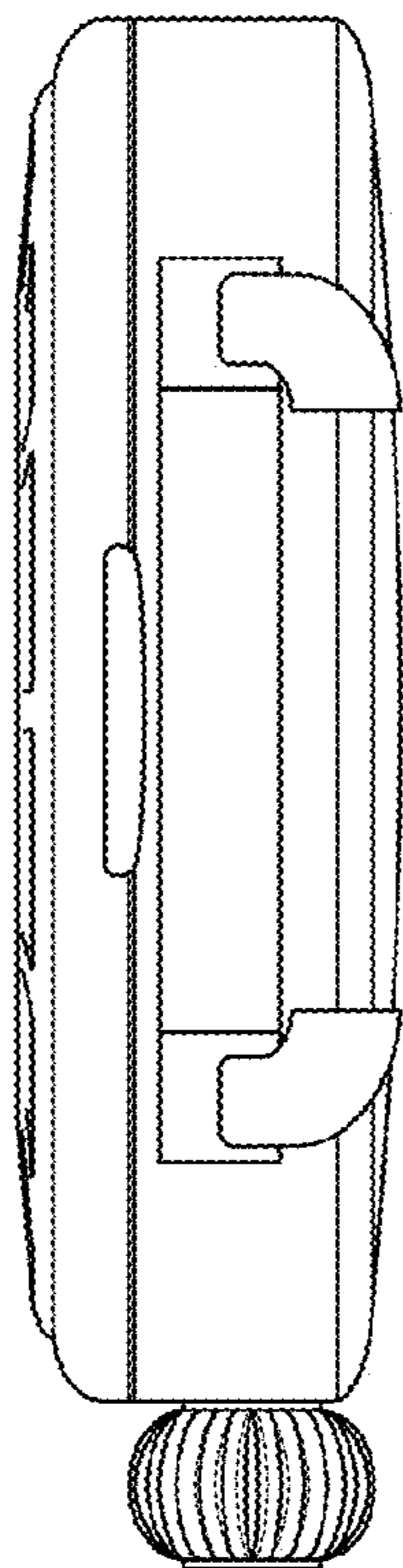


FIG. 2

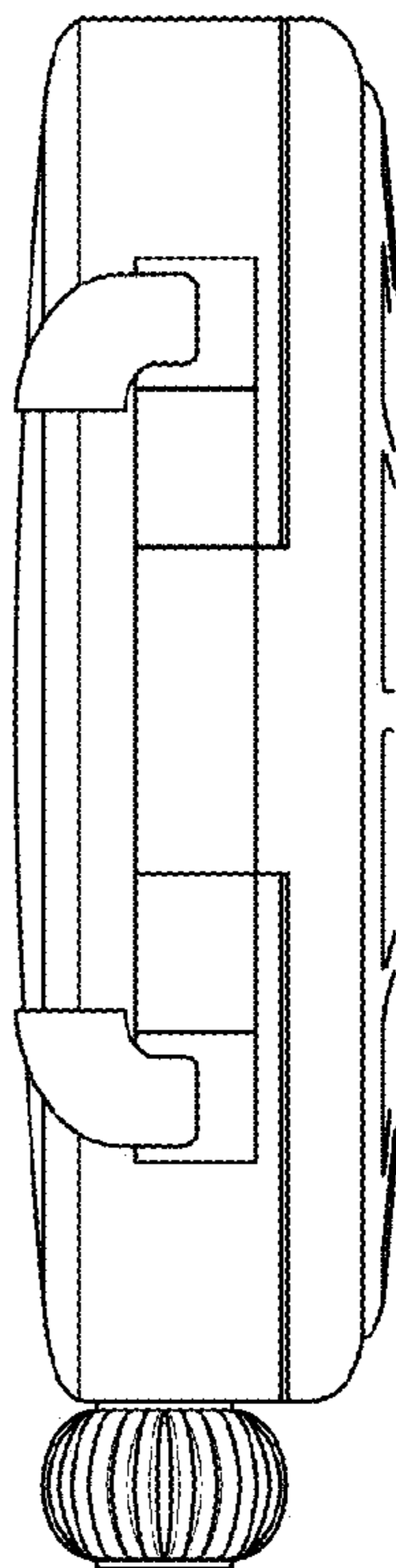


FIG. 3

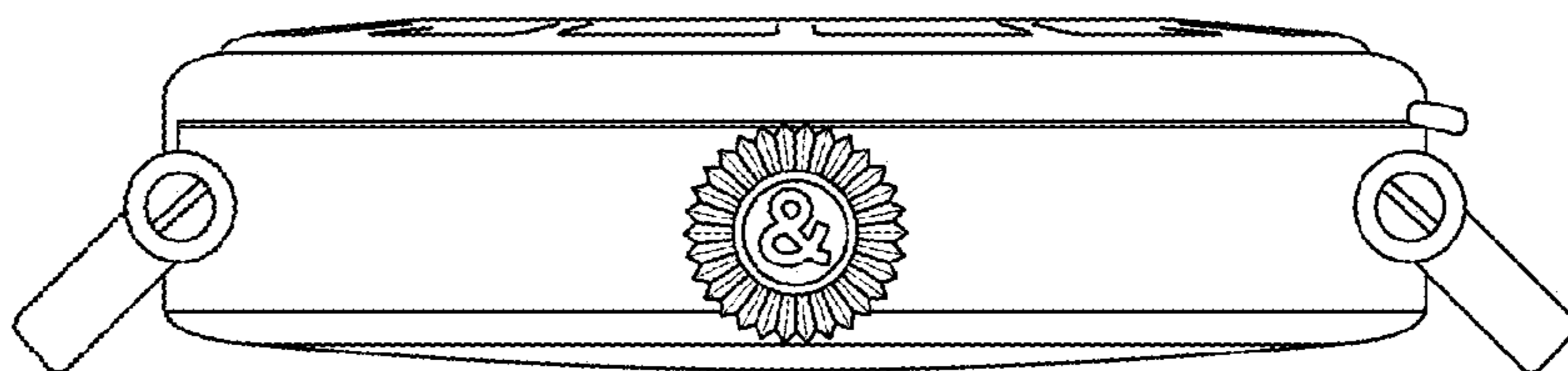


FIG. 1

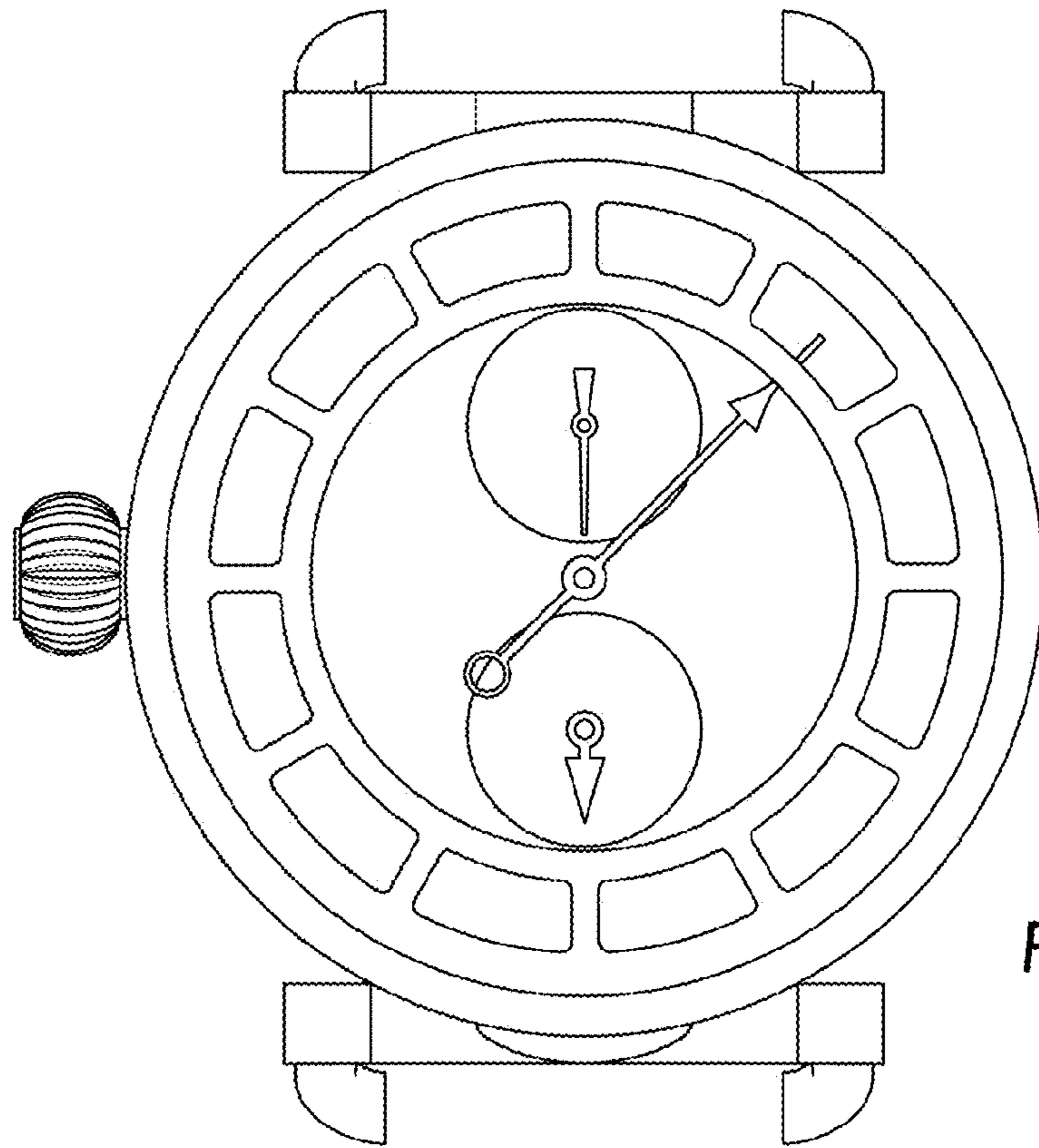


FIG. 5

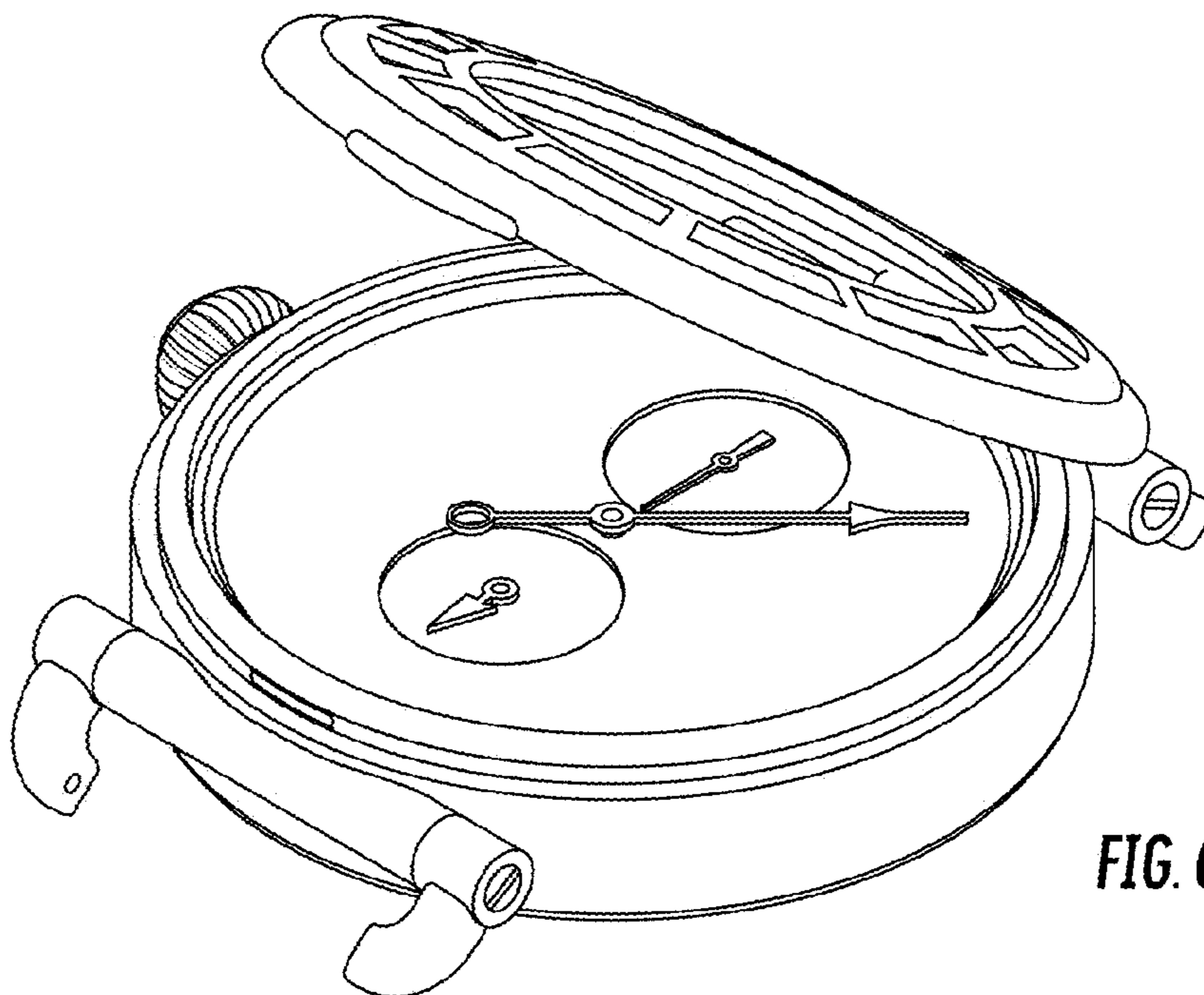


FIG. 6

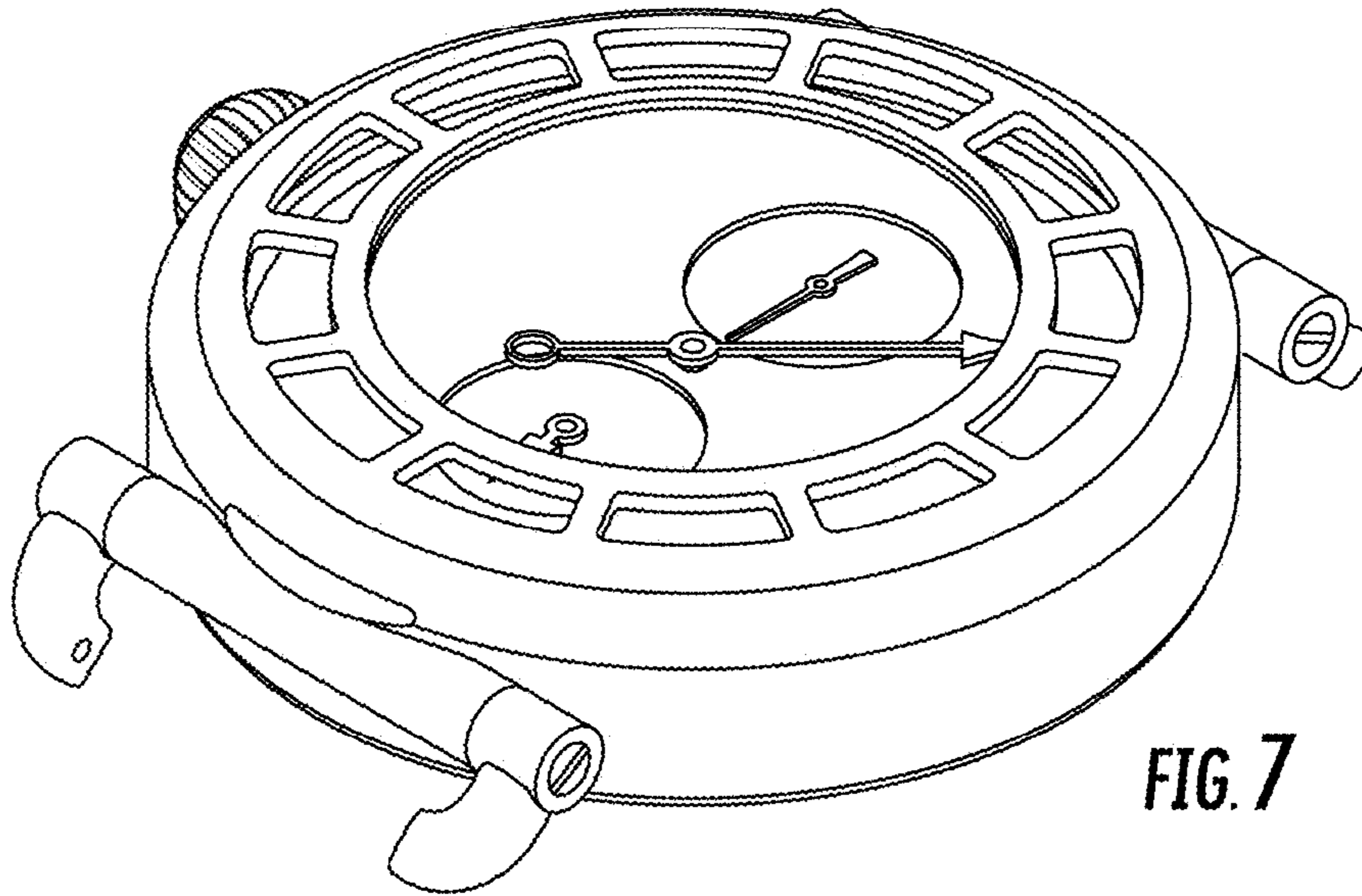


FIG. 7

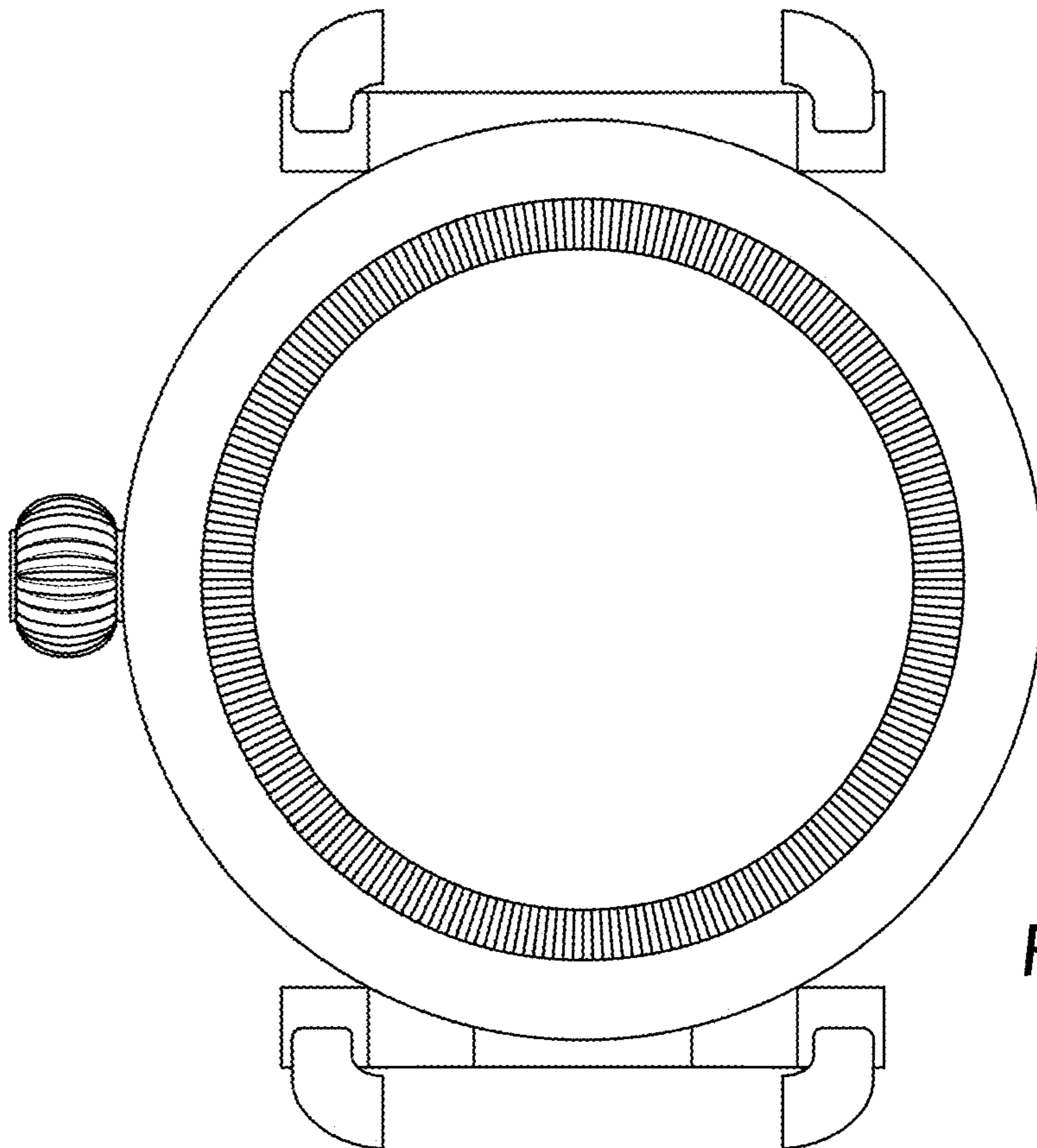


FIG. 8