

US00D759511S

(12) **United States Design Patent**
Belamich

(10) **Patent No.:** **US D759,511 S**
(45) **Date of Patent:** **** Jun. 21, 2016**

(54) **WATCH**

- (71) Applicant: **Bell & Ross B.V.**, Zoertermeer (NL)
- (72) Inventor: **Bruno Belamich**, Paris (FR)
- (73) Assignee: **BELL & ROSS B.V.**, Zoertermeer (NL)
- (**) Term: **15 Years**
- (21) Appl. No.: **29/546,655**
- (22) Filed: **Nov. 24, 2015**

Related U.S. Application Data

- (62) Division of application No. 29/458,924, filed on Jun. 24, 2013, now Pat. No. Des. 748,999.

Foreign Application Priority Data

- Apr. 17, 2013 (EM) 001367965-001
- Apr. 17, 2013 (EM) 001367965-002
- Apr. 17, 2013 (EM) 001367965-003
- Apr. 17, 2013 (EM) 001367965-004
- Apr. 17, 2013 (EM) 001367965-005
- Apr. 17, 2013 (EM) 001367965-006
- Apr. 17, 2013 (EM) 001367965-007
- Apr. 17, 2013 (EM) 001367965-008

(51) **LOC (10) Cl.** **10-02**

(52) **U.S. Cl.**
USPC **D10/39; D10/126**

(58) **Field of Classification Search**
USPC D10/30-39, 1-29, 122-132
CPC G04B 19/00; G04B 19/06; G04B 19/065;
G04B 19/08; G04B 19/10; G04B 19/23;
G04B 37/00; G04B 37/0008; G04B 37/0058;
G04B 37/0427; G04B 45/00; G04B 45/0069;
G04F 7/00; G04F 7/06; G04F 7/08; G04F
7/0866

See application file for complete search history.

(56) **References Cited**

U.S. PATENT DOCUMENTS

490,123	A *	1/1893	Nicolet	G04F 7/08 368/104
2,852,908	A	9/1958	Stern et al.	
D301,983	S	7/1989	Benoit-Pequignet et al.	
D348,847	S *	7/1994	Dumas	D10/125
D384,897	S *	10/1997	Kennedy	D10/30
D397,042	S	8/1998	Riley	
D453,690	S *	2/2002	D'Origny	D10/39
D465,739	S	11/2002	Arabov	
6,944,098	B2 *	9/2005	Rochat	G04B 37/0427 368/223
D517,432	S	3/2006	Laucella	
D536,628	S	2/2007	Roth	
D537,371	S	2/2007	Belamich	
D578,412	S	10/2008	Belamich	
D583,259	S *	12/2008	Arpa	D10/39
D588,025	S	3/2009	Belamich	
D594,352	S	6/2009	Belamich	
D650,711	S *	12/2011	Laucella	D10/39
D676,338	S *	2/2013	Jacquerye	D10/39
D705,088	S *	5/2014	Emch	D10/39
D718,152	S *	11/2014	Gueit	D10/32
D730,751	S *	6/2015	Belamich	D10/126

* cited by examiner

Primary Examiner — Martie K Holtje

(74) *Attorney, Agent, or Firm* — Volpe and Koenig, P.C.

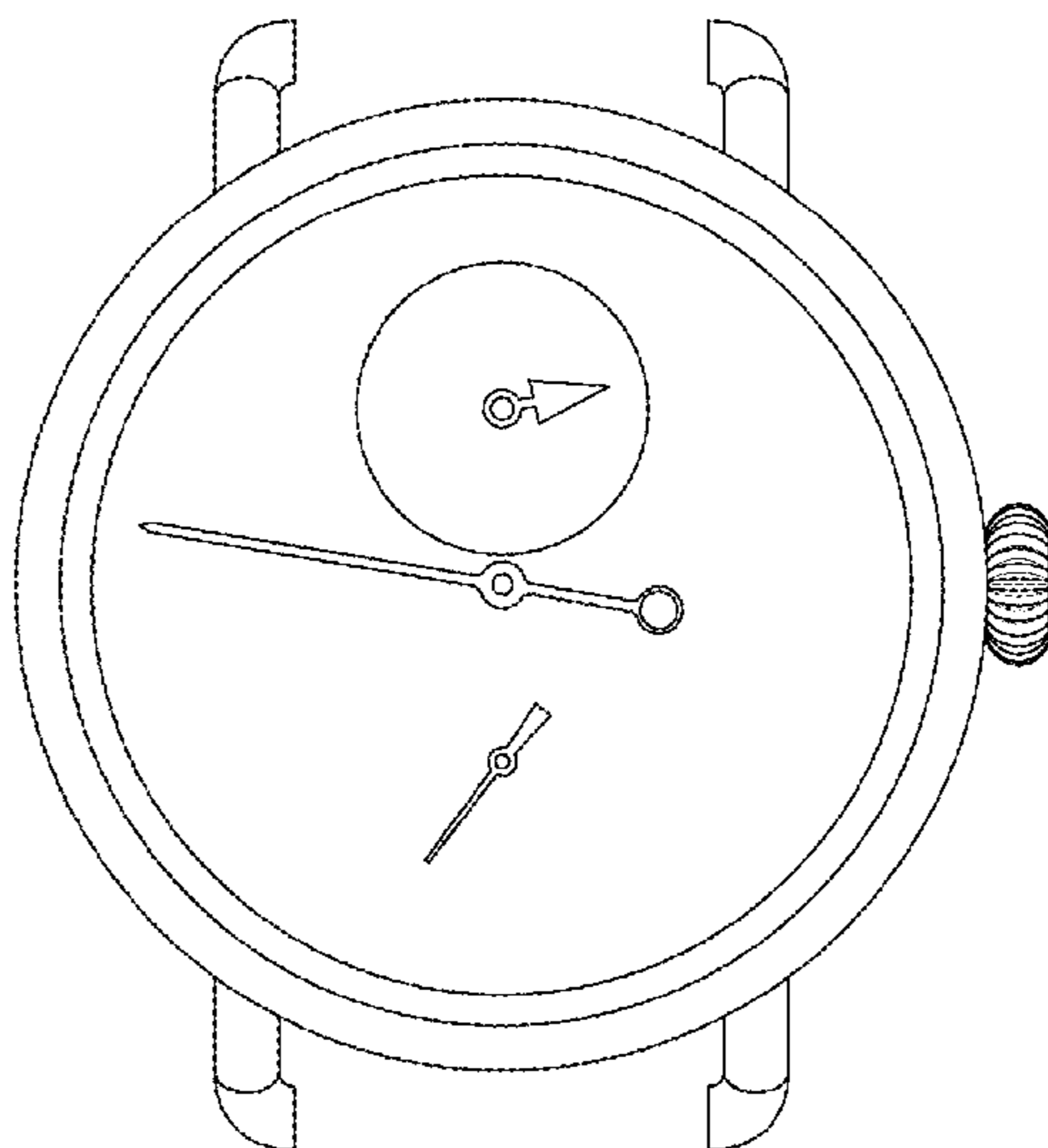
(57) **CLAIM**

The ornamental design for a watch, as shown and described.

DESCRIPTION

FIG. 1 is a right side view of the watch of my design;
 FIG. 2 is a front view thereof;
 FIG. 3 is a rear view thereof;
 FIG. 4 is a top plan view thereof;
 FIG. 5 is a left side view thereof;
 FIG. 6 is a bottom view thereof; and,
 FIG. 7 is a top perspective view thereof.

1 Claim, 3 Drawing Sheets



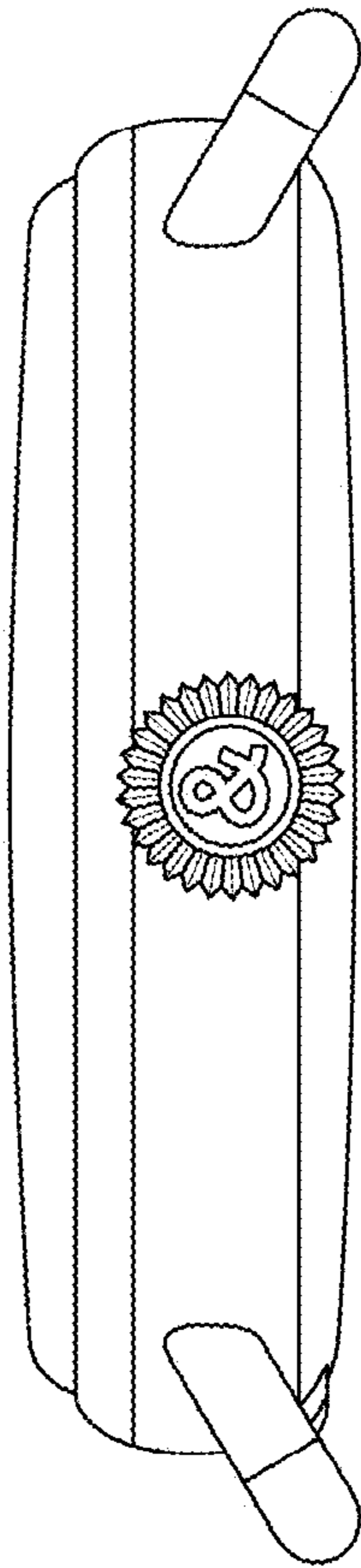


FIG. 1

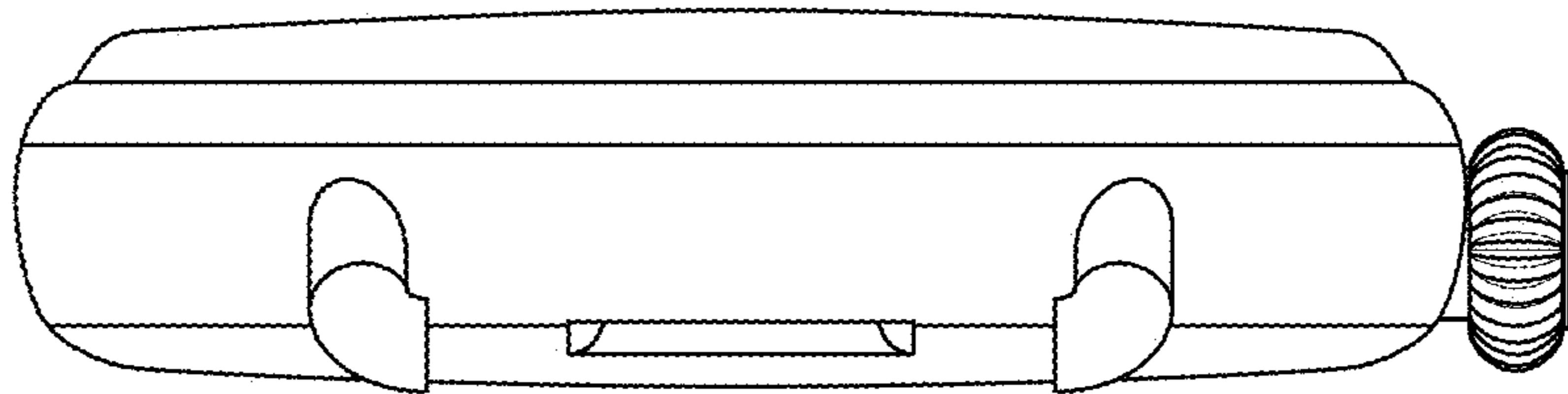


FIG. 2

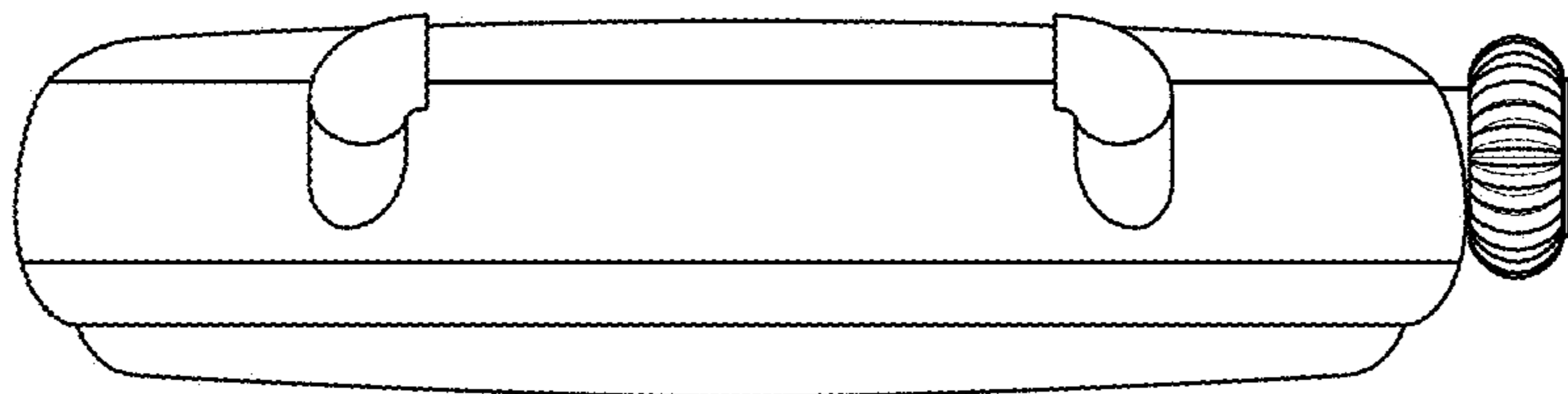


FIG. 3

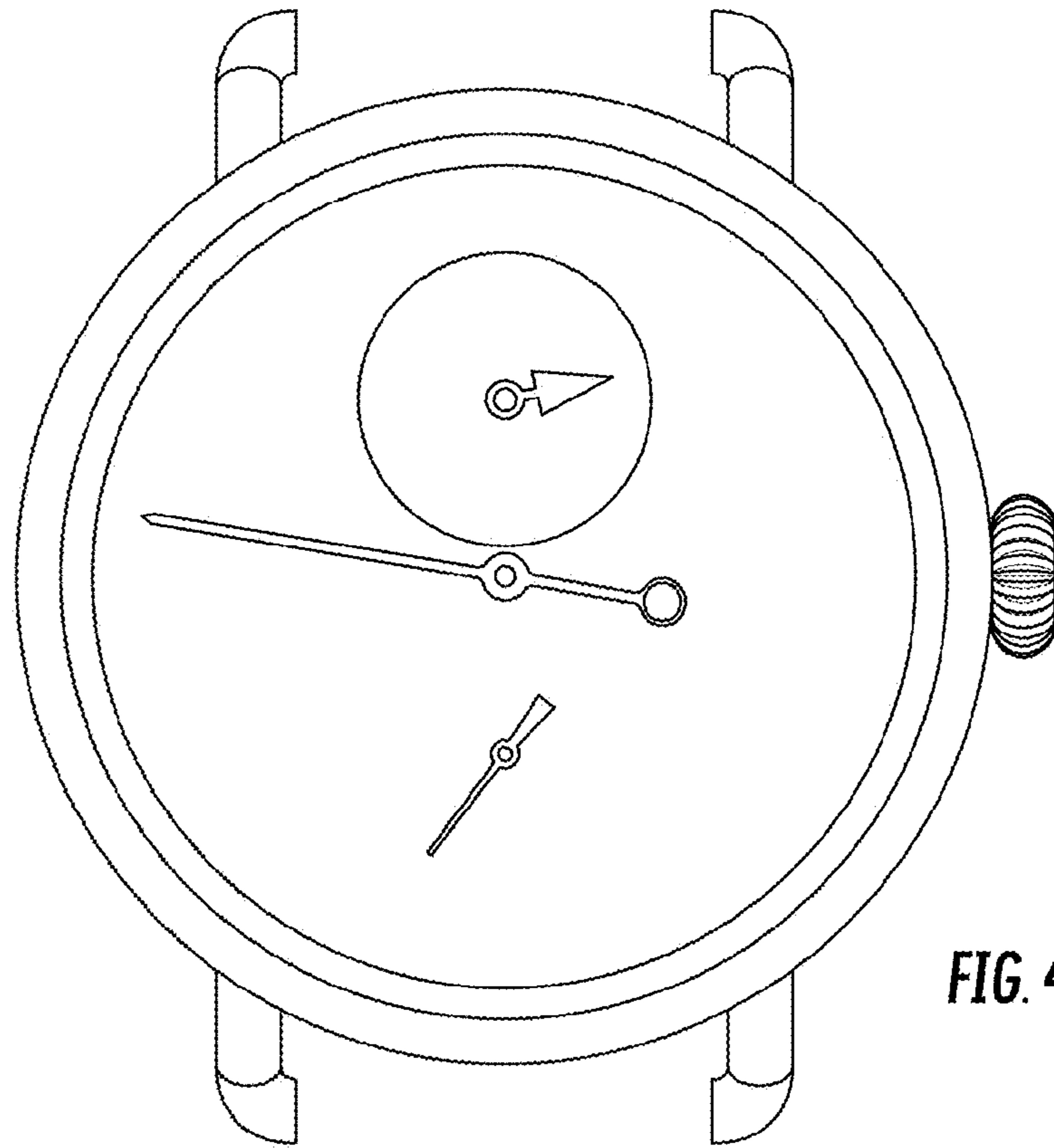


FIG. 4

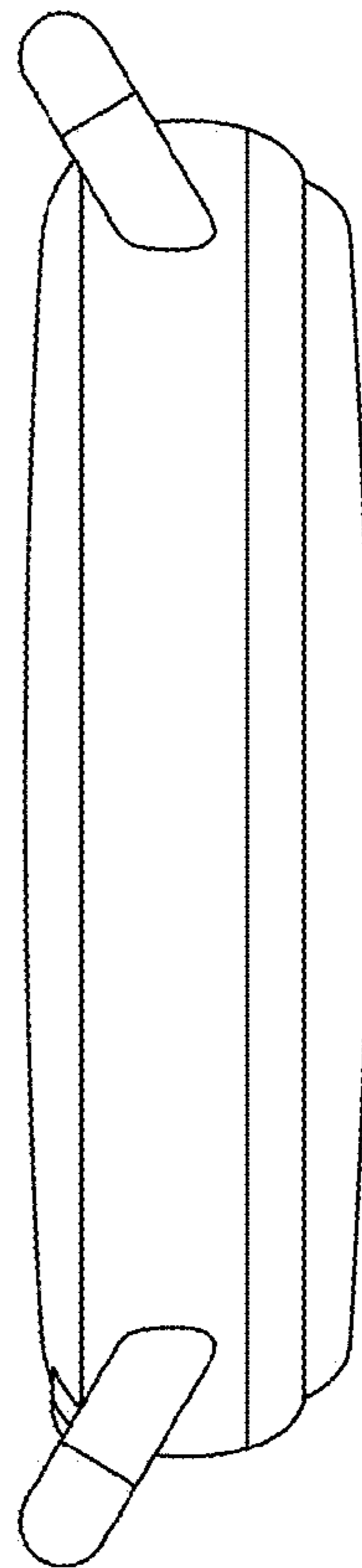


FIG. 5

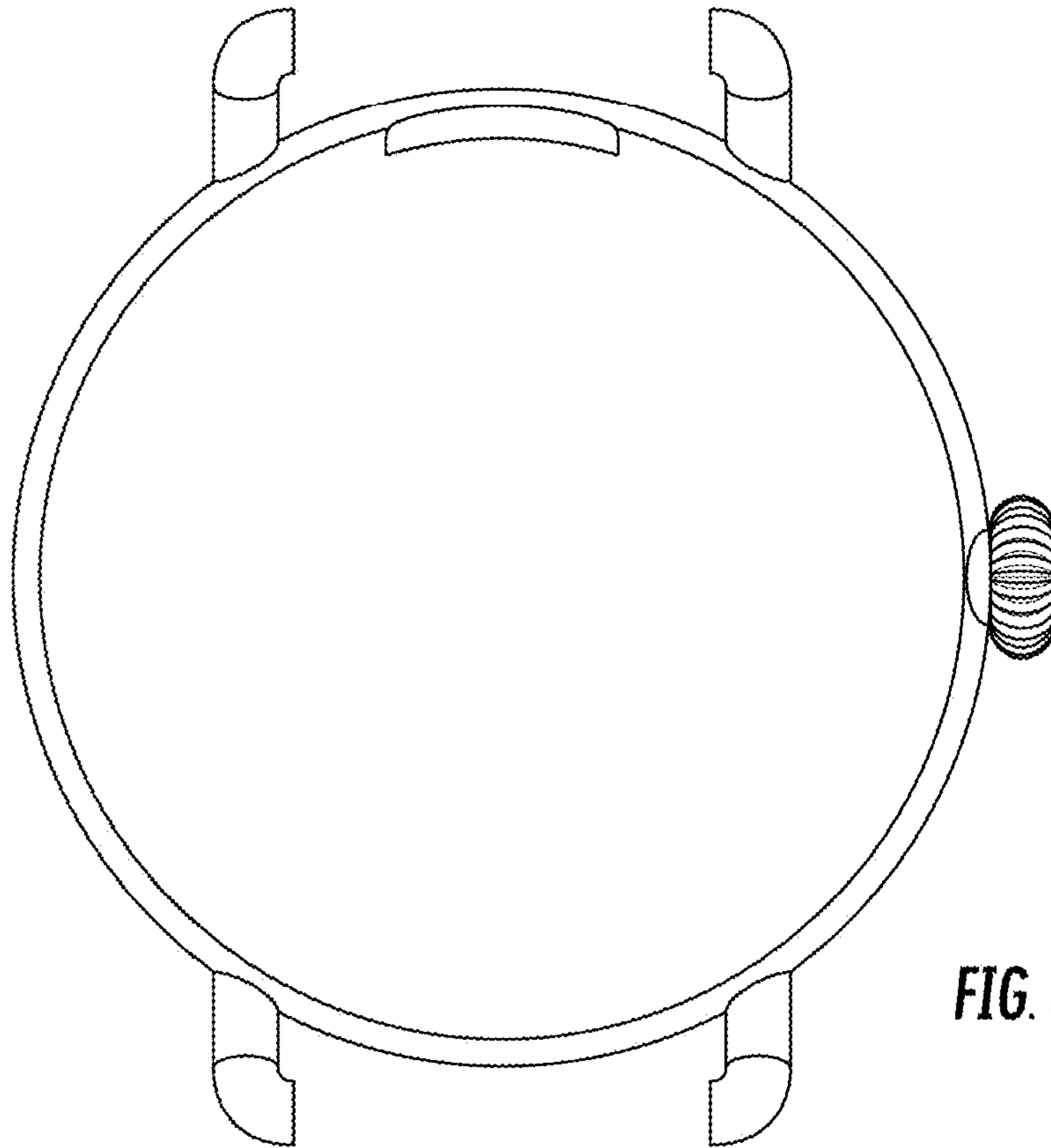


FIG. 6

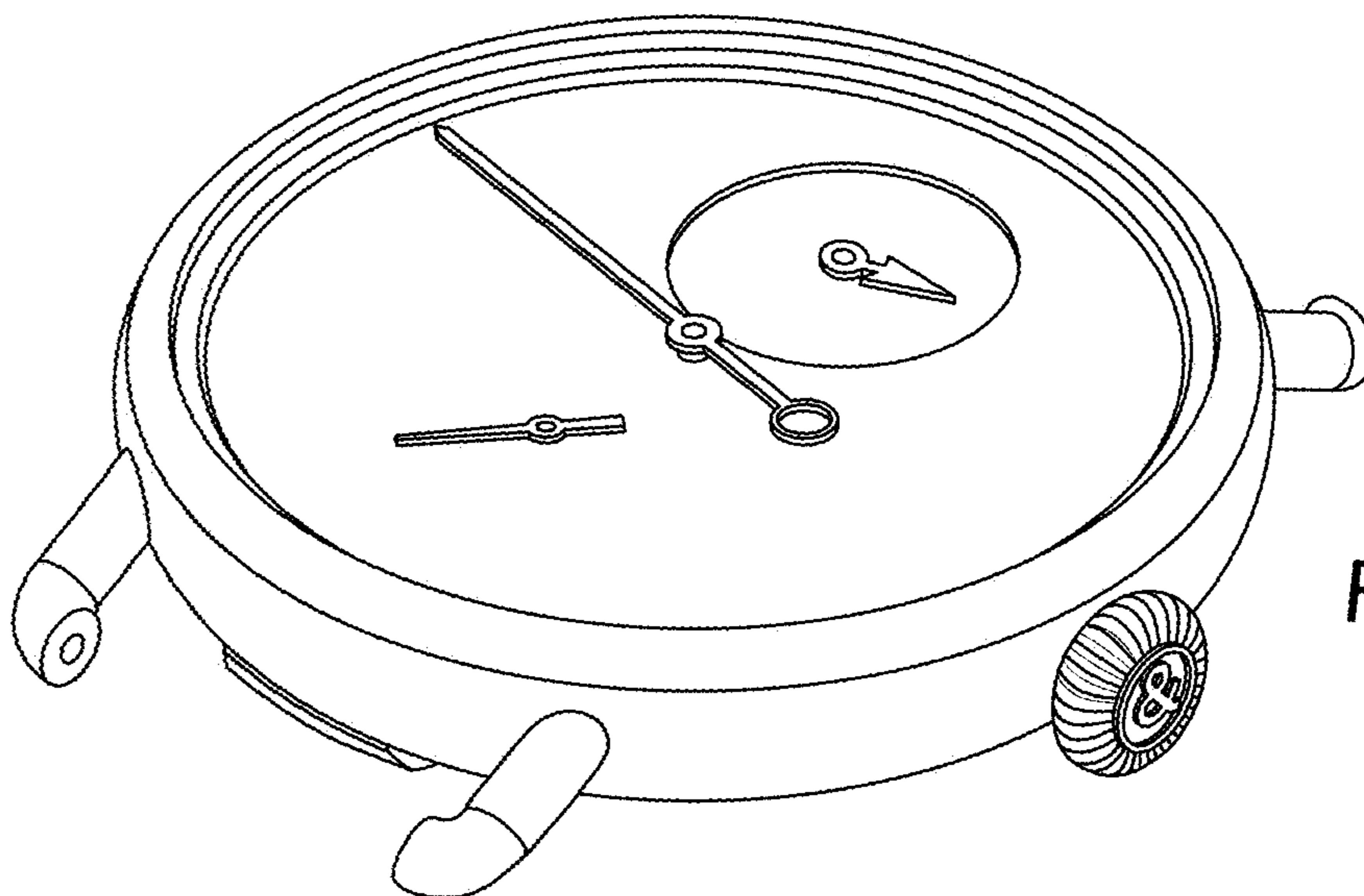


FIG. 7