



US00D759510S

(12) **United States Design Patent**
Belamich

(10) **Patent No.:** **US D759,510 S**
(45) **Date of Patent:** **** Jun. 21, 2016**

(54) **WATCH**

(71) Applicant: **Bell & Ross B.V.**, Zoetermeer (NL)

(72) Inventor: **Bruno Belamich**, Paris (FR)

(73) Assignee: **BELL & ROSS B.V.**, Zoetermeer (NL)

(**) Term: **15 Years**

(21) Appl. No.: **29/546,654**

(22) Filed: **Nov. 24, 2015**

Related U.S. Application Data

(62) Division of application No. 29/458,924, filed on Jun. 24, 2013, now Pat. No. Des. 748,999.

(30) **Foreign Application Priority Data**

- Apr. 17, 2013 (EM) 001367965-001
- Apr. 17, 2013 (EM) 001367965-002
- Apr. 17, 2013 (EM) 001367965-003
- Apr. 17, 2013 (EM) 001367965-004
- Apr. 17, 2013 (EM) 001367965-005
- Apr. 17, 2013 (EM) 001367965-006
- Apr. 17, 2013 (EM) 001367965-007
- Apr. 17, 2013 (EM) 001367965-008

(51) **LOC (10) Cl.** **10-02**

(52) **U.S. Cl.**
USPC **D10/39; D10/126**

(58) **Field of Classification Search**
USPC D10/30-39, 1-29, 122-132
CPC G04B 15/00; G04B 15/06; G04B 19/00;
G04B 19/06; G04B 19/065; G04B 19/08;
G04B 19/10; G04B 19/24; G04B 19/268;
G04B 37/00; G04B 37/0008; G04B 37/0058;
G04B 37/1486; G04B 45/00; G04B 45/0069;
G04F 7/00; G04F 7/06; G04F 7/08; G04F
7/0866; G04C 17/00

See application file for complete search history.

(56) **References Cited**

U.S. PATENT DOCUMENTS

2,852,908	A	9/1958	Stern et al.	
4,766,579	A *	8/1988	Sporring	G04B 19/268 368/15
D301,983	S	7/1989	Benoit-Pequignet et al.	
D301,986	S *	7/1989	Hysek	D10/32
D320,946	S *	10/1991	Crocco	D10/32
5,119,349	A *	6/1992	Muto	G04C 17/00 368/107
5,220,541	A *	6/1993	Vuilleumier	G04F 7/08 368/110
D397,042	S	8/1998	Riley	
D447,705	S *	9/2001	Scheufele	D10/39
D465,739	S	11/2002	Arabov	
D517,432	S	3/2006	Laucella	
D521,395	S *	5/2006	Slimane	D10/32
D536,628	S	2/2007	Roth	
D537,371	S	2/2007	Belamich	
D538,182	S *	3/2007	Lalo	D10/32
D568,769	S *	5/2008	Emch Ducommun	D10/32
D578,412	S	10/2008	Belamich	
D584,644	S *	1/2009	De Givenchy	D10/39
D588,025	S	3/2009	Belamich	
D594,352	S	6/2009	Belamich	
D598,304	S *	8/2009	Belamich	D10/39
D637,919	S *	5/2011	Duval	D10/32
D655,630	S *	3/2012	Behling	D10/38
D676,338	S *	2/2013	Jacquerye	D10/39
D695,637	S *	12/2013	Jacquerye	D10/39
D706,144	S *	6/2014	Monachon	D10/39

* cited by examiner

Primary Examiner — Martie K Holtje

(74) *Attorney, Agent, or Firm* — Volpe and Koenig, P.C.

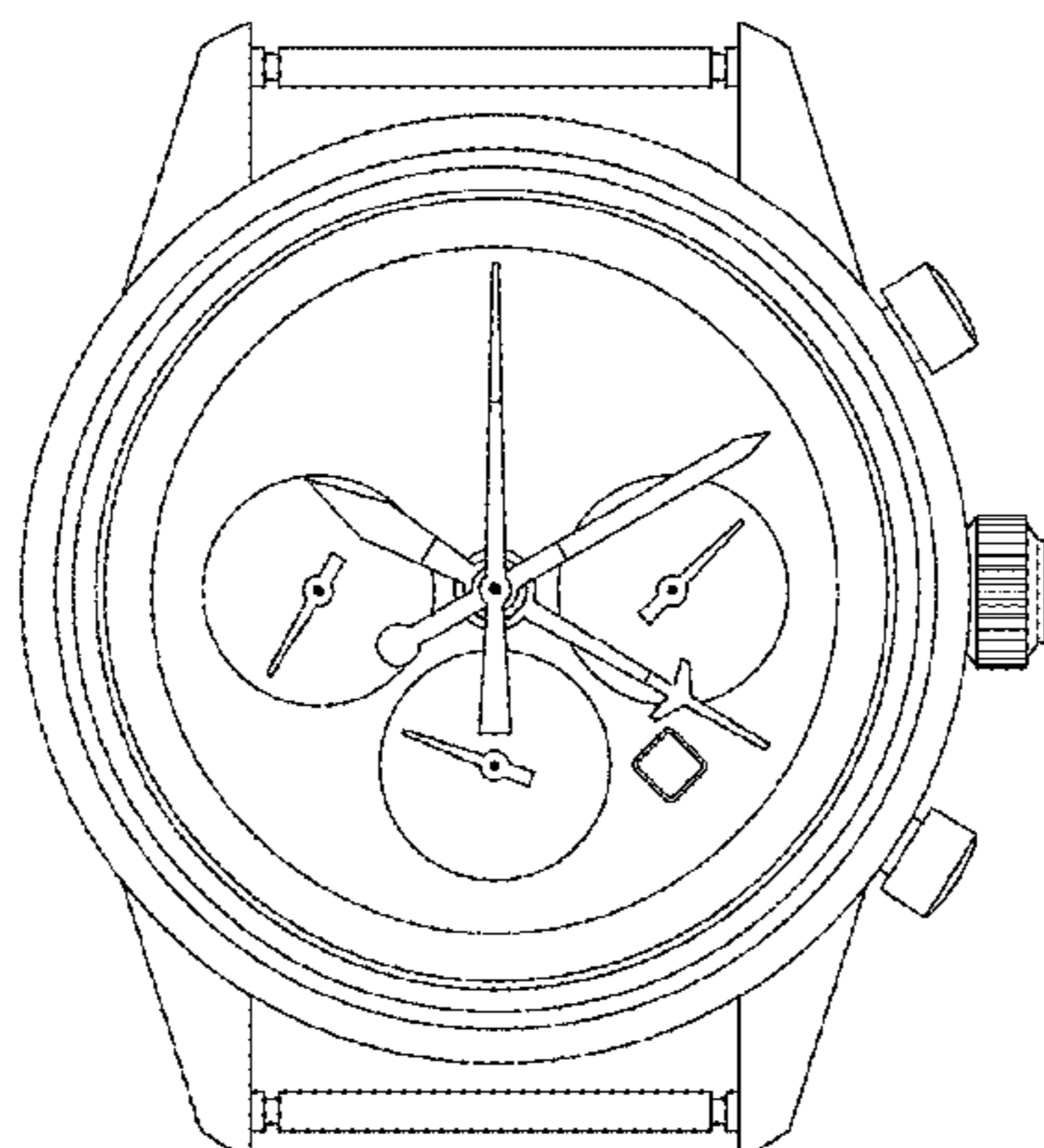
(57) **CLAIM**

The ornamental design for a watch, as shown and described.

DESCRIPTION

FIG. 1 is a right side view of the watch of my design;
FIG. 2 is a front view thereof;
FIG. 3 is a rear view thereof;
FIG. 4 is a top plan view thereof;
FIG. 5 is a left side view thereof;
FIG. 6 is a bottom view thereof; and,
FIG. 7 is a top perspective view thereof.

1 Claim, 3 Drawing Sheets



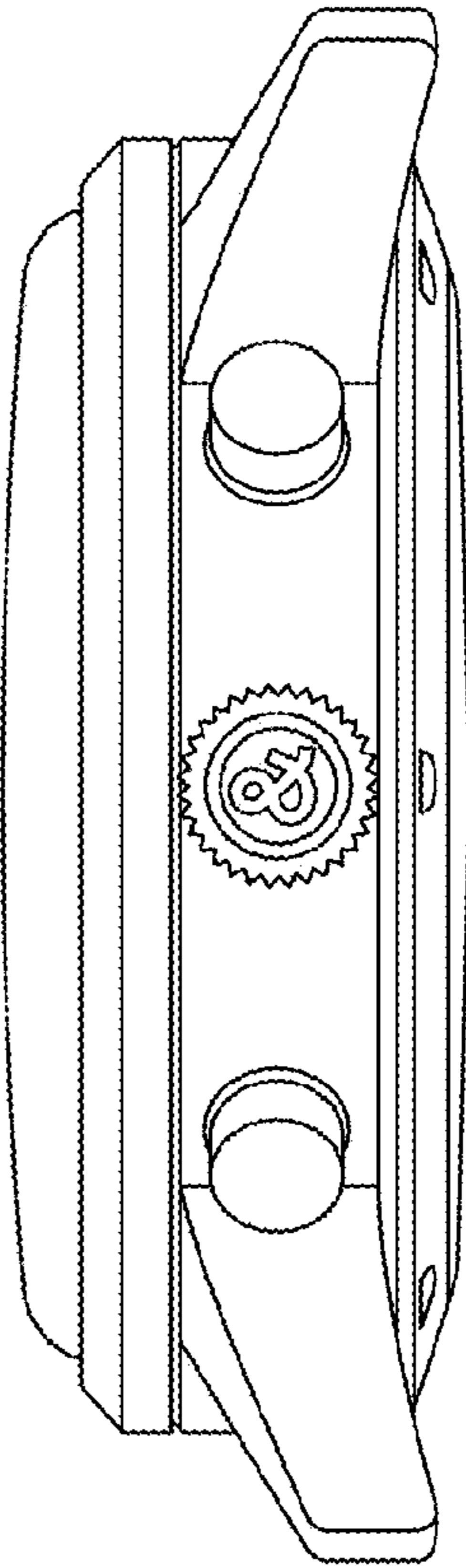


FIG. 1

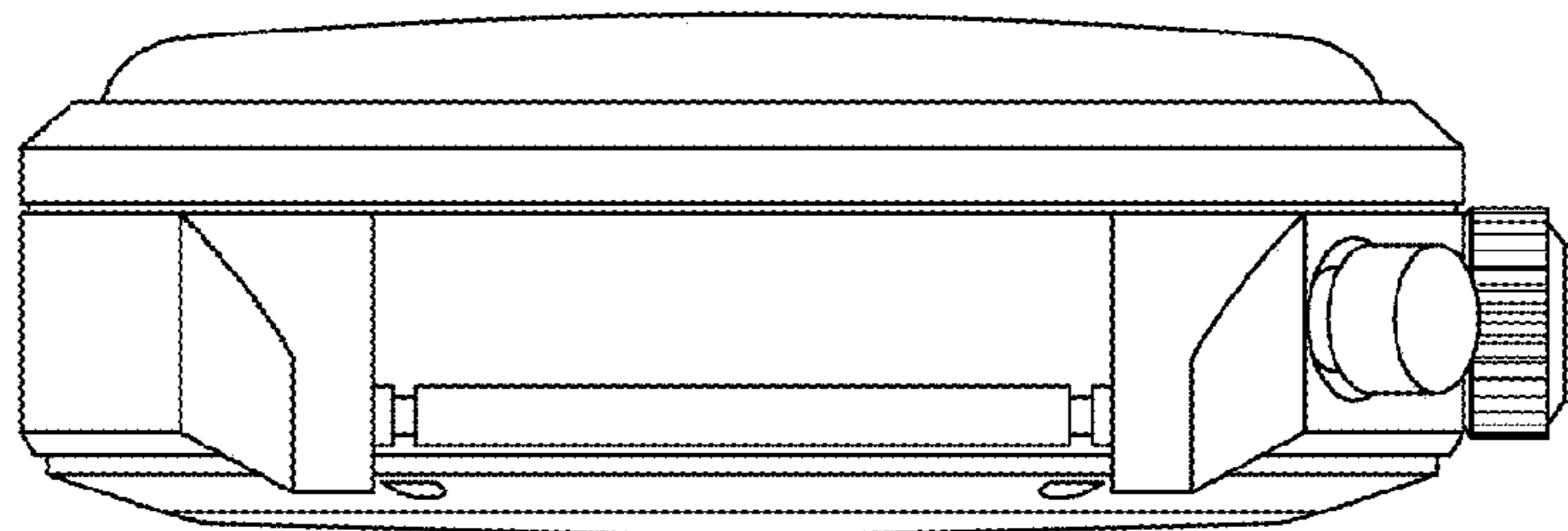


FIG. 2

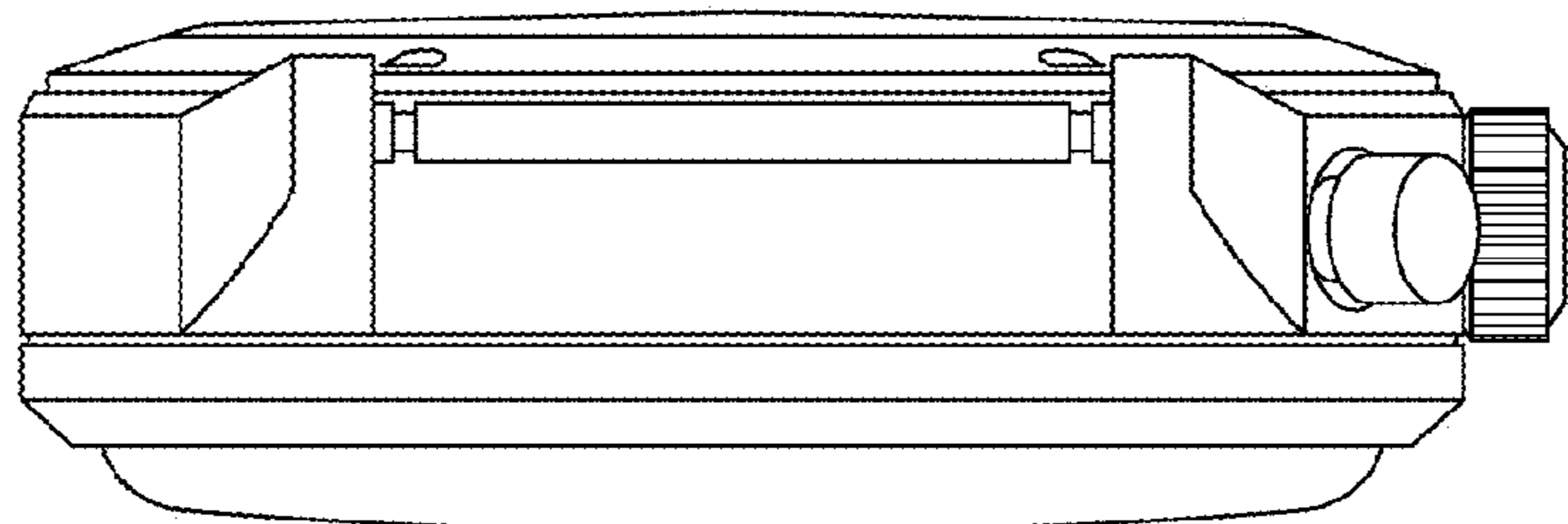


FIG. 3

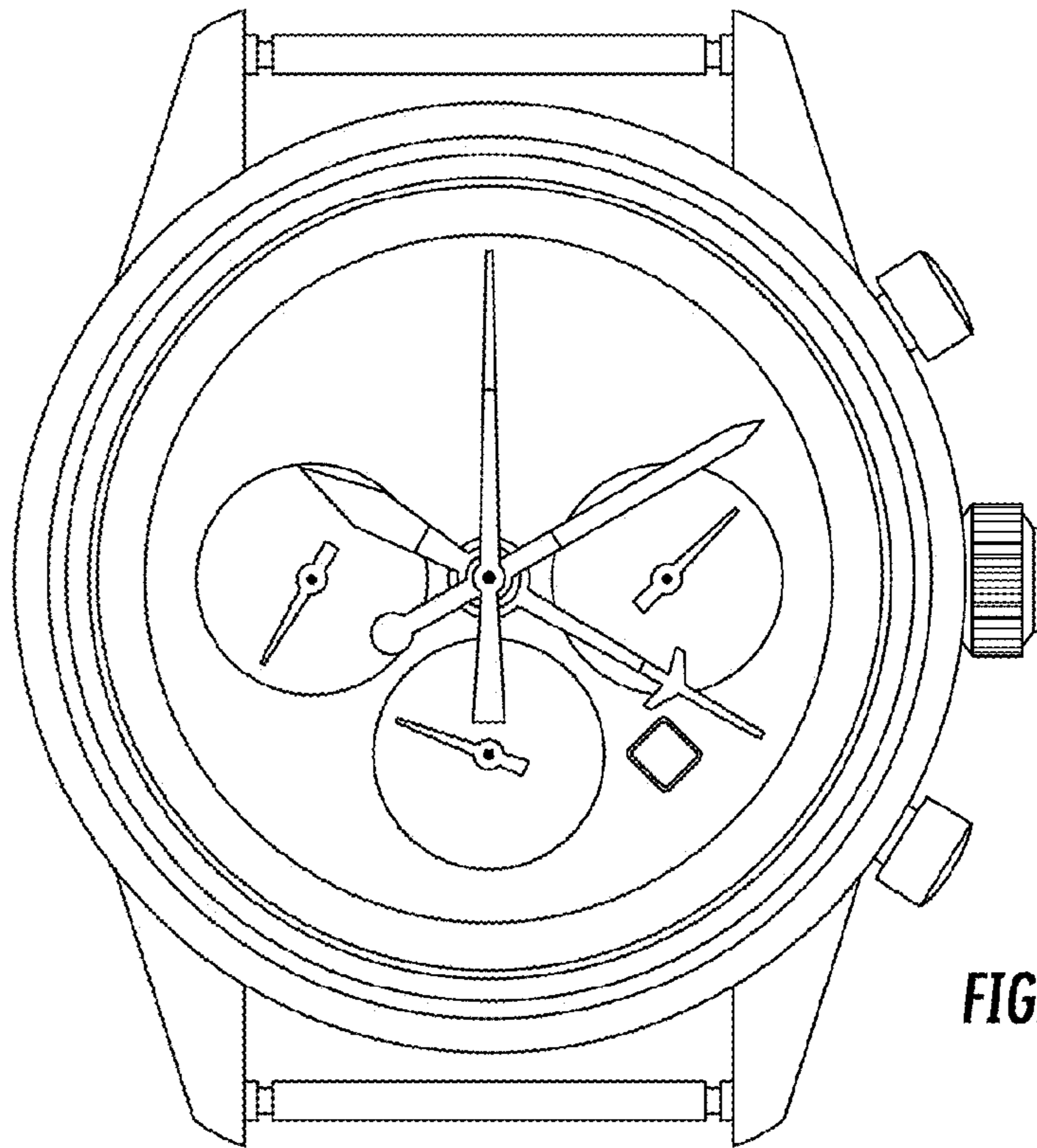


FIG. 4

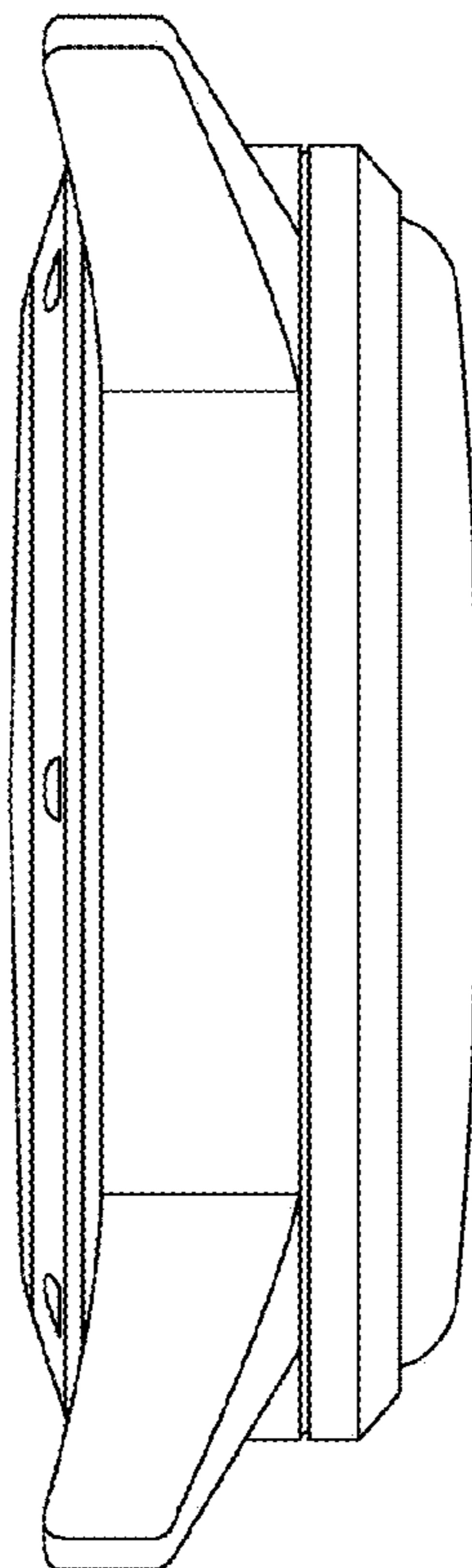


FIG. 5

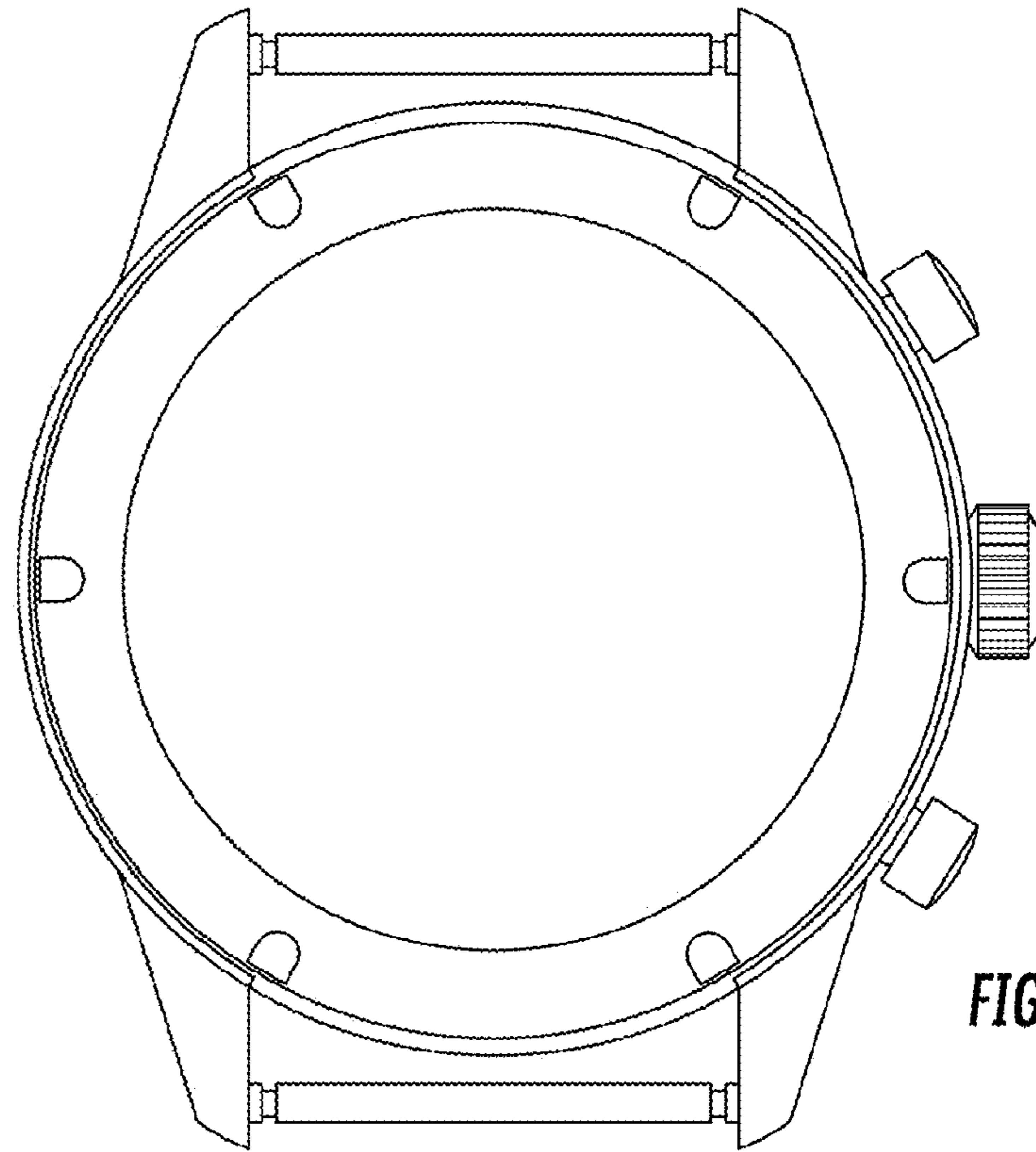


FIG. 6

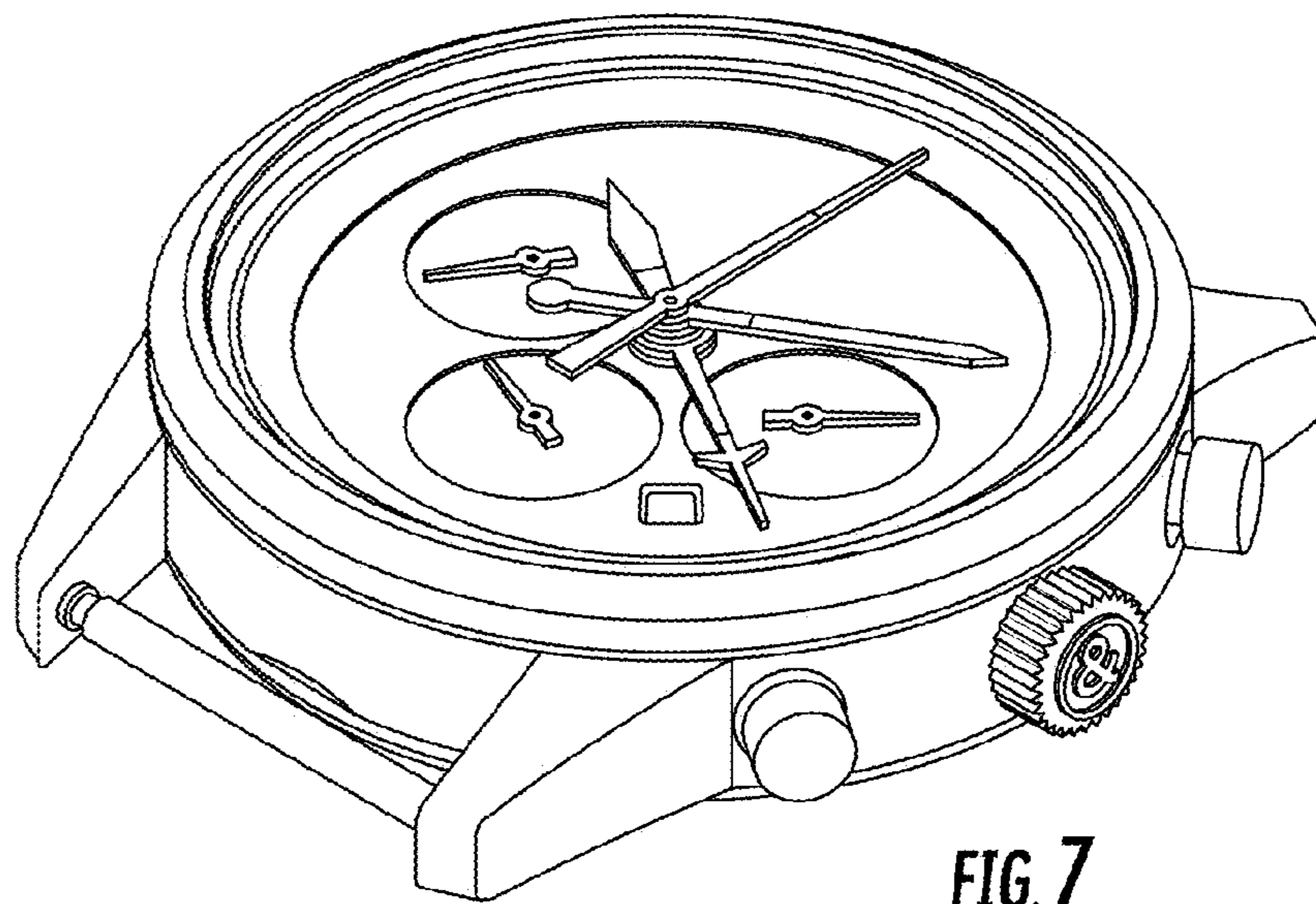


FIG. 7