



US00D759509S

(12) **United States Design Patent**
Belamich

(10) **Patent No.:** **US D759,509 S**
(45) **Date of Patent:** **** Jun. 21, 2016**

(54) **WATCH**

- (71) Applicant: **Bell & Ross B.V.**, Zoertermeer (NL)
- (72) Inventor: **Bruno Belamich**, Paris (FR)
- (73) Assignee: **BELL & ROSS B.V.**, Zoertermeer (NL)
- (**) Term: **15 Years**
- (21) Appl. No.: **29/546,643**
- (22) Filed: **Nov. 24, 2015**

Related U.S. Application Data

- (62) Division of application No. 29/458,924, filed on Jun. 24, 2013, now Pat. No. Des. 748,999.

(30) **Foreign Application Priority Data**

- Apr. 17, 2013 (EM) 001367965-001
- Apr. 17, 2013 (EM) 001367965-002
- Apr. 17, 2013 (EM) 001367965-003
- Apr. 17, 2013 (EM) 001367965-004
- Apr. 17, 2013 (EM) 001367965-005
- Apr. 17, 2013 (EM) 001367965-006
- Apr. 17, 2013 (EM) 001367965-007
- Apr. 17, 2013 (EM) 001367965-008

- (51) **LOC (10) Cl.** **10-02**
- (52) **U.S. Cl.**
USPC **D10/39; D10/126**

- (58) **Field of Classification Search**
USPC D10/30-39, 1-29, 122-132
CPC G04B 19/00; G04B 19/04; G04B 19/06;
G04B 19/065; G04B 19/10; G04B 19/12;
G04B 37/00; G04B 37/0008; G04B 37/0058;
G04B 37/04; G04B 37/116; G04B 37/1468;
G04B 17/00; G04B 17/08

See application file for complete search history.

(56) **References Cited**

U.S. PATENT DOCUMENTS

- 2,232,300 A * 2/1941 Arbey G04B 37/04
368/228
- 2,852,908 A 9/1958 Stern et al.
- 3,395,531 A * 8/1968 Caprara G04B 37/0008
368/291
- 4,218,873 A * 8/1980 Lang G04B 37/116
368/276
- 4,390,288 A * 6/1983 Arnoux G04B 37/0058
368/276
- D301,983 S 7/1989 Benoit-Pequignet et al.
- D317,871 S * 7/1991 Applegate, Jr. D10/30
- D397,042 S 8/1998 Riley
- D465,739 S 11/2002 Arabov
- D473,802 S * 4/2003 Berliat D10/39
- 6,587,400 B1 * 7/2003 Line G04C 10/00
368/204
- D517,432 S 3/2006 Laucella
- D531,524 S * 11/2006 Behling D10/38
- D536,628 S 2/2007 Roth
- D537,371 S 2/2007 Belamich
- D566,585 S * 4/2008 Belamich D10/39
- D577,611 S * 9/2008 Lalo D10/32
- D578,412 S 10/2008 Belamich
- D588,025 S 3/2009 Belamich

(Continued)

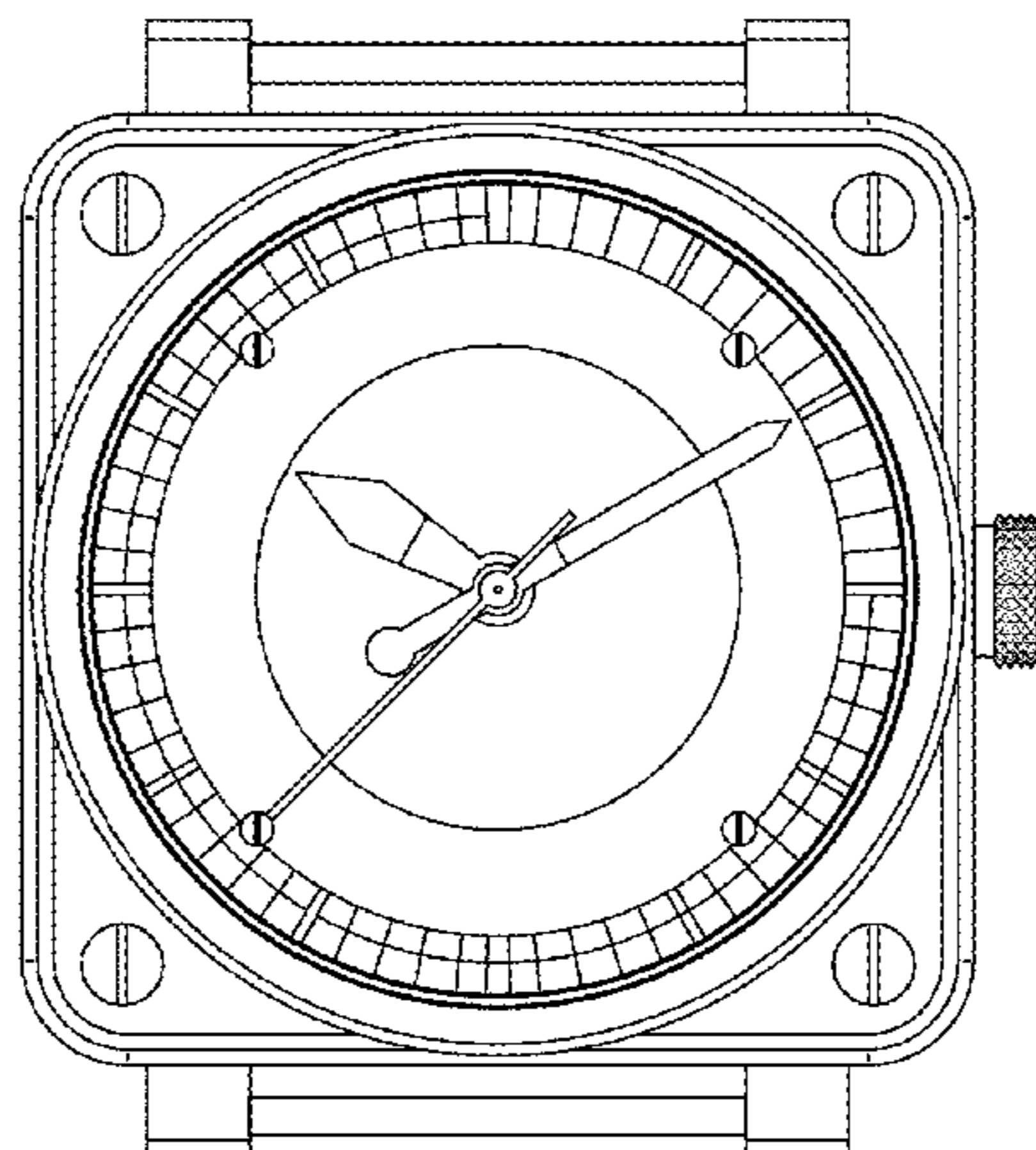
Primary Examiner — Martie K Holtje
(74) *Attorney, Agent, or Firm* — Volpe and Koenig, P.C.

(57) **CLAIM**
The ornamental design for a watch, as shown and described.

DESCRIPTION

FIG. 1 is a right side view of the watch of my design;
FIG. 2 is a front view thereof;
FIG. 3 is a rear view thereof;
FIG. 4 is a top plan view thereof;
FIG. 5 is a left side view thereof;
FIG. 6 is a bottom plan view thereof; and,
FIG. 7 is a top, right front perspective view thereof.
The structural features depicted by broken lines in FIG. 6 have been shown for the purpose of illustrating portions of the watch that form no part of the claimed design.

1 Claim, 4 Drawing Sheets



US D759,509 S

Page 2

(56)

References Cited

U.S. PATENT DOCUMENTS

D594,352 S 6/2009 Belamich
7,628,530 B2* 12/2009 Andren G04B 37/1486
224/177

D630,530 S * 1/2011 Nunes D10/38
D632,593 S * 2/2011 Nunes D10/39
D635,867 S * 4/2011 Nunes D10/38
D748,999 S * 2/2016 Belamich D10/126

* cited by examiner

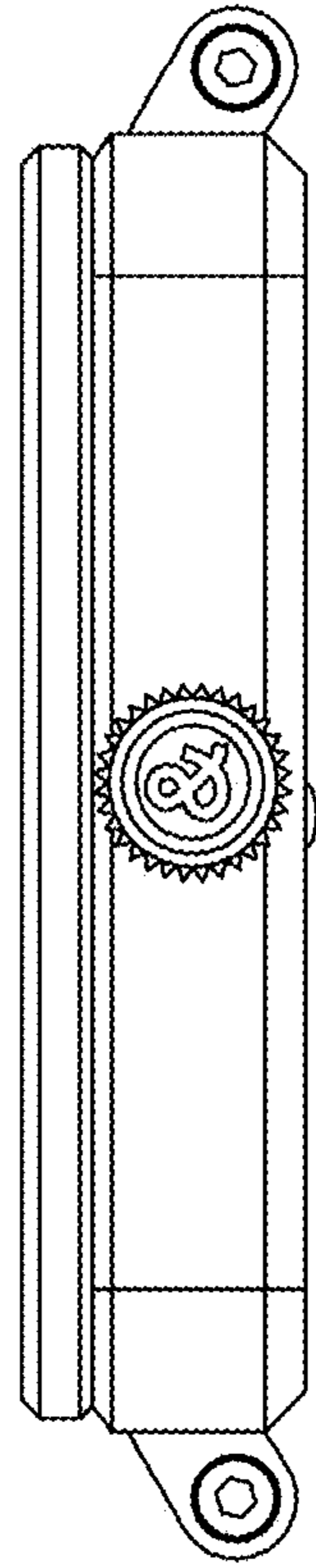


FIG. 1

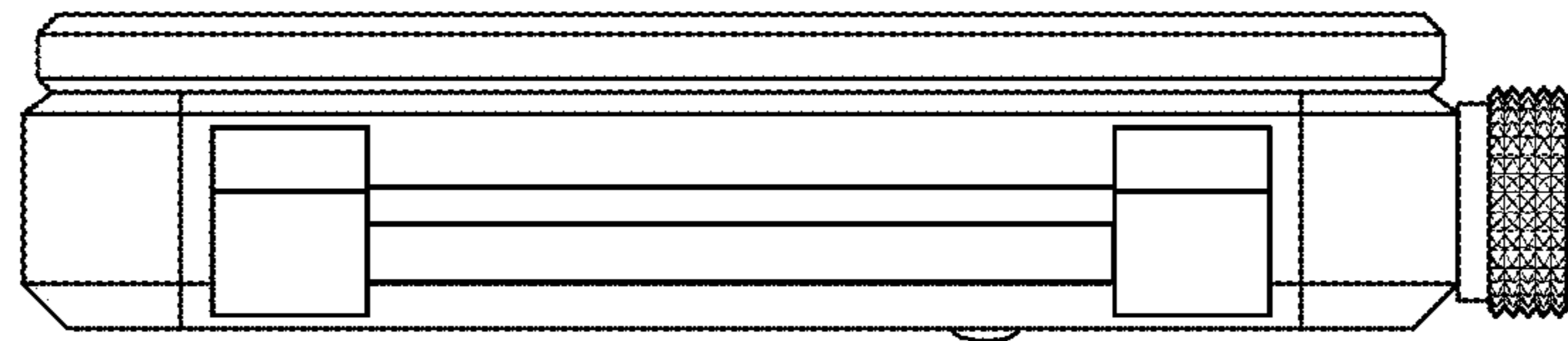


FIG. 2

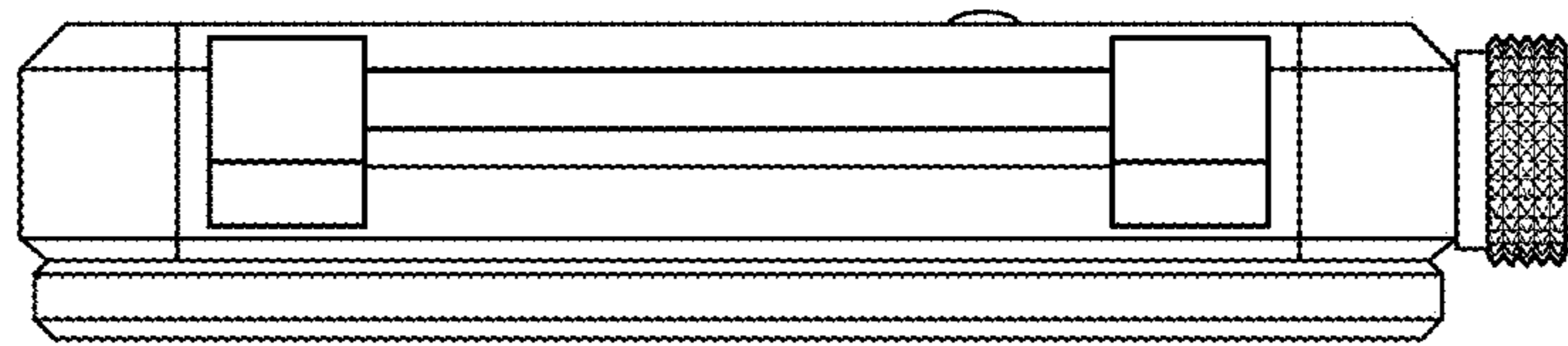


FIG. 3

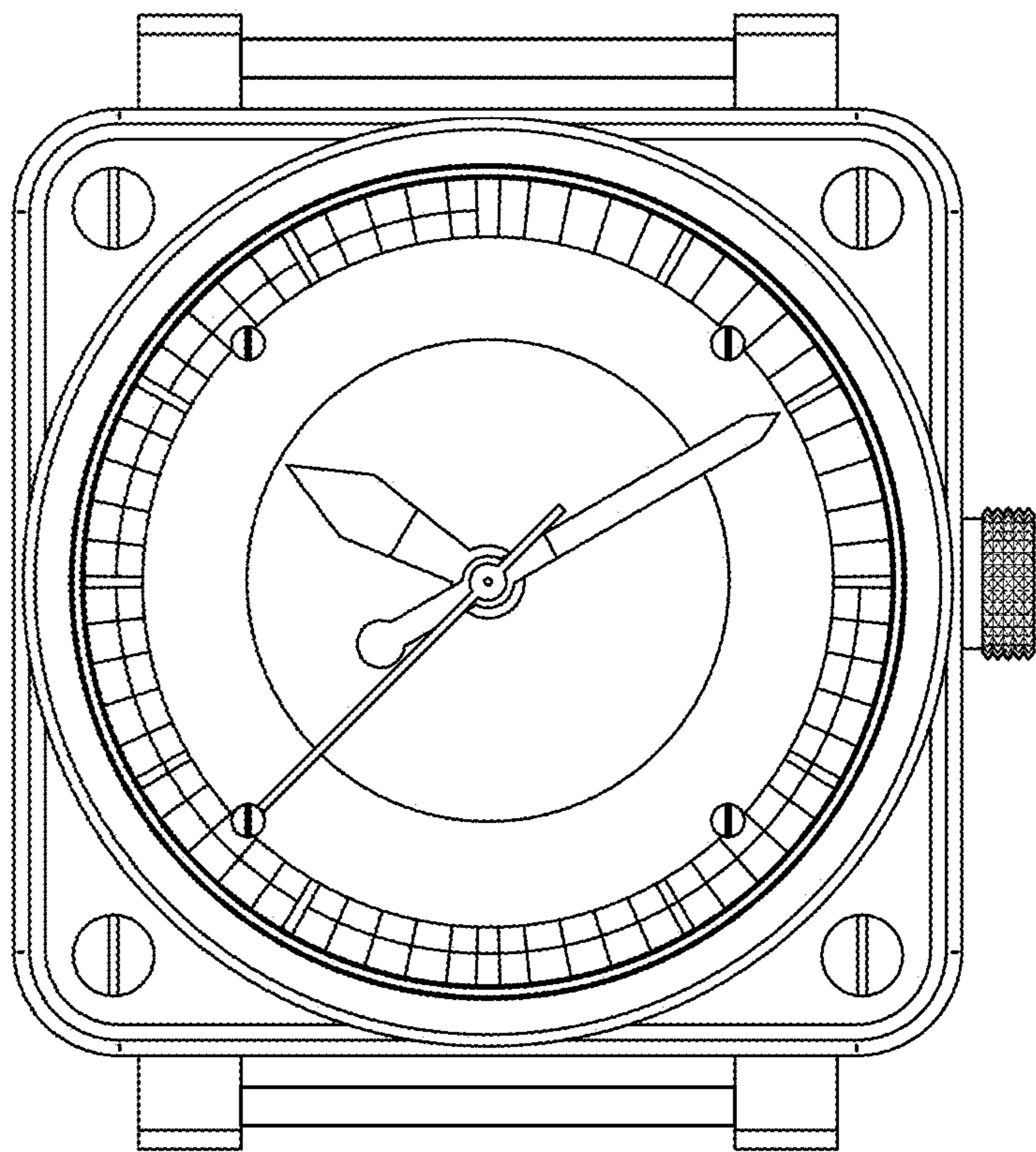


FIG. 4

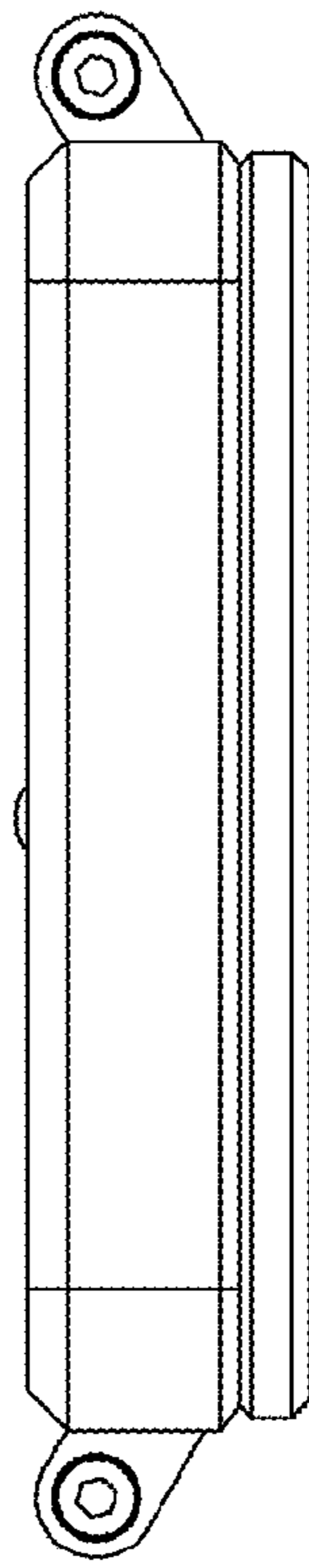


FIG. 5

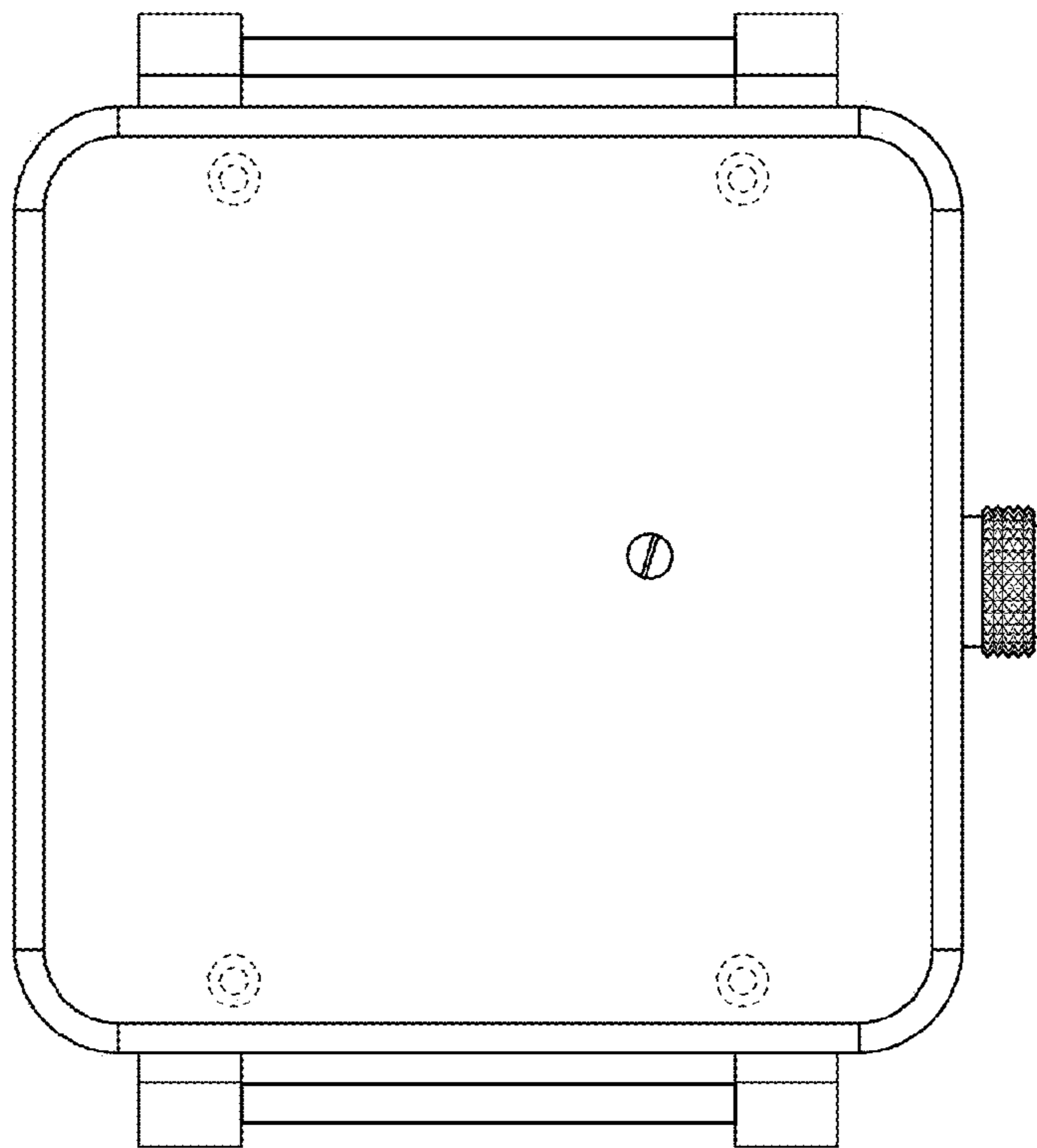


FIG. 6

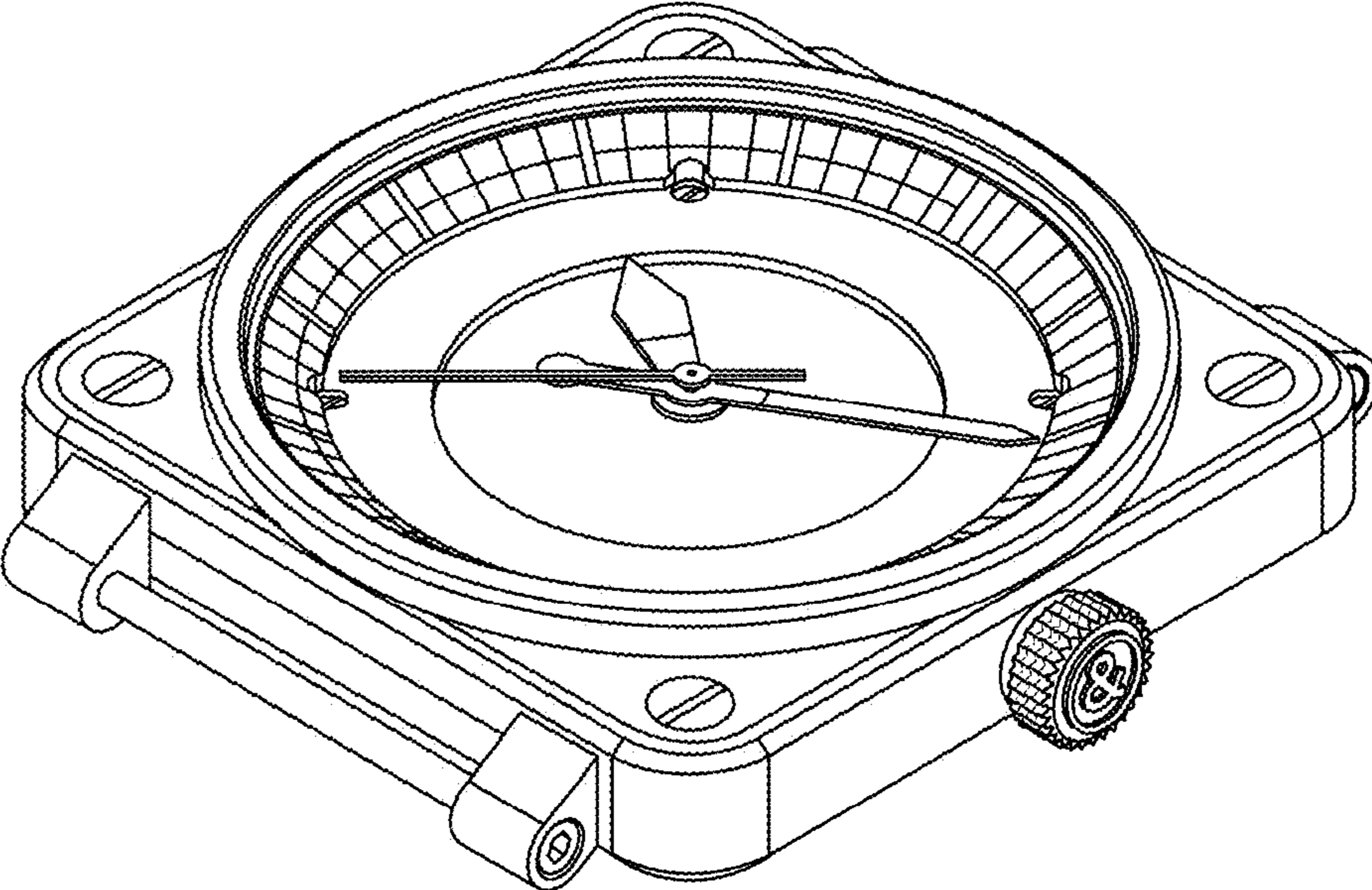


FIG. 7