



US00D759506S

(12) **United States Design Patent**
Rabassa

(10) **Patent No.:** **US D759,506 S**
(45) **Date of Patent:** **** Jun. 21, 2016**

- (54) **WATCH**
- (71) Applicant: **Cartier Creation Studio SA**, Geneva (CH)
- (72) Inventor: **Serge Rabassa**, Vessy (CH)
- (73) Assignee: **Cartier International AG**, Steinhausen (CH)
- (**) Term: **15 Years**
- (21) Appl. No.: **29/530,853**
- (22) Filed: **Jun. 19, 2015**
- (30) **Foreign Application Priority Data**
Dec. 19, 2014 (WO) DM/085 216
- (51) **LOC (10) Cl.** **10-02**
- (52) **U.S. Cl.**
USPC **D10/34; D10/39; D10/122**
- (58) **Field of Classification Search**
USPC D10/30-39, 1-29, 122-132; D11/4, 27, D11/30, 31, 49, 52, 82, 202, 206; D21/617, D21/618
CPC G04B 19/00; G04B 19/04; G04B 19/10; G04B 37/00; G04B 37/0008; G04B 37/0058; G04B 37/12; G04B 45/00; G04B 45/0076
See application file for complete search history.

- 2,988,870 A * 6/1961 Tupone G04B 45/0046 368/229
- D311,157 S * 10/1990 Boivin D11/202
- D324,653 S * 3/1992 Mandelli D10/34
- D324,654 S * 3/1992 Mandelli D10/34
- D341,797 S * 11/1993 Perrin D11/206
- D401,161 S * 11/1998 Perrin D10/34
- D475,944 S * 6/2003 Jordan D11/52
- D536,633 S * 2/2007 Arlanda D11/30
- D612,282 S * 3/2010 Iacomucci D11/4
- D612,284 S * 3/2010 Iacomucci D11/31
- D640,949 S * 7/2011 Iacomucci D11/31
- D671,857 S * 12/2012 Rabassa D10/126
- D680,024 S * 4/2013 Le Bail D11/49
- D684,484 S * 6/2013 Chastaingt D10/34
- D692,343 S * 10/2013 Hardy D11/82
- D718,174 S * 11/2014 Le Bail D11/27

* cited by examiner

Primary Examiner — Martie K Holtje
(74) *Attorney, Agent, or Firm* — Taft Stettinius & Hollister LLP

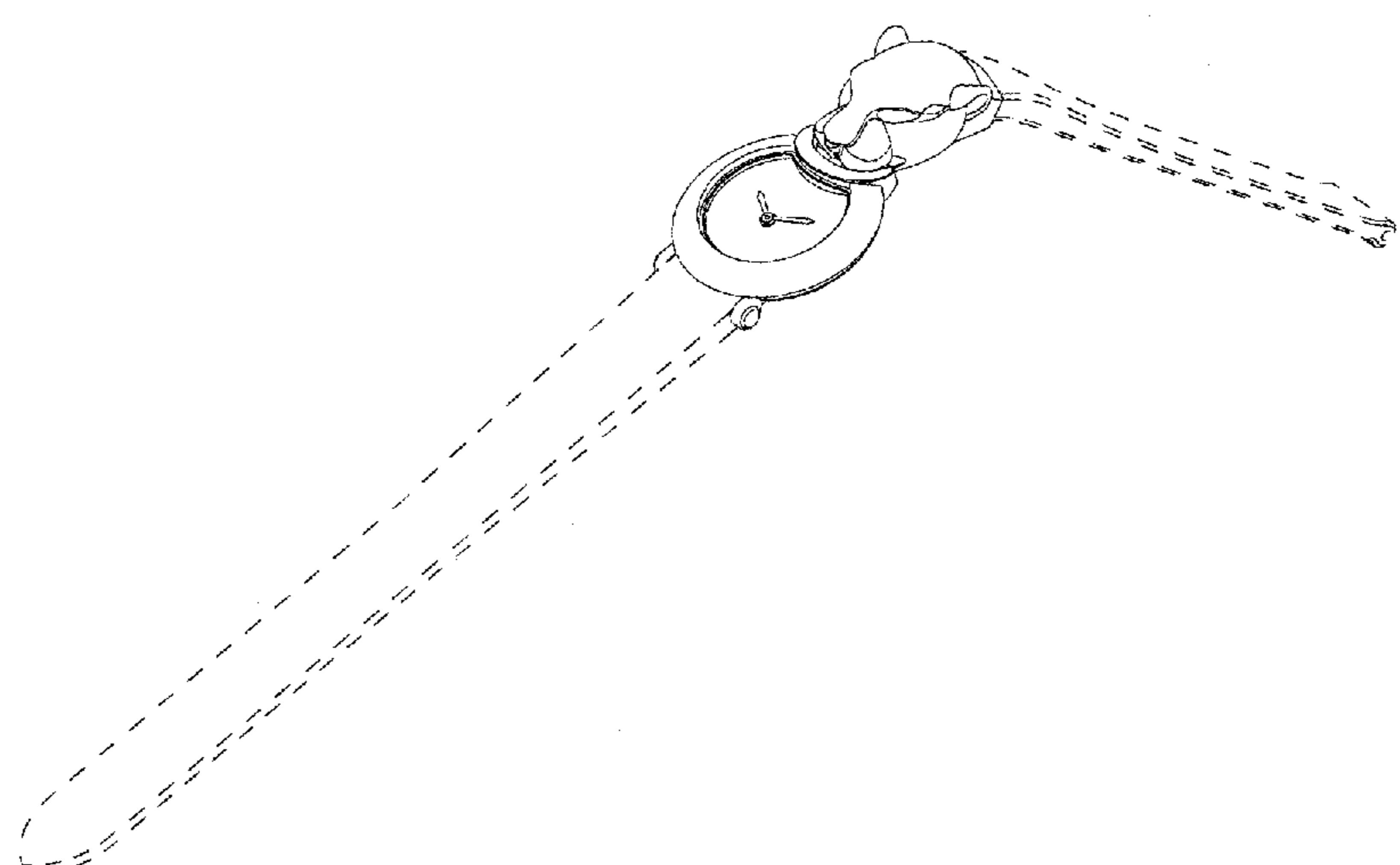
(57) **CLAIM**
The ornamental design for a watch, as shown and described.

DESCRIPTION

FIG. 1 is a front elevational view of a watch showing my new design;
FIG. 2 is a rear elevational view thereof;
FIG. 3 is a left side elevational view thereof;
FIG. 4 is a right side elevational view thereof;
FIG. 5 is a top plan view thereof;
FIG. 6 is a bottom plan view thereof; and,
FIG. 7 is a right front perspective view thereof.
The strap elements depicted by broken lines have been shown for the purpose of illustrating portions of the watch that form no part of the claimed design.

1 Claim, 3 Drawing Sheets

- (56) **References Cited**
U.S. PATENT DOCUMENTS
D17,109 S * 2/1887 Rapp D10/34
D72,359 S * 4/1927 Dinhofer D10/34
D126,610 S * 4/1941 Lerman D10/7
D162,358 S * 3/1951 Spier D10/7



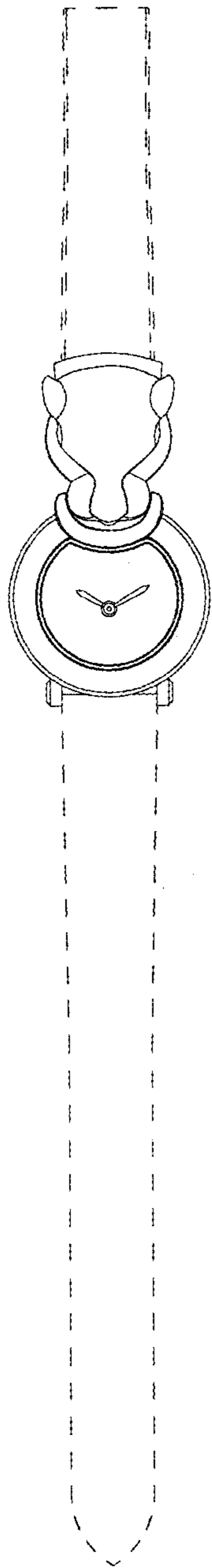


Fig. 1

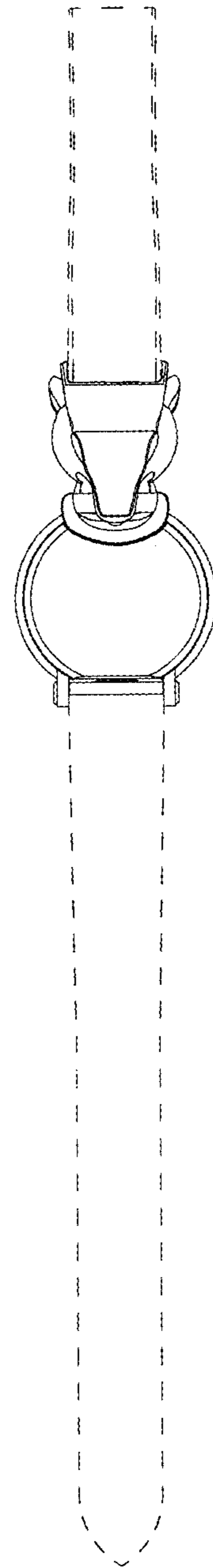


Fig. 2

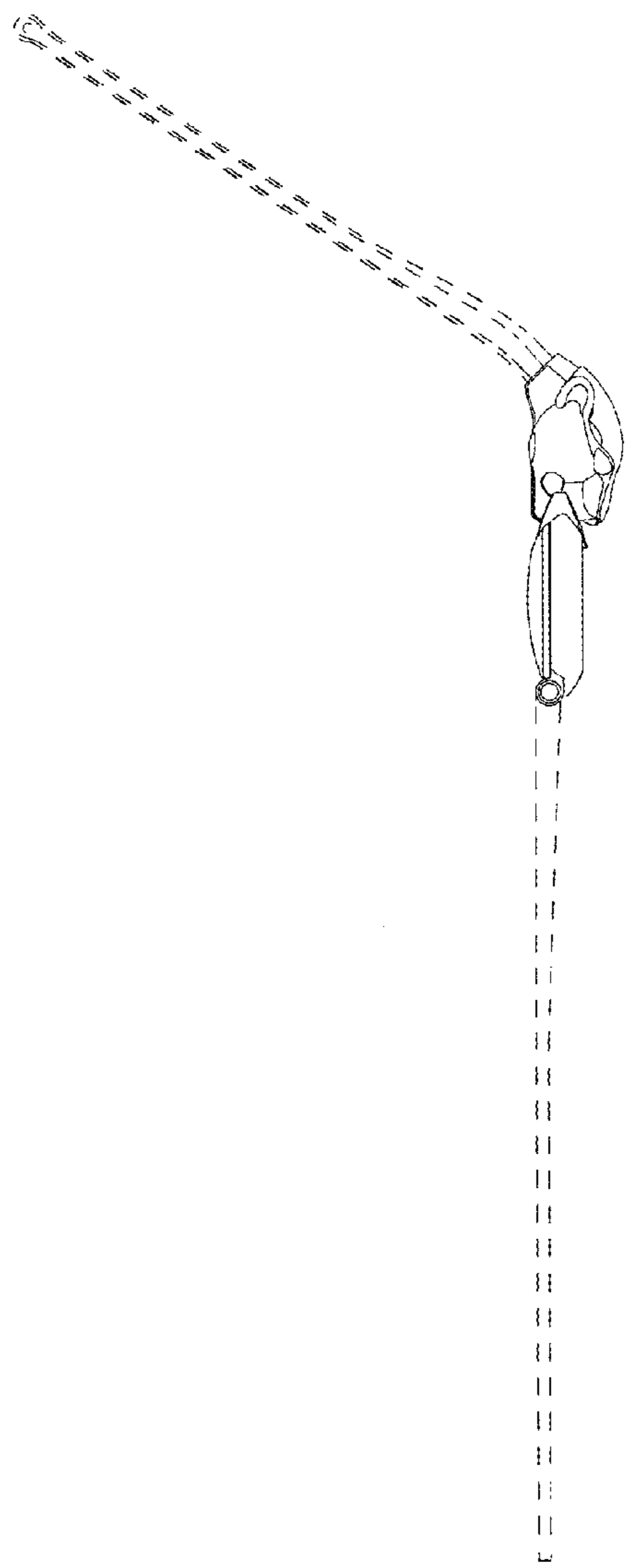


Fig. 3

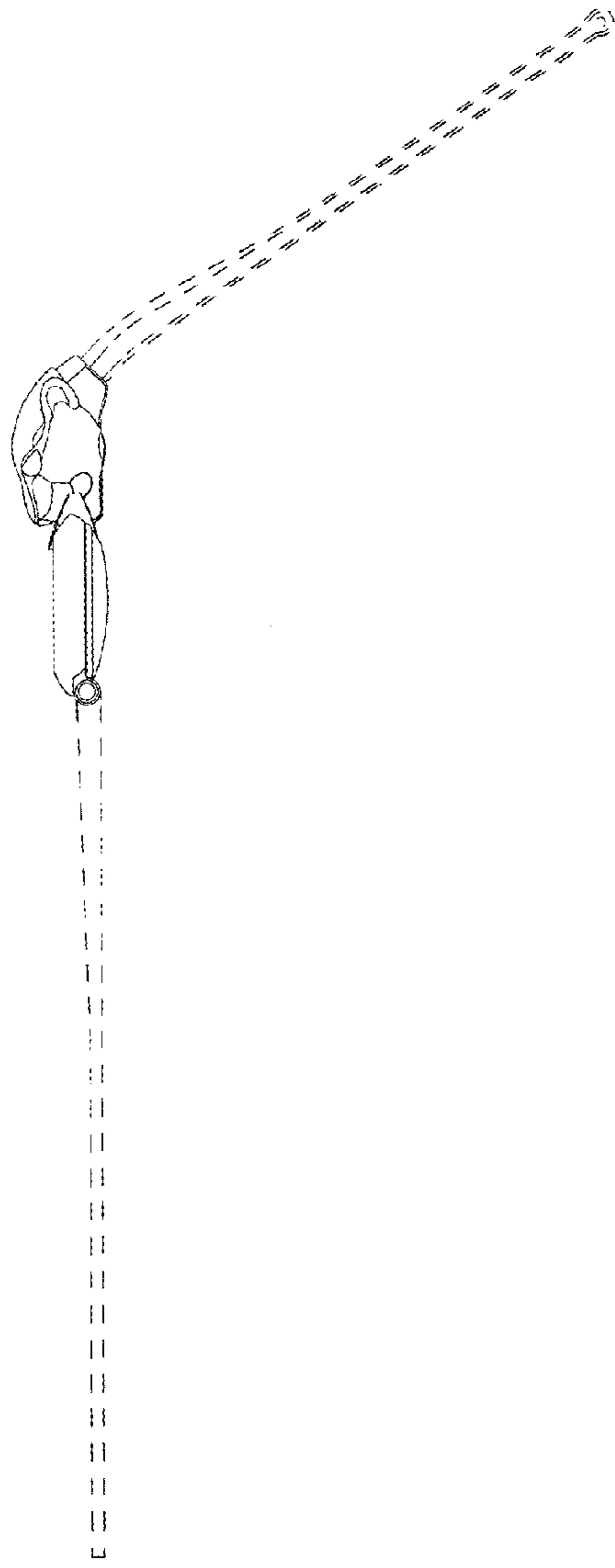


Fig. 4

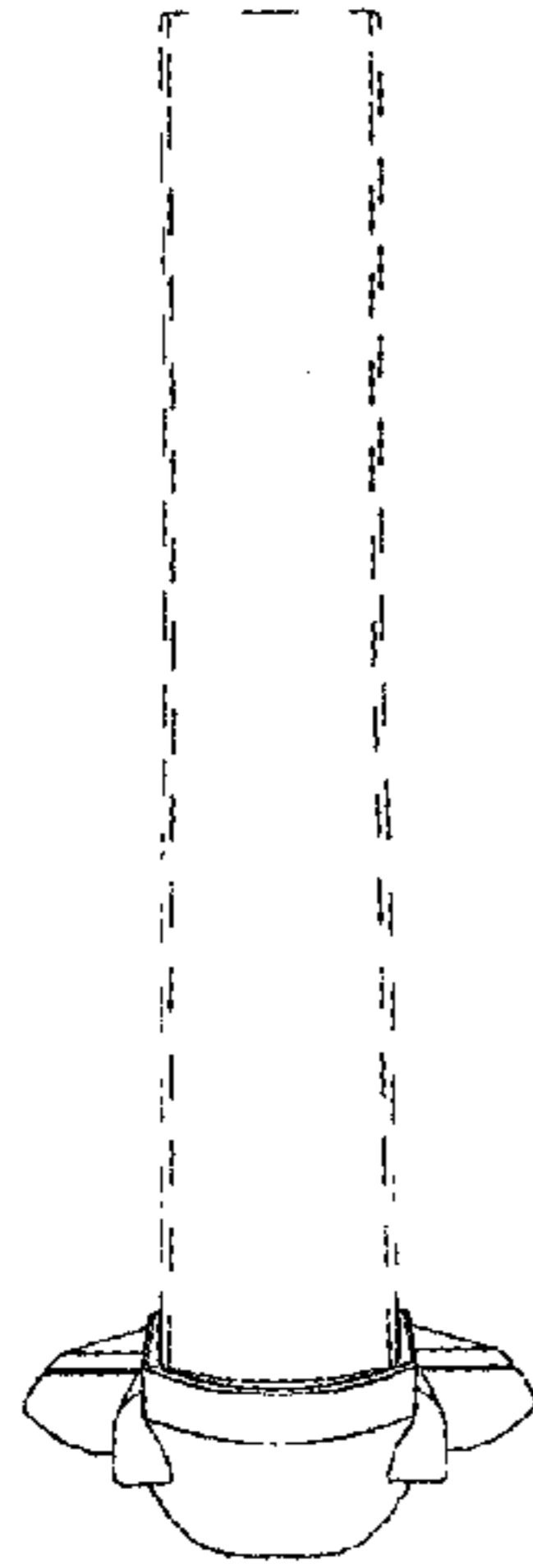


Fig. 5

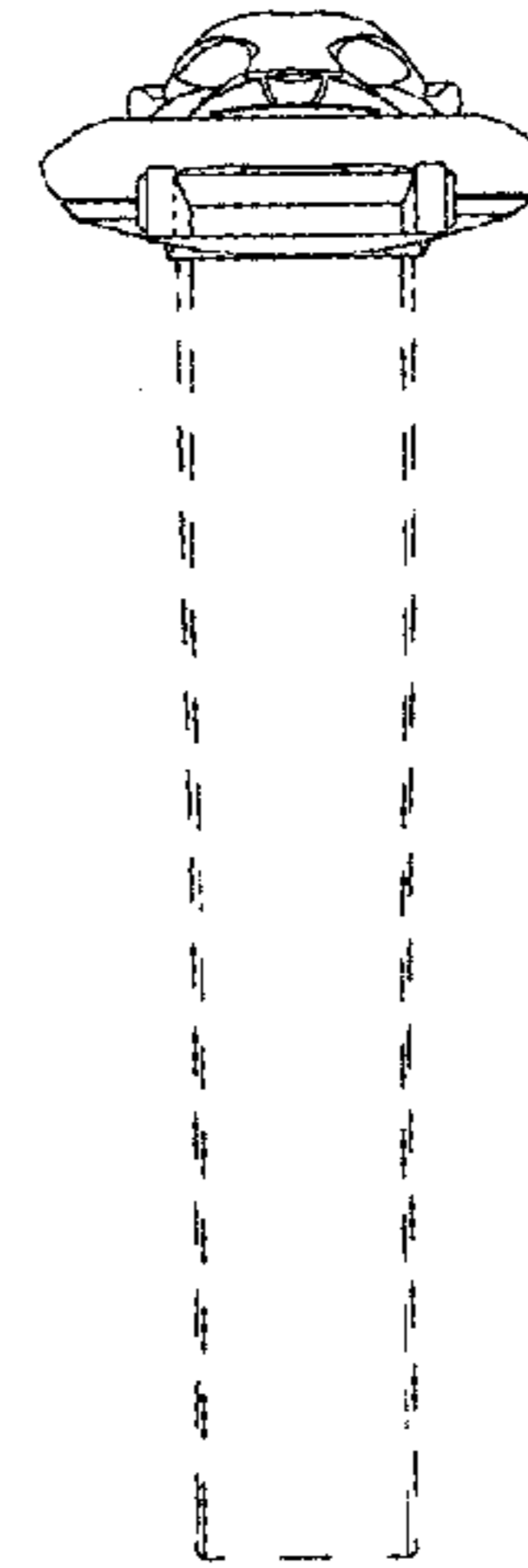


Fig. 6

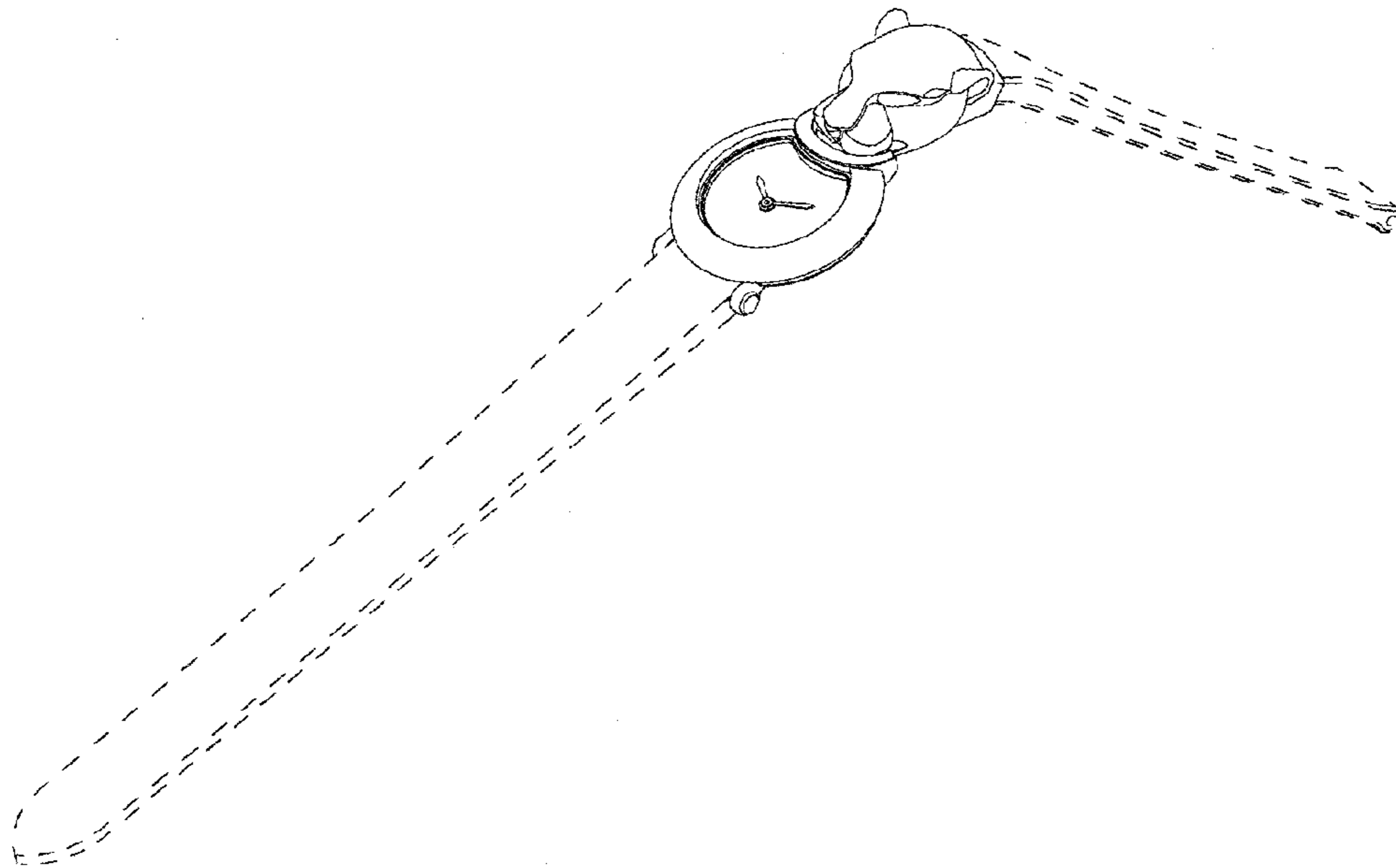


Fig. 7