



US00D759503S

(12) **United States Design Patent**
Terpko et al.

(10) **Patent No.:** **US D759,503 S**
(45) **Date of Patent:** **** Jun. 21, 2016**

- (54) **PAPER PRODUCT DISPENSER**
- (71) Applicants: **Kim J. Terpko**, Snohomish, WA (US);
Eric F. Terpko, Snohomish, WA (US)
- (72) Inventors: **Kim J. Terpko**, Snohomish, WA (US);
Eric F. Terpko, Snohomish, WA (US)
- (**) Term: **14 Years**
- (21) Appl. No.: **29/513,673**
- (22) Filed: **Jan. 5, 2015**
- (51) **LOC (10) Cl.** **09-01**
- (52) **U.S. Cl.**
USPC **D9/734; D6/515**
- (58) **Field of Classification Search**
USPC D9/414, 424, 430, 431, 730, 734;
D3/201, 205, 315, 901; D24/121, 128;
D7/601, 602, 631, 641; 206/205, 210,
206/216, 233, 389, 395, 581, 812; 221/33,
221/36, 45, 46, 47, 52, 199, 255, 259, 305,
221/309; D6/512, 515, 518, 522
CPC B65D 85/00; B65D 81/00; B65D 81/22;
B65D 83/0805; A47K 2010/3266; A47K
10/42; A47K 10/426; G07F 11/00
See application file for complete search history.

- 1,897,143 A * 2/1933 Powell B65D 83/0847
206/395
- D106,826 S * 11/1937 Dieffenbach D9/418
- D135,588 S * 4/1943 Naranick D9/424
- 2,701,089 A * 2/1955 Fischer B65D 5/0245
206/214
- 3,239,097 A * 3/1966 Bates B65D 83/0805
206/494
- 3,259,270 A * 7/1966 Eckles G03D 15/046
221/1
- D212,041 S * 8/1968 Shapira D6/522
- D254,585 S * 4/1980 LeCaire, Jr. D6/573
- 4,212,389 A * 7/1980 Robbins G03B 27/588
206/395
- D263,669 S * 4/1982 Collins D7/631
- 4,412,618 A * 11/1983 La Conte B25H 3/06
132/286
- D284,247 S 6/1986 Fine
- 4,850,486 A * 7/1989 Neibaur B65D 83/0888
206/390
- D316,788 S 5/1991 Fischer et al.
- D321,803 S * 11/1991 Dawson D6/518
- D333,781 S 3/1993 Kobel
- D359,404 S * 6/1995 Svec D6/573
- D372,386 S * 8/1996 Kuchenbecker D6/518
- D376,501 S * 12/1996 Spaseska D6/518
- D378,330 S * 3/1997 Spaseska D6/518
- D446,717 S * 8/2001 Lancaster D9/418
- 6,283,405 B1 * 9/2001 Tracy B65D 83/0805
206/390

(56) **References Cited**

U.S. PATENT DOCUMENTS

- 846,683 A * 3/1907 Moore et al. B65D 71/36
221/283
- 1,143,113 A * 6/1915 Fraver et al. A24F 27/20
221/139
- 1,179,020 A * 4/1916 Marcuse A47K 10/422
221/34
- 1,186,705 A * 6/1916 Swift A47K 10/185
221/302
- 1,215,123 A * 2/1917 Dalton et al. B65D 5/725
221/309
- 1,217,682 A * 2/1917 Baldwin B65D 83/0805
221/46
- 1,226,772 A * 5/1917 Jahn B65D 5/725
221/309
- 1,281,271 A * 10/1918 Baldwin A47K 10/185
221/46
- 1,291,245 A * 1/1919 Swift B65D 85/62
206/499
- 1,379,228 A * 5/1921 Swift A47F 1/08
109/52

(Continued)

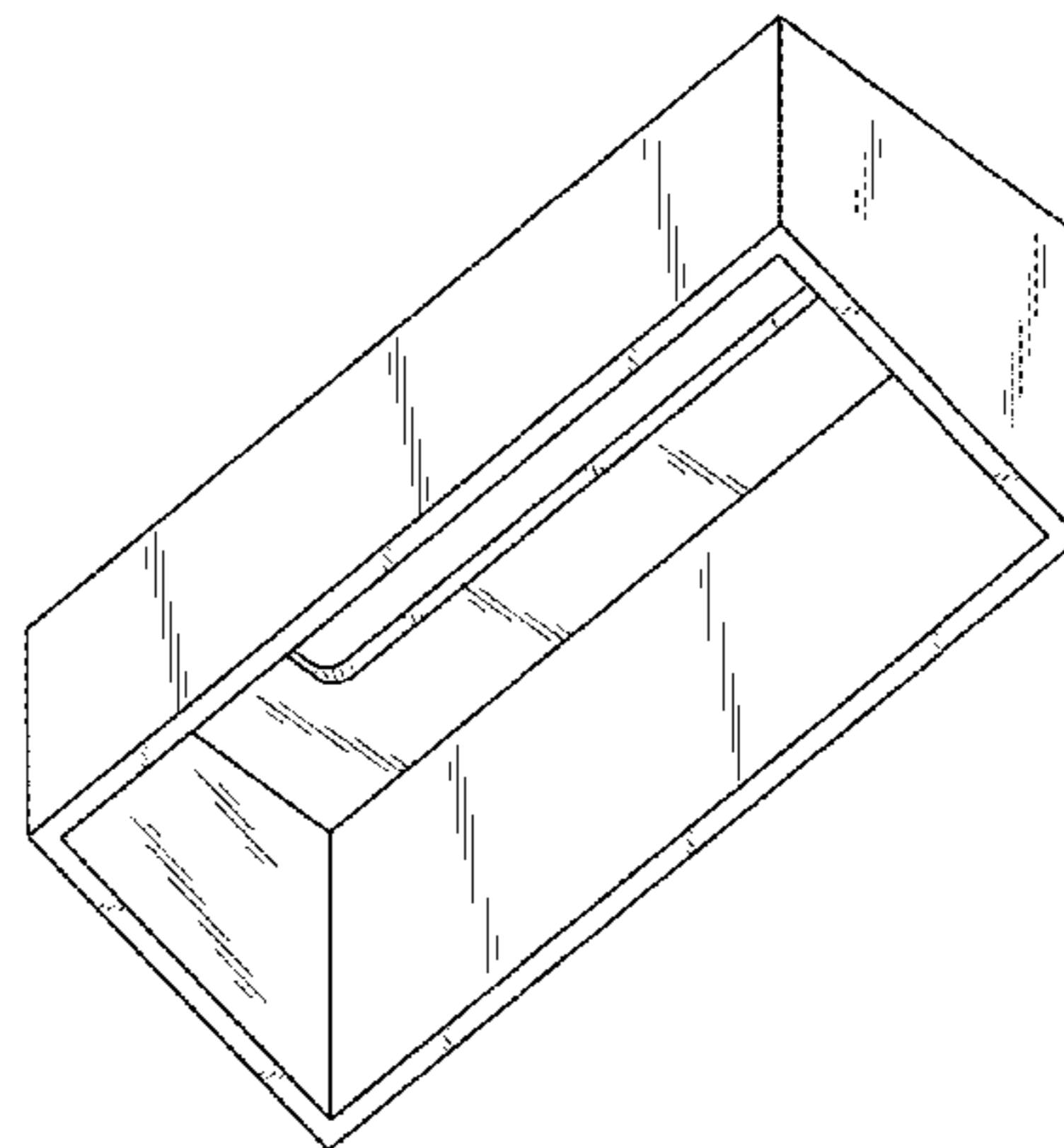
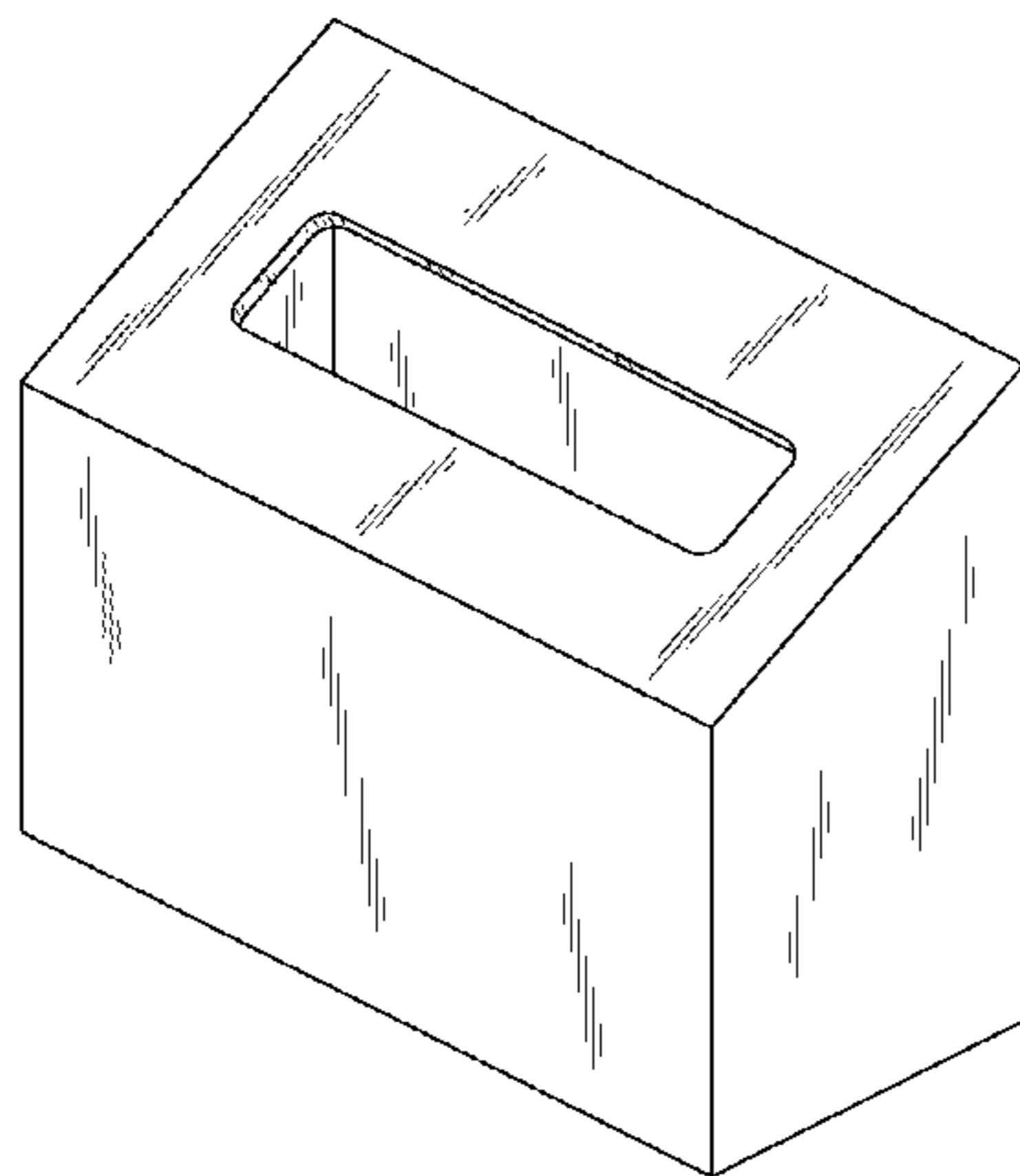
Primary Examiner — Derrick Holland
Assistant Examiner — Lauren Calve
(74) *Attorney, Agent, or Firm* — Dunlap, Bennett & Ludwig
PLLC

(57) **CLAIM**
The ornamental design for a paper product dispenser, as
shown and described.

DESCRIPTION

FIG. 1 is a top front perspective view of a paper product
dispenser;
FIG. 2 is a bottom front perspective view thereof;
FIG. 3 is a front elevation view thereof;
FIG. 4 is a rear elevation view thereof;
FIG. 5 is a left side elevation view thereof; the right side
elevation view being a mirror image thereof;
FIG. 6 is a top plan view thereof; and,
FIG. 7 is a bottom plan view thereof.

1 Claim, 3 Drawing Sheets



(56)

References Cited

U.S. PATENT DOCUMENTS

D474,056 S *	5/2003	Mandell	D6/518	2003/0127352 A1 *	7/2003	Buschkiel	B65D 75/5838
D482,915 S *	12/2003	Yang	D6/515					206/494
D492,594 S *	7/2004	Nash	D9/415	2004/0200854 A1 *	10/2004	Brickwood	A47F 1/04
D525,146 S	7/2006	Young et al.							221/303
D526,165 S *	8/2006	Burns	D7/631	2005/0098464 A1 *	5/2005	Tracy	B65F 1/062
D528,435 S *	9/2006	Keberlein	D9/734					206/395
D552,428 S *	10/2007	Zeiron	D7/631	2006/0273107 A1 *	12/2006	Keberlein	A47K 10/424
D604,602 S *	11/2009	Kohno	D9/418					221/305
D604,996 S *	12/2009	Kuehneman	D7/631	2006/0283752 A1 *	12/2006	Alegre de		
D616,299 S *	5/2010	Mayo	D9/418			Miquel	A47K 10/421
D617,127 S *	6/2010	Wang	D6/518					206/494
D621,188 S *	8/2010	Brock	D6/515	2008/0110918 A1 *	5/2008	Lee	A47K 10/3818
D622,989 S *	9/2010	Lagler	D6/515					221/45
D651,434 S *	1/2012	Conway	D6/515	2008/0264965 A1 *	10/2008	Reinsel	A47K 10/426
D651,831 S *	1/2012	Becherer	D6/518					221/44
D668,160 S *	10/2012	Mkhitaryan	D9/734	2010/0270203 A1 *	10/2010	Khan	A61F 13/02
D668,484 S	10/2012	Velazquez et al.							206/572
D674,223 S	1/2013	Green et al.			2013/0319898 A1 *	12/2013	Osborne, Jr.	A47K 10/424
D675,047 S	1/2013	Green et al.							206/494
8,408,419 B2 *	4/2013	Rippl	A47K 10/42	2014/0014537 A1 *	1/2014	Eshetu	B65D 77/0453
				221/1					206/216
D712,750 S *	9/2014	Glenn	D9/734	2016/0051095 A1 *	2/2016	Ophardt	A47K 5/12
									222/173
					2016/0051330 A1 *	2/2016	Cosentino, II	A61B 19/045
									221/45

* cited by examiner

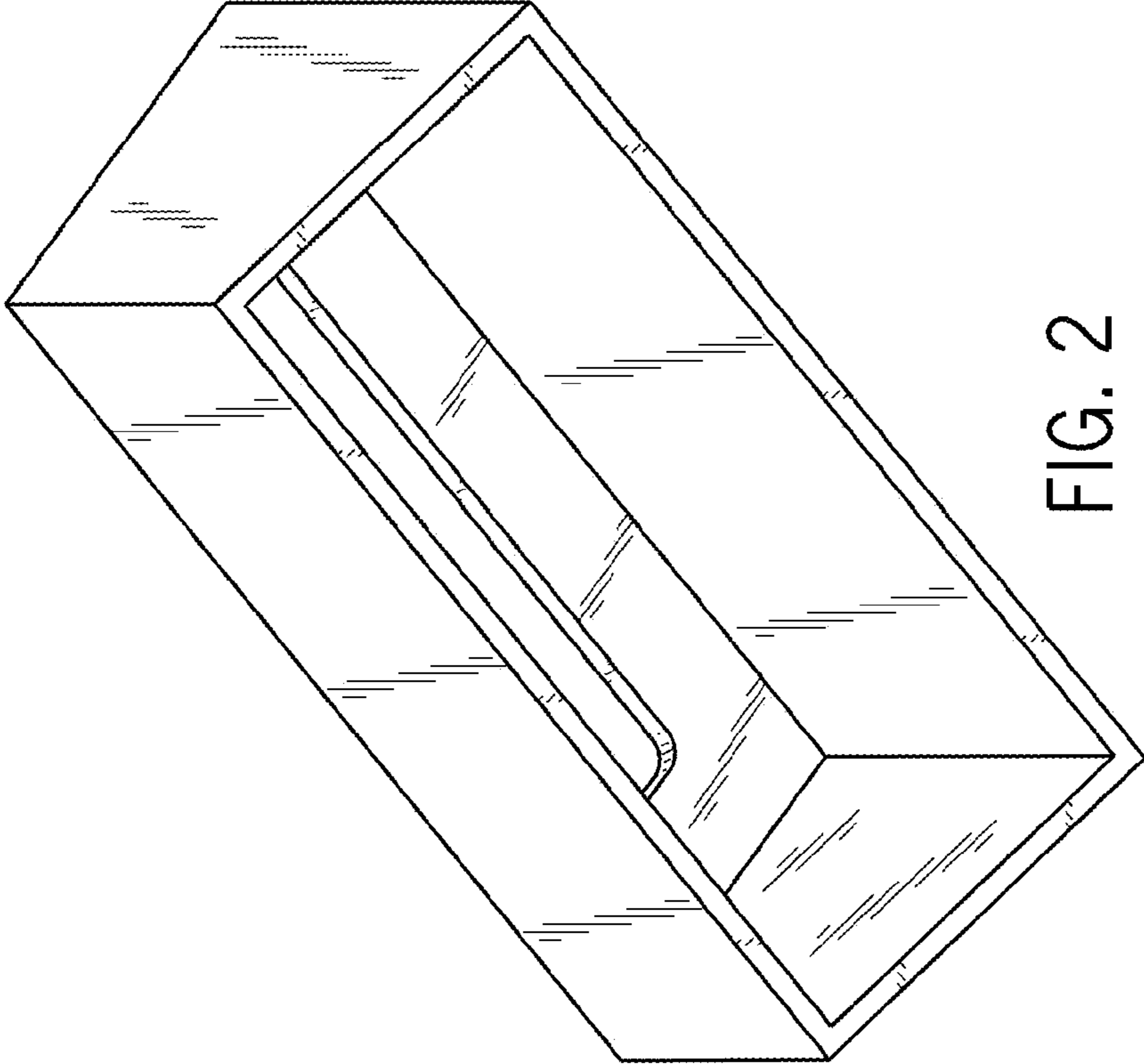


FIG. 2

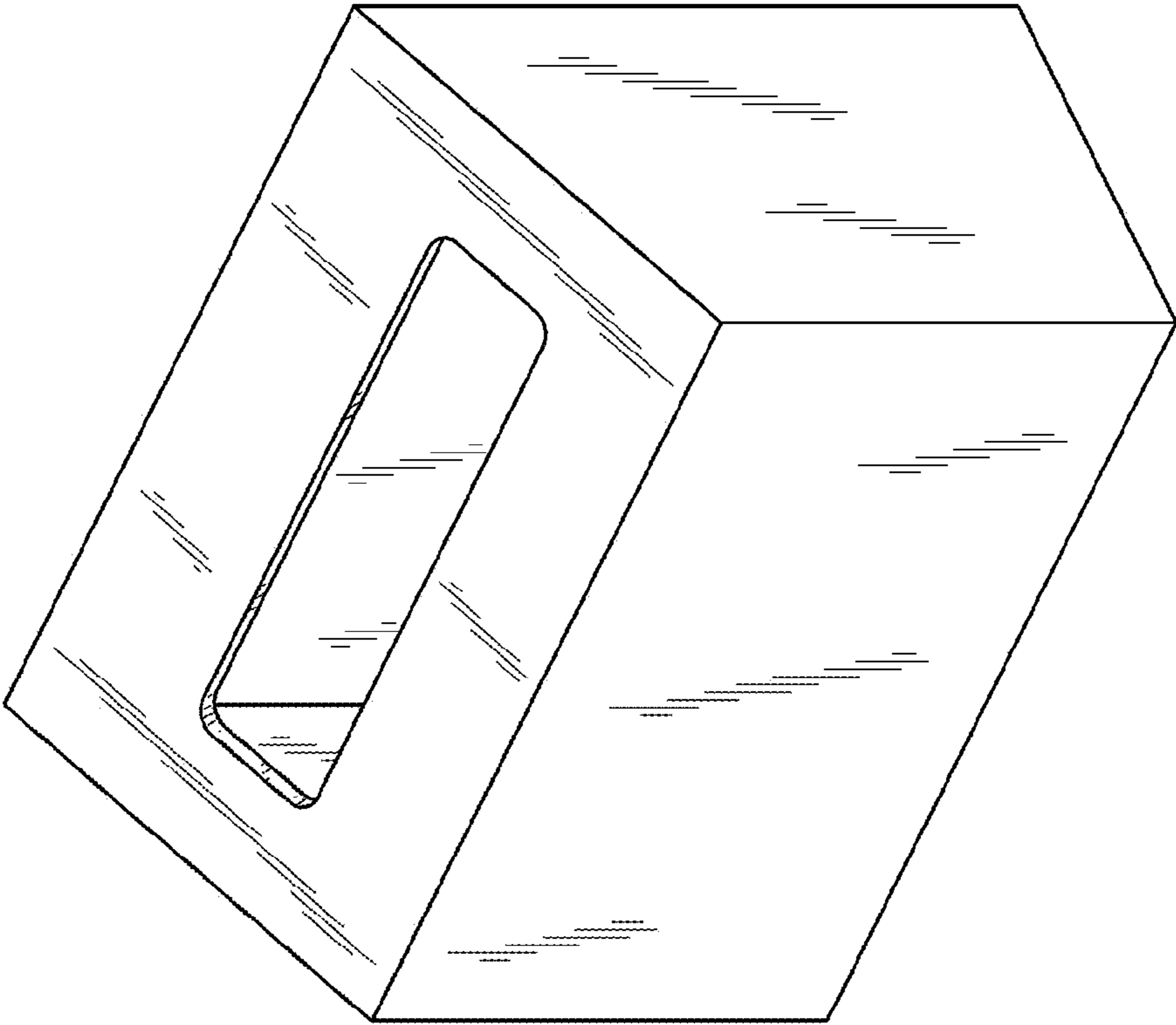


FIG. 1

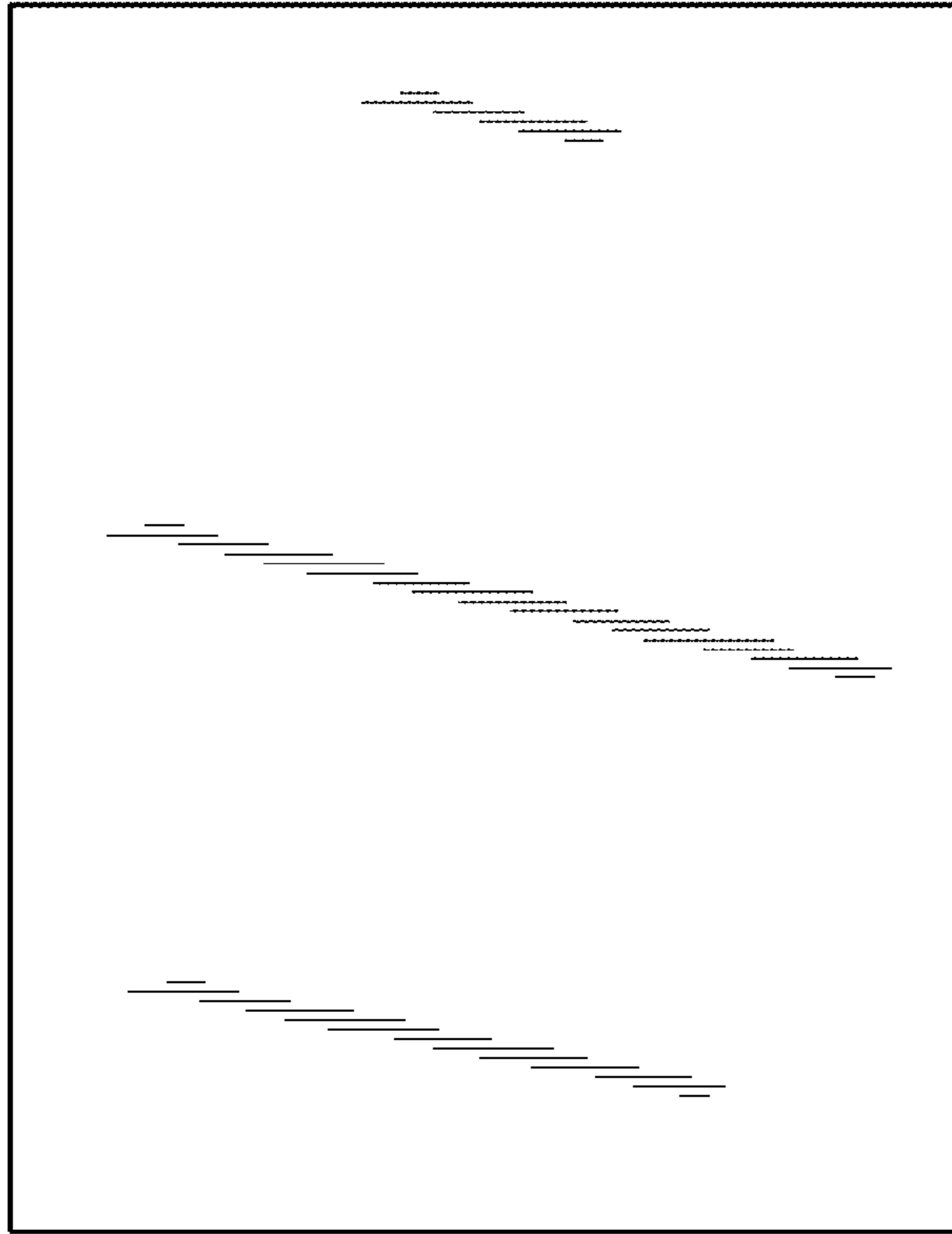


FIG. 4

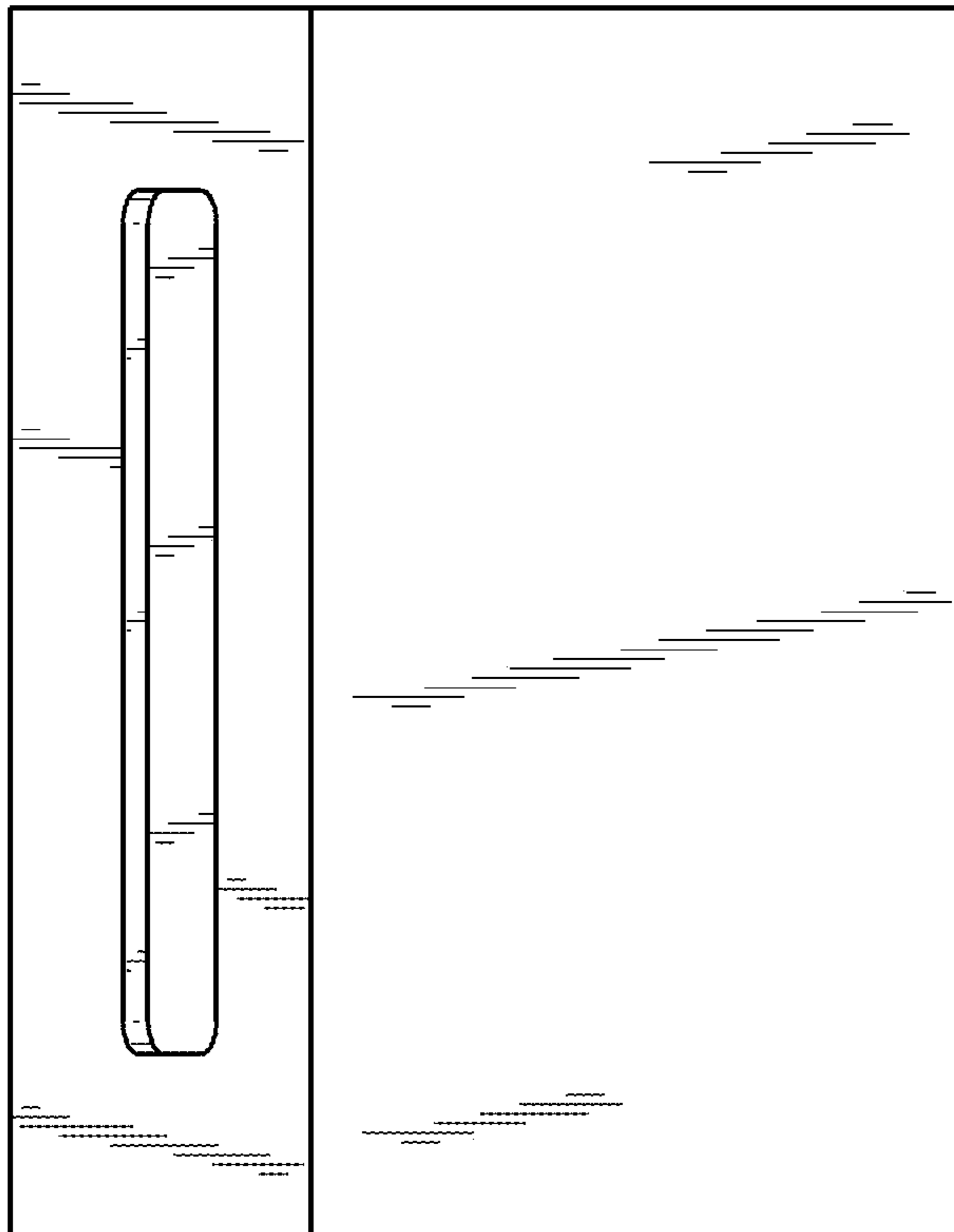


FIG. 3

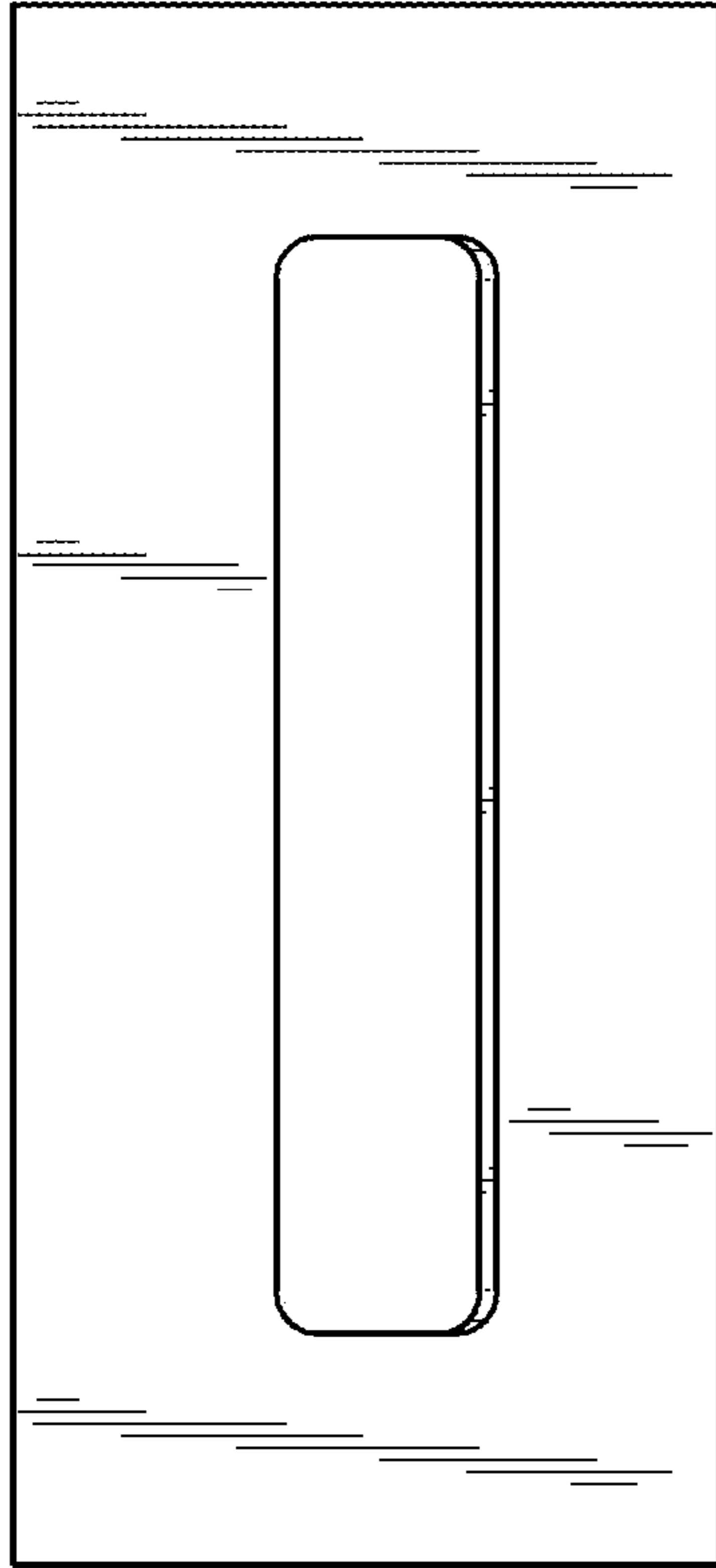


FIG. 6

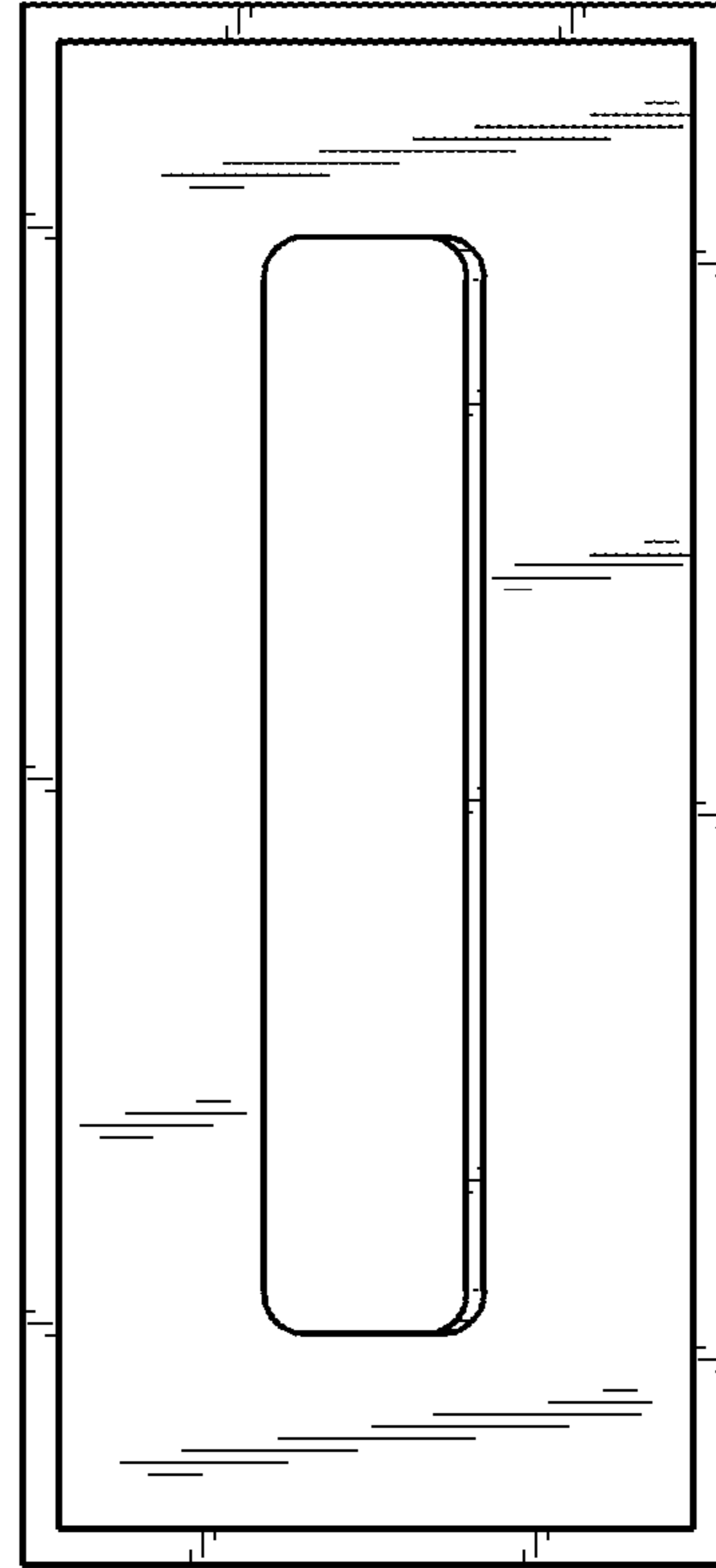


FIG. 7

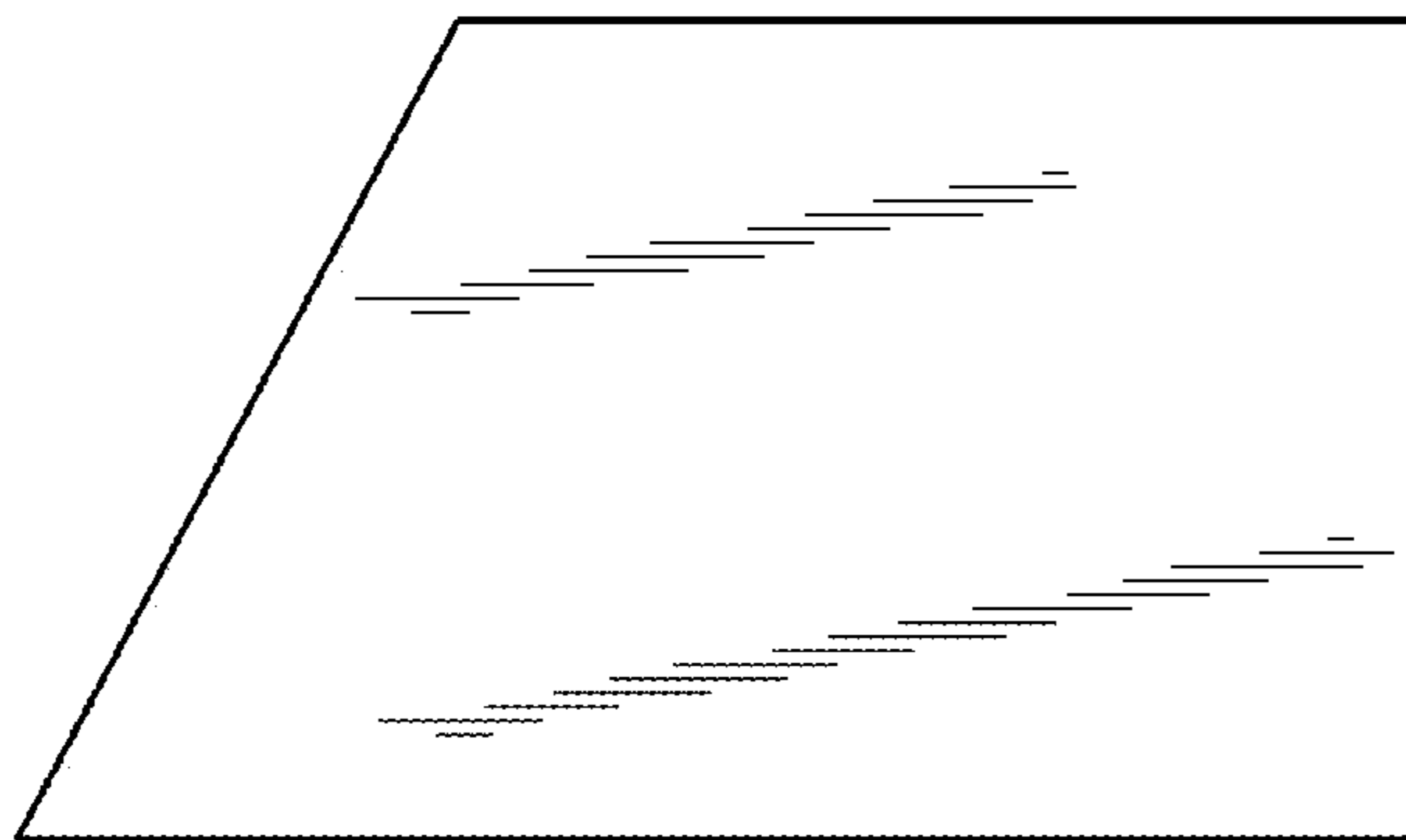


FIG. 5