



US00D759502S

(12) **United States Design Patent**
McGregor

(10) **Patent No.:** **US D759,502 S**
(45) **Date of Patent:** **** Jun. 21, 2016**

- (54) **FRAGRANCE BOTTLE**
- (71) Applicant: **ELC MANAGEMENT LLC**, Melville, NY (US)
- (72) Inventor: **Lance Colin McGregor**, Montclair, NJ (US)
- (73) Assignee: **ELC Management LLC**, Melville, NY (US)

| | | | |
|--------------|---------|-----------|--------|
| D295,610 S | 5/1988 | Mansau | |
| D303,085 S * | 8/1989 | Mednis | D9/516 |
| D309,099 S * | 7/1990 | Cazes | D9/516 |
| D335,444 S | 5/1993 | Marchini | |
| D357,625 S | 4/1995 | Pascolini | |
| D368,854 S * | 4/1996 | Burnett | D9/563 |
| D432,407 S | 10/2000 | Lee | |
| D459,651 S * | 7/2002 | Gagnon | D9/517 |
| D466,412 S * | 12/2002 | Baskinger | D9/432 |

(Continued)

(**) Term: **14 Years**

(21) Appl. No.: **29/523,493**

(22) Filed: **Apr. 10, 2015**

(51) **LOC (10) Cl.** **09-01**

(52) **U.S. Cl.**
USPC **D9/693**

(58) **Field of Classification Search**
USPC D9/600, 631, 635, 640, 649, 651, 660,
D9/682, 683, 684, 685, 686, 687, 693, 694,
D9/719, 516, 517, 522, 529, 530, 544, 562,
D9/566, 567, 568; D28/85, 87, 89-90,
D28/91.1
CPC ... A45D 34/02; A45D 2034/007; B65D 1/00;
B65D 1/0223; B65D 13/02; B65D 83/00;
B65D 83/14; B65D 83/20; B65D 83/38;
B65D 83/384; B65D 2203/00; B65D 2501/00;
B65D 2501/0081

See application file for complete search history.

(56) **References Cited**

U.S. PATENT DOCUMENTS

| | | | |
|--------------|---------|------------|--------|
| D23,466 S * | 7/1894 | Valentine | D9/544 |
| D77,742 S * | 2/1929 | Corontnuff | D9/560 |
| D80,363 S * | 1/1930 | De Wagner | D9/523 |
| D106,982 S * | 11/1937 | Kohl | D9/563 |
| D160,018 S * | 9/1950 | Richman | D19/93 |
| D211,561 S | 7/1968 | Pizzurro | |
| D234,120 S | 1/1975 | Cassin | |

FOREIGN PATENT DOCUMENTS

| | | |
|----|-----------|--------|
| CN | 3659180 | 6/2007 |
| CN | 301992148 | 7/2012 |

(Continued)

Primary Examiner — Catherine Tuttle

(74) *Attorney, Agent, or Firm* — Cynthia R. Miller

(57) **CLAIM**

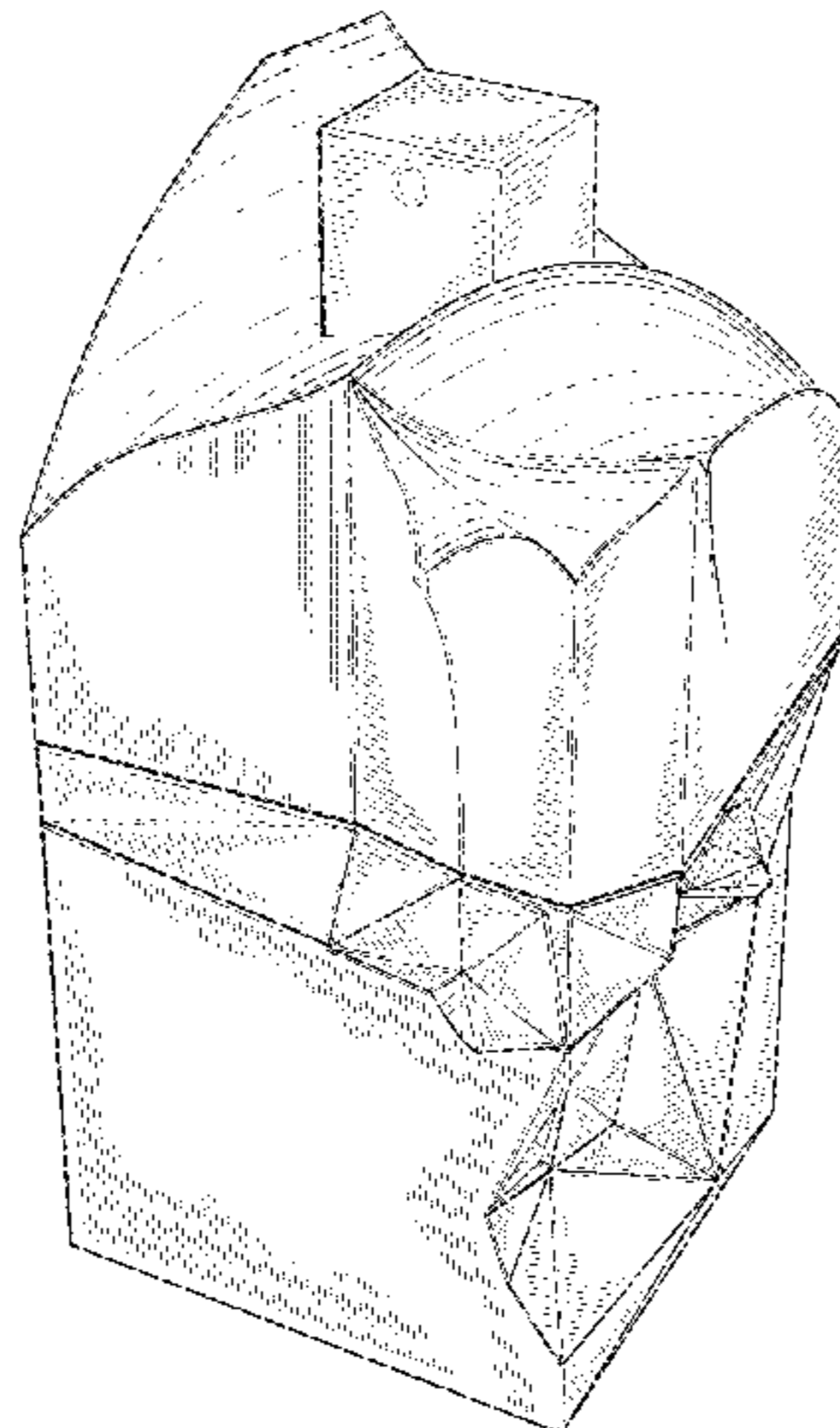
The ornamental design for a fragrance bottle, as shown and described.

DESCRIPTION

FIG. 1 is a top, front and right side perspective view of my new design for a fragrance bottle;
 FIG. 2 is a front elevation view of the fragrance bottle shown in FIG. 1;
 FIG. 3 is a right side elevation view of the fragrance bottle shown in FIG. 1;
 FIG. 4 is a rear elevation view of the fragrance bottle shown in FIG. 1;
 FIG. 5 is a left side elevation view of the fragrance bottle shown in FIG. 1;
 FIG. 6 is a top plan view of the fragrance bottle shown in FIG. 1; and,
 FIG. 7 is a bottom plan view of the fragrance bottle shown in FIG. 1.

The broken lines are included for the purpose of illustrating the nozzle outlet that forms no part of the claimed design.

1 Claim, 7 Drawing Sheets



US D759,502 S

Page 2

(56)

References Cited

U.S. PATENT DOCUMENTS

D470,751 S 2/2003 Mansau
D482,971 S * 12/2003 Durant D9/522
D511,688 S * 11/2005 Baron D9/560
D520,369 S 5/2006 De Monclin
D531,049 S 10/2006 De France
D554,509 S * 11/2007 Ghalebi D9/520
D563,790 S * 3/2008 Fridman D9/522
D589,818 S * 4/2009 Veillet D9/694
D592,072 S * 5/2009 Mansau D9/694

D604,616 S * 11/2009 Farrell D9/516
D674,700 S * 1/2013 Degener D9/530
D675,529 S 2/2013 Jacobs et al.
D713,733 S * 9/2014 Ford D9/548

FOREIGN PATENT DOCUMENTS

CN 302627853 11/2013
CN 302627872 11/2013
CN 302648444 11/2013
WO D-029112-001 5/1994

* cited by examiner

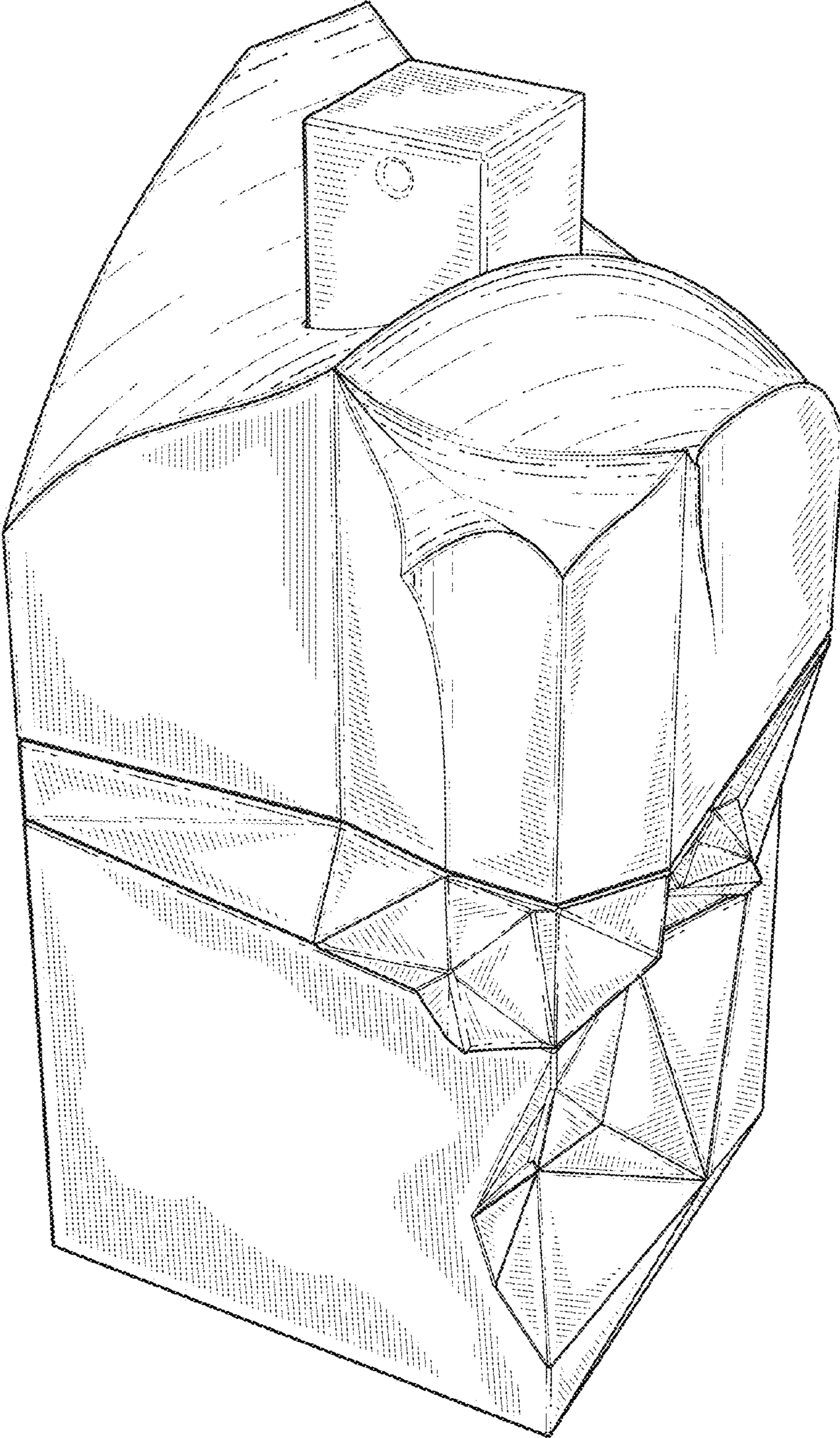


FIG. 1

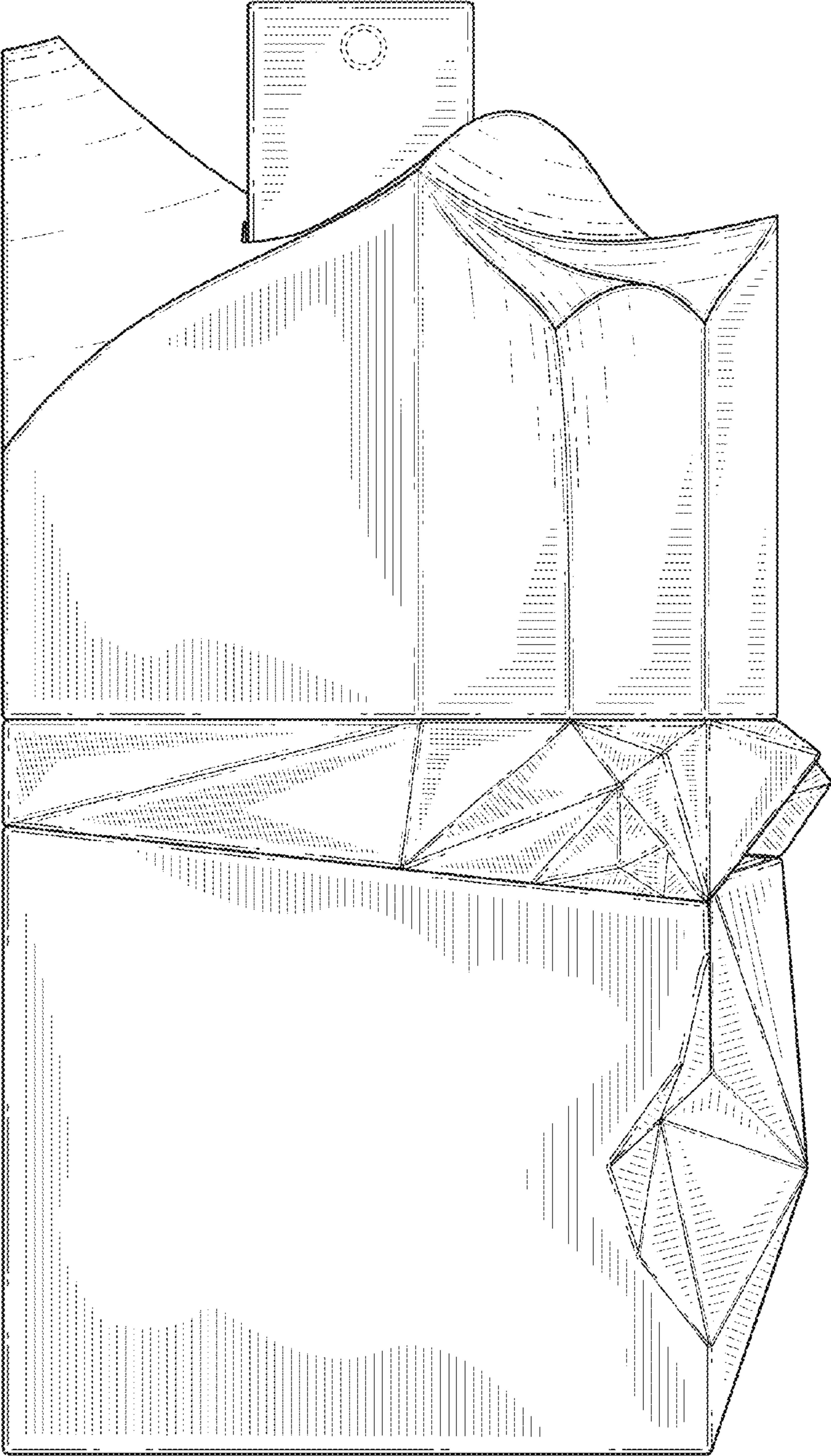


FIG. 2

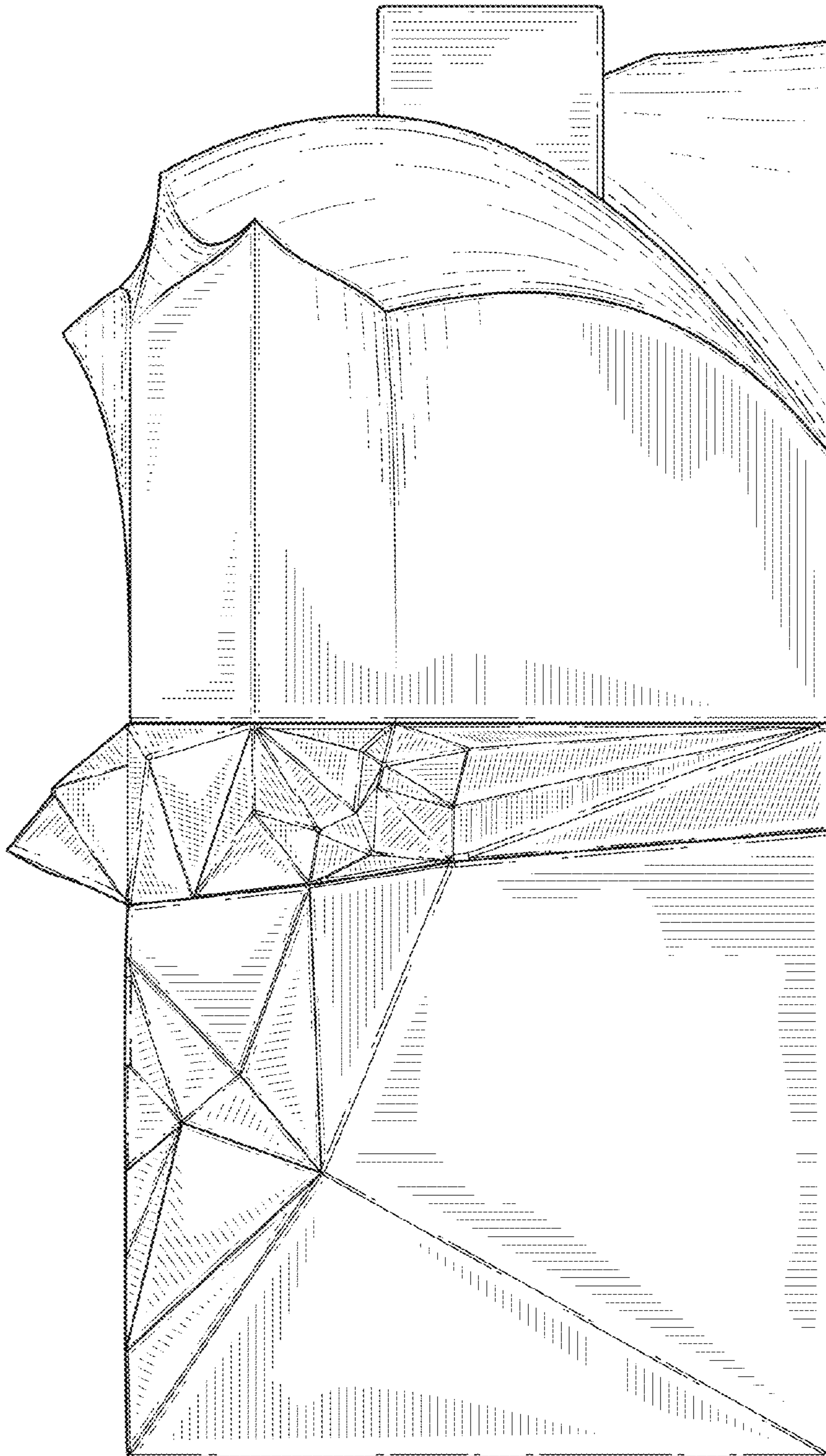


FIG. 3

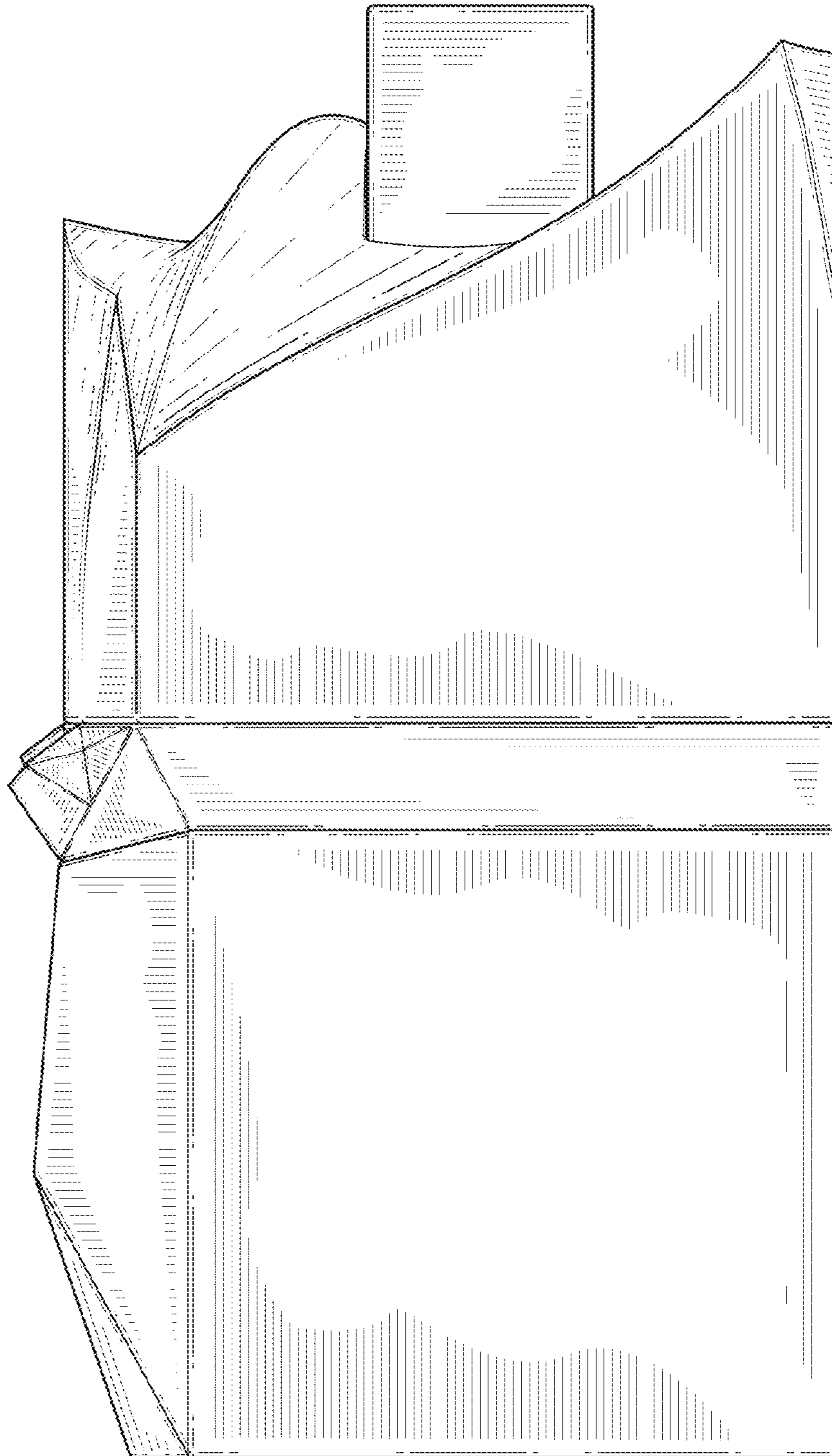


FIG. 4

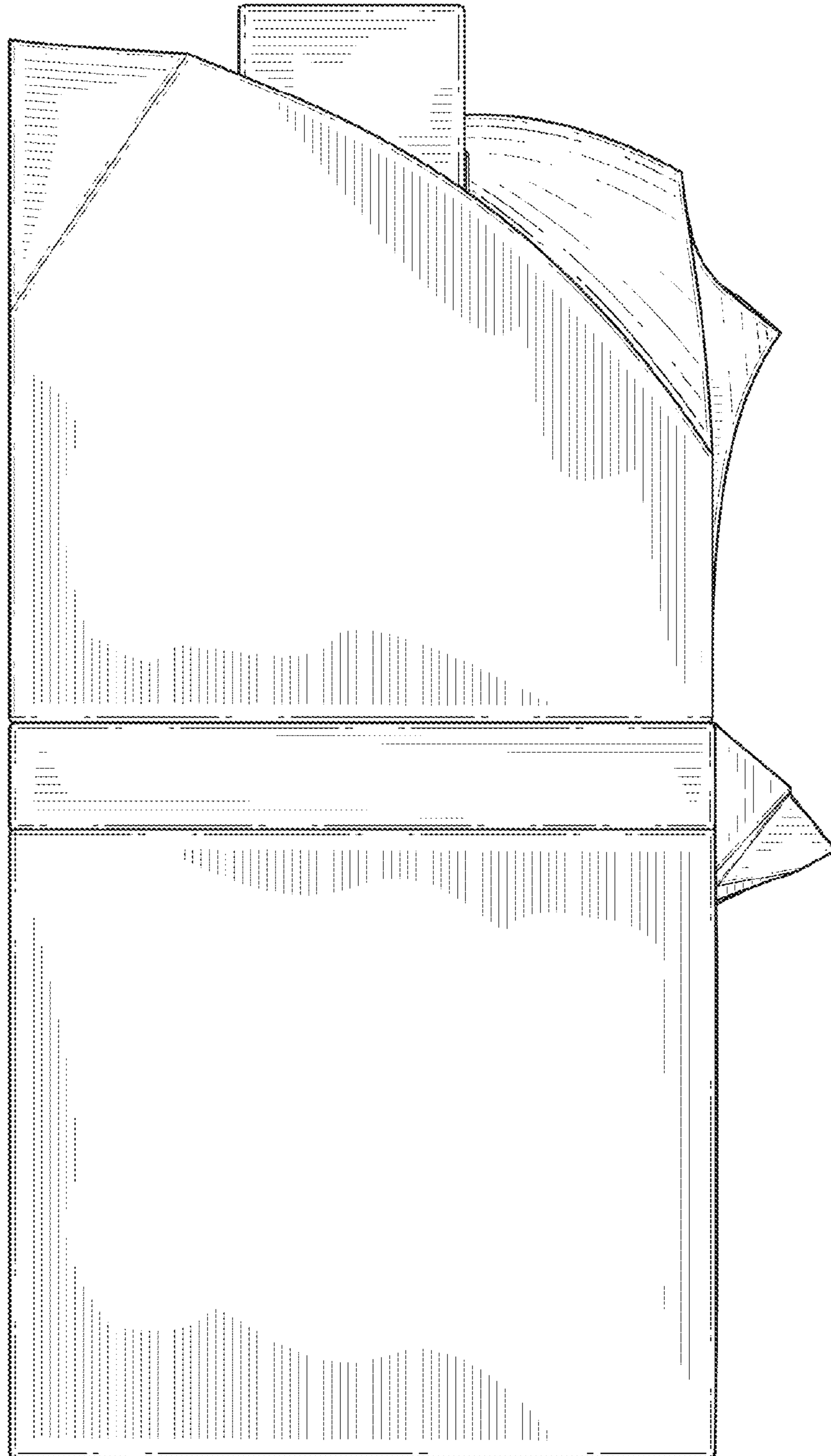


FIG. 5

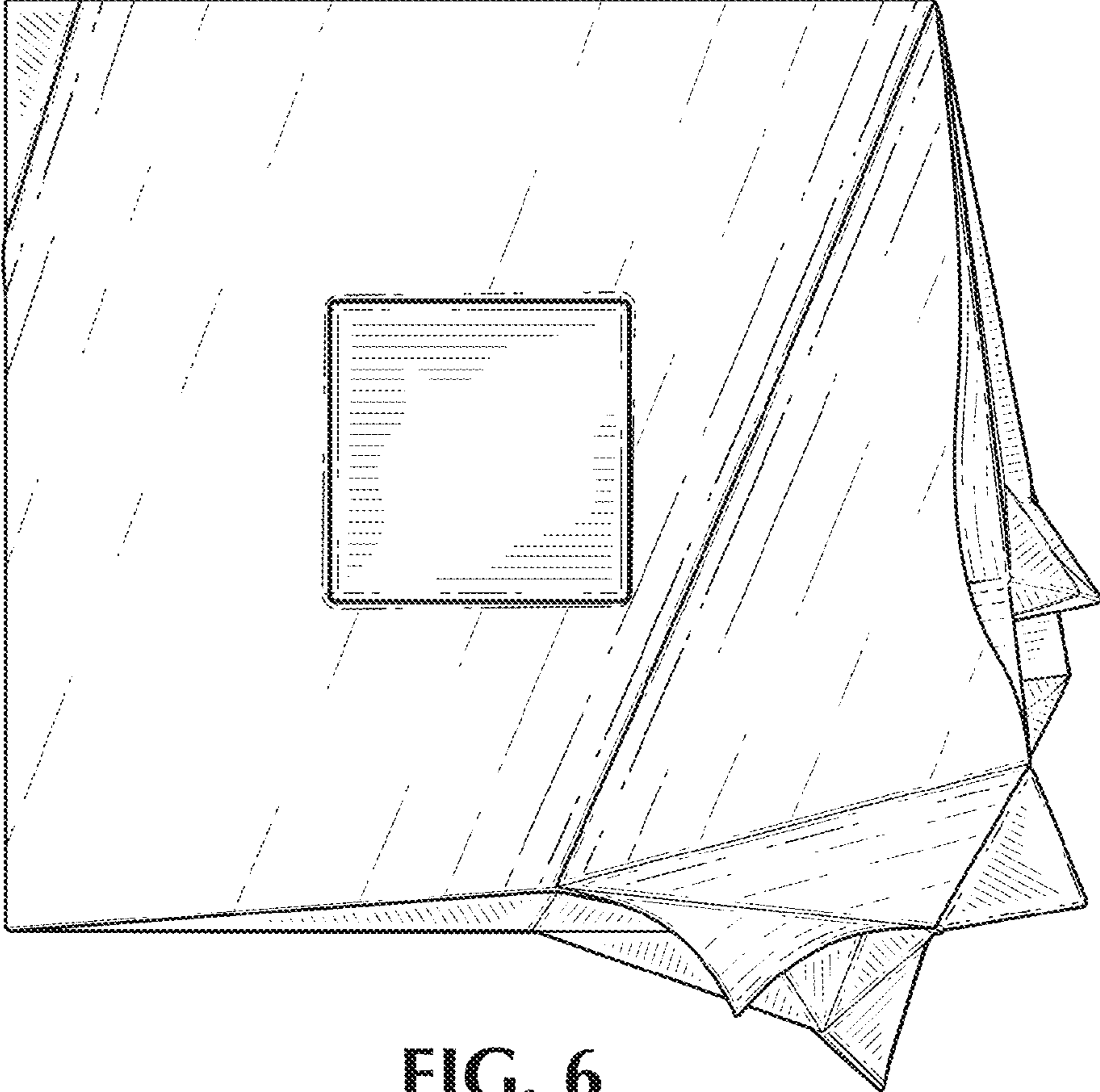


FIG. 6

