



US00D759499S

(12) **United States Design Patent**
Staab et al.

(10) **Patent No.:** **US D759,499 S**
(45) **Date of Patent:** **** Jun. 21, 2016**

(54) **BOTTLE**

(71) Applicant: **MARY KAY INC.**, Dallas, TX (US)

(72) Inventors: **Jenny DeMarco Staab**, Frisco, TX (US); **Tammy Schriewer**, Dallas, TX (US)

(73) Assignee: **Mary Kay Inc.**, Addison, TX (US)

(**) Term: **14 Years**

(21) Appl. No.: **29/504,940**

(22) Filed: **Oct. 10, 2014**

(51) **LOC (10) Cl.** **09-01**

(52) **U.S. Cl.**
USPC **D9/652**; D9/558; D9/520

(58) **Field of Classification Search**
USPC D3/270, 271.1-271.4; D7/514-520,
D7/599, 604, 613, 619.2, 623, 628;
D9/600, 652, 667, 500, 502-505, 516,
D9/537-546, 549-553, 556-557,
D9/574-575; 206/457, 459.5, 527;
215/381-384, 400; 220/288
CPC B65D 5/4258; B65D 81/60; B65D 81/365;
B65D 81/366; B65D 81/368; B65D 2203/00;
B65D 2302/02

See application file for complete search history.

(56) **References Cited**

U.S. PATENT DOCUMENTS

D92,911 S * 7/1934 Kennedy D9/545
D197,919 S 4/1964 Runyon D9/500

(Continued)

Primary Examiner — Sandra Morris

(74) *Attorney, Agent, or Firm* — Norton Rose Fulbright US LLP

(57) **CLAIM**

The ornamental design for a bottle, as shown and described.

DESCRIPTION

FIG. 1 is a top perspective view of a first embodiment of a bottle illustrating our design;

FIG. 2 is a front view of the bottle shown in FIG. 1;

FIG. 3 is a back view of the bottle shown in FIG. 1;

FIG. 4 is a left side view of the bottle shown in FIG. 1;

FIG. 5 is a right side view of the bottle shown in FIG. 1;

FIG. 6 is a top view of the bottle shown in FIG. 1;

FIG. 7 is a bottom view of the bottle shown in FIG. 1;

FIG. 8 is a top perspective view of a second embodiment of a bottle illustrating our design that differs from the first embodiment of FIGS. 1-7 in that the cap is shown in dashed lines, otherwise the design of the bottle is the same as the first embodiment;

FIG. 9 is a top perspective view of a third embodiment of a bottle illustrating our design;

FIG. 10 is a front view of the bottle shown in FIG. 9;

FIG. 11 is a back view of the bottle shown in FIG. 9;

FIG. 12 is a left side view of the bottle shown in FIG. 9;

FIG. 13 is a right side view of the bottle shown in FIG. 9;

FIG. 14 is a top view of the bottle shown in FIG. 9;

FIG. 15 is a bottom view of the bottle shown in FIG. 9; and,

FIG. 16 is a top perspective view of a fourth embodiment of a bottle illustrating our design that differs from the third embodiment of FIGS. 9-15 in that the cap is shown in dashed lines, otherwise the design of the bottle is the same as the third embodiment.

The dashed lines in FIGS. 8 and 16 form no part of the claimed design. All other surfaces and portions of the bottle in FIGS. 1-16 not shown in the figures or otherwise described in the specification form no part of the claimed design.

1 Claim, 12 Drawing Sheets



(56)

References Cited

U.S. PATENT DOCUMENTS

D213,355 S	2/1969	Kneapler	D9/558	D498,422 S	*	11/2004	Theunynck	D9/550
D259,397 S	6/1981	Kerns	D9/503	D499,338 S		12/2004	Mulder et al.	D9/500
D276,889 S	12/1984	Biesecker	D9/500	D502,110 S	*	2/2005	Theunynck	D9/550
D281,670 S	12/1985	Thieffry	D9/503	D504,070 S		4/2005	Mohary et al.	D9/571
D315,097 S	3/1991	Sgariboldi	D9/567	D507,182 S		7/2005	Maddy	D9/504
D315,499 S	3/1991	Burand	D9/574	D508,208 S		8/2005	Ozaki et al.	D9/688
D322,029 S	12/1991	Caputo	D9/558	D509,433 S		9/2005	Trayser et al.	D9/501
D332,053 S	12/1992	Sabbia	D9/549	D530,622 S		10/2006	Geiberger	D9/688
D336,046 S	6/1993	Donoghue	D9/547	D536,976 S		2/2007	Ciulla et al.	D9/500
D342,453 S	12/1993	Segati	D9/574	D553,499 S		10/2007	Lavelli	D9/500
D347,571 S	6/1994	Wacker	D9/688	D554,519 S		11/2007	Varlet	D9/558
D348,004 S	6/1994	Grassl	D9/500	D556,038 S		11/2007	Chupak	D9/500
D349,857 S	8/1994	Lonczak et al.	D9/558	D564,882 S		3/2008	Crawford et al.	D9/516
D353,771 S	12/1994	Klitsner	D9/500	D568,745 S		5/2008	Bradley et al.	D9/500
D353,775 S	12/1994	Thompson	D5/545	D573,470 S		7/2008	Bradley et al.	D9/516
D357,412 S	4/1995	Vasas	D9/503	D575,154 S		8/2008	Andrews et al.	D9/500
D362,187 S	9/1995	Thomson	D9/500	D576,495 S		9/2008	Slubski	D9/537
D375,052 S	10/1996	Lathrop et al.	D9/558	D577,599 S		9/2008	Moretti	D9/560
D375,675 S	11/1996	Luzzi et al.	D9/689	D585,745 S		2/2009	Hondawa	D9/500
D375,895 S	11/1996	Miller	D9/691	D587,591 S		3/2009	Crawford	D9/563
D378,665 S	4/1997	Fenton et al.	D9/558	D589,358 S		3/2009	Crawford	D9/563
D380,390 S	7/1997	Varlet	D9/558	D589,799 S		4/2009	McEwan	D9/503
D381,915 S	8/1997	Dinand	D9/545	D591,596 S		5/2009	Rica	D9/500
D386,090 S	11/1997	De Giovellina	D9/544	D593,860 S		6/2009	Bradley et al.	
D393,596 S	4/1998	Kotyuk	D9/558	D594,335 S		6/2009	Voss et al.	D9/519
D398,242 S	9/1998	Fling et al.	D9/545	D596,950 S		7/2009	Nevins et al.	D9/690
D404,312 S	1/1999	Granai	D9/558	D601,424 S	*	10/2009	Rica	D9/500
D414,427 S	9/1999	Maddy	D9/558	D603,706 S		11/2009	Wolff et al.	D9/500
D415,032 S	10/1999	Gaskey	D9/522	D604,633 S		11/2009	Stearns	D9/674
D419,454 S	1/2000	Kokenge et al.	D9/574	D607,742 S		1/2010	Kuzma et al.	D9/558
D421,572 S	3/2000	Herrmann	D9/503	D610,021 S		2/2010	Kinoshita et al.	D9/686
D424,444 S	5/2000	Lefebvre	D9/503	D613,174 S		4/2010	Pecora	D9/529
D425,432 S	5/2000	Lewin	D9/558	D624,417 S		9/2010	Bentley et al.	D9/500
D426,768 S	6/2000	Gattineri	D9/690	D629,692 S		12/2010	Lauret	D9/500
D428,579 S	7/2000	Waitzenegger	D9/544	D633,798 S		3/2011	Cresswell et al.	D9/500
D429,649 S	*	8/2000	Kotyuk	D633,799 S		3/2011	Cresswell et al.	D9/500
6,095,378 A		8/2000	Potts et al.	D635,856 S		4/2011	Lauret	D9/500
D431,779 S	10/2000	Nosella	D5/520	D635,857 S		4/2011	Lauret	D9/500
D434,663 S	12/2000	Jones et al.	D9/516	D640,559 S		6/2011	Llerena	D9/500
D434,670 S	12/2000	Bernard	D9/545	D642,058 S		7/2011	Runningen	D9/500
D437,559 S	2/2001	Fenton et al.	D9/558	D643,743 S		8/2011	Yu	D9/689
D438,120 S	2/2001	Flurer et al.	D9/558	D646,572 S		10/2011	Koeleman	D9/500
D440,499 S	4/2001	Bernard	D9/516	D646,583 S		10/2011	Mongeon et al.	D9/689
D443,821 S	6/2001	Bakic	D9/500	D651,086 S		12/2011	Gullickson et al.	D9/504
D444,389 S	7/2001	Bakic	D9/539	D653,958 S		2/2012	Lauret	D9/558
D444,392 S	7/2001	Dalmau	D9/549	D655,172 S		3/2012	Brooks et al.	D9/522
D445,328 S	7/2001	Boussiquet et al.	D9/691	D658,993 S		5/2012	Gill et al.	D9/500
D448,300 S	9/2001	Walters et al.	D9/520	D659,010 S		5/2012	Oommen et al.	D9/600
D449,230 S	10/2001	Harris et al.	D9/588	D670,177 S	*	11/2012	Lario Rivas	D9/500
D459,657 S	7/2002	Estep	D9/500	D671,004 S		11/2012	Kelly et al.	D9/500
D460,348 S	7/2002	Crawford et al.	D9/682	D671,838 S		12/2012	Potts	D9/545
D468,214 S	1/2003	Kuzma et al.	D9/558	D673,058 S		12/2012	Park	D9/724
D489,627 S	5/2004	Klitsner et al.	D9/502	D673,059 S		12/2012	Park	D9/724
D490,321 S	5/2004	Durant et al.	D9/551	D675,533 S		2/2013	Oommen et al.	D9/539
D491,066 S	6/2004	Le Goff	D9/500	D675,923 S	*	2/2013	Bru	D9/652
D497,809 S	11/2004	Fenton et al.	D9/500	D682,697 S		5/2013	Gonzalez Rodriquez	D9/500
				D684,065 S	*	6/2013	Wiseman	D9/500
				D696,955 S	*	1/2014	Kelly	D9/544

* cited by examiner

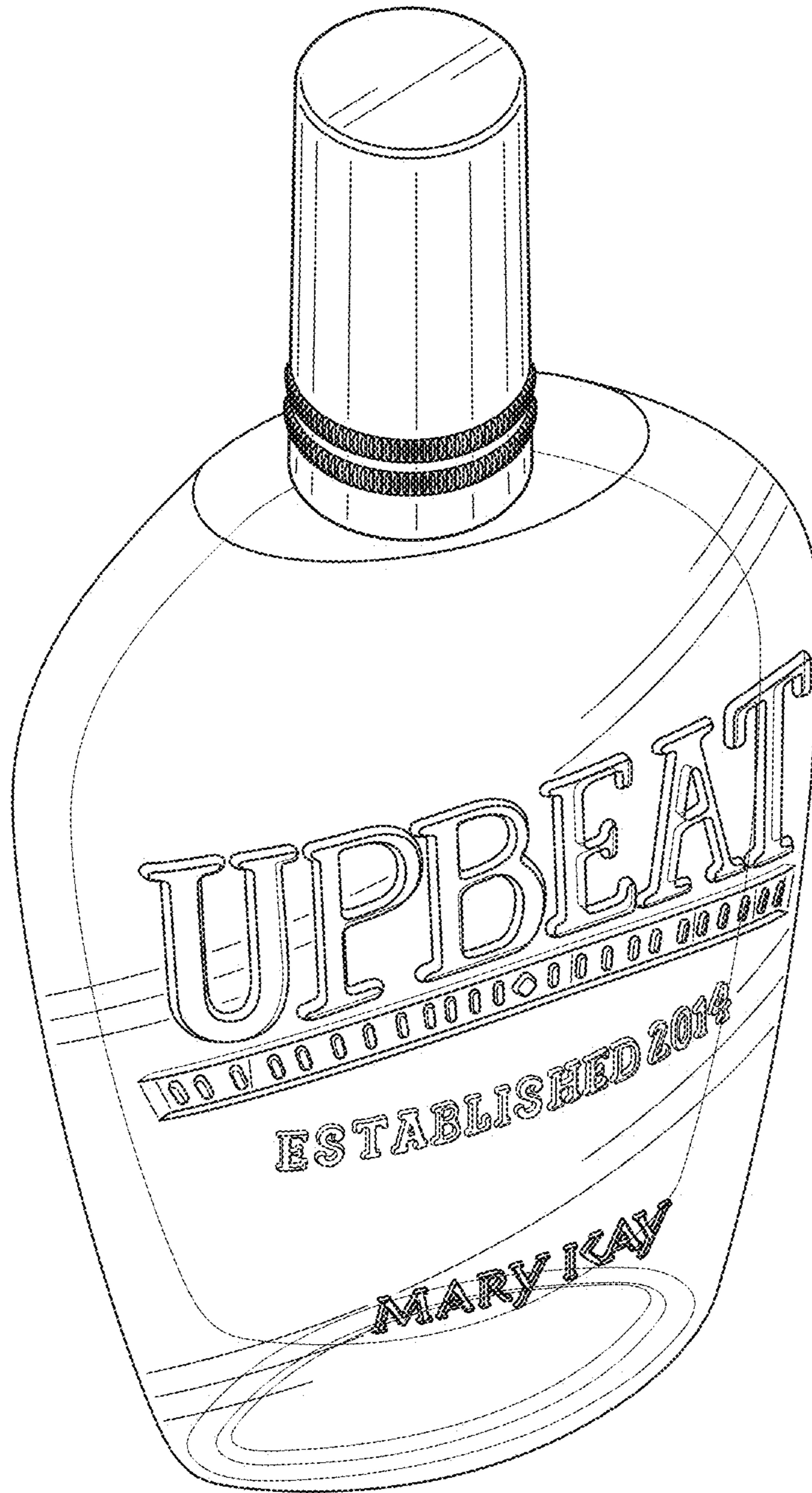


FIG. 1



FIG. 2



FIG. 3

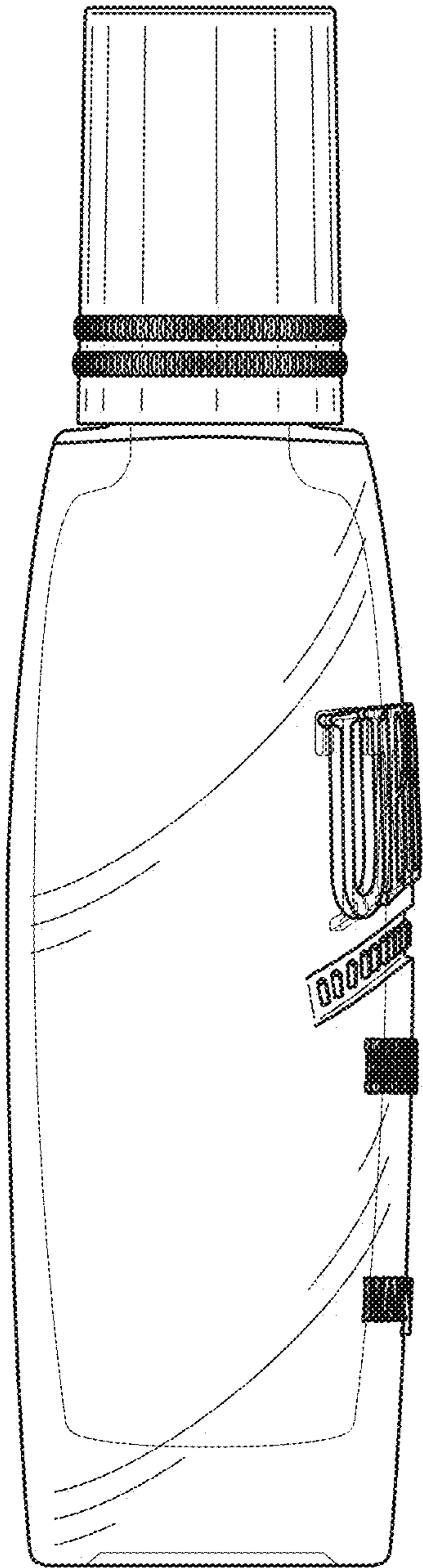


FIG. 4

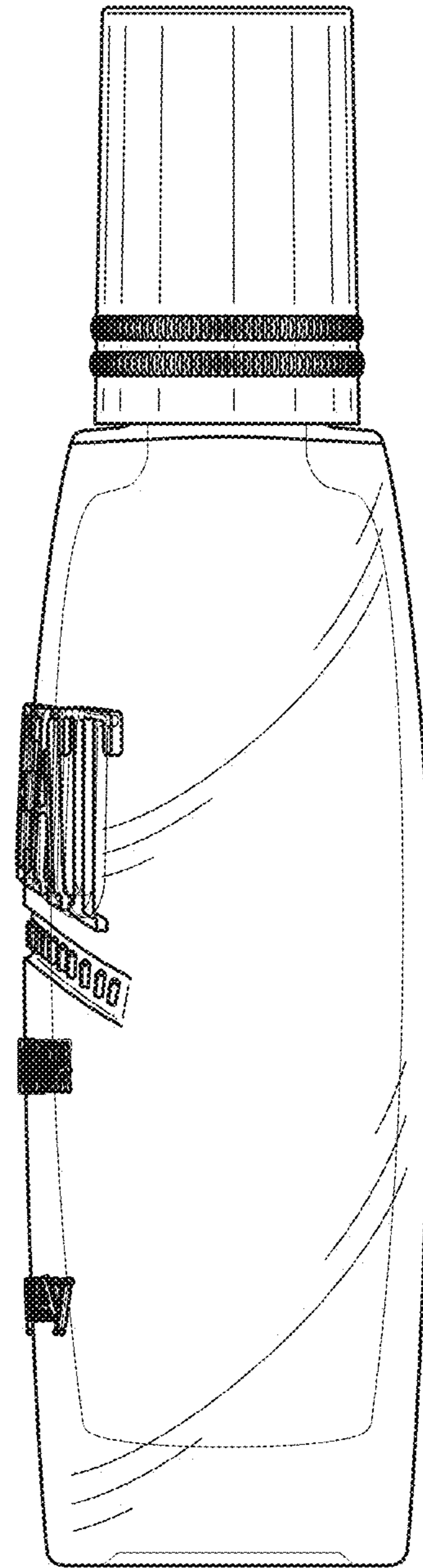


FIG. 5

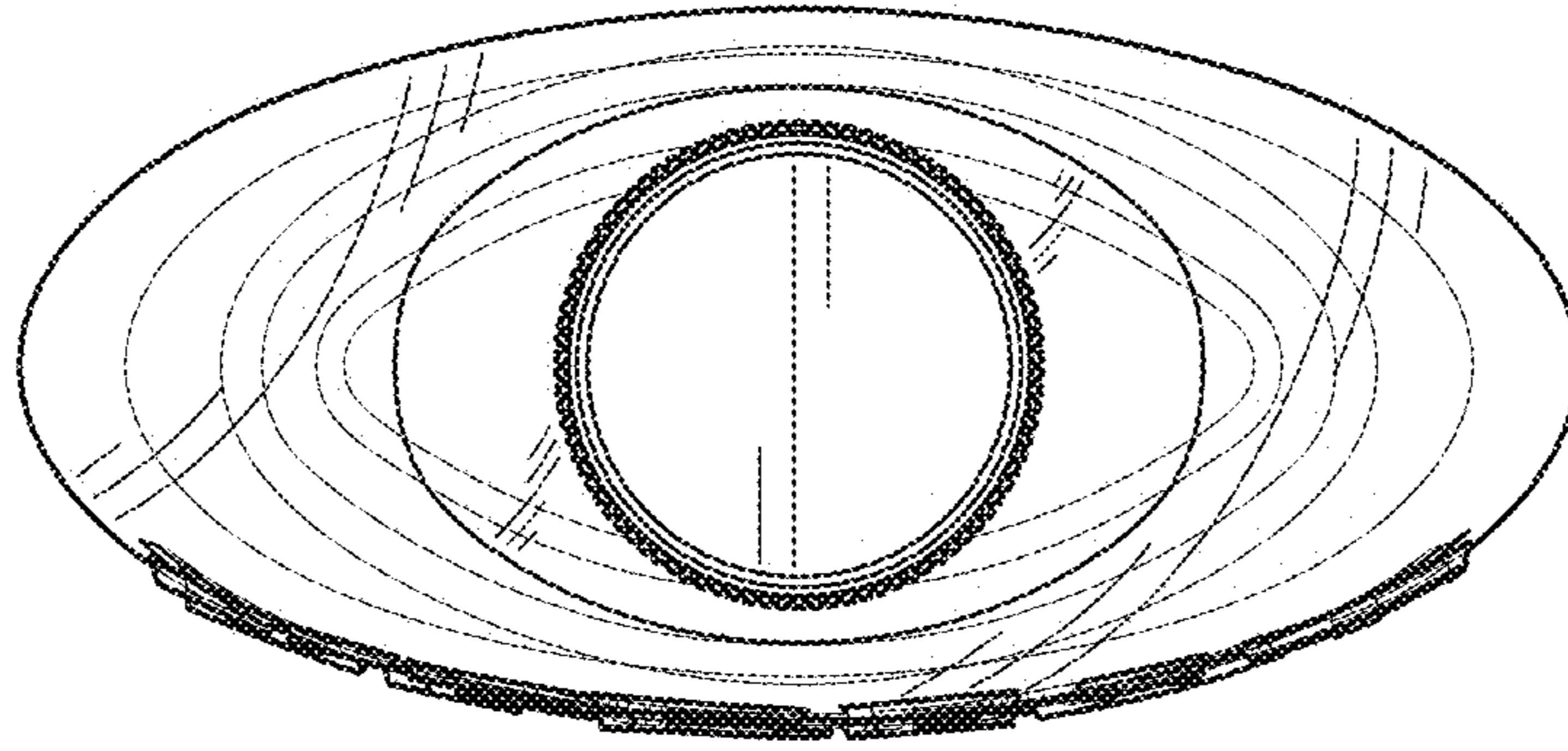


FIG. 6

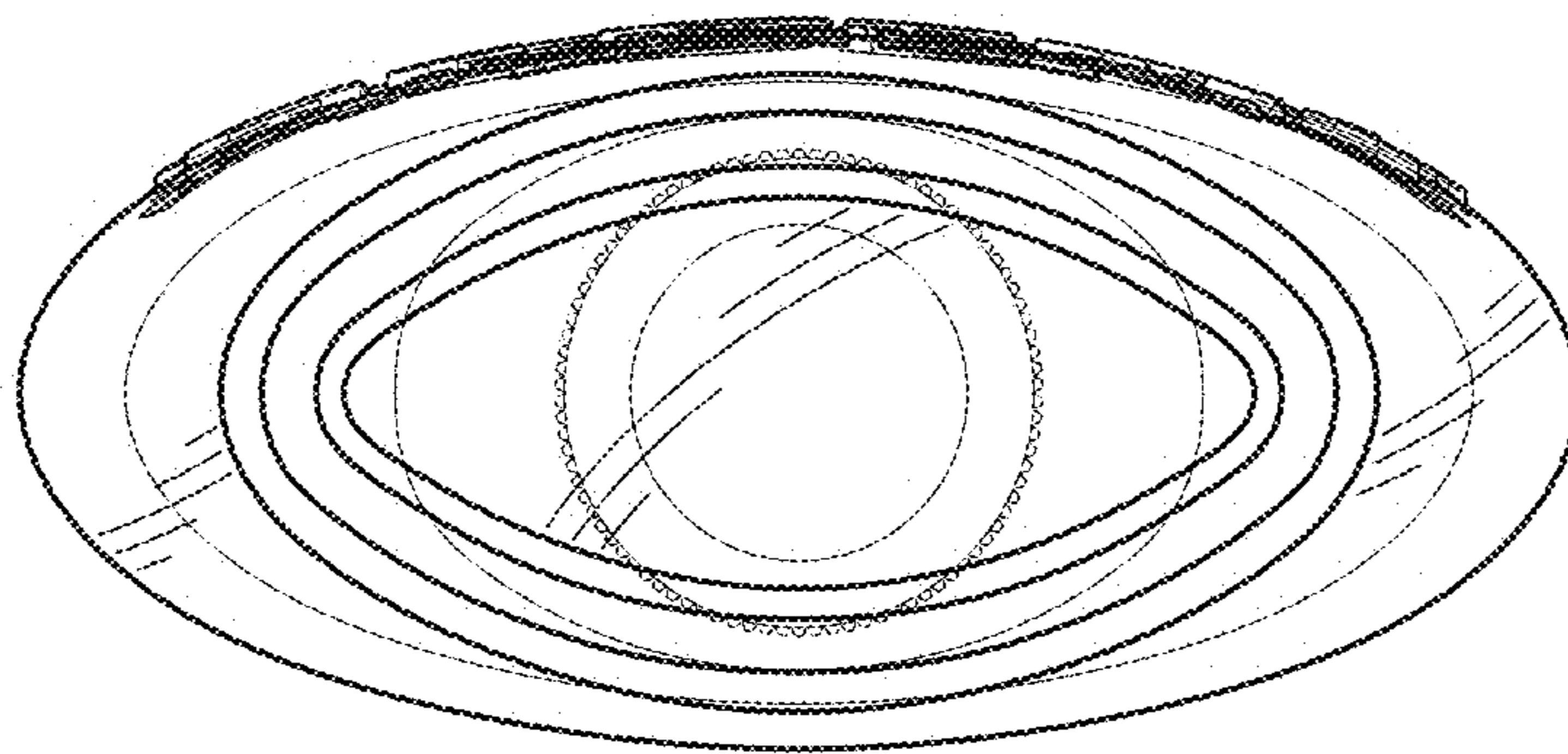


FIG. 7



FIG. 8

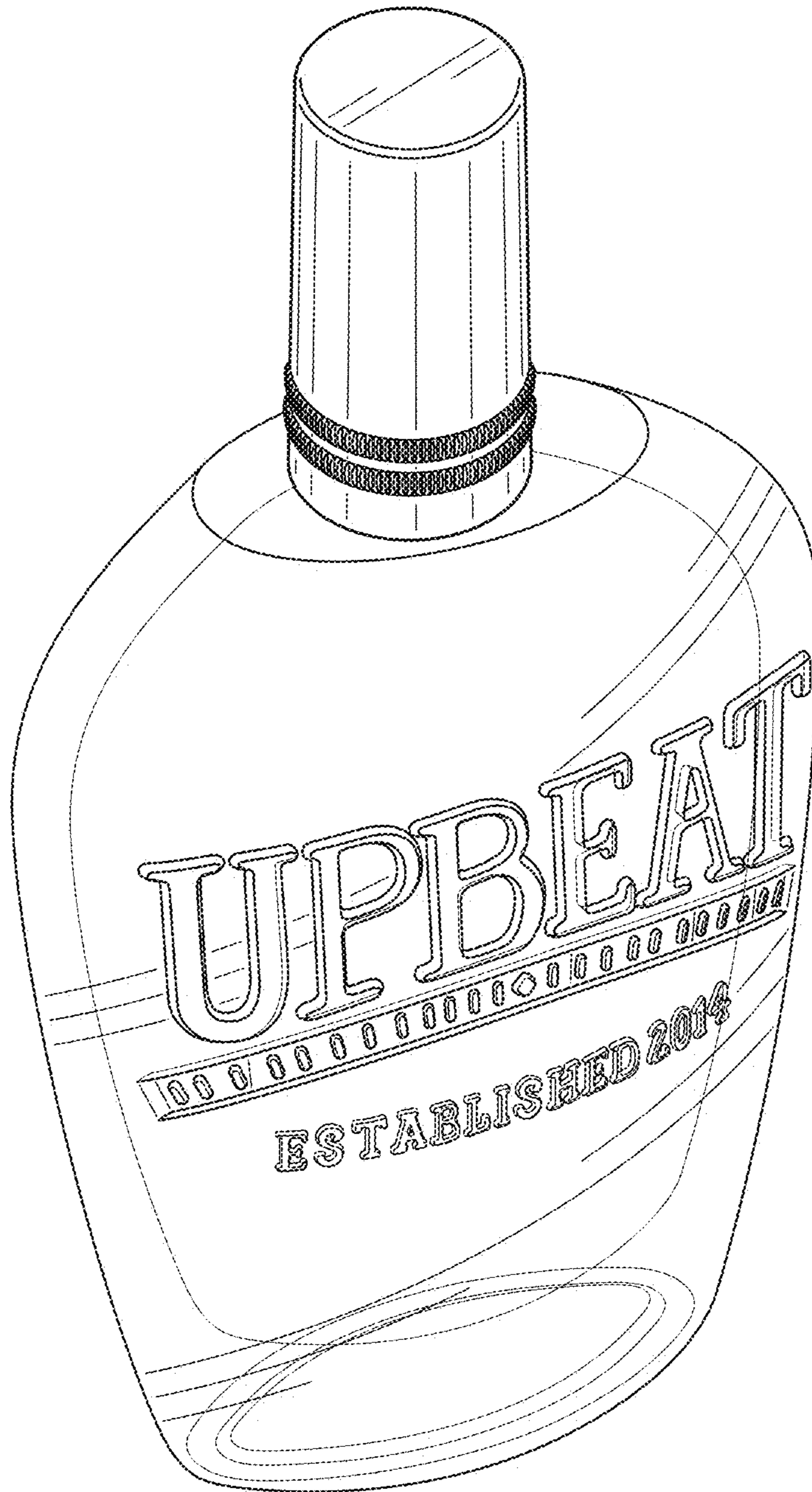


FIG. 9



FIG. 10

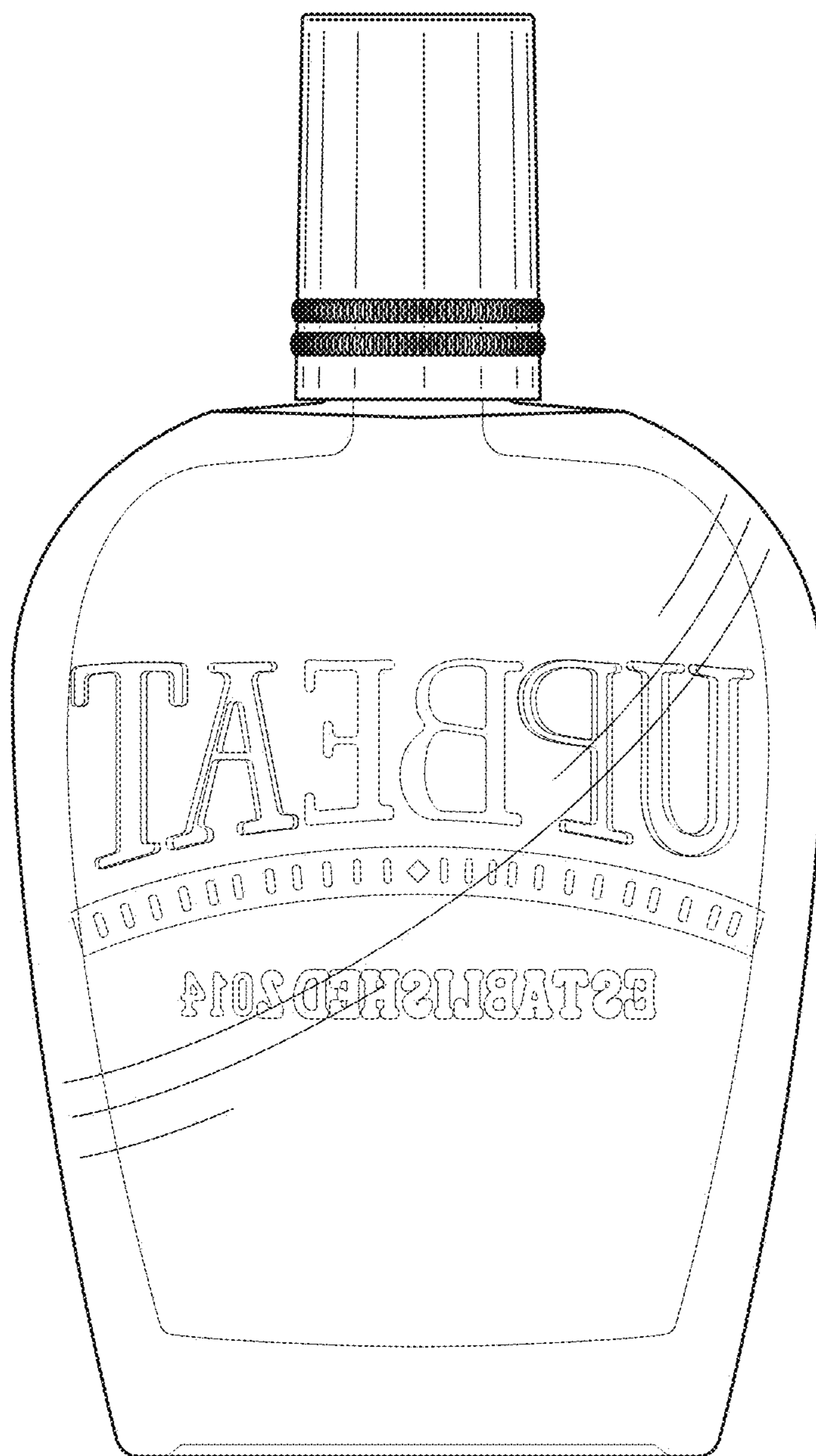


FIG. 11

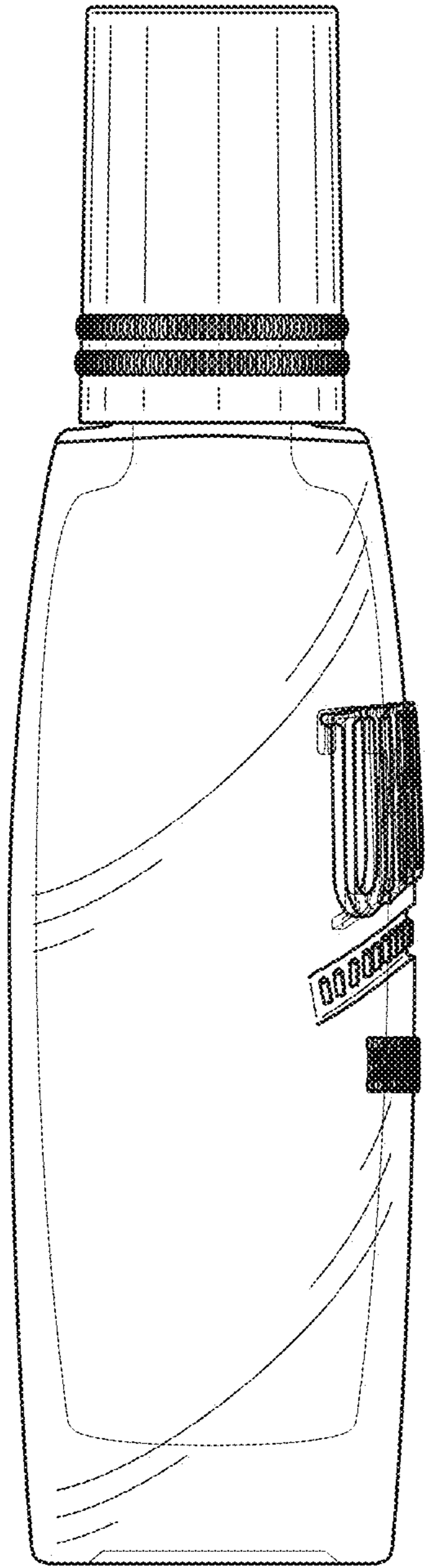


FIG. 12

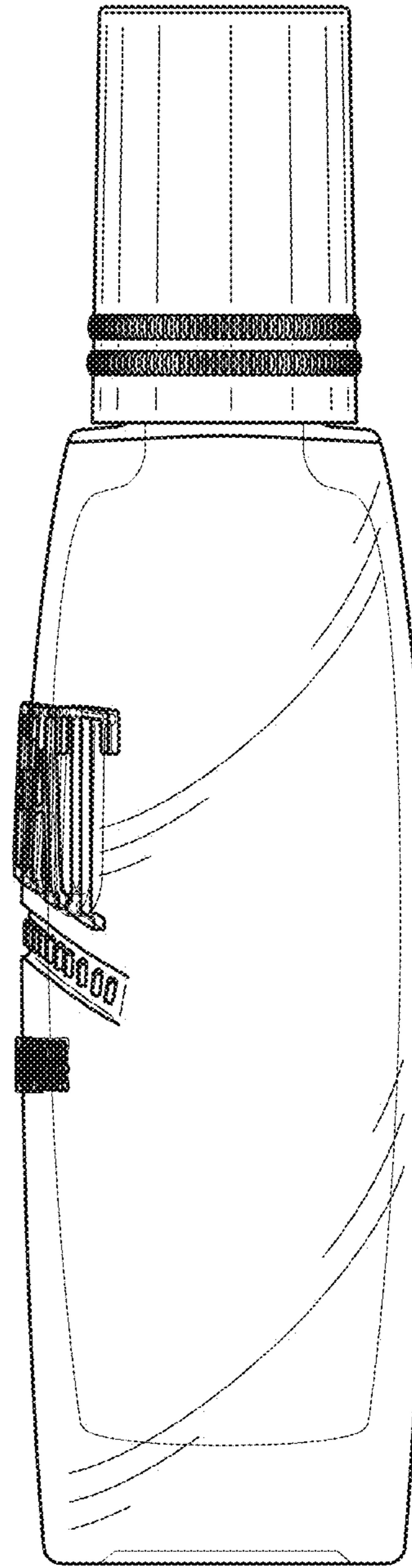


FIG. 13

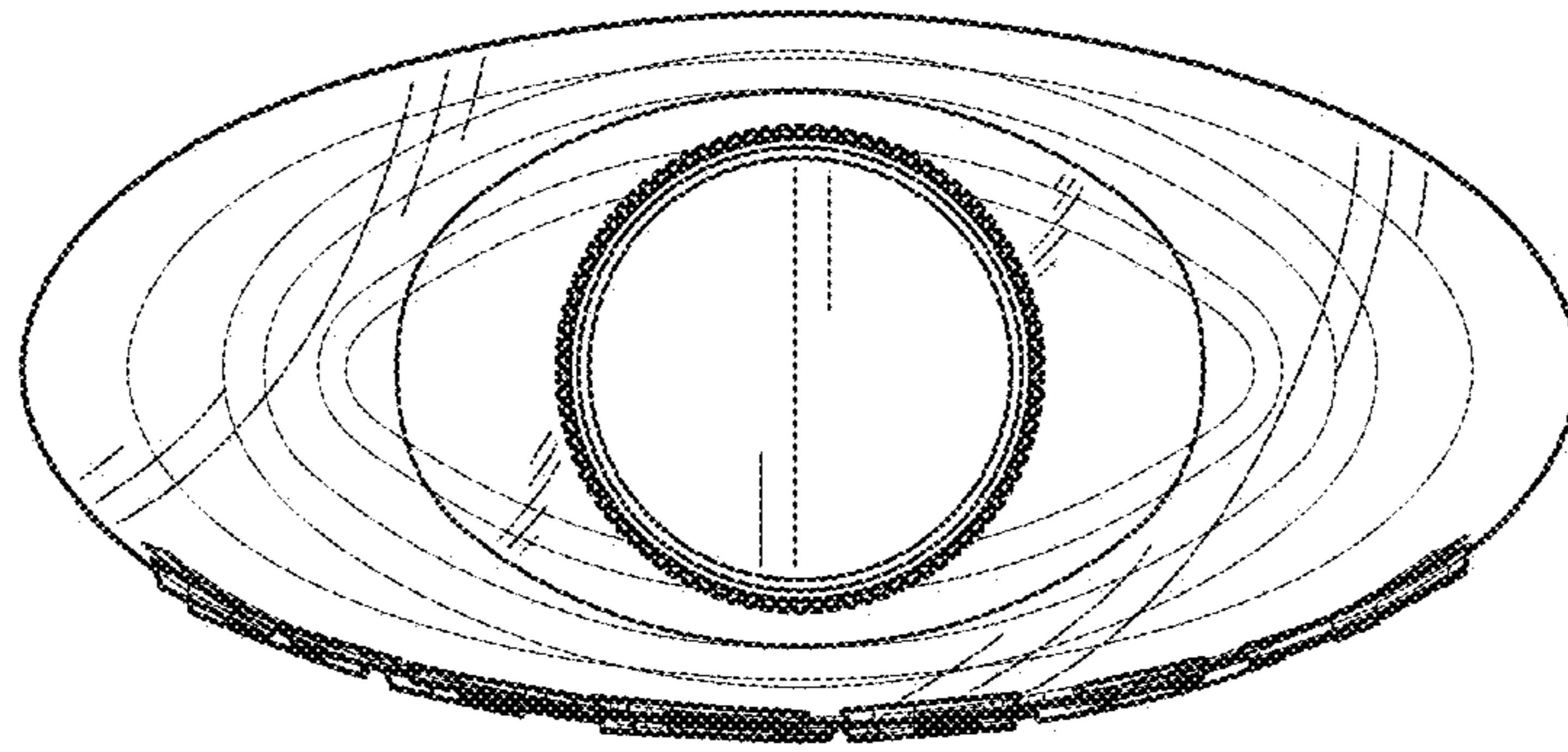


FIG. 14

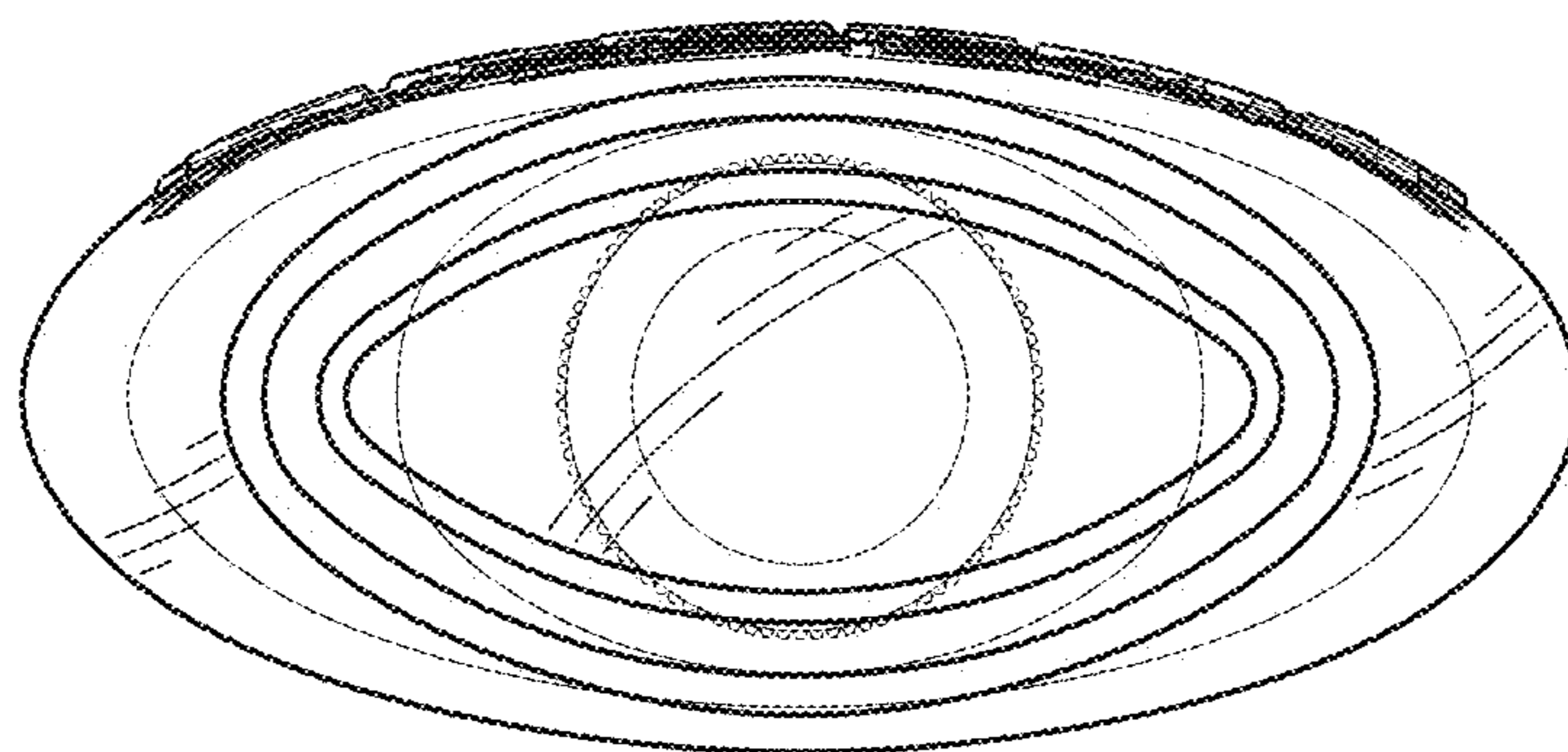


FIG. 15

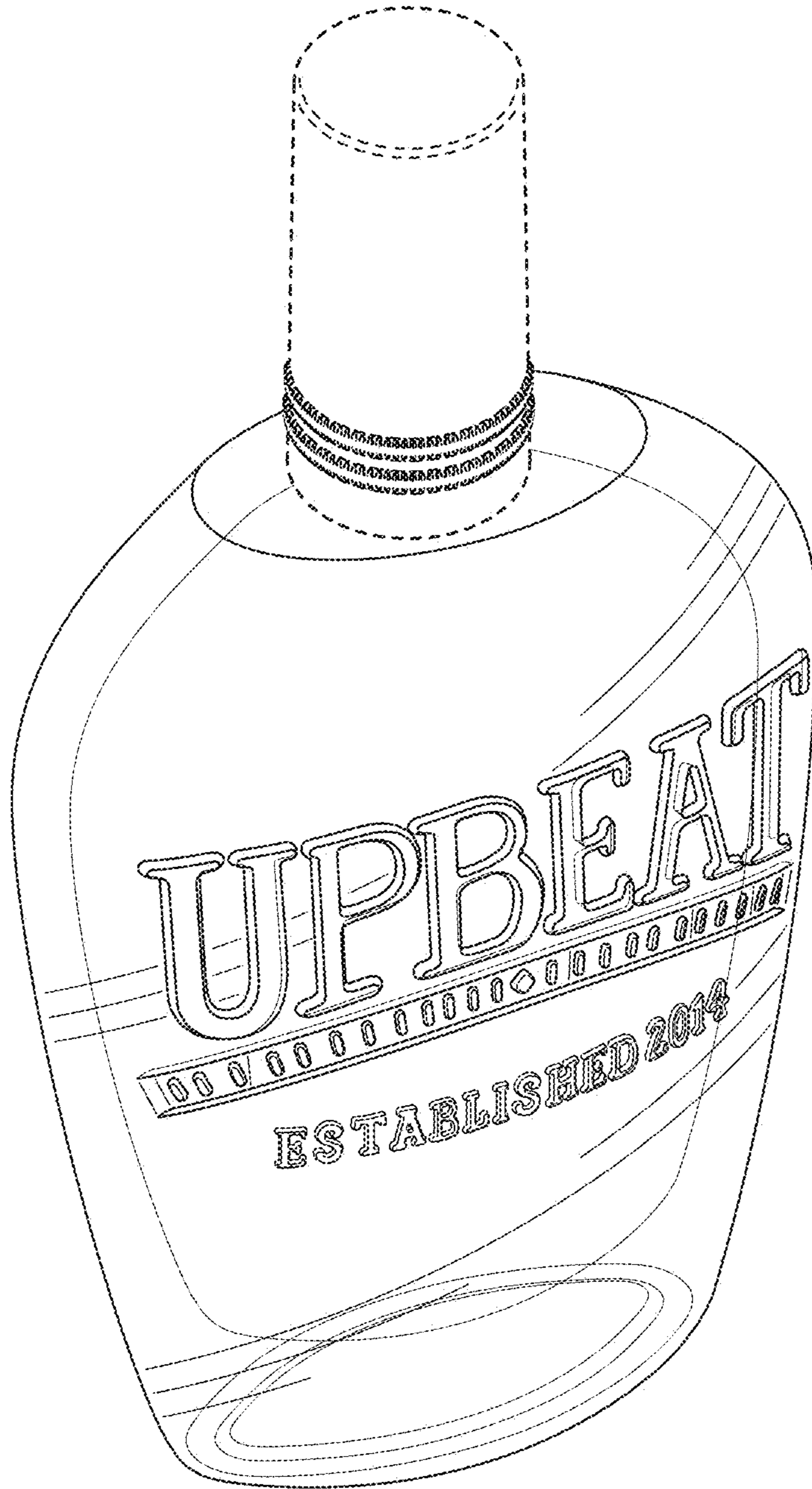


FIG. 16