



US00D759487S

(12) **United States Design Patent**
Jayakaran

(10) **Patent No.:** **US D759,487 S**
(45) **Date of Patent:** **** Jun. 21, 2016**

- (54) **CLOSURE CAP**
- (71) Applicant: **The Procter & Gamble Company,**
Cincinnati, OH (US)
- (72) Inventor: **Jacob Karun Jayakaran,** Cincinnati,
OH (US)
- (73) Assignee: **The Procter & Gamble Company,**
Cincinnati, OH (US)
- (**) Term: **14 Years**
- (21) Appl. No.: **29/514,478**
- (22) Filed: **Jan. 13, 2015**
- (51) **LOC (10) Cl.** **09-07**
- (52) **U.S. Cl.**
USPC **D9/453**
- (58) **Field of Classification Search**
USPC D9/435, 436, 443, 445, 449, 450, 452,
D9/453, 454
CPC B65D 51/243; B65D 41/16
See application file for complete search history.

D304,301 S *	10/1989	Moss	D9/436
D333,789 S *	3/1993	Reif	D9/453
D381,911 S *	8/1997	Lathrop	D9/453
D382,482 S *	8/1997	Lathrop	D9/453
D449,783 S *	10/2001	Crawford	D9/439
D475,924 S *	6/2003	Haffner	D9/435
D518,717 S *	4/2006	German	D9/453
D534,802 S *	1/2007	German	D9/453
D632,178 S *	2/2011	Liu	D9/453

* cited by examiner

Primary Examiner — Robert M Spear

(74) *Attorney, Agent, or Firm* — Gary J. Foose

(57) **CLAIM**

The ornamental design for a closure cap, as shown and described.

DESCRIPTION

FIG. 1 is a perspective view of the closure cap;
 FIG. 2 is a side view of the closure cap of FIG. 1;
 FIG. 3 is a side view of the closure cap of FIG. 1;
 FIG. 4 is a side view of the closure cap of FIG. 1, opposite the side view shown in FIG. 2;
 FIG. 5 is a side view of the closure cap of FIG. 1, opposite the side view shown in FIG. 3; and
 FIG. 6 is a top view of the closure cap of FIG. 1; and,
 FIG. 7 is a bottom view of the closure cap of FIG. 1, opposite the top view shown in FIG. 6.

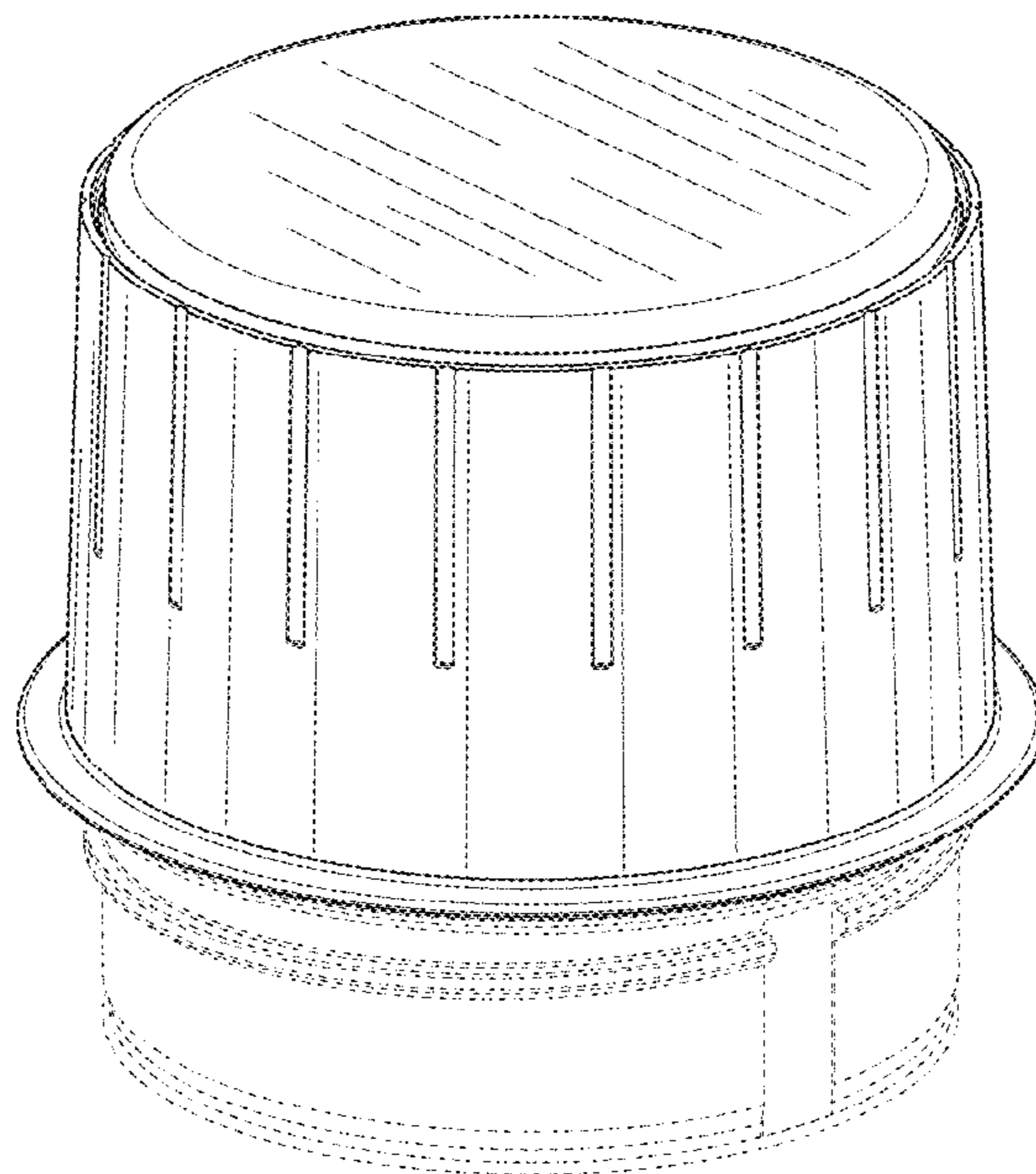
In the drawings, the broken lines depict environmental subject matter only and form no part of the claimed design.

1 Claim, 2 Drawing Sheets

(56) **References Cited**

U.S. PATENT DOCUMENTS

4,566,508 A *	1/1986	Bowyer	B65D 41/26 141/381
D292,492 S *	10/1987	Ross	D9/452
D295,380 S *	4/1988	Virag	D9/447



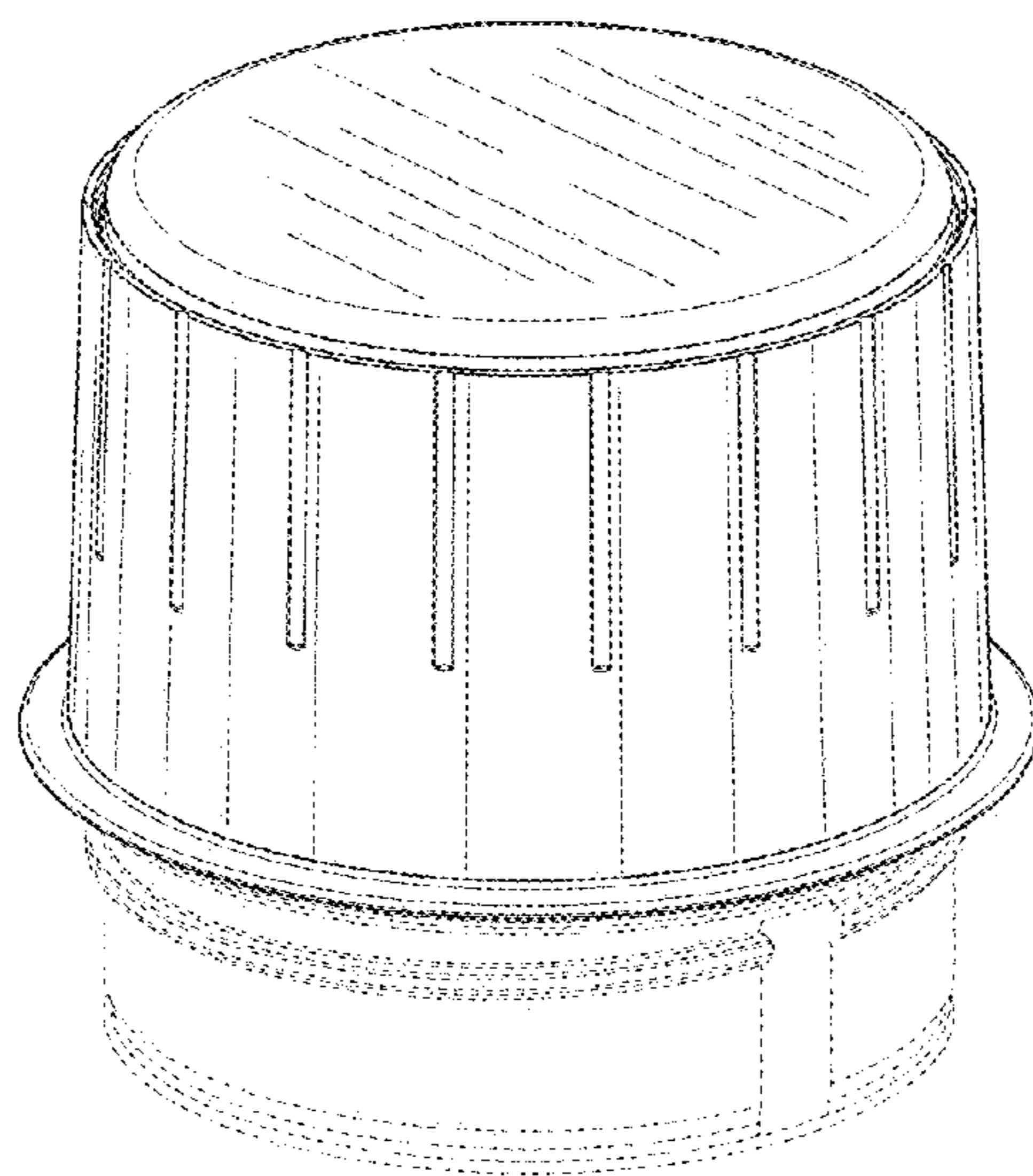


Fig. 1

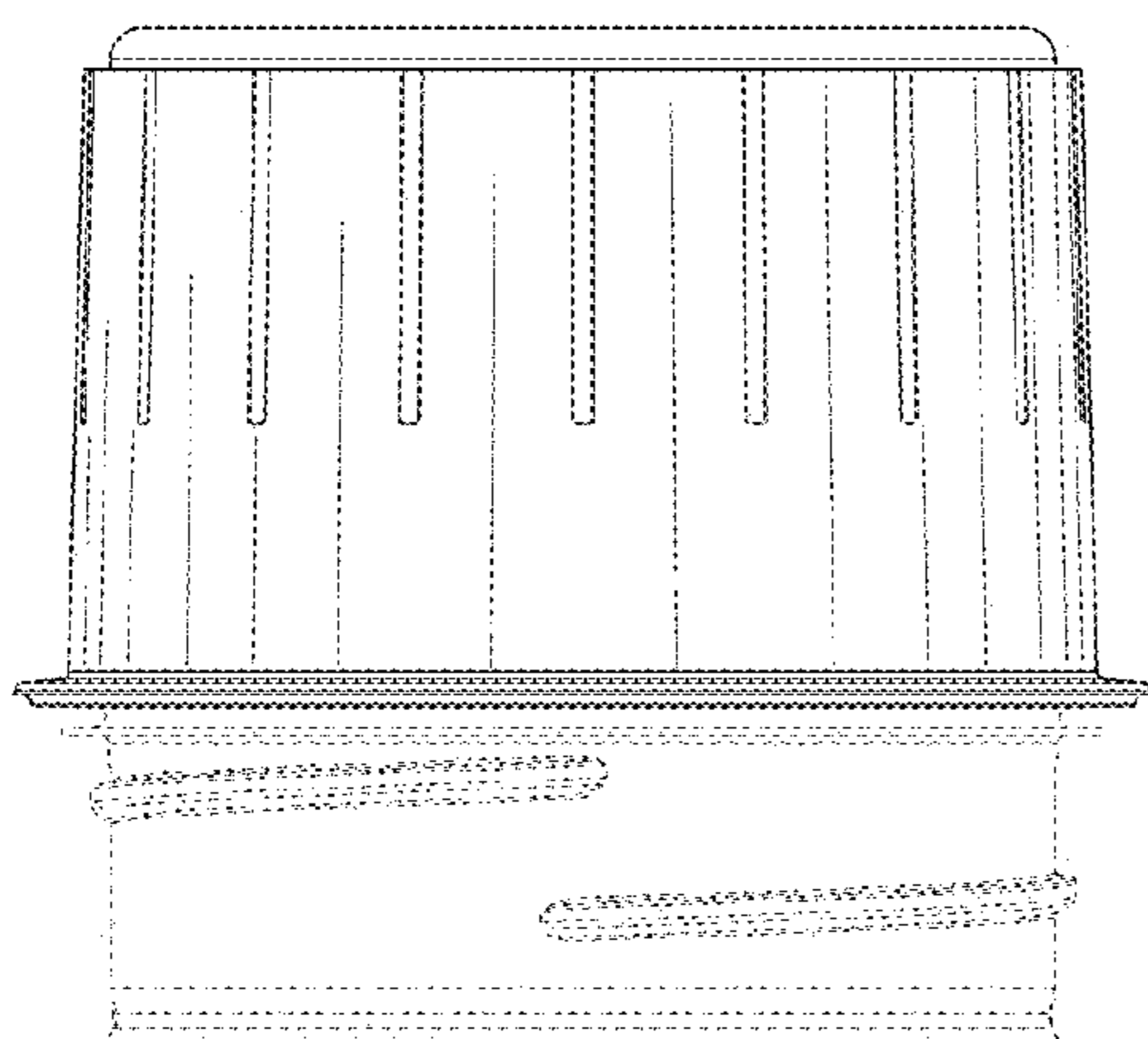


Fig. 2

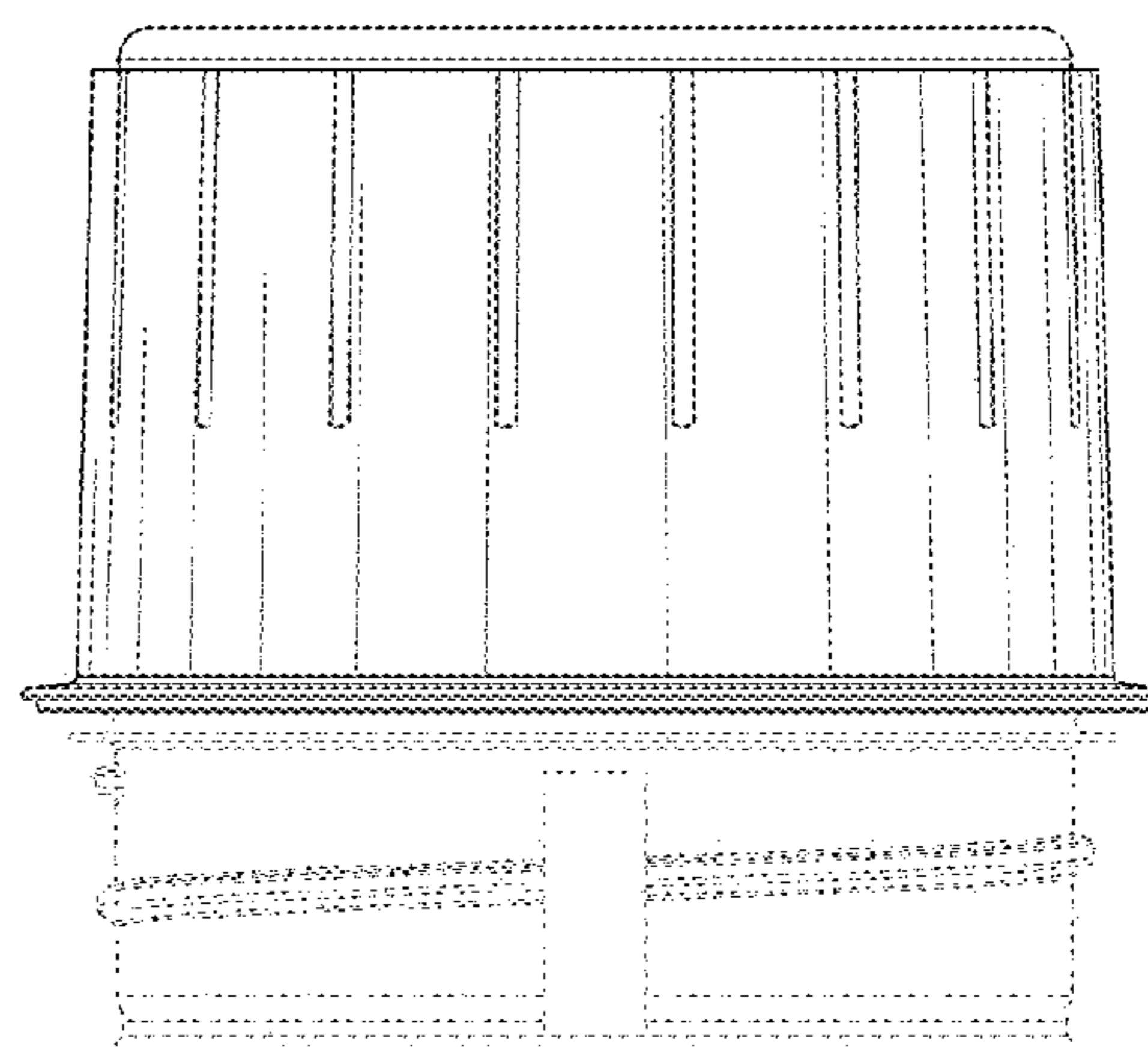


Fig. 3

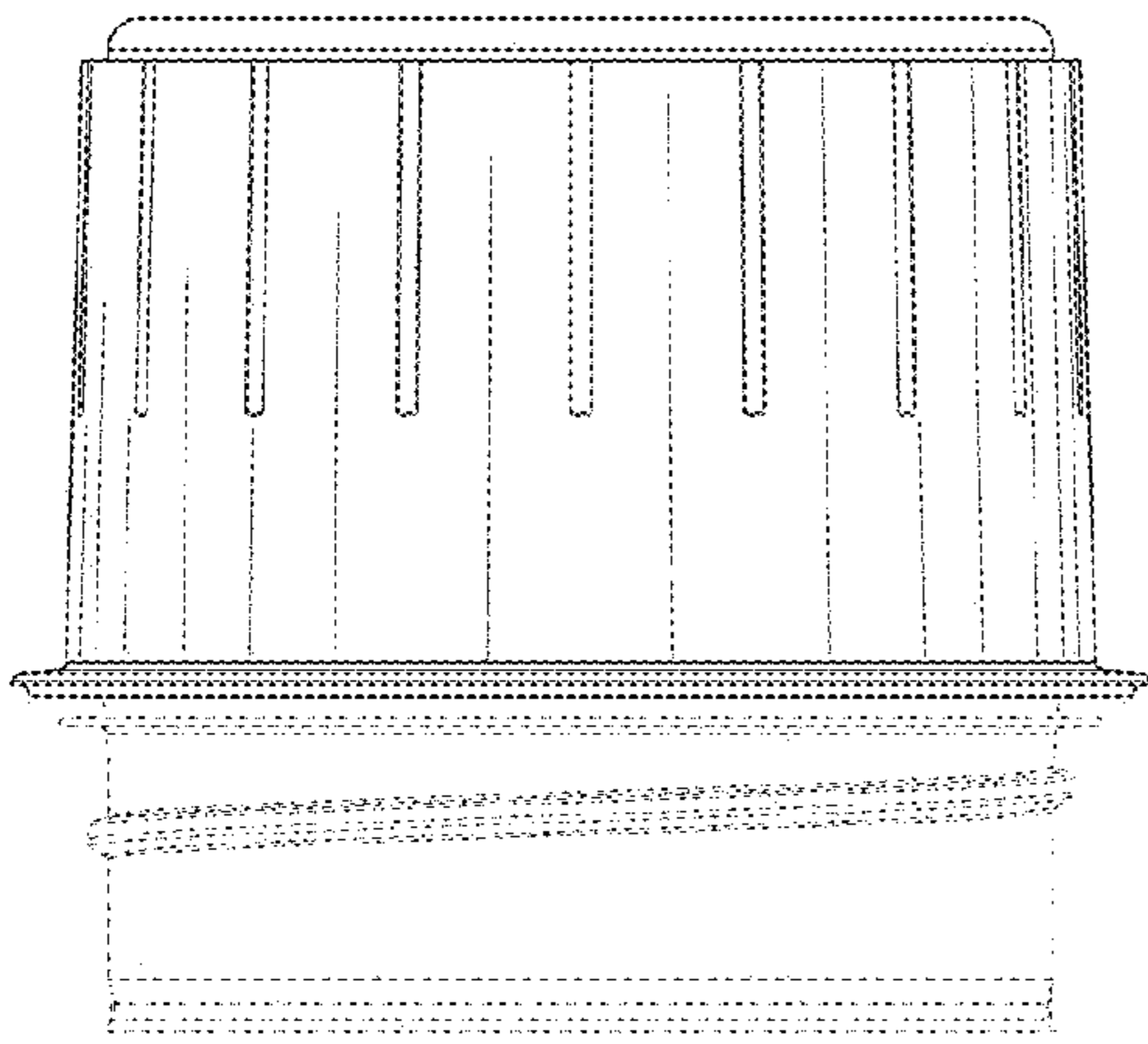


Fig. 4

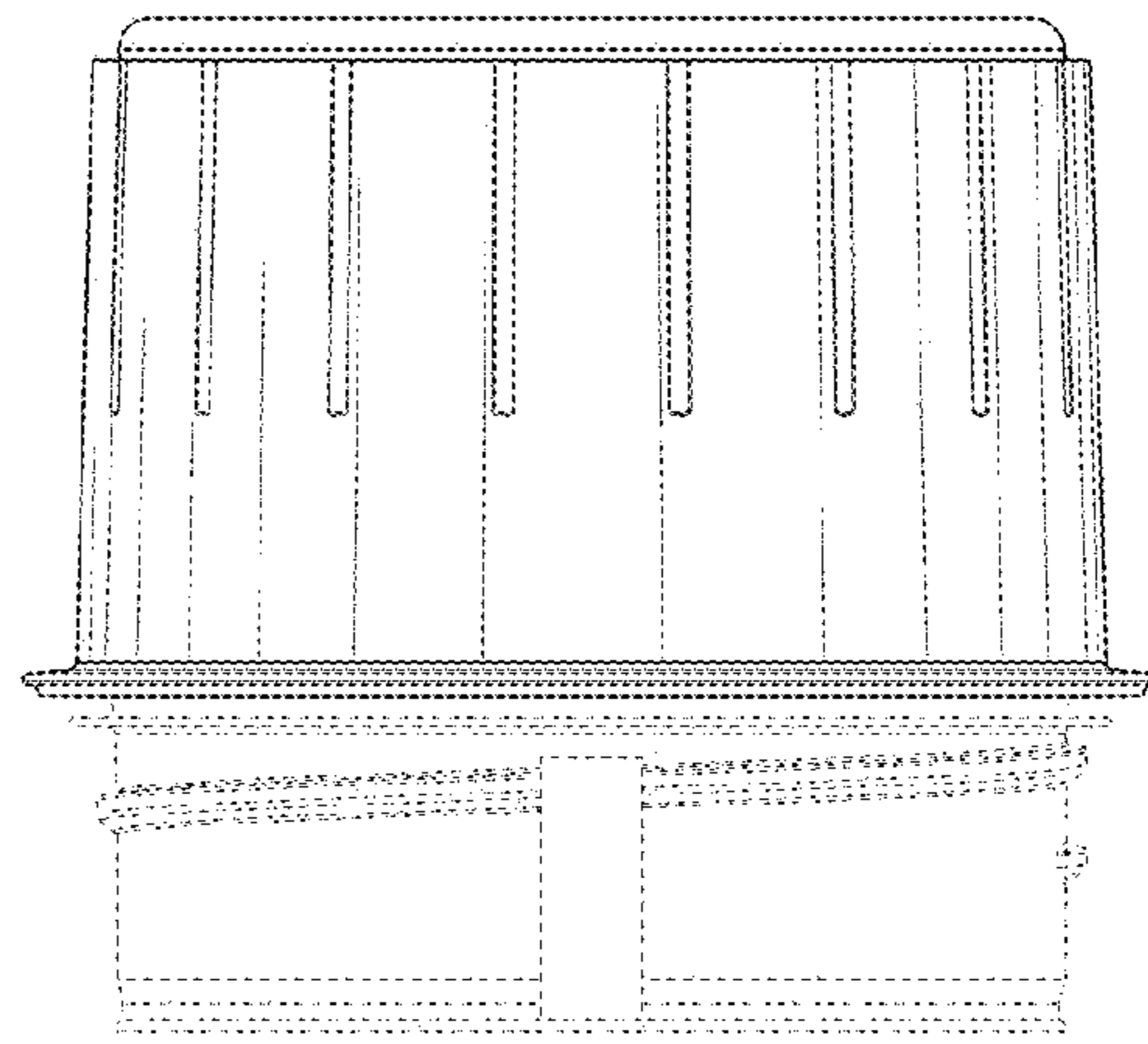


Fig. 5

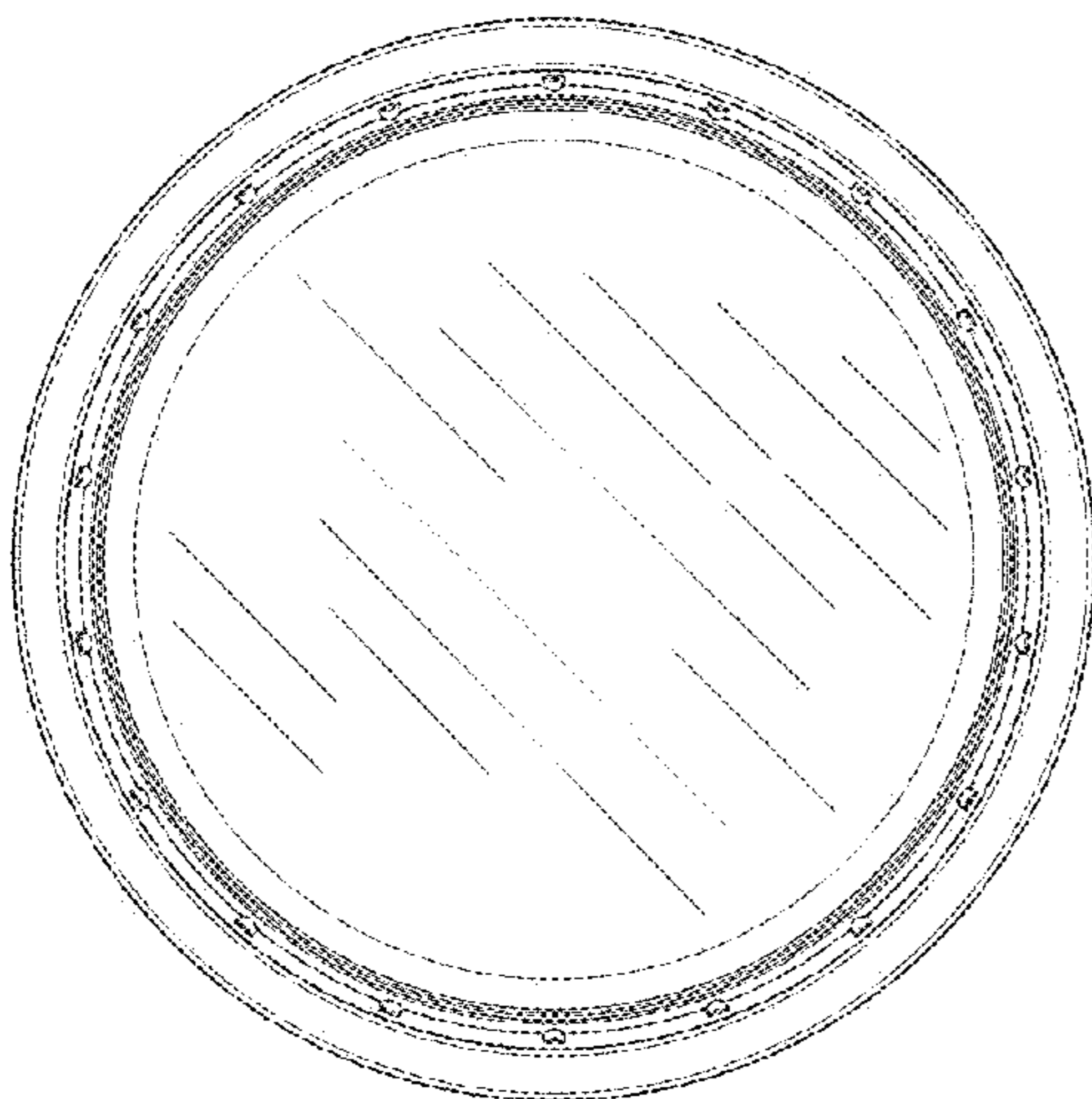


Fig. 6

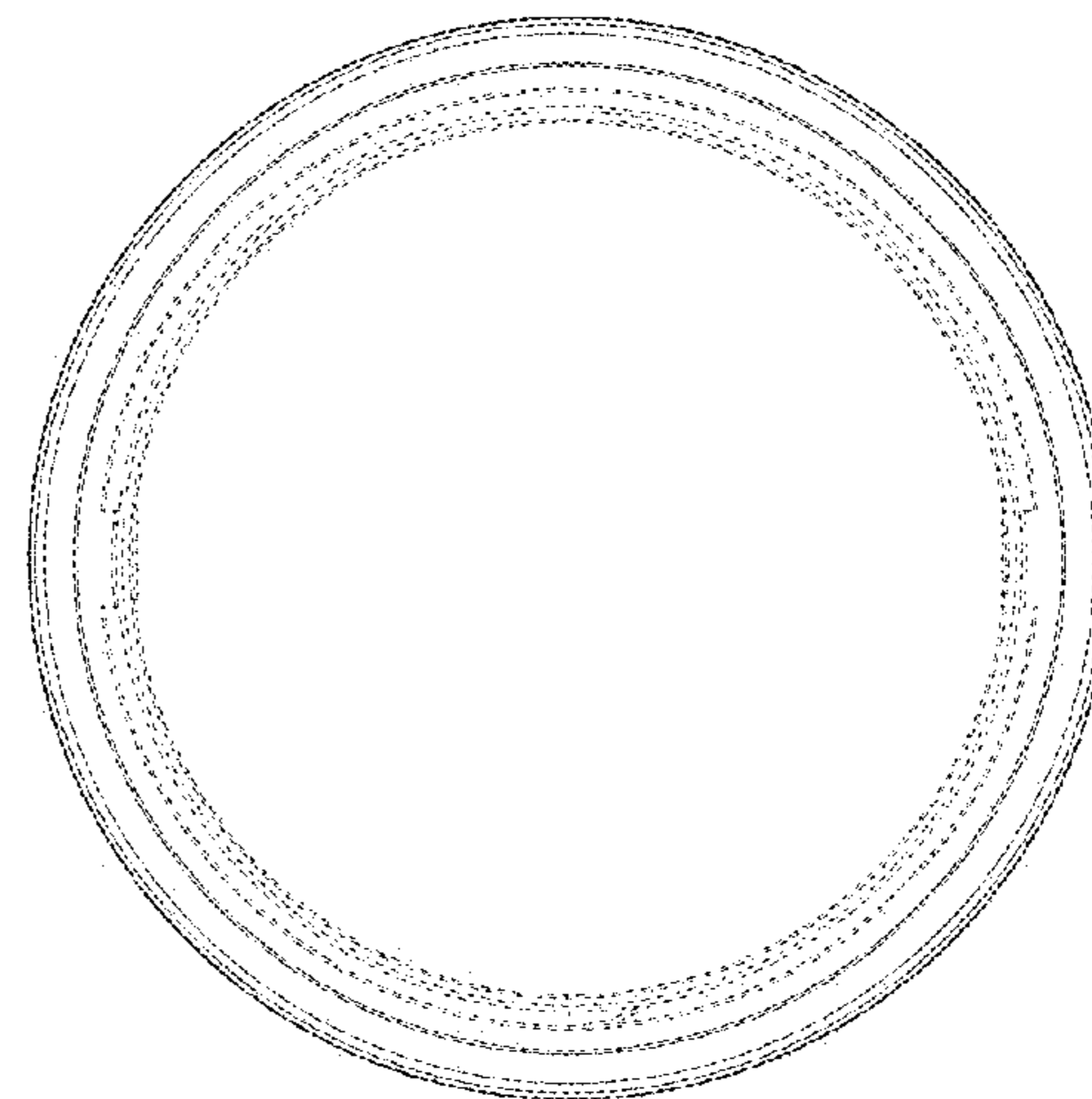


Fig. 7