



US00D759485S

(12) **United States Design Patent**  
**Boroski et al.**

(10) **Patent No.:** **US D759,485 S**  
(45) **Date of Patent:** **\*\* Jun. 21, 2016**

- (54) **LID**
- (71) Applicants: **Dwayne Boroski**, Lake in the Hills, IL (US); **Marvin Lane**, Wheeling, IL (US)
- (72) Inventors: **Dwayne Boroski**, Lake in the Hills, IL (US); **Marvin Lane**, Wheeling, IL (US)
- (73) Assignee: **THERMOS L.L.C.**, Schaumburg, IL (US)
- (\*\*) Term: **14 Years**
- (21) Appl. No.: **29/523,272**
- (22) Filed: **Apr. 8, 2015**
- (51) **LOC (10) Cl.** ..... **09-07**
- (52) **U.S. Cl.**  
USPC ..... **D9/449**
- (58) **Field of Classification Search**  
USPC ..... D9/429, 434-436, 439-454, 499, 600, D9/601, 614-617, 620, 623, 624, 628; D7/387, 392, 393, 396.2, 510, 511, D7/514-517, 598, 599, 612.2, 623, 628; D3/202, 294, 318  
CPC ..... A61J 1/1412; B65D 1/02; B65D 1/323; B65D 1/0246; B65D 25/40; B65D 25/42; B65D 25/44; B65D 41/56; B65D 41/62; B65D 47/06; B65D 47/08  
See application file for complete search history.

D639,660 S *	6/2011	Carreno	.....	D9/449
D668,153 S *	10/2012	Mavin	.....	D9/443
D675,059 S *	1/2013	Carreno	.....	D7/392.1
D682,102 S *	5/2013	Davis	.....	D9/449
D690,558 S *	10/2013	Lane	.....	D7/510
D695,069 S *	12/2013	Lane	.....	D7/510
D696,900 S *	1/2014	George	.....	D7/392.1
D718,626 S *	12/2014	Lane	.....	D9/449
D725,966 S *	4/2015	Boroski	.....	D7/511
D739,183 S *	9/2015	Lane	.....	D7/605
D741,655 S *	10/2015	Whelan	.....	D7/300.1
D747,918 S *	1/2016	Herbst	.....	D7/392.1
D748,477 S *	2/2016	Herbst	.....	D7/392.1
2013/0206717 A1 *	8/2013	Lane	.....	A47J 31/18 215/6
2014/0175098 A1 *	6/2014	Lane	.....	A45F 3/16 220/212.5

\* cited by examiner

*Primary Examiner* — Karen S Acker  
*Assistant Examiner* — Wendy Arminio  
(74) *Attorney, Agent, or Firm* — Polsinelli PC

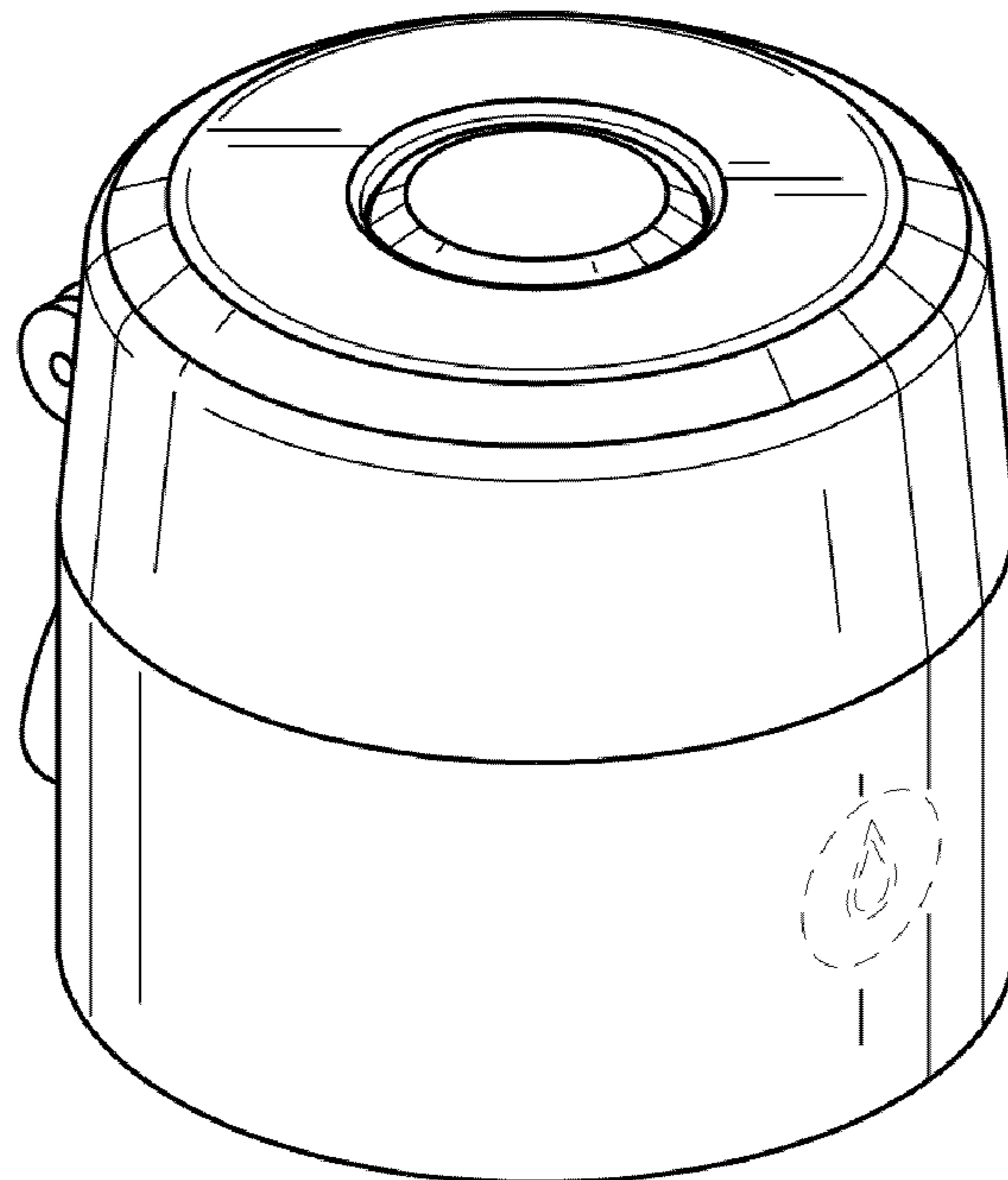
(57) **CLAIM**  
The ornamental design for a lid, as shown and described.

**DESCRIPTION**

FIG. 1 is a perspective view of the lid;  
FIG. 2 is a front view of the lid;  
FIG. 3 is a rear view of the lid;  
FIG. 4 is a right side view of the lid;  
FIG. 5 is a left side view of the lid;  
FIG. 6 is a top view of the lid; and,  
FIG. 7 is a bottom view of the lid.  
The broken lines shown in the drawings depict portions of the lid that form no part of the claimed design.

**1 Claim, 2 Drawing Sheets**

- (56) **References Cited**  
U.S. PATENT DOCUMENTS  
D536,974 S \* 2/2007 Smith ..... D9/435  
D608,640 S \* 1/2010 Carreno ..... D9/449



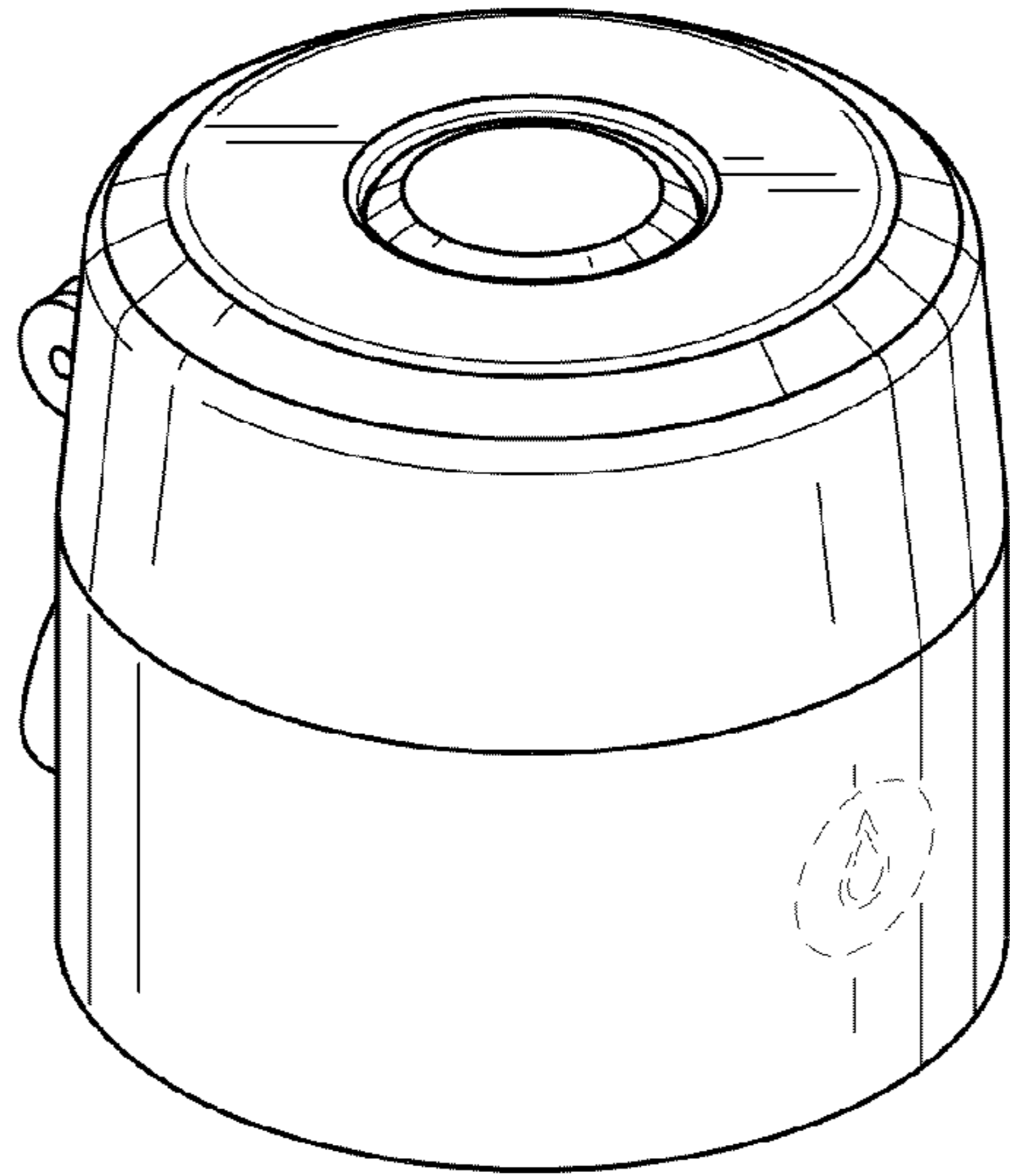


FIG. 1

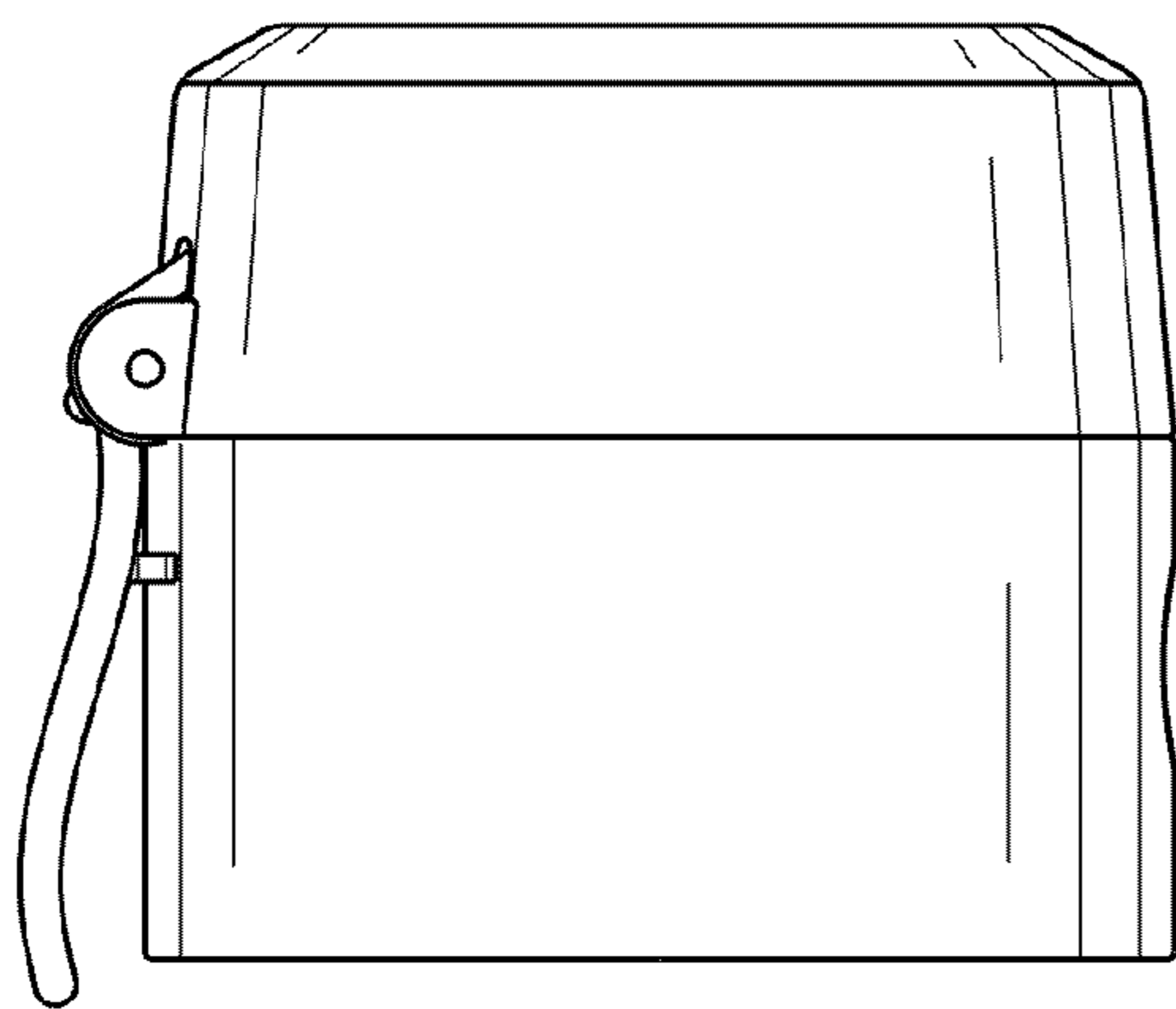


FIG. 2

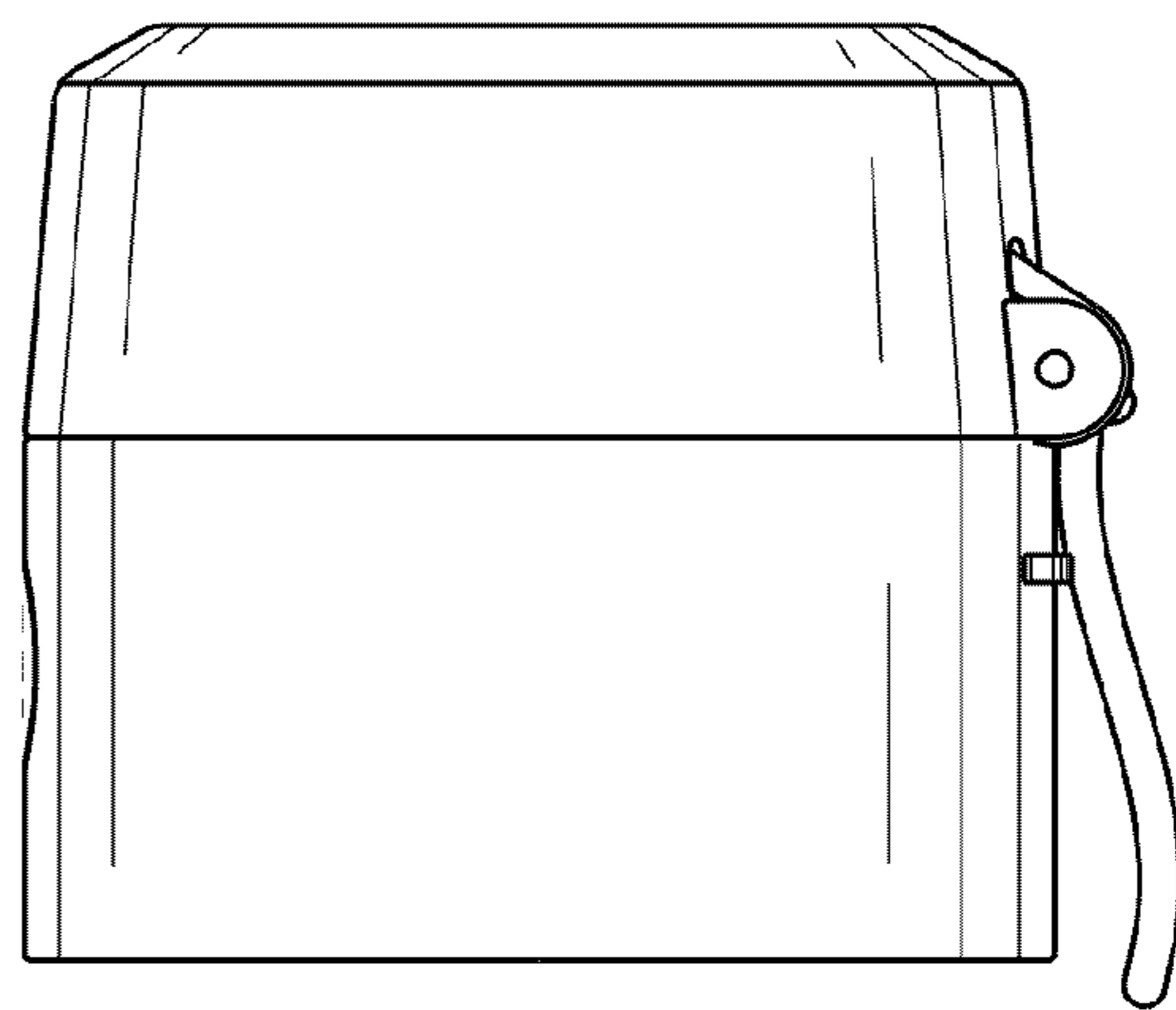


FIG. 3

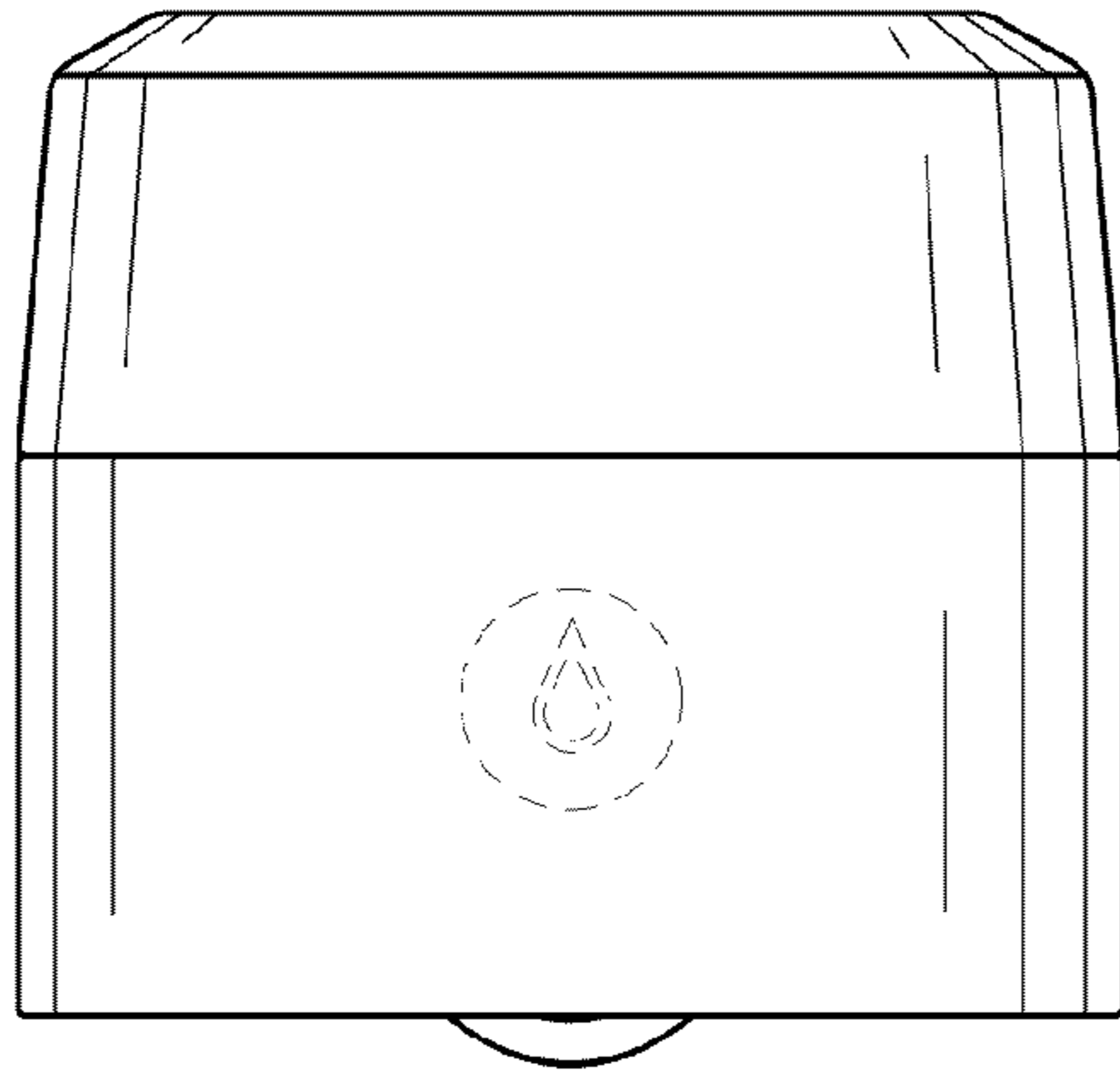


FIG. 4

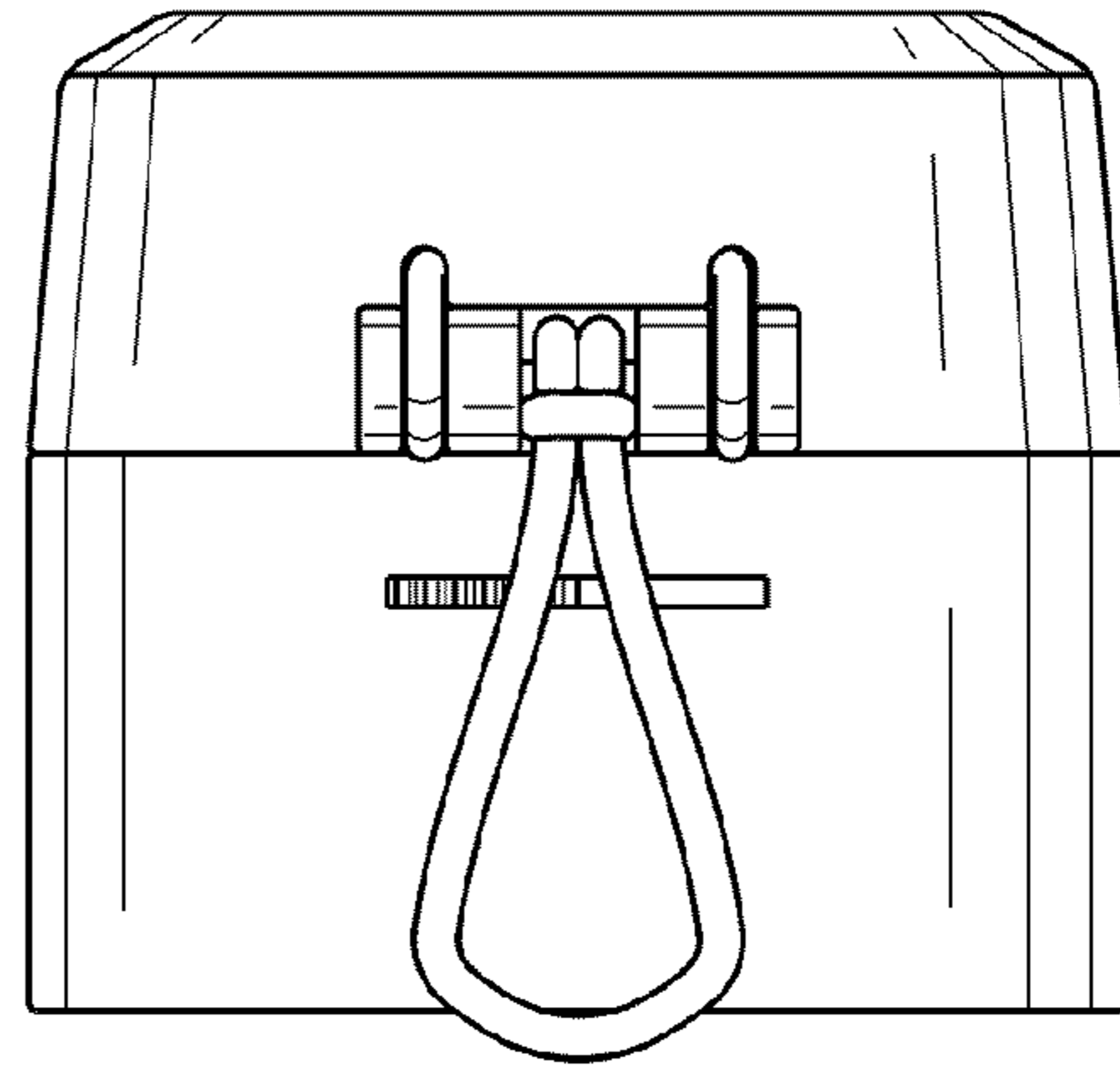


FIG. 5

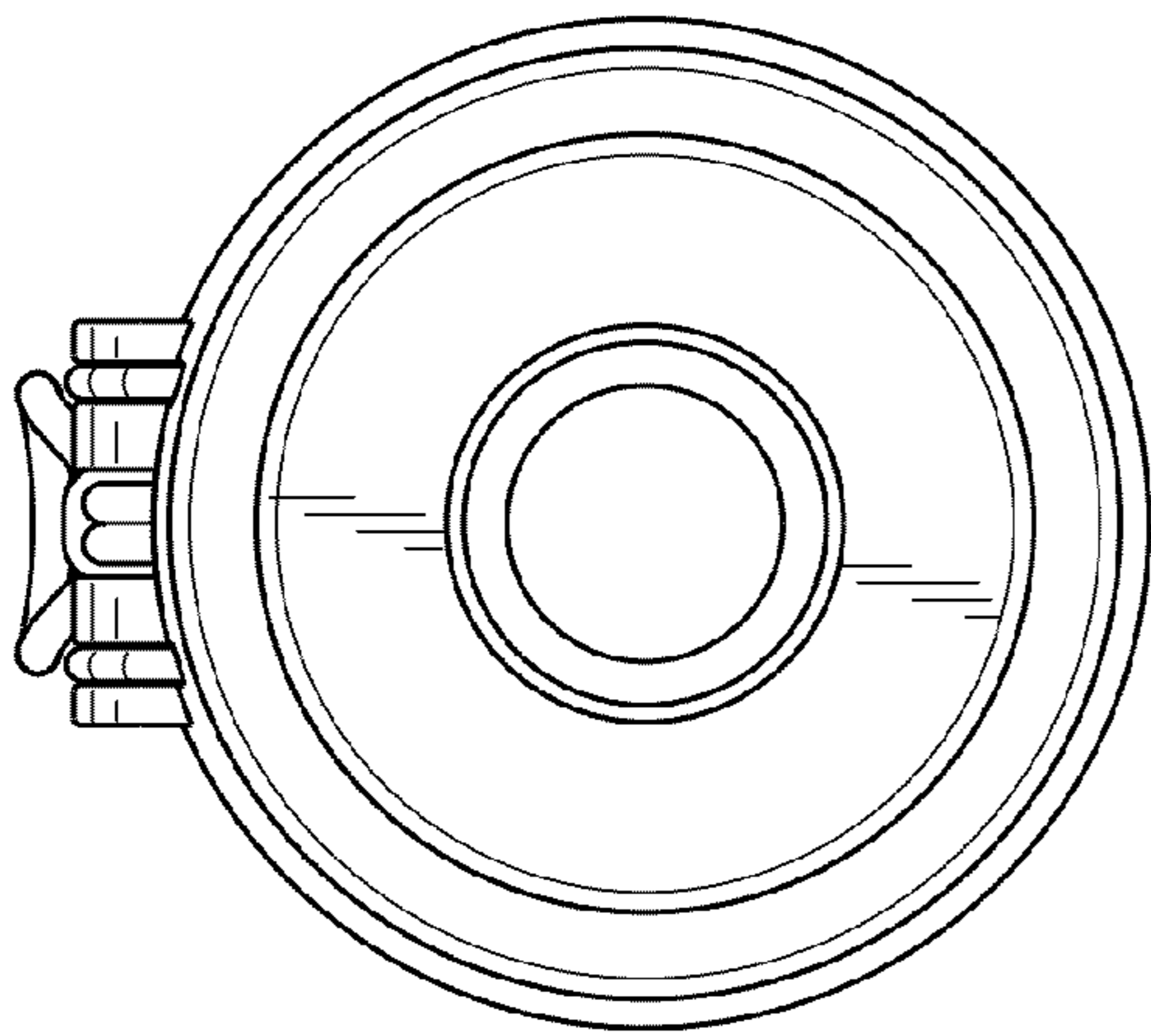


FIG. 6

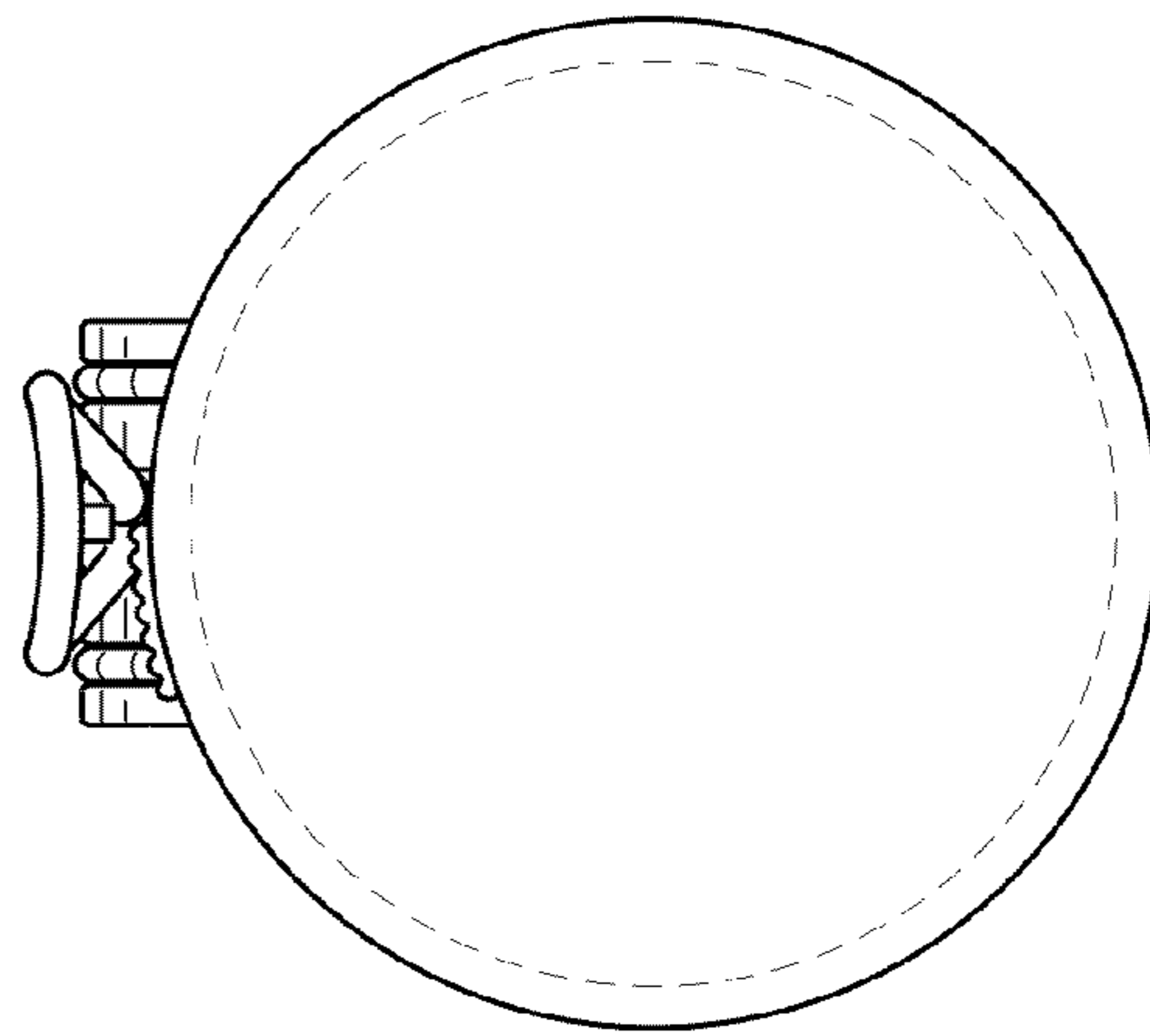


FIG. 7