



US00D759484S

(12) **United States Design Patent**  
**Pastre**

(10) **Patent No.:** **US D759,484 S**  
(45) **Date of Patent:** **\*\* Jun. 21, 2016**

(54) **BOTTLE CAP**

- (71) Applicant: **ROUTIN**, La Motte Servolex (FR)
- (72) Inventor: **Muriel Pastre**, La Motte-Servolex (FR)
- (73) Assignee: **ROUTIN**, La Motte Servolex (FR)
- (\*\*) Term: **14 Years**
- (21) Appl. No.: **29/493,078**
- (22) Filed: **Jun. 5, 2014**

(30) **Foreign Application Priority Data**

Dec. 5, 2013 (EM) ..... 002364596-0001

(51) **LOC (10) Cl.** ..... **09-07**

(52) **U.S. Cl.**  
USPC ..... **D9/449**

(58) **Field of Classification Search**

USPC ..... D7/392.1, 396.2; D9/435, 436, 440,  
D9/443, 445, 446, 447, 448, 450, 452, 453,  
D9/454

CPC ..... B65D 47/32; B65D 47/243; B65D 83/28;  
B65D 43/0212; B65D 55/024; B65D 47/0809;  
B65D 2251/105

See application file for complete search history.

(56) **References Cited**

U.S. PATENT DOCUMENTS

D274,309 S *	6/1984	Aldrich, III	.....	D9/446
D363,025 S *	10/1995	Deflander	.....	D9/449
6,116,477 A *	9/2000	Kreiseder	.....	B65D 47/0857 222/546
6,631,820 B2 *	10/2003	Harrold	.....	B65D 47/0809 215/230
D565,959 S *	4/2008	Hadtke	.....	D9/446
D580,762 S *	11/2008	Wilson	.....	D9/449
D585,740 S *	2/2009	Wilson	.....	D9/449
D661,583 S *	6/2012	Santarelli	.....	D9/449
D702,551 S *	4/2014	Wisniewski	.....	D9/449
D713,723 S *	9/2014	den Boer	.....	D9/449
D742,229 S *	11/2015	Wisniewski	.....	D9/449
D743,790 S *	11/2015	Hussain	.....	D9/447

\* cited by examiner

*Primary Examiner* — Robert M Spear

(74) *Attorney, Agent, or Firm* — Fredrikson & Byron, P.A.

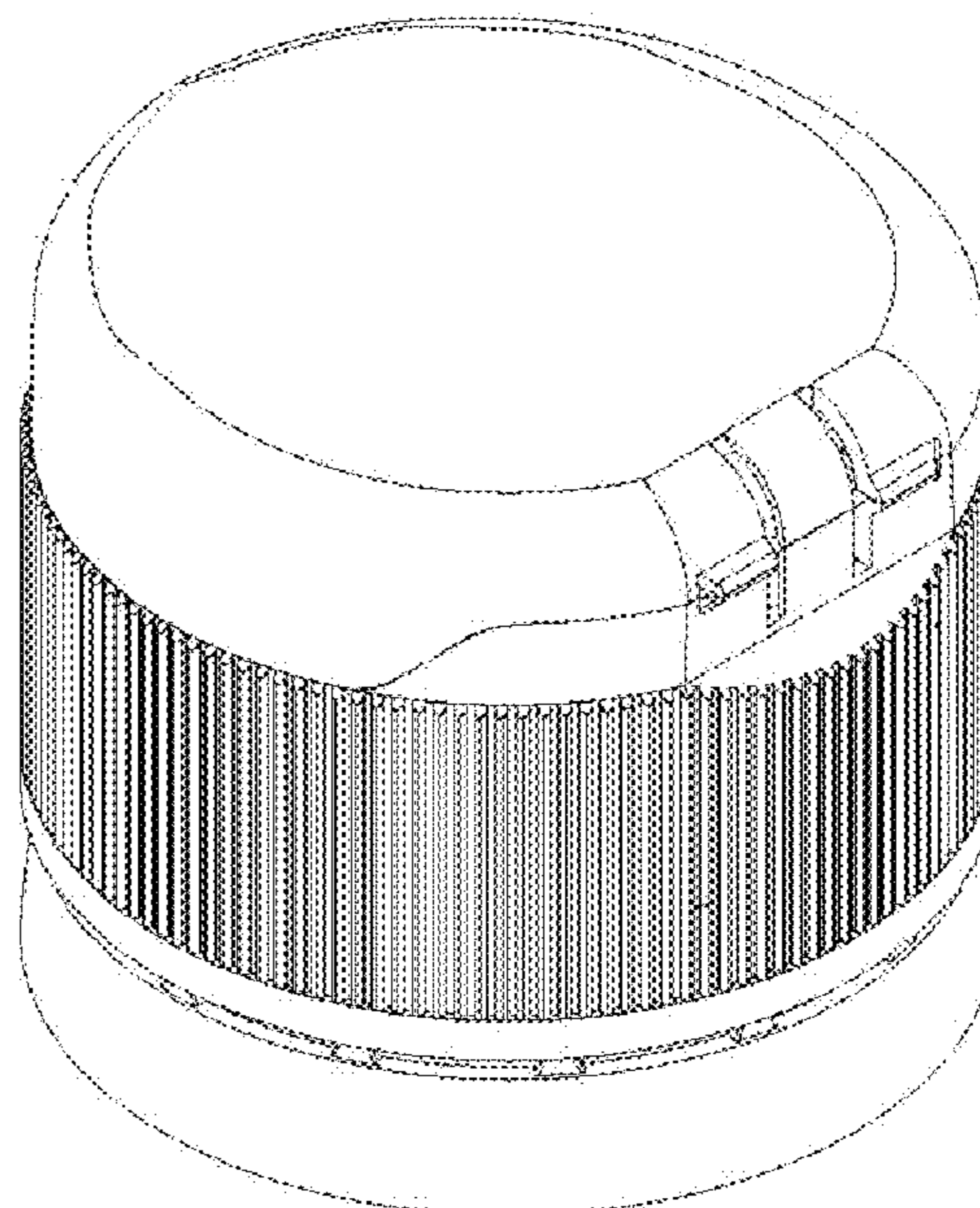
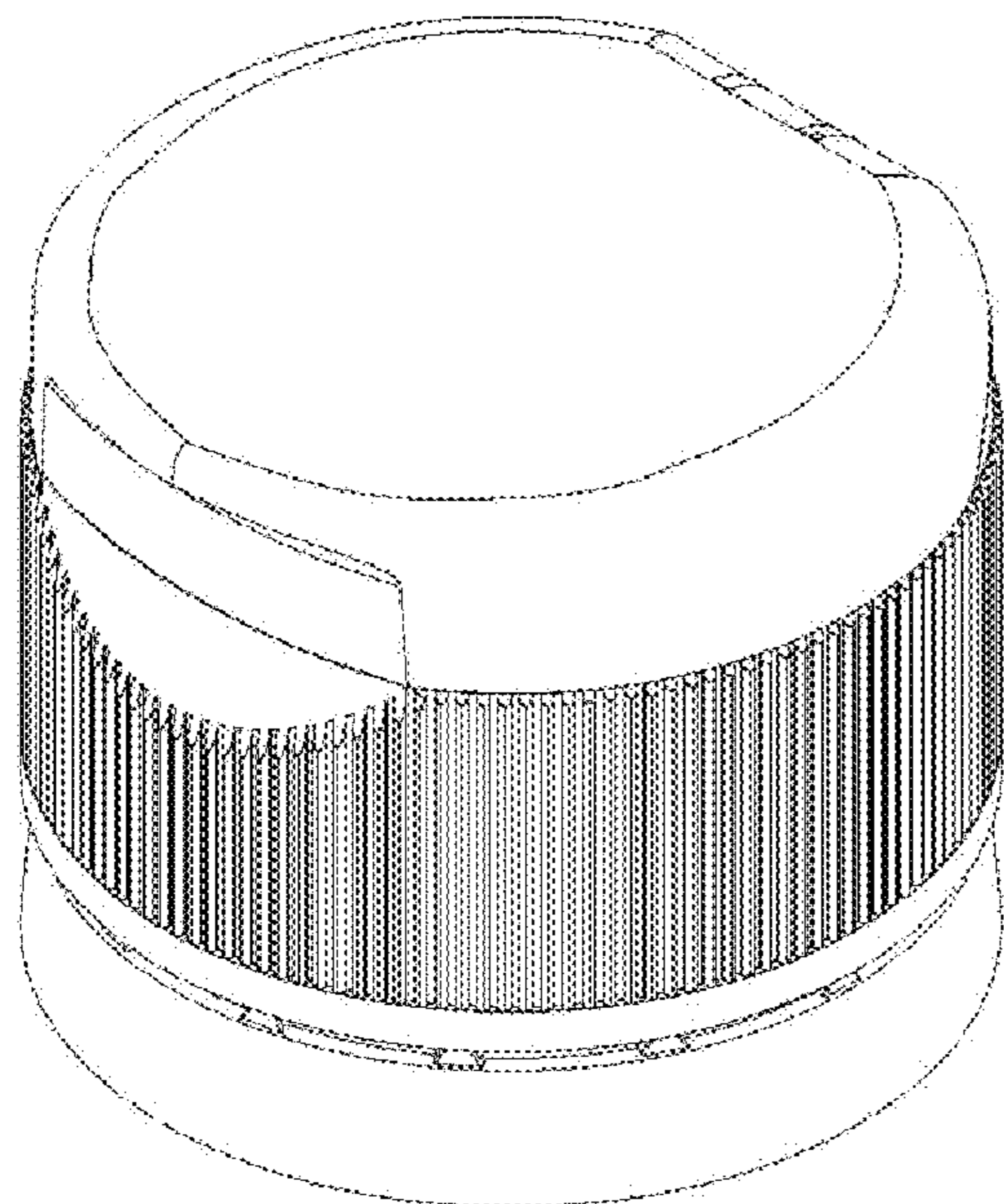
(57) **CLAIM**

I claim the ornamental design for bottle cap, as shown and described.

**DESCRIPTION**

FIG. 1 is a front perspective view of bottle cap incorporating my new design;  
FIG. 2 is a rear perspective view thereof;  
FIG. 3 is a front elevation view thereof;  
FIG. 4 is a rear elevation view thereof;  
FIG. 5 is a right-side elevation view thereof, the left side being a mirror image; and,  
FIG. 6 is a top elevation view thereof.

**1 Claim, 3 Drawing Sheets**



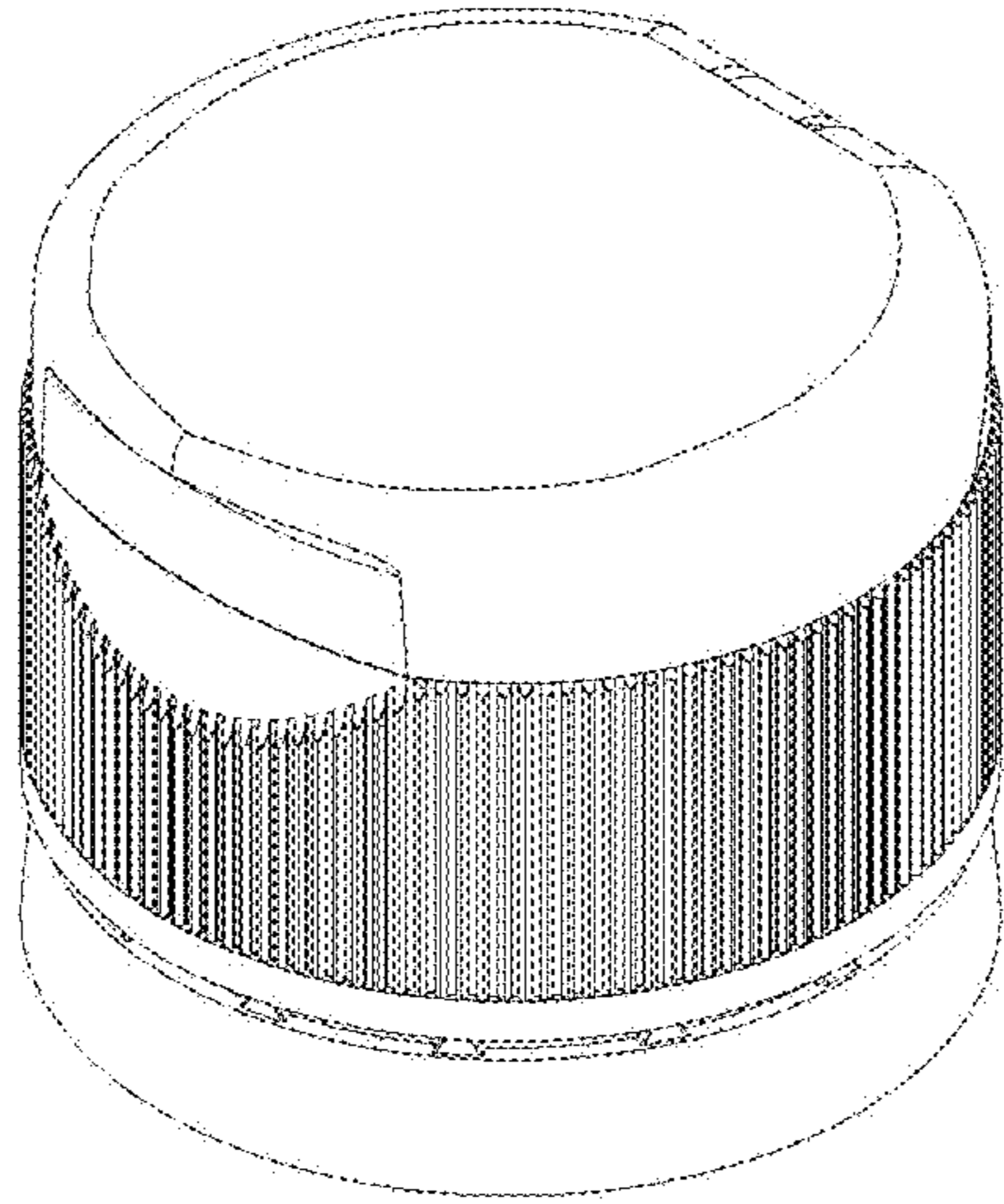


Fig. 1

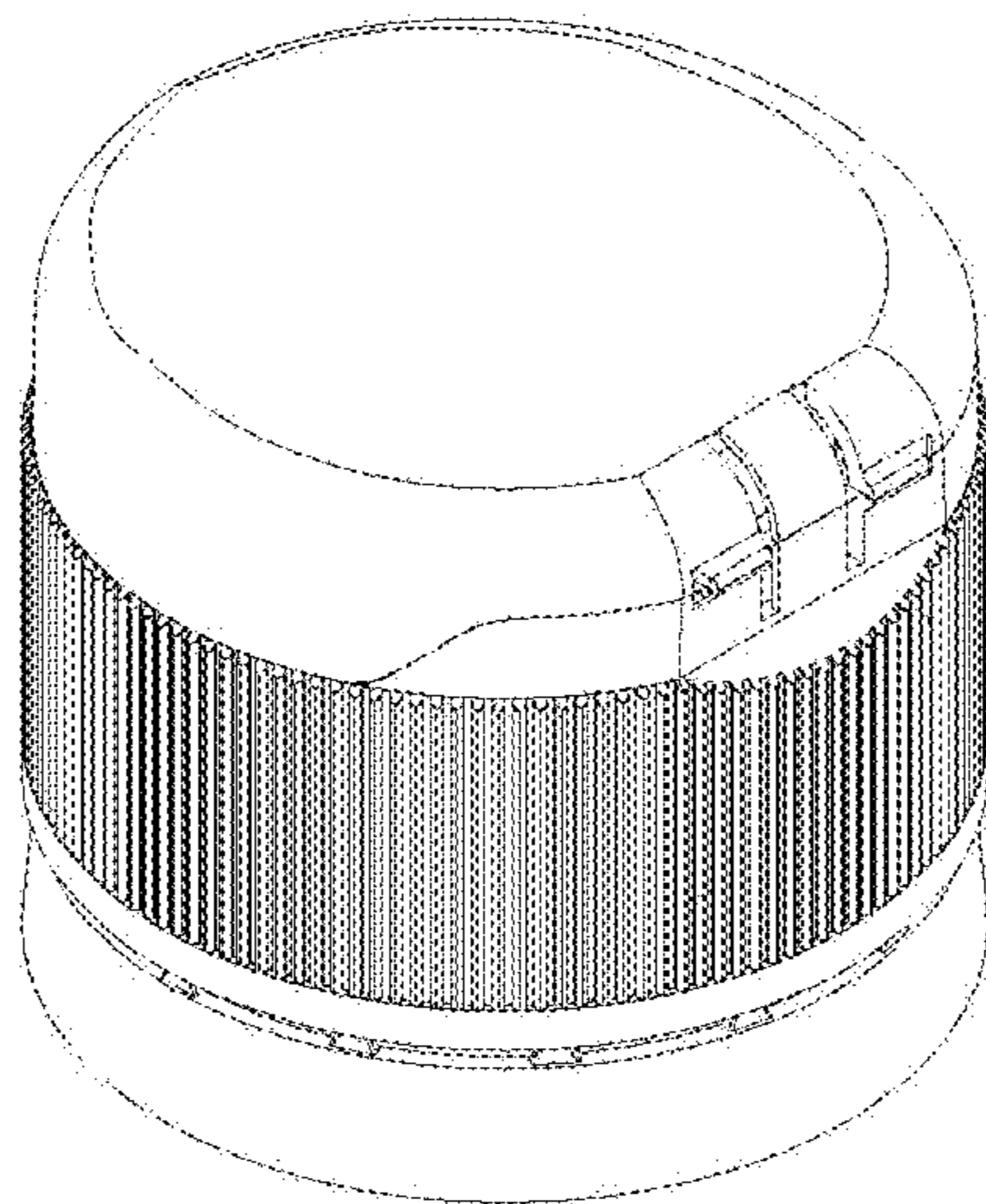


Fig. 2

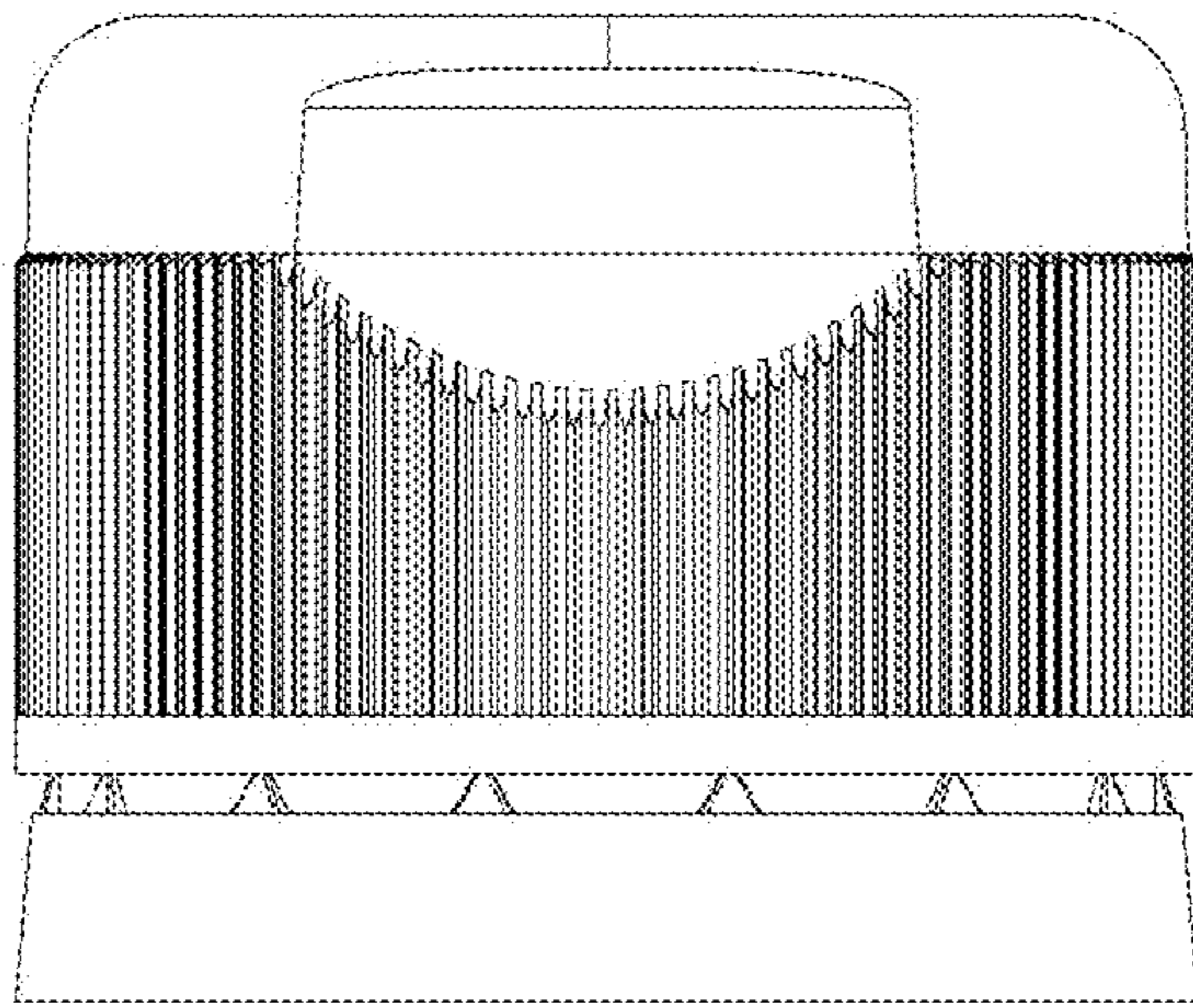


Fig. 3

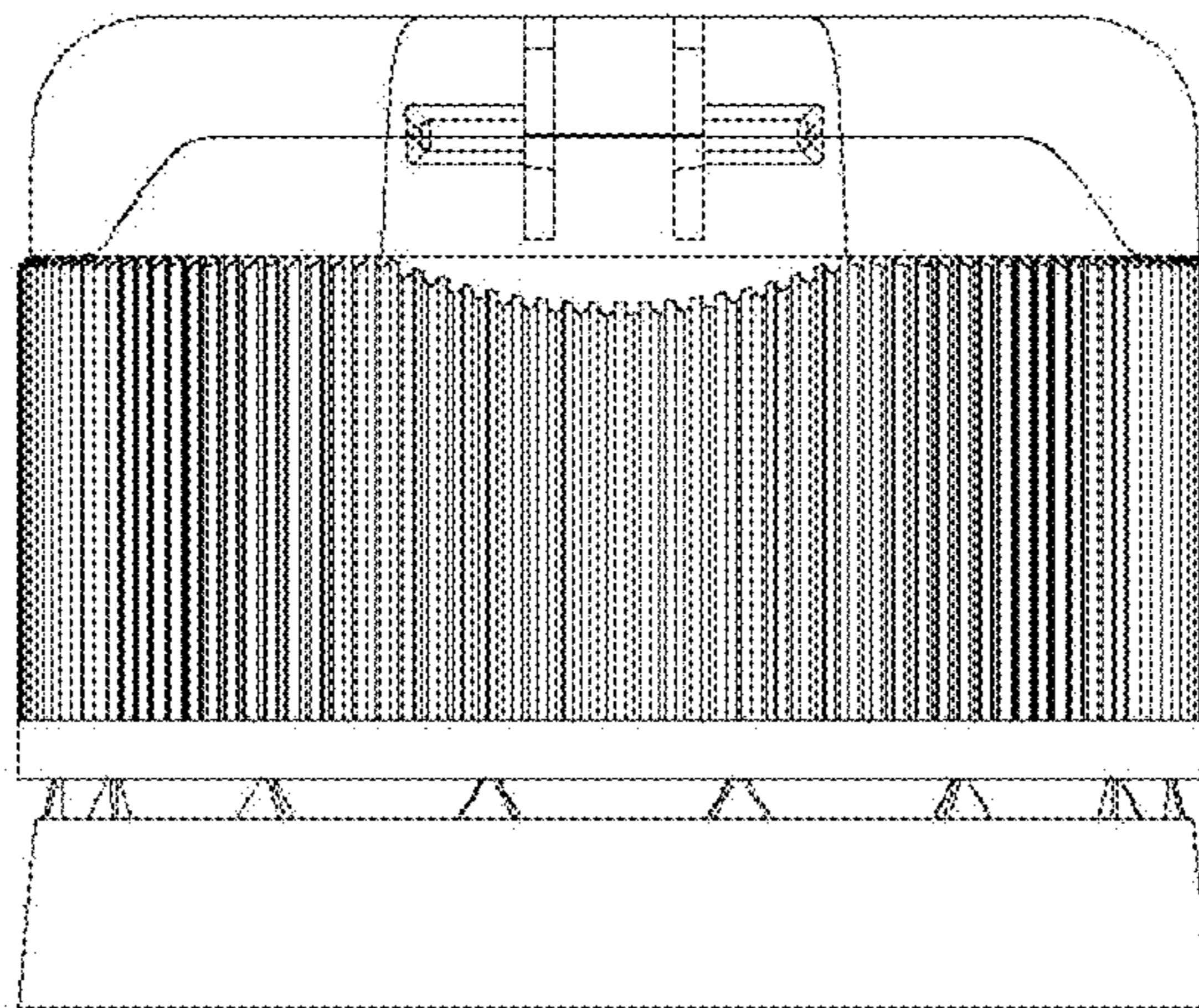


Fig. 4

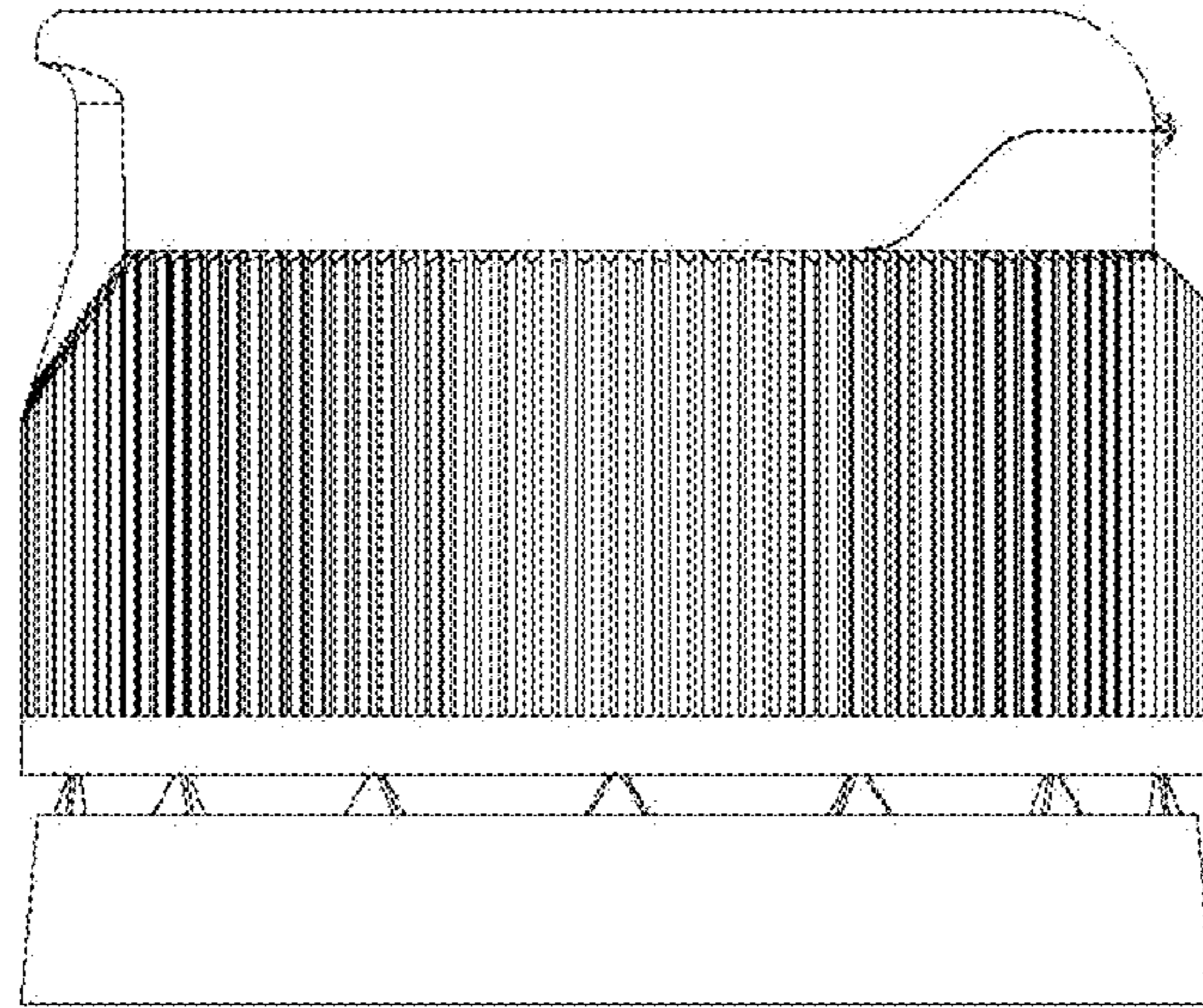


Fig. 5

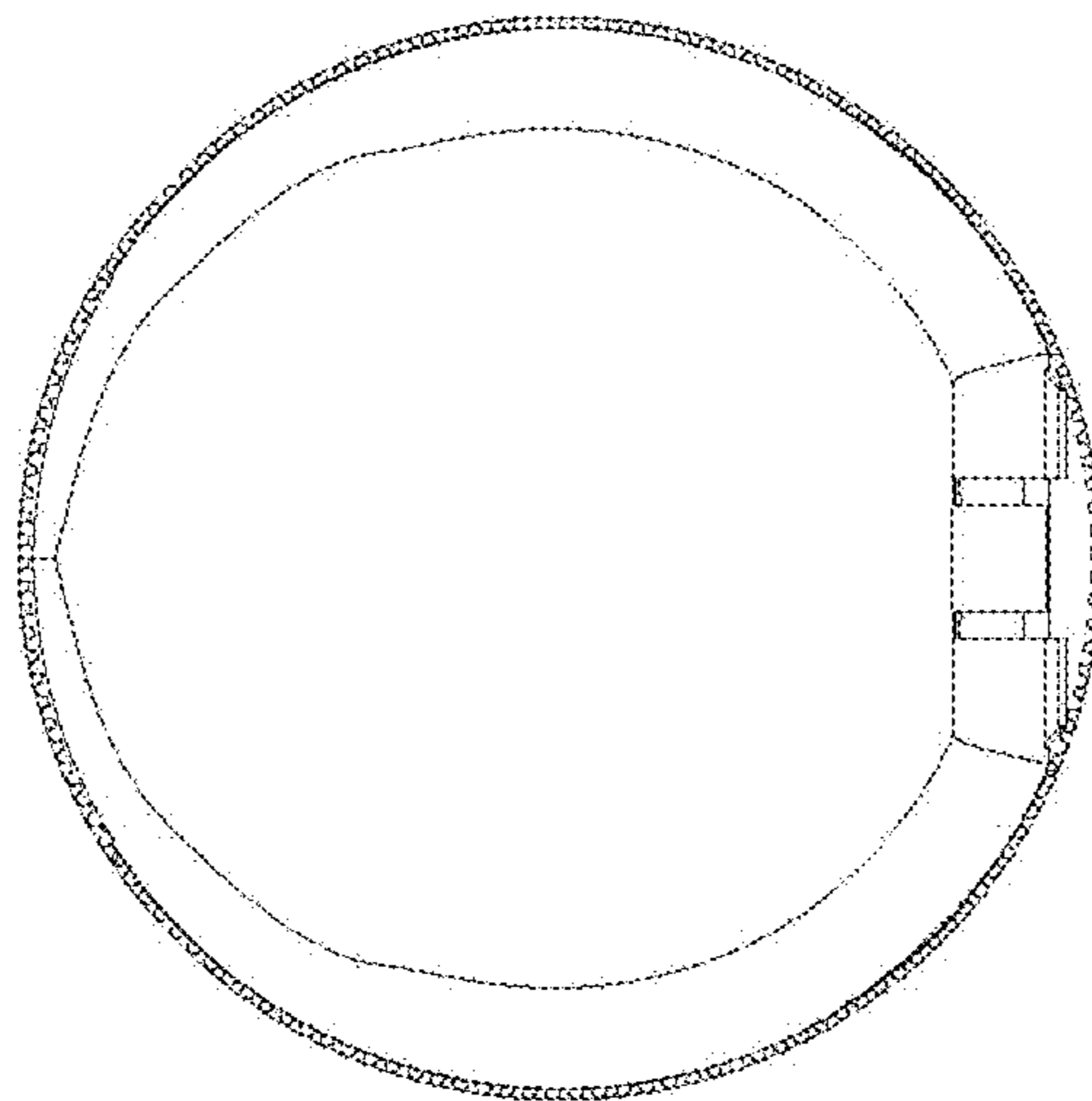


Fig. 6